



(12) **United States Design Patent**  
**DeChant**

(10) **Patent No.:** **US D730,646 S**  
(45) **Date of Patent:** **\*\* Jun. 2, 2015**

(54) **HORIZONTAL TRIFOLD CELL PHONE WALLET**

(71) Applicant: **Daniel A. DeChant**, Madison, WI (US)

(72) Inventor: **Daniel A. DeChant**, Madison, WI (US)

(\*\*) Term: **14 Years**

(21) Appl. No.: **29/449,461**

(22) Filed: **Mar. 15, 2013**

(51) **LOC (10) Cl.** ..... **03-01**

(52) **U.S. Cl.**  
USPC ..... **D3/247**

(58) **Field of Classification Search**  
USPC ..... D3/247, 249–253; 150/130–132,  
150/136–137, 147

See application file for complete search history.

(56) **References Cited**

**U.S. PATENT DOCUMENTS**

D13,040 S 7/1882 Brueck  
658,394 A \* 9/1900 Peters ..... 150/136

(Continued)

**FOREIGN PATENT DOCUMENTS**

CA 134785 10/2010  
DE 197428065 11/1974

(Continued)

*Primary Examiner* — Holly Baynham

(74) *Attorney, Agent, or Firm* — Michael Best & Friedrich LLP

(57) **CLAIM**

The ornamental design for a horizontal trifold cell phone wallet, as shown and described.

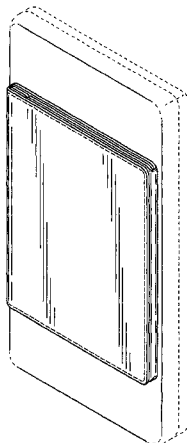
**DESCRIPTION**

FIG. 1 is a perspective view of a horizontal trifold cell phone wallet with interior slot pockets according to one embodiment showing my new design;

FIG. 2 is a front view thereof;  
FIG. 3 is a rear view thereof;  
FIG. 4 is a left side view thereof;  
FIG. 5 is a right side view thereof;  
FIG. 6 is a top view thereof;  
FIG. 7 is a bottom view thereof;  
FIG. 8 is a perspective view of the horizontal trifold cell phone wallet with interior slot pockets in an open condition;  
FIG. 9 is a front view thereof;  
FIG. 10 is a rear view thereof;  
FIG. 11 is a left side view thereof;  
FIG. 12 is a right side view thereof;  
FIG. 13 is a top view thereof;  
FIG. 14 is a bottom view thereof;  
FIG. 15 is a perspective view of the horizontal trifold cell phone wallet with interior slot pockets in a stand configuration;  
FIG. 16 is a front view thereof;  
FIG. 17 is a rear view thereof;  
FIG. 18 is a left side view thereof;  
FIG. 19 is a right side view thereof;  
FIG. 20 is a top view thereof;  
FIG. 21 is a bottom view thereof;  
FIG. 22 is a perspective view of a horizontal trifold cell phone wallet with an exterior slot pocket and interior slot pockets according to a second embodiment showing my new design;  
FIG. 23 is a front view thereof;  
FIG. 24 is a perspective view of the horizontal trifold cell phone wallet with an exterior slot pocket and interior slot pockets in an open condition;  
FIG. 25 is a front view thereof;  
FIG. 26 is a rear view thereof;  
FIG. 27 is a front view in a stand configuration; and  
FIG. 28 is a left side view.

The broken lines showing portions of a wallet are for the purposes of illustrating environment and form no part of the claimed design.

**1 Claim, 23 Drawing Sheets**



(56)

References Cited

U.S. PATENT DOCUMENTS

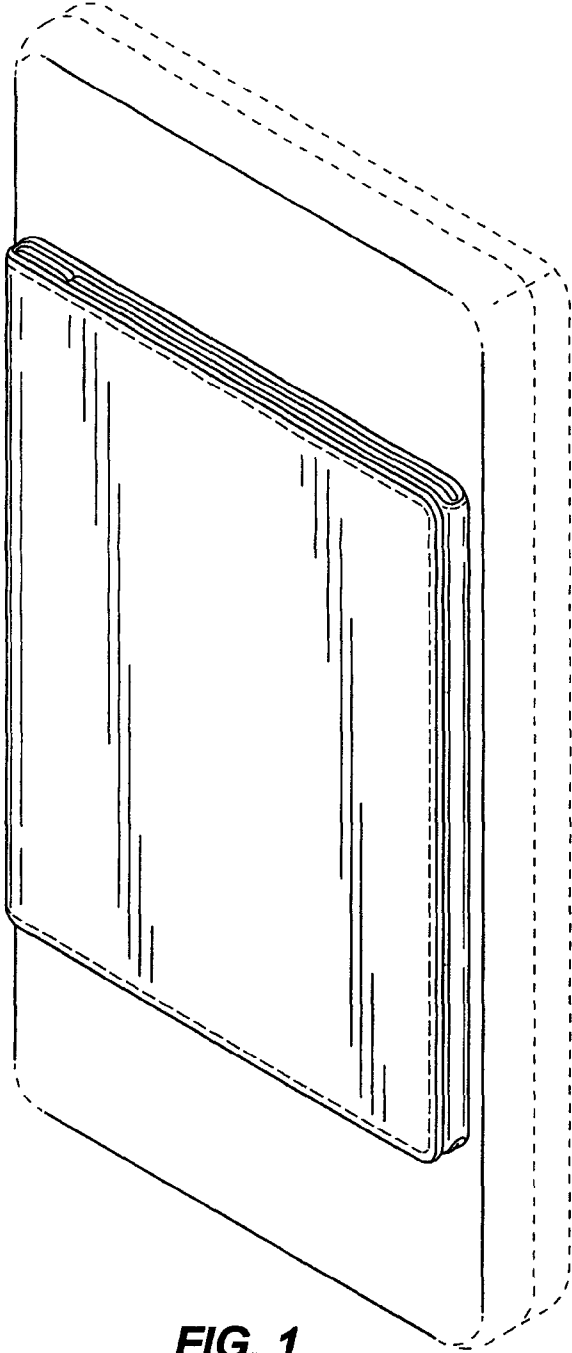
833,834 A \* 10/1906 Hille ..... 150/136  
 940,853 A \* 11/1909 Cardwell ..... 150/132  
 1,035,945 A \* 8/1912 Cardwell .....  
 1,035,946 A \* 8/1912 Cardwell ..... 150/137  
 1,073,768 A \* 9/1913 Loveland ..... 150/147  
 D45,677 S 4/1914 Shick .....  
 1,269,247 A \* 6/1918 Aslin ..... 150/132  
 1,582,492 A \* 4/1926 Tantlinger ..... 150/113  
 1,671,297 A 5/1928 L'Enfant .....  
 D101,819 S 11/1936 Miller .....  
 D112,415 S 11/1938 Zumft .....  
 D134,884 S 1/1943 Engelstein .....  
 D178,800 S 9/1956 McKinnon .....  
 D185,056 S 5/1959 Arkin .....  
 3,162,227 A \* 12/1964 Bakken ..... 150/136  
 3,370,777 A 2/1968 Levi .....  
 D255,509 S 6/1980 Nathan et al. ....  
 4,388,734 A 6/1983 Cowden .....  
 D279,423 S 7/1985 Zucker .....  
 4,705,086 A 11/1987 O'Neill .....  
 D308,887 S 6/1990 Wyant .....  
 4,942,913 A 7/1990 Musso .....  
 D311,815 S 11/1990 Balsley .....  
 D314,213 S 1/1991 Bishop .....  
 D334,588 S 4/1993 Okola .....  
 D340,355 S 10/1993 Little .....  
 D342,829 S 1/1994 Mitchell .....  
 D410,774 S 6/1999 Inbert .....  
 D434,899 S 12/2000 Kojoori .....  
 D435,339 S 12/2000 Cleveland .....  
 D435,340 S 12/2000 Kojoori .....  
 6,427,836 B1 8/2002 Bolanos .....  
 D471,704 S 3/2003 Moore .....  
 D510,596 S 10/2005 Ong .....

D527,899 S 9/2006 Morehead .....  
 7,204,398 B1 4/2007 Smith, Sr. ....  
 D551,446 S 9/2007 Elnekaveh .....  
 7,496,971 B2 3/2009 Soto .....  
 D594,656 S 6/2009 Wills .....  
 D608,092 S 1/2010 Holzner et al. ....  
 D619,806 S 7/2010 Franks .....  
 D633,714 S 3/2011 Marshall .....  
 8,047,364 B2 11/2011 Longinotti-Buitoni .....  
 8,833,379 B1 9/2014 Kaplan .....  
 2005/0126667 A1 6/2005 Bell .....  
 2007/0057004 A1 3/2007 Butler et al. ....  
 2007/0232372 A1 10/2007 Plaster .....  
 2007/0262112 A1 11/2007 Butler et al. ....  
 2008/0006355 A1 1/2008 Gomez Micone .....  
 2008/0121322 A1 5/2008 Thomson .....  
 2009/0050686 A1 2/2009 Kon et al. ....  
 2009/0194571 A1 8/2009 Evans .....  
 2011/0030860 A1 2/2011 Allen et al. ....  
 2011/0057034 A1 3/2011 Maxwell .....  
 2011/0277892 A1 11/2011 Black .....  
 2012/0043234 A1 2/2012 Westrup .....  
 2012/0050968 A1 3/2012 Child et al. ....  
 2012/0168483 A1 7/2012 Jambunathan et al. ....  
 2013/0140203 A1 6/2013 Chiang .....

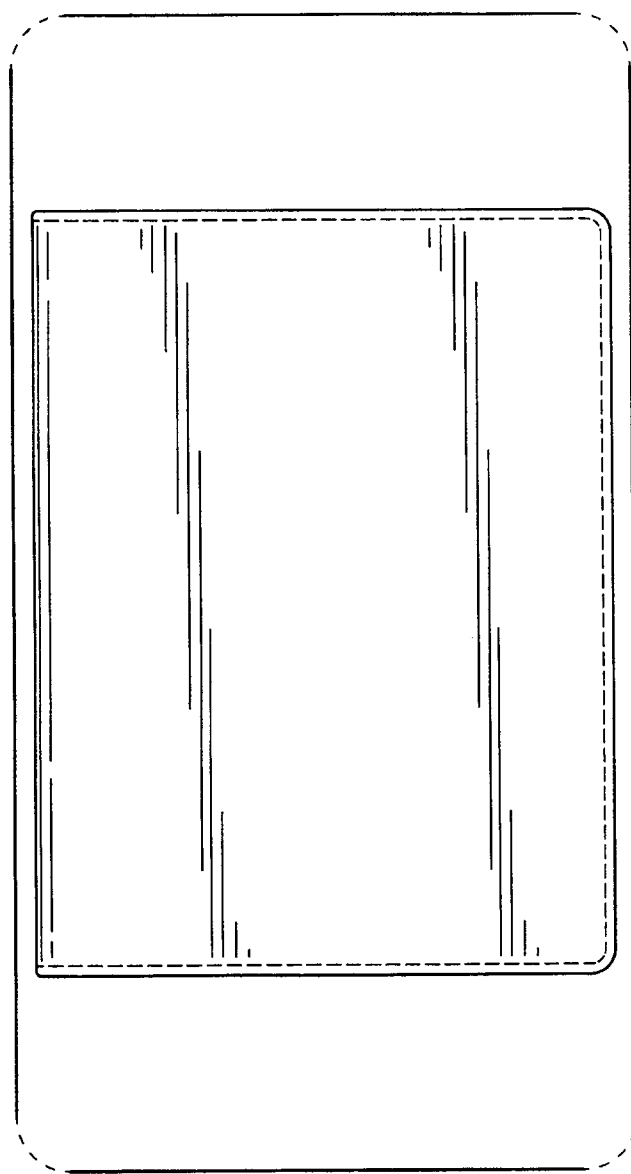
FOREIGN PATENT DOCUMENTS

DE 199107205 7/1991  
 GB 2145622 4/1985  
 GB 2070518 11/1997  
 GB 4019846 5/2011  
 KR 300268261 12/2000  
 WO D073447 3/2010  
 WO 2012087152 6/2012

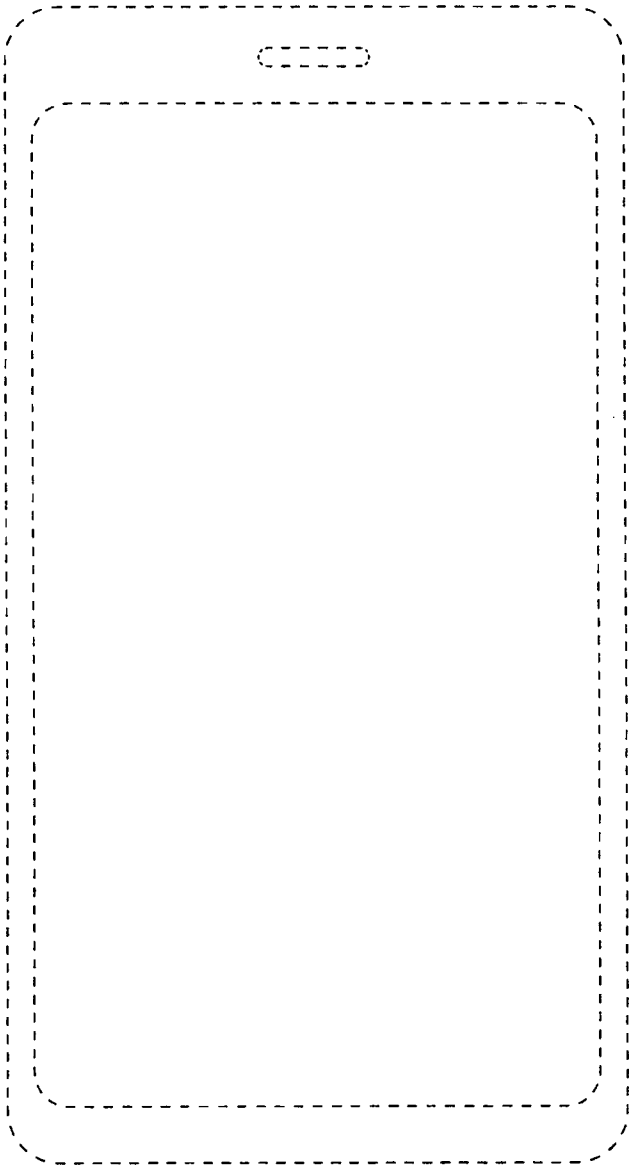
\* cited by examiner



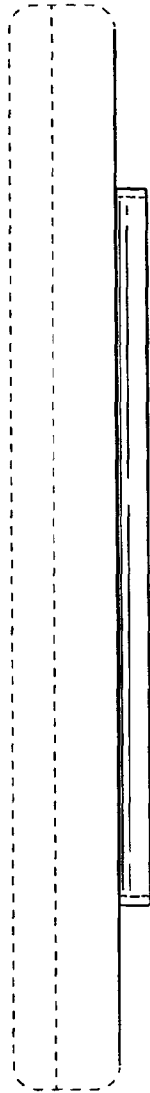
**FIG. 1**



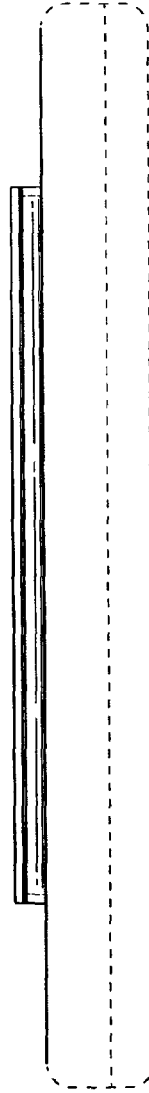
**FIG. 2**



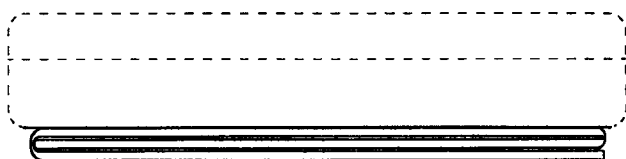
**FIG. 3**



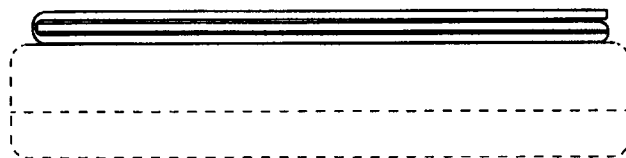
**FIG. 4**



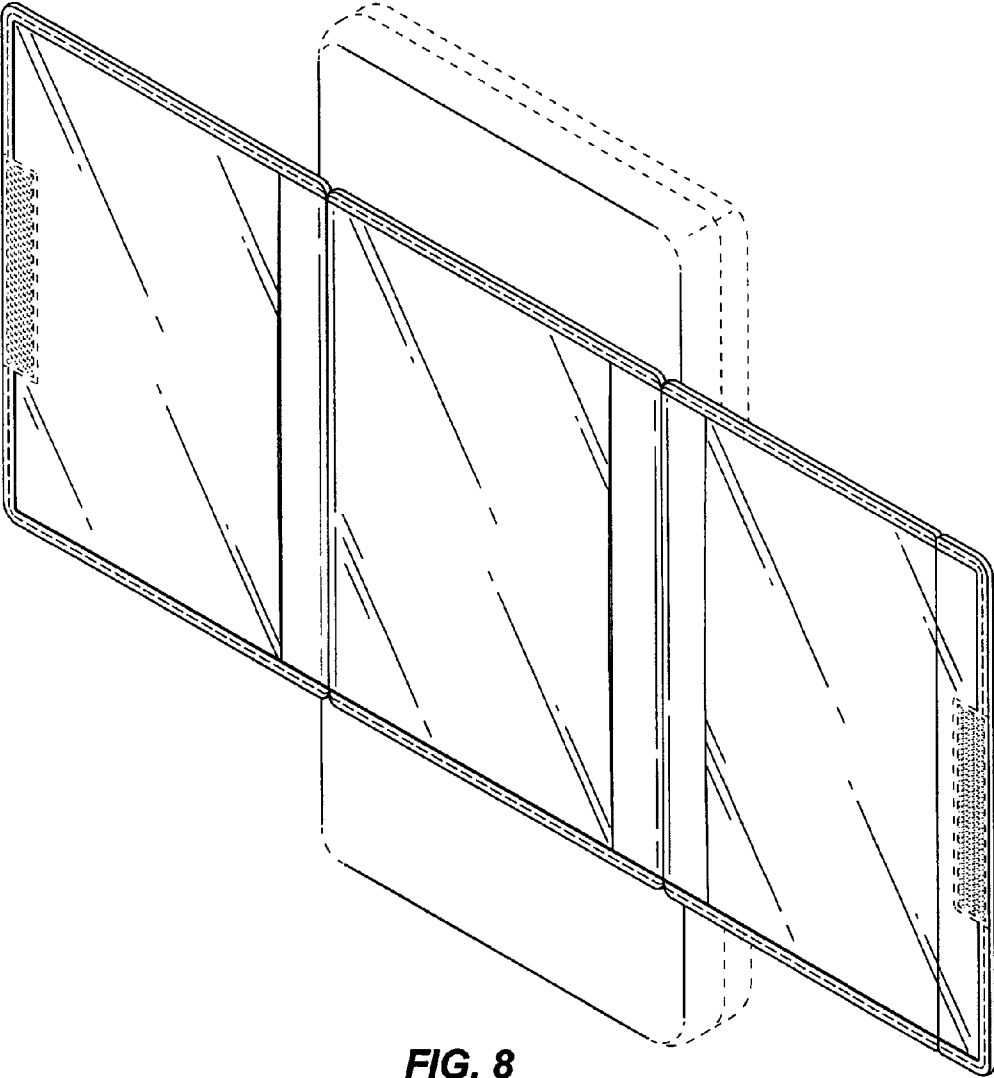
**FIG. 5**



**FIG. 6**



**FIG. 7**



**FIG. 8**

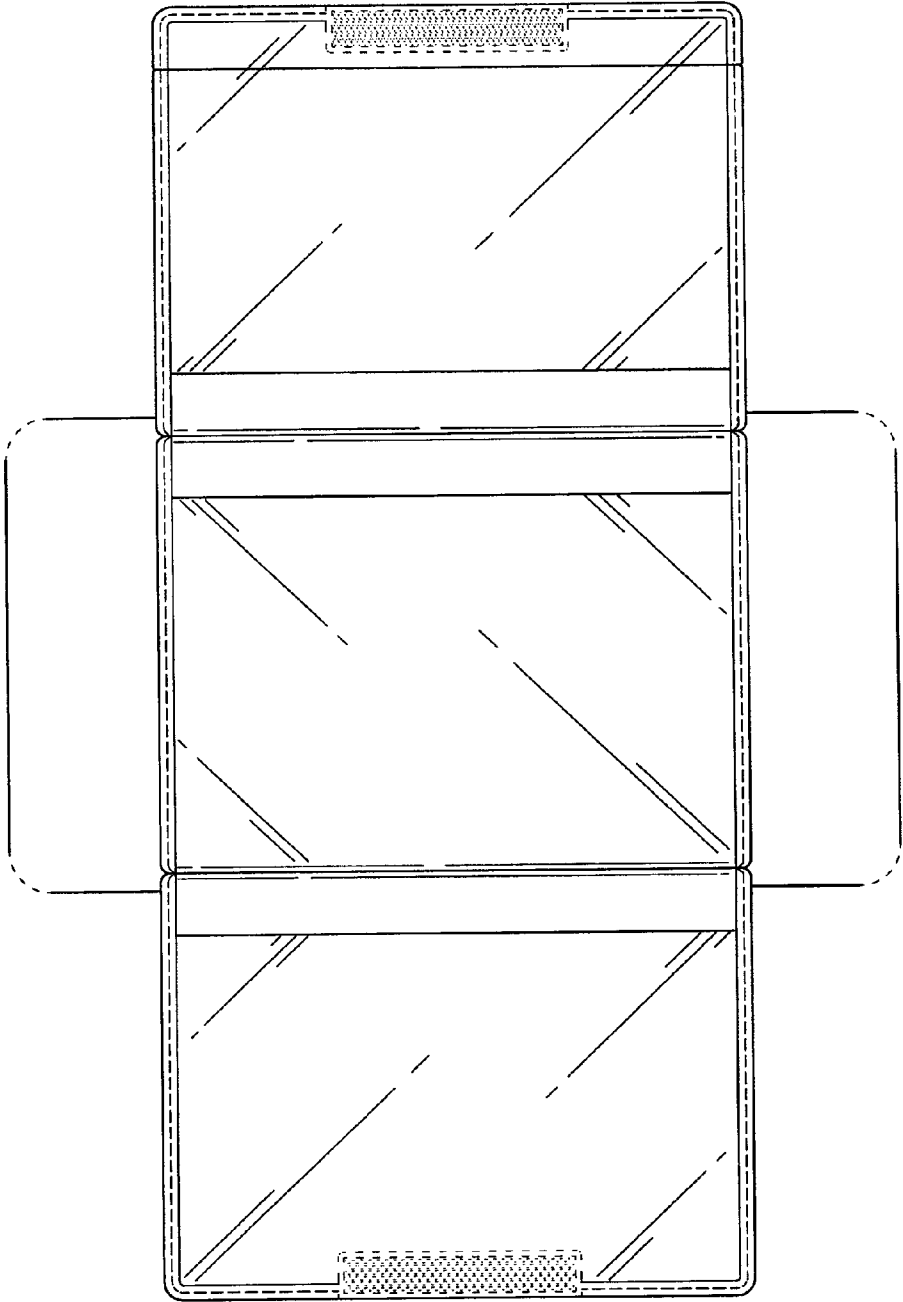


FIG. 9

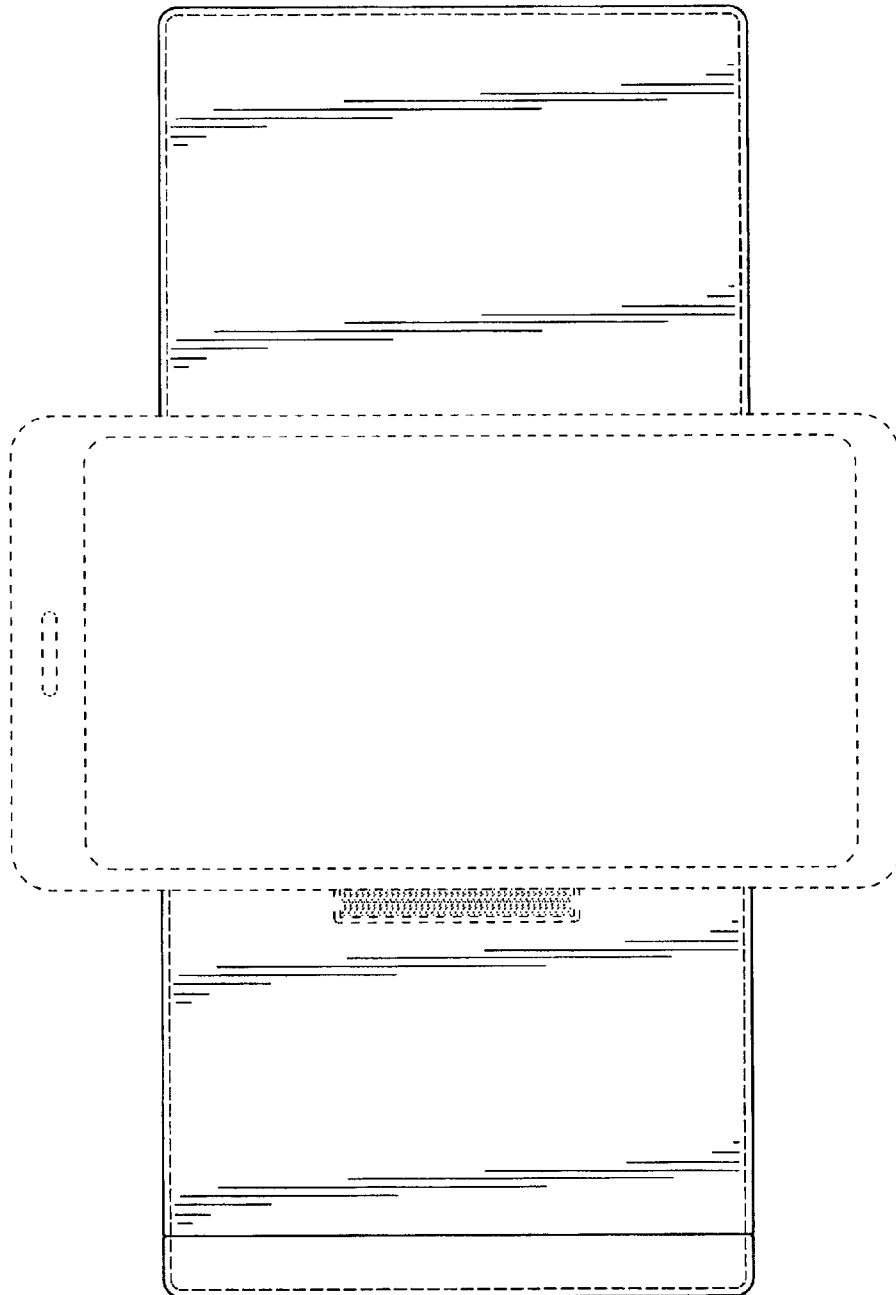
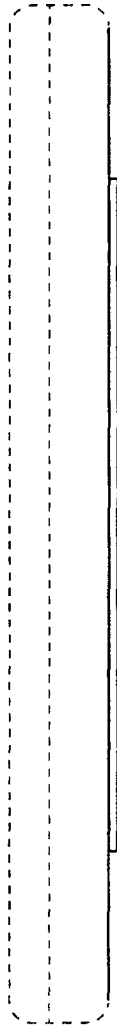
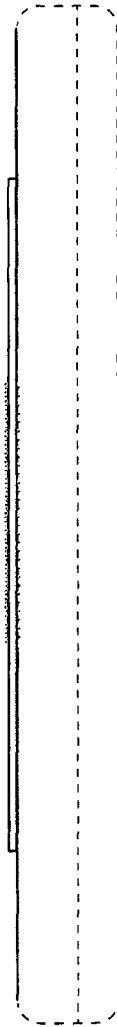


FIG. 10



**FIG. 11**



**FIG. 12**

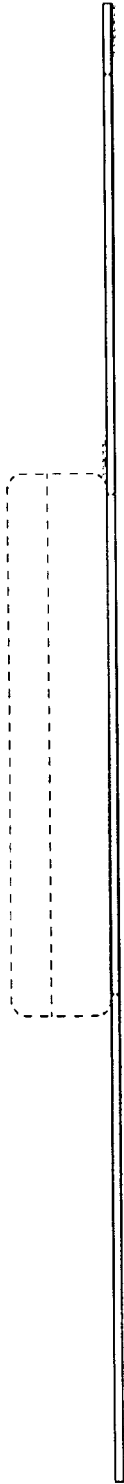


FIG. 13

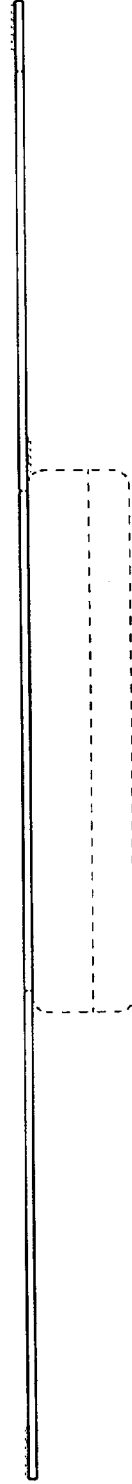


FIG. 14

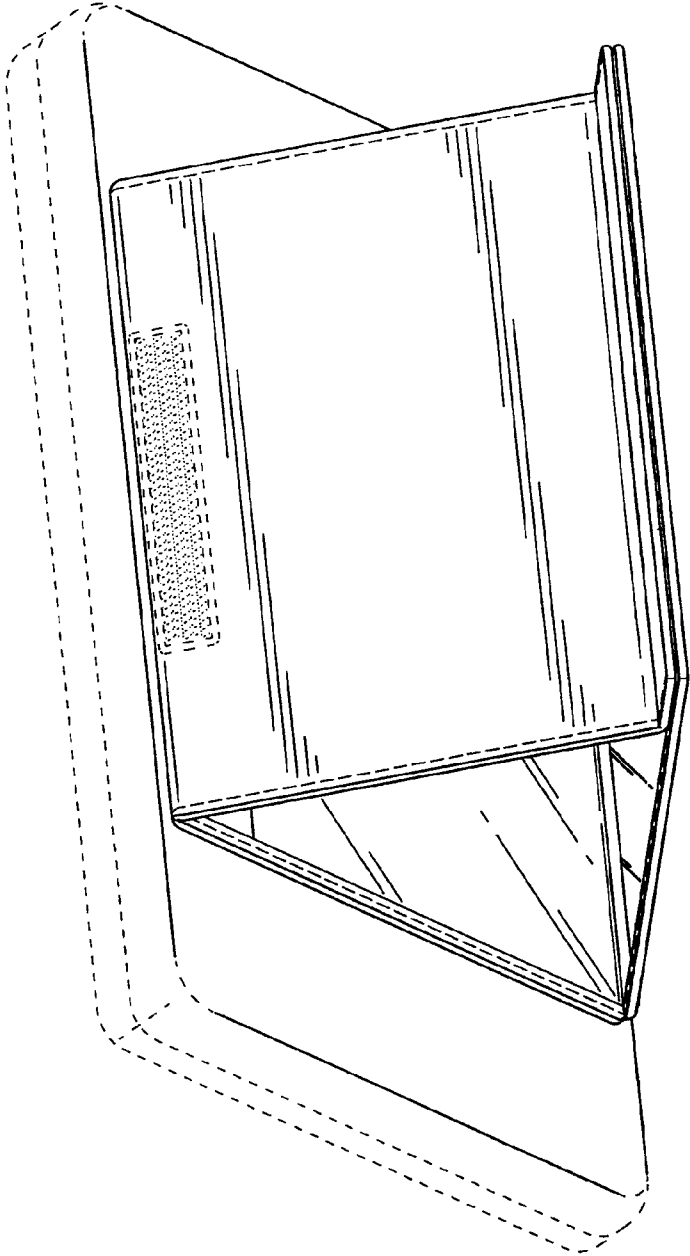
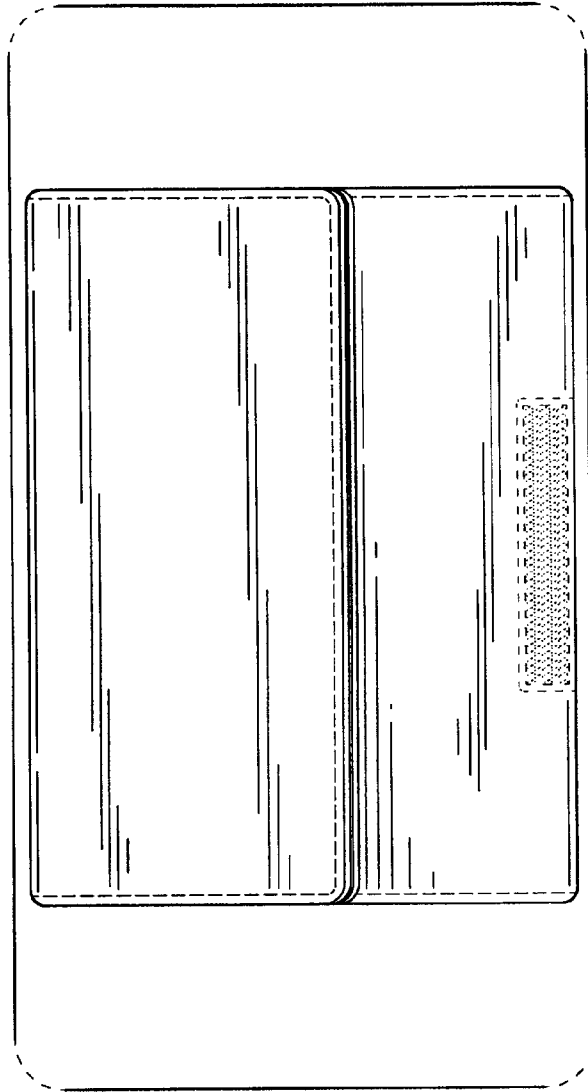
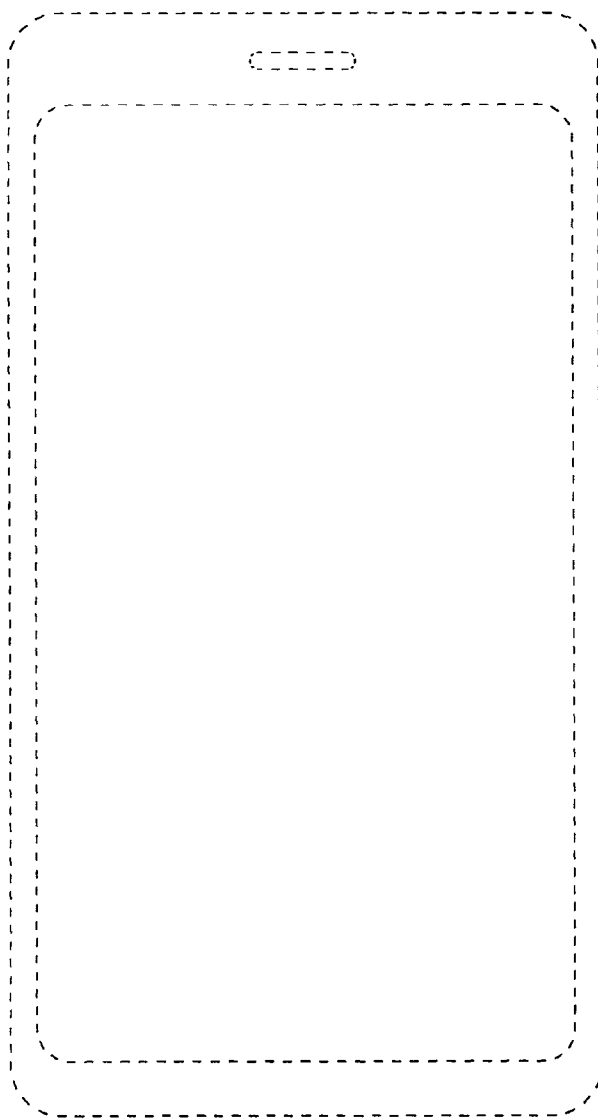


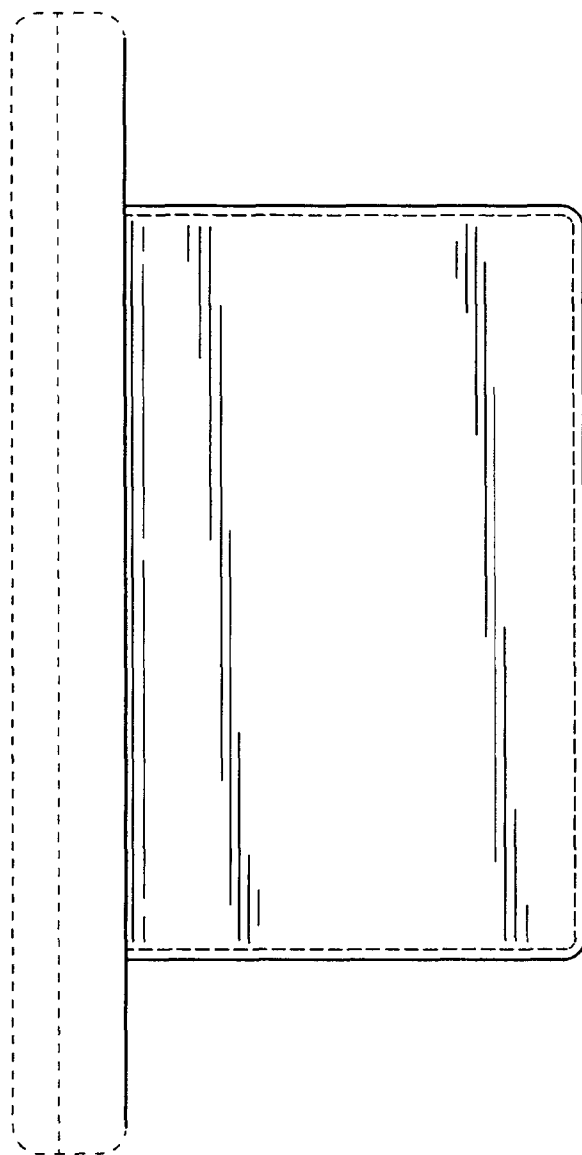
FIG. 15



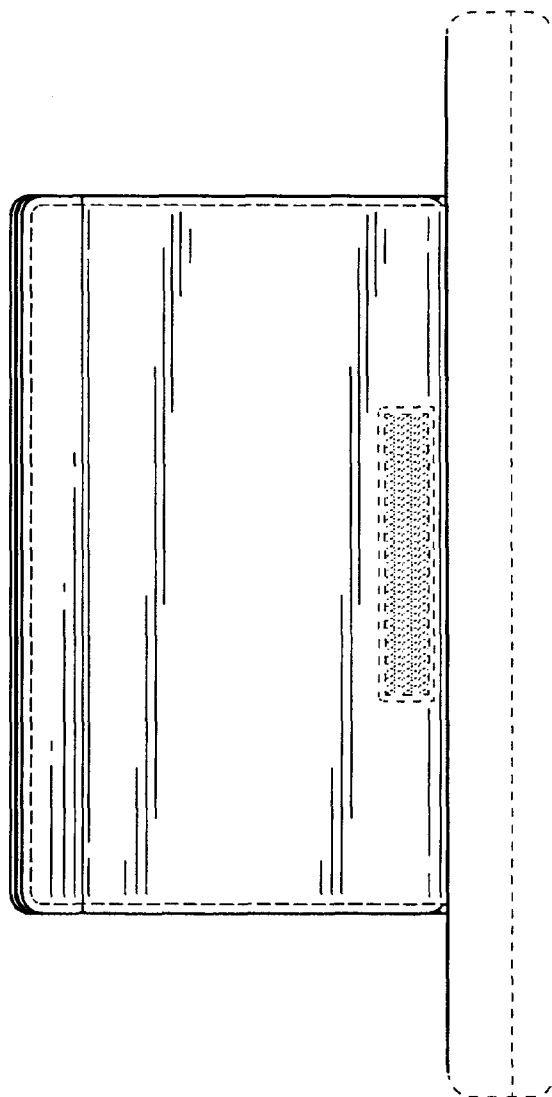
**FIG. 16**



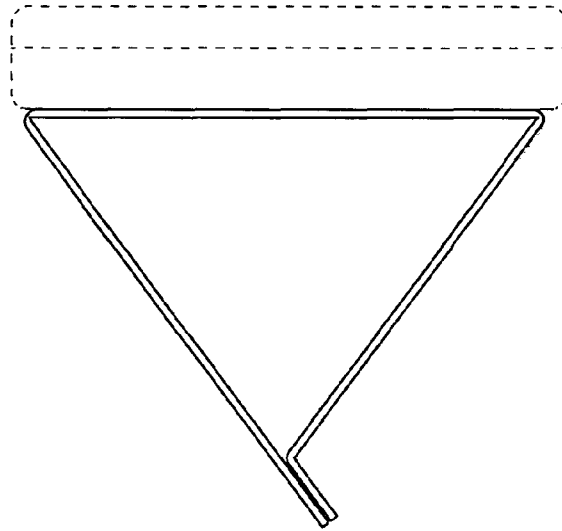
**FIG. 17**



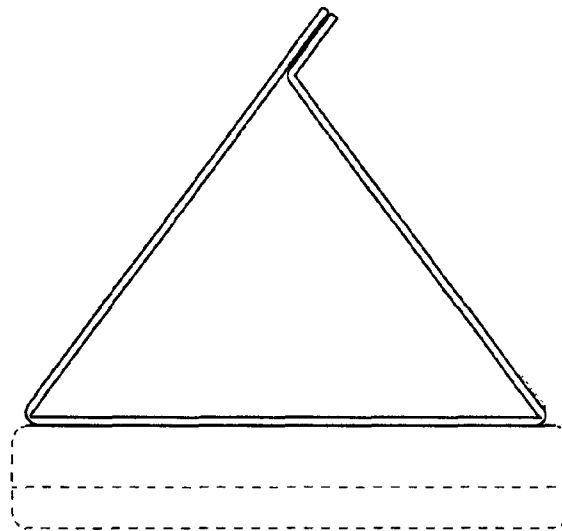
**FIG. 18**



**FIG. 19**



**FIG. 20**



**FIG. 21**

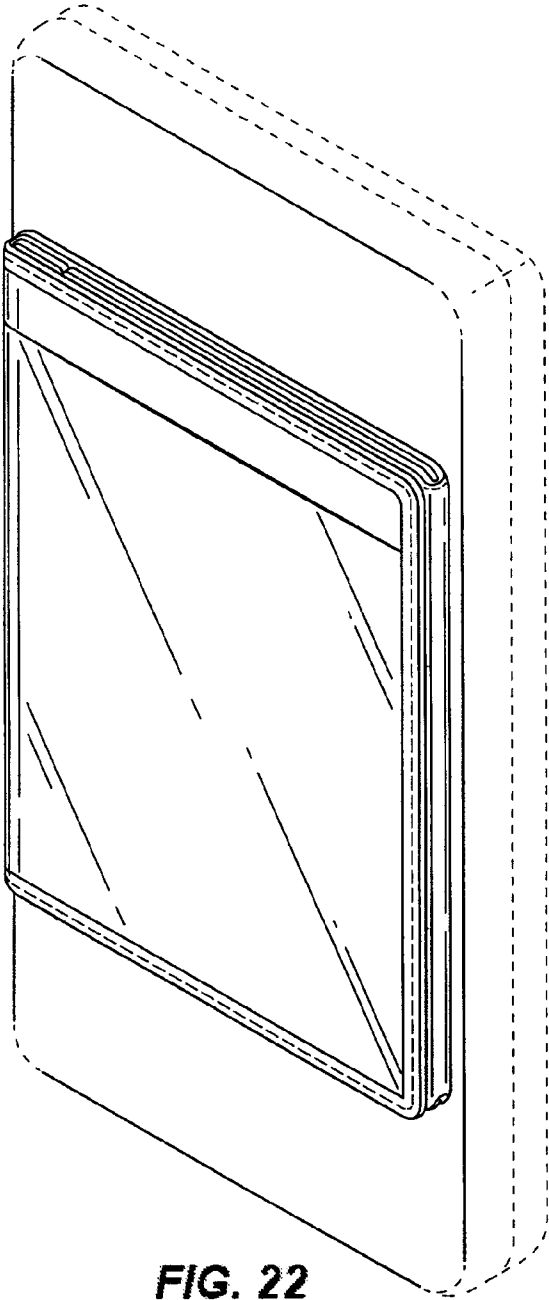


FIG. 22

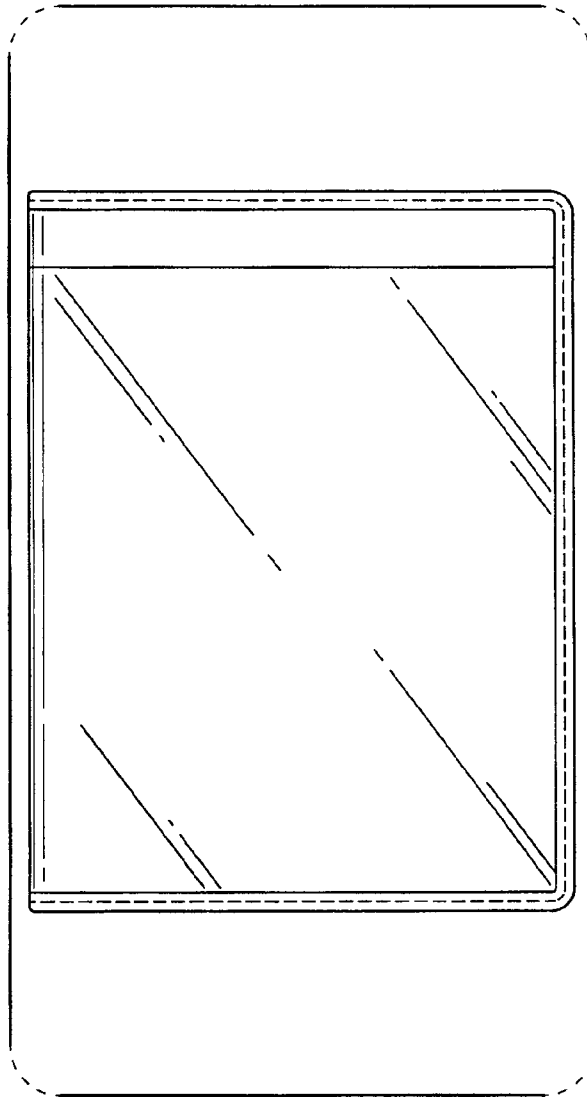


FIG. 23

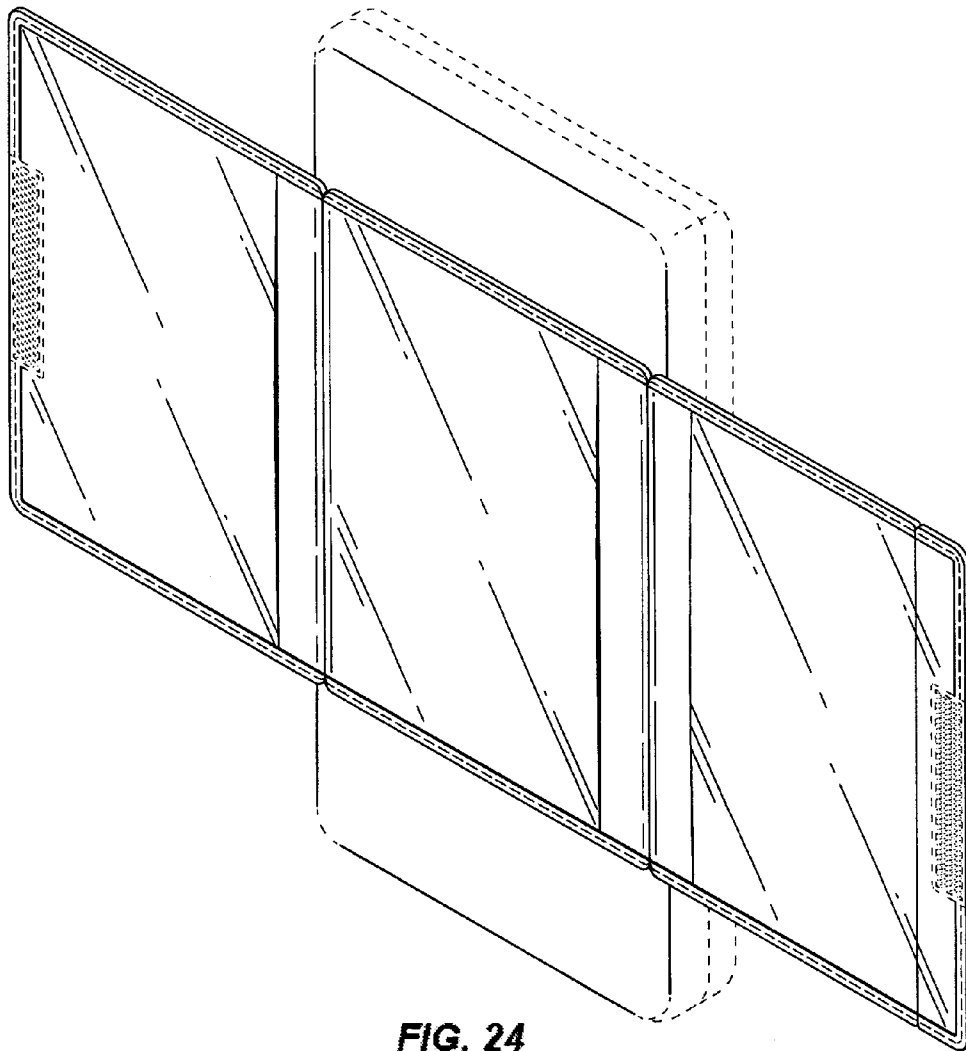


FIG. 24

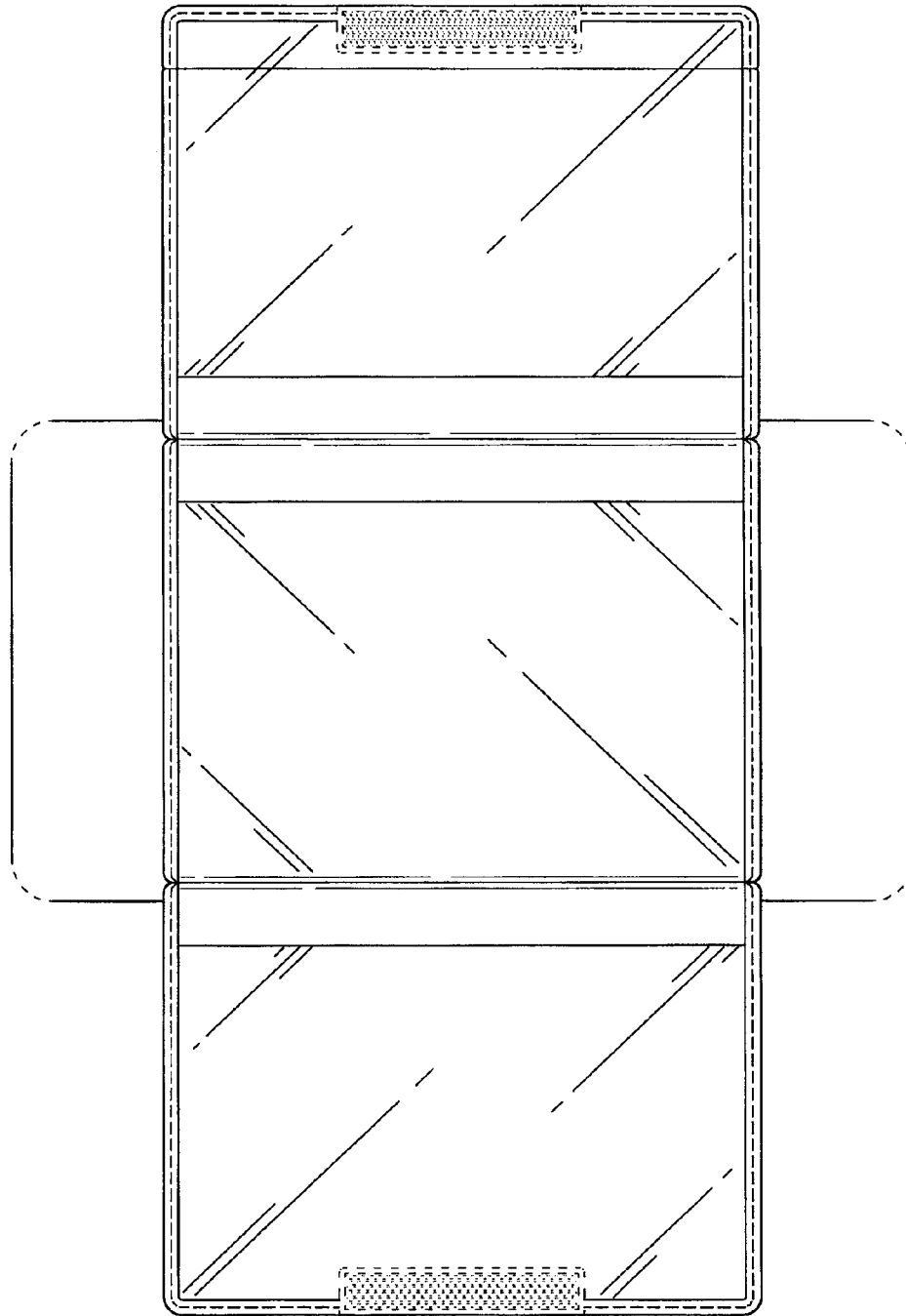


FIG. 25

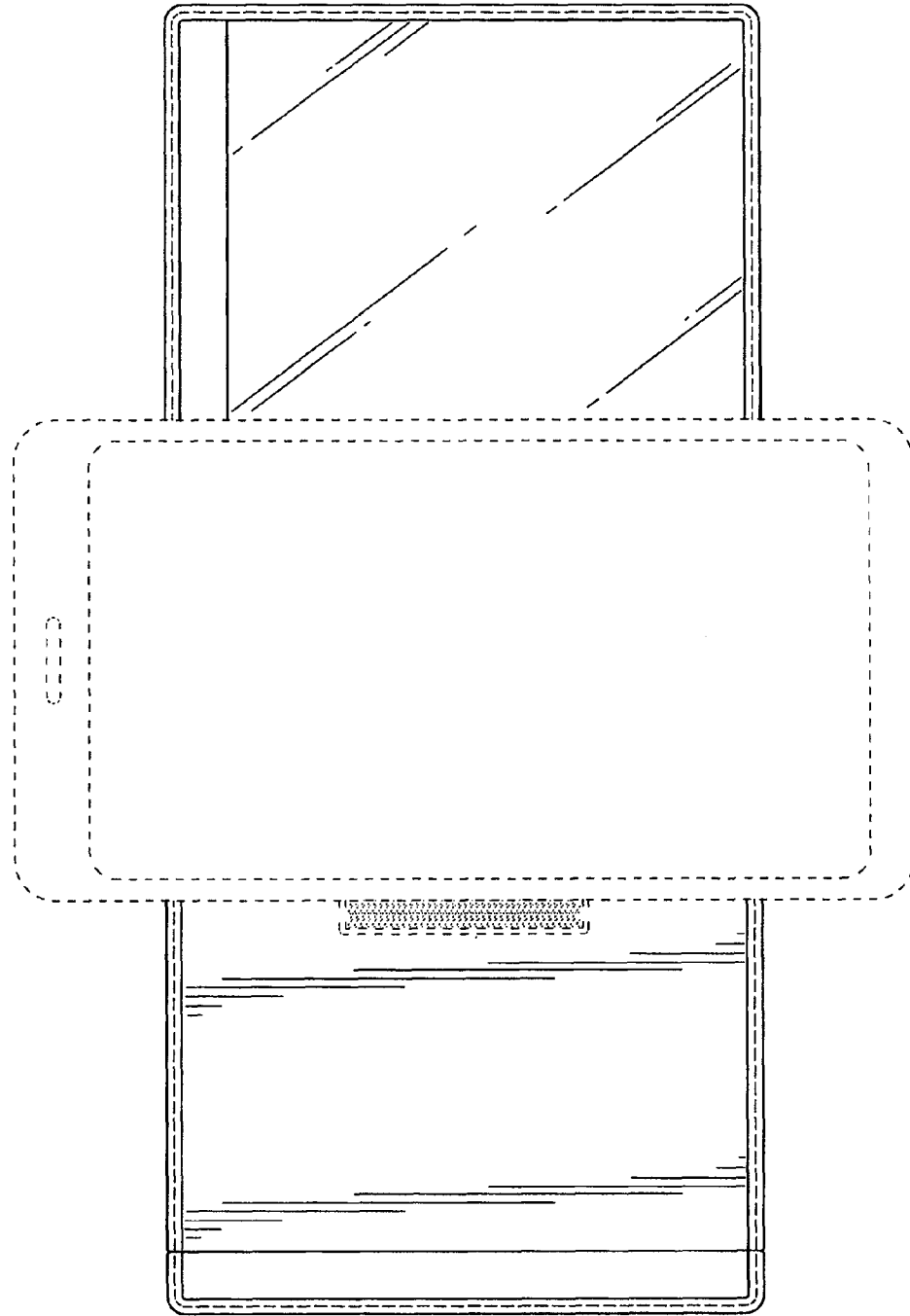
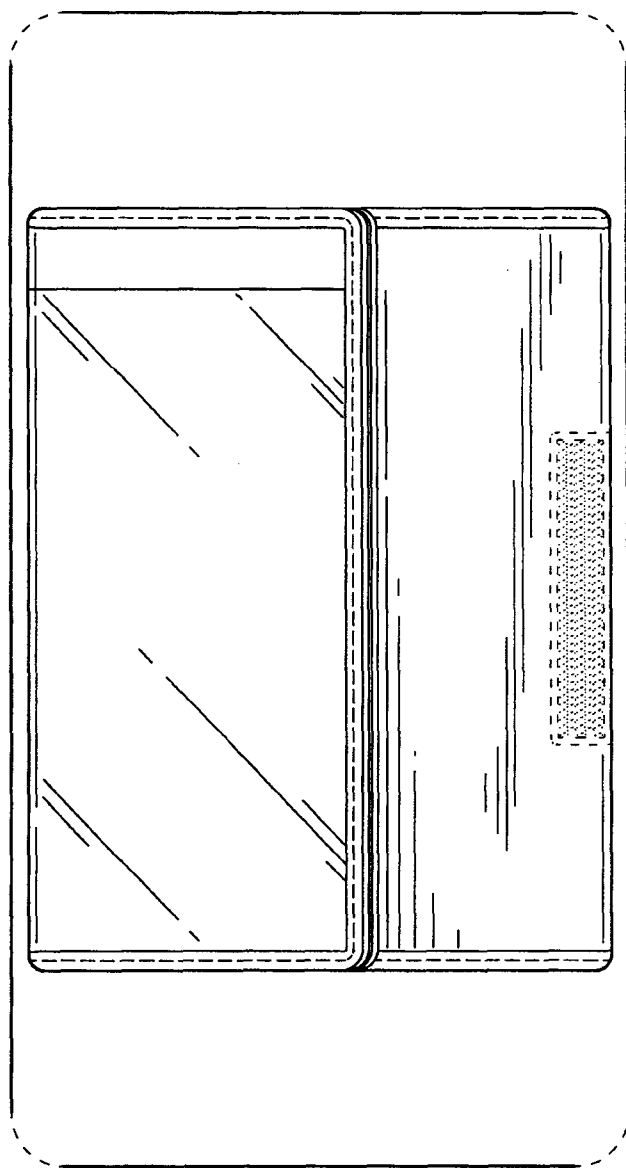
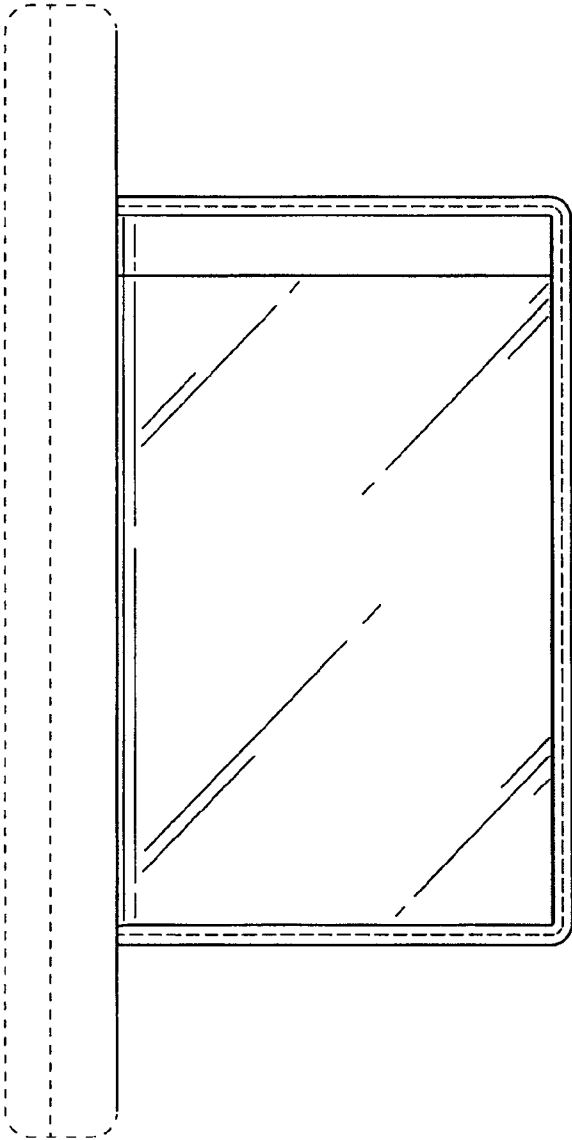


FIG. 26



**FIG. 27**



**FIG. 28**