



US0D1053312S

(12) **United States Design Patent**
Lin et al.

(10) **Patent No.:** **US D1,053,312 S**

(45) **Date of Patent:** **** Dec. 3, 2024**

(54) **FAUCET KIT**
(71) Applicant: **XIAMEN LOTA INTERNATIONAL CO., LTD.**, Xiamen (CN)
(72) Inventors: **Zhiheng Lin**, Xiamen (CN); **Yanping Yang**, Xiamen (CN); **Fahong Chen**, Xiamen (CN); **Yunlong Xie**, Xiamen (CN); **Liming Ye**, Xiamen (CN); **Chuanbao Zhu**, Xiamen (CN)

6,619,567 B1 * 9/2003 Ouyoung E03C 1/0404
239/443
D529,137 S * 9/2006 Chu D23/242
D755,932 S * 5/2016 Fritz D23/242
D810,878 S * 2/2018 Garland D23/242
D820,409 S * 6/2018 Zeng D23/242
D913,449 S * 3/2021 Bahler D23/242
D913,450 S * 3/2021 Bahler D23/242
D955,529 S * 6/2022 Kuang D23/241

(Continued)

FOREIGN PATENT DOCUMENTS

(73) Assignee: **XIAMEN LOTA INTERNATIONAL CO., LTD.**, Xiamen (CN)

CN 200830210423 * 10/2008

(**) Term: **15 Years**

OTHER PUBLICATIONS

(21) Appl. No.: **29/871,154**

Amazon, Kingston Brass Concord Faucet, posted Aug. 9, 2012, [online], [visited Aug. 29, 2024]. Internet, <URL: <https://www.amazon.co.uk/Kingston-Ks8791D1-Concord-Handles-Matching/dp/B001TA7UEE/ref>> (Year: 2012).*

(22) Filed: **Feb. 13, 2023**

(Continued)

(30) **Foreign Application Priority Data**

Nov. 22, 2022 (CN) 202230778939.6

Primary Examiner — Samantha Wood

(51) **LOC (14) Cl.** **23-01**

(52) **U.S. Cl.** **D23/239; D23/241**

(58) **Field of Classification Search**

USPC D23/238, 239, 240, 241, 242, 243, 244, D23/245, 246, 247, 249, 250, 251, 252, D23/253, 254, 255, 256, 257, 258
CPC E03C 1/00; E03C 1/01; E03C 1/02; E03C 1/023; E03C 1/04; E03C 1/0401; E03C 1/0403; E03C 1/0404; E03C 1/0405; E03C 1/0412; E03C 1/05; E03C 1/042
See application file for complete search history.

(57)

CLAIM

The ornamental design for a faucet kit as shown and described.

DESCRIPTION

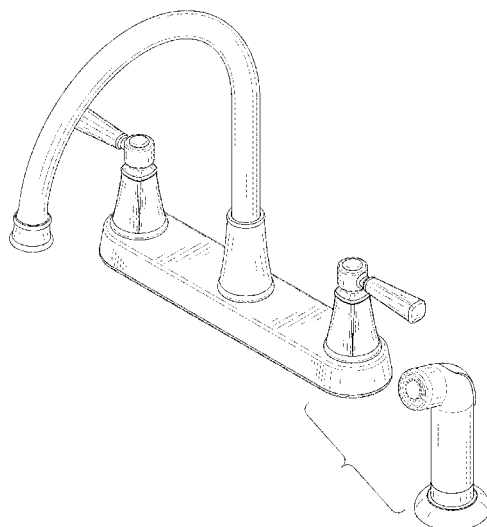
FIG. 1 is a perspective view of a faucet kit showing our new design;
FIG. 2 is another perspective view thereof;
FIG. 3 is a front elevational view thereof;
FIG. 4 is a rear elevational view thereof;
FIG. 5 is a left side elevational view thereof;
FIG. 6 is a right side elevational view thereof;
FIG. 7 is a top plan view thereof; and,
FIG. 8 is a bottom plan view thereof.
The broken lines in the drawings depict portions of the faucet kit that form no part of the claimed design.

(56) **References Cited**

U.S. PATENT DOCUMENTS

D288,837 S * 3/1987 Yost D23/243
D321,750 S * 11/1991 Spangler D23/241
D374,478 S * 10/1996 Doughty D23/242
D418,578 S * 1/2000 Warshawsky D23/241

1 Claim, 8 Drawing Sheets



(56)

References Cited

U.S. PATENT DOCUMENTS

D963,805	S	*	9/2022	Liao	D23/242
D965,113	S	*	9/2022	Lin	D23/242
D969,974	S	*	11/2022	Garland	D23/242
D984,591	S	*	4/2023	Yang	D23/242
D1,030,974	S	*	6/2024	Xie	D23/242

OTHER PUBLICATIONS

Amazon, Design House Widespread faucet, posted Aug. 29, 2013, [online], [visited Aug. 29, 2024]. Internet, <URL: <https://www.amazon.co.uk/Design-House-523241-Oakmont-2-Handle/dp/B00AU8Z7FK/ref>> (Year: 2013).*

Amazon, Gowin Kitchen Faucet, posted Jul. 22, 2022, [online], [visited Aug. 29, 2024]. Internet, <URL: <https://www.amazon.com/GOWIN-2-Handle-Centerset-Stainless-Farmhouse/dp/B0B79GV3LP/ref?th=1>> (Year: 2022).*

Amazon, Glacier Bay Melina Faucet, posted May 4, 2022, [online], [visited Sep. 4, 2024]. Internet, <URL: <https://www.amazon.com/Glacier-Bay-Melina-Faucet-Brushed/dp/B09ZK1QG2S/ref>> (Year: 2022).*

* cited by examiner

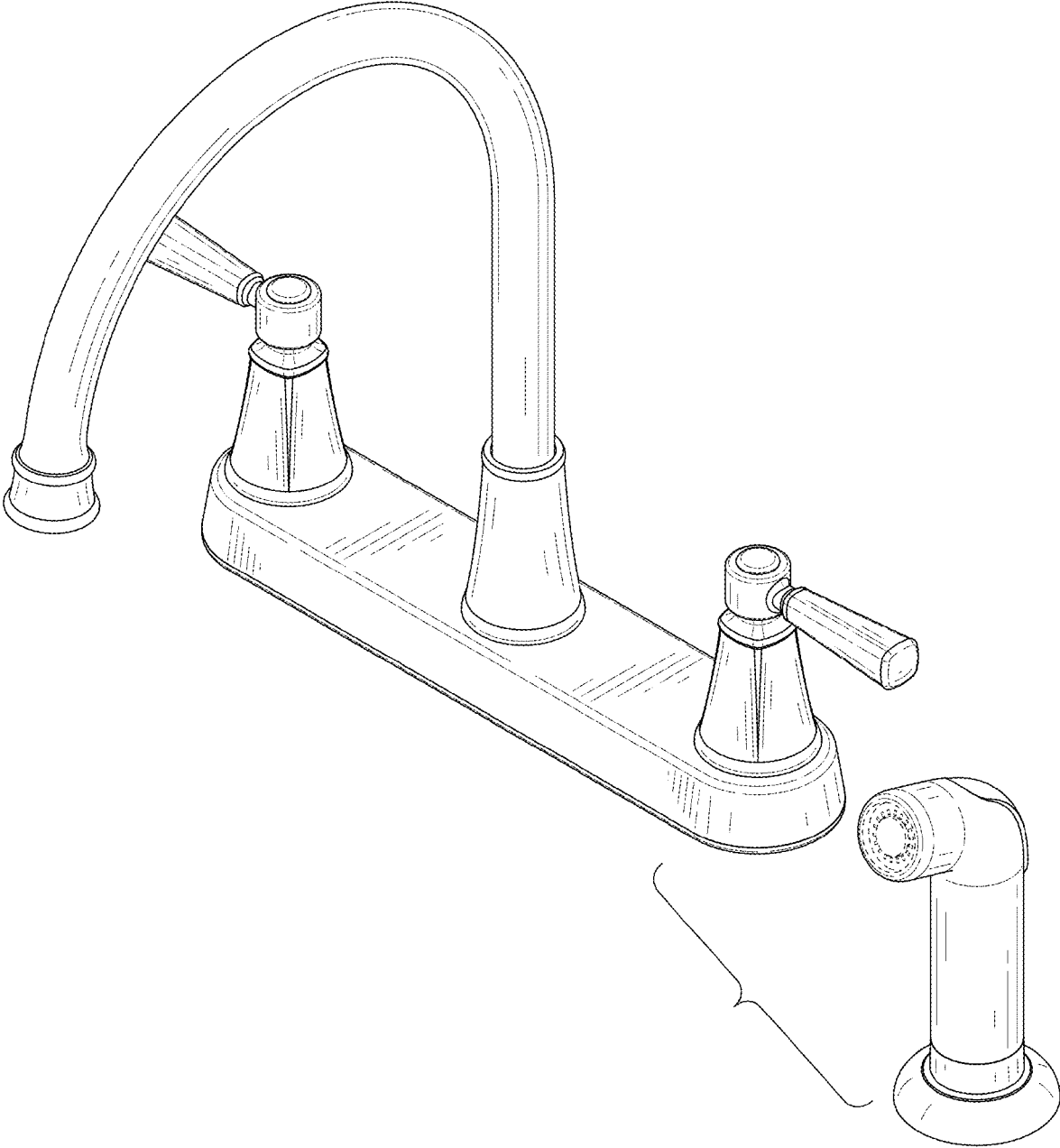


FIG. 1

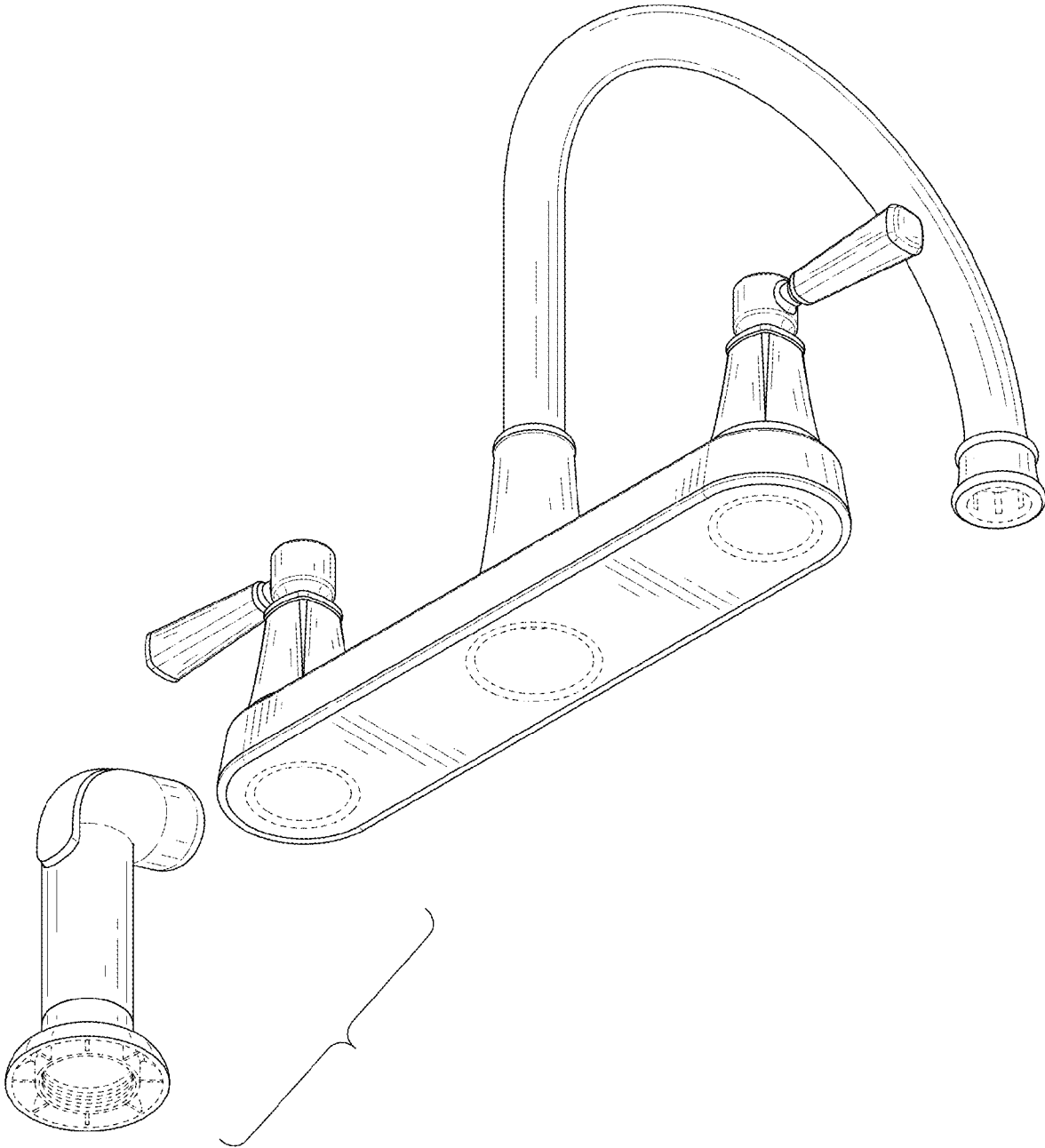


FIG. 2

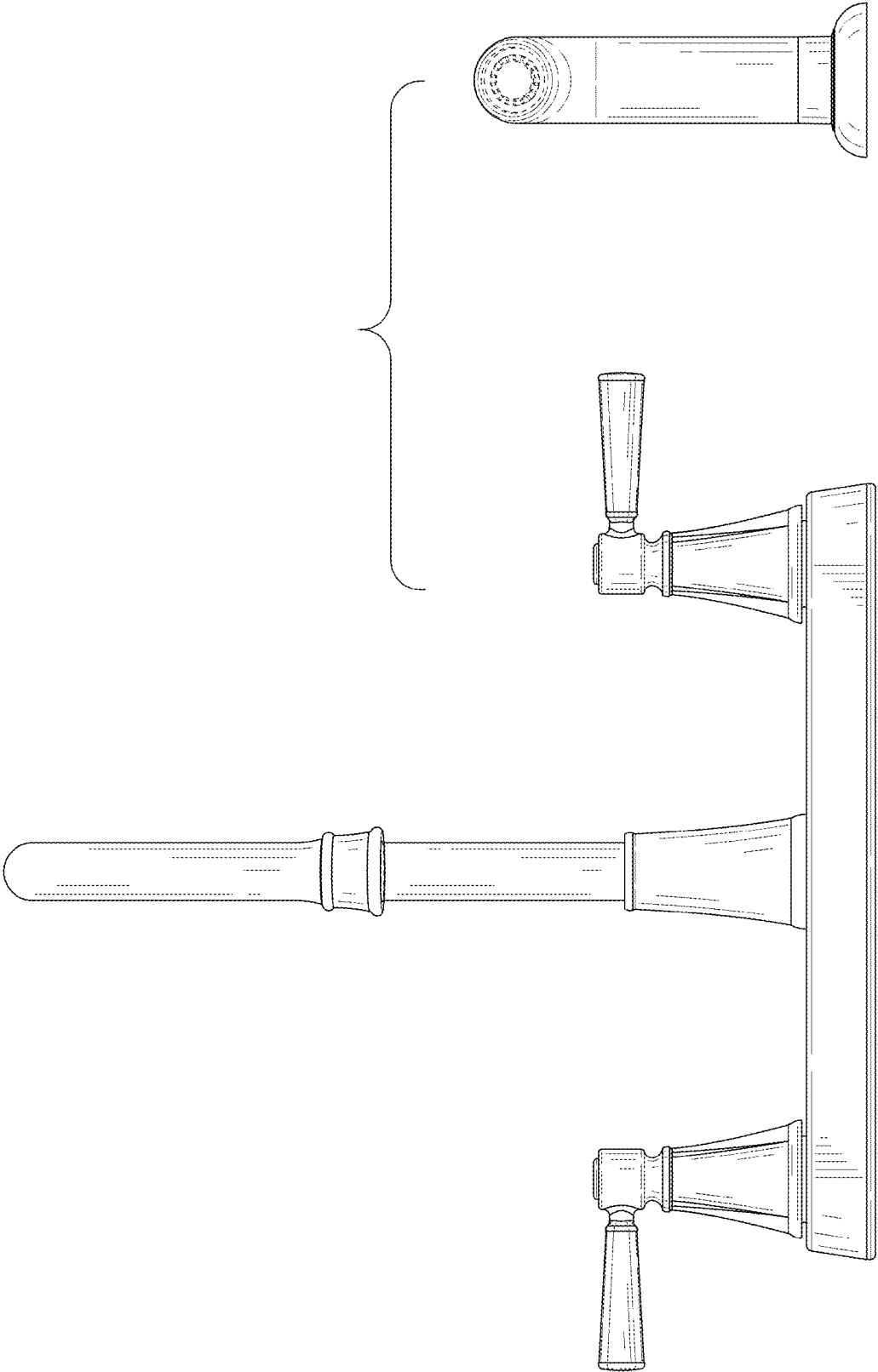


FIG. 3

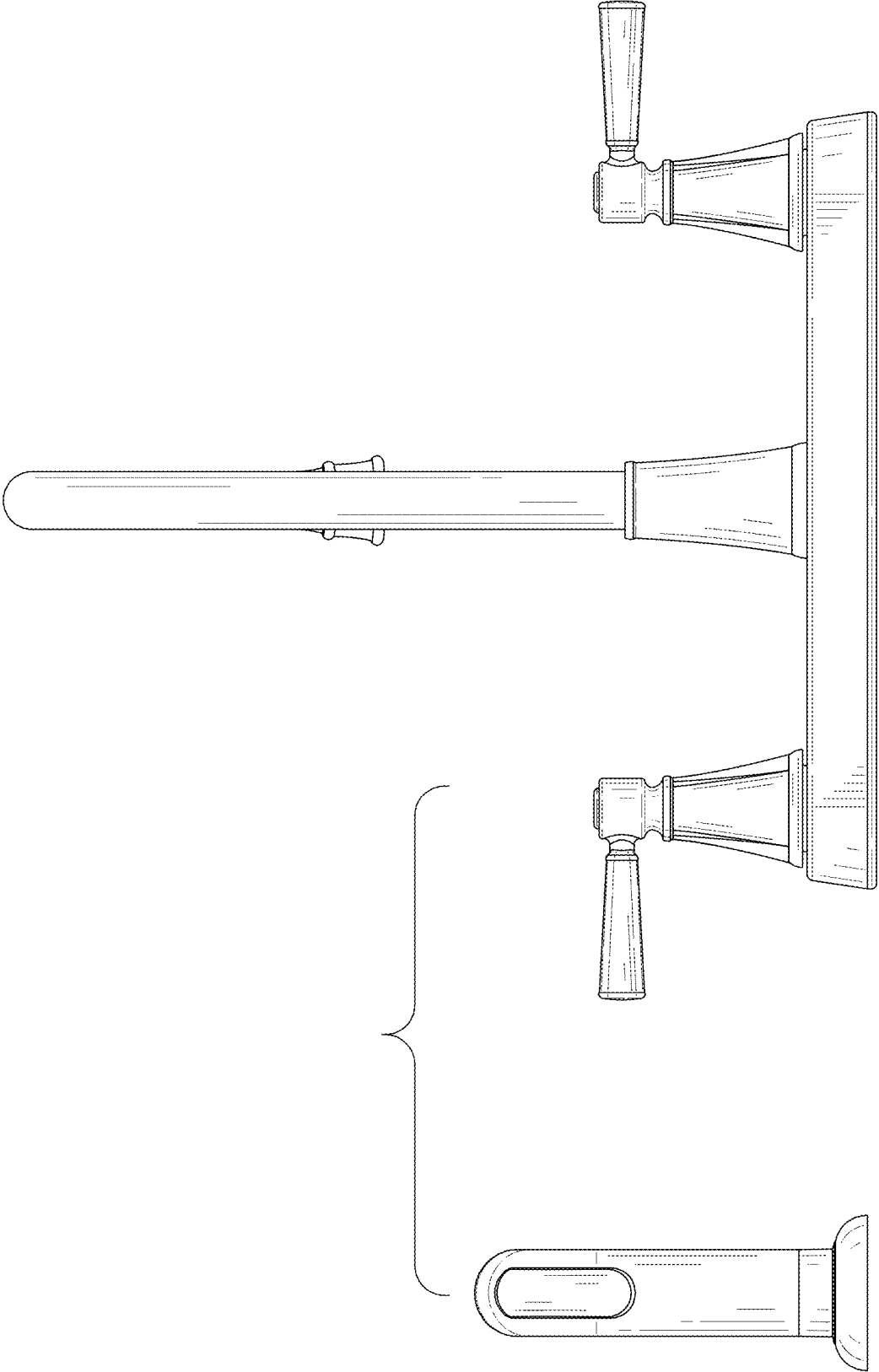


FIG. 4

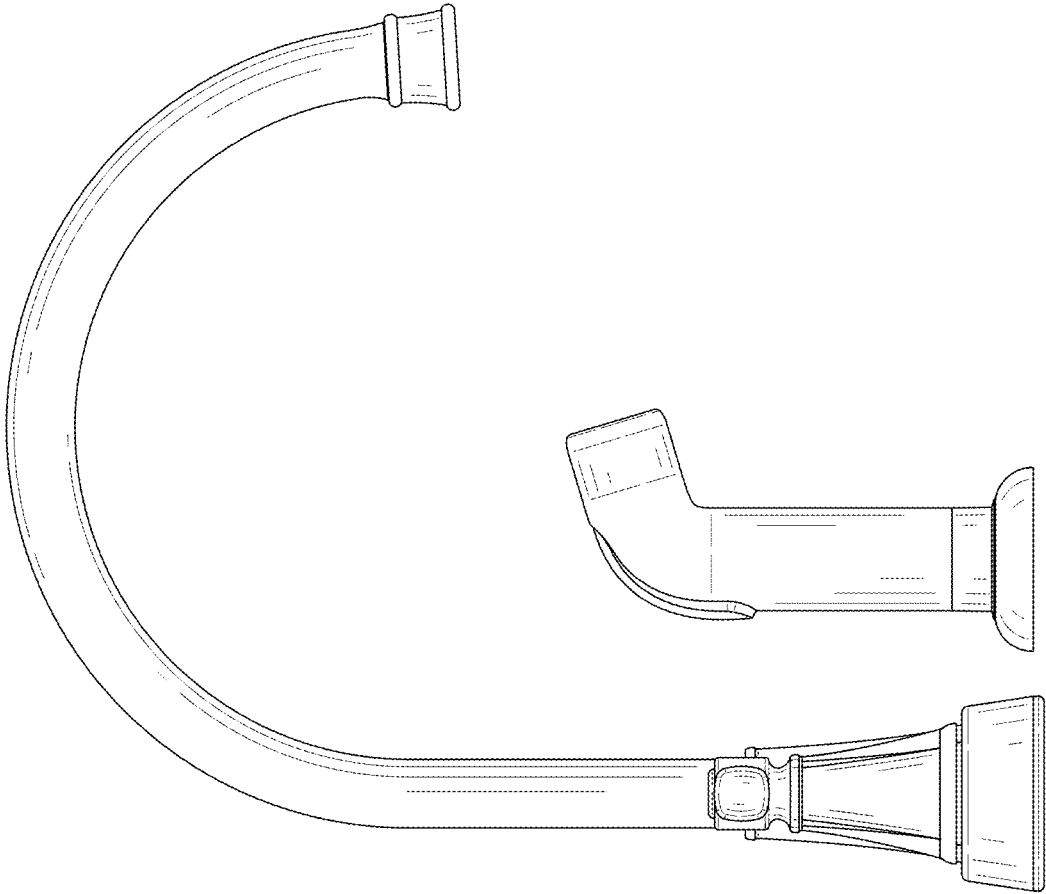


FIG. 5

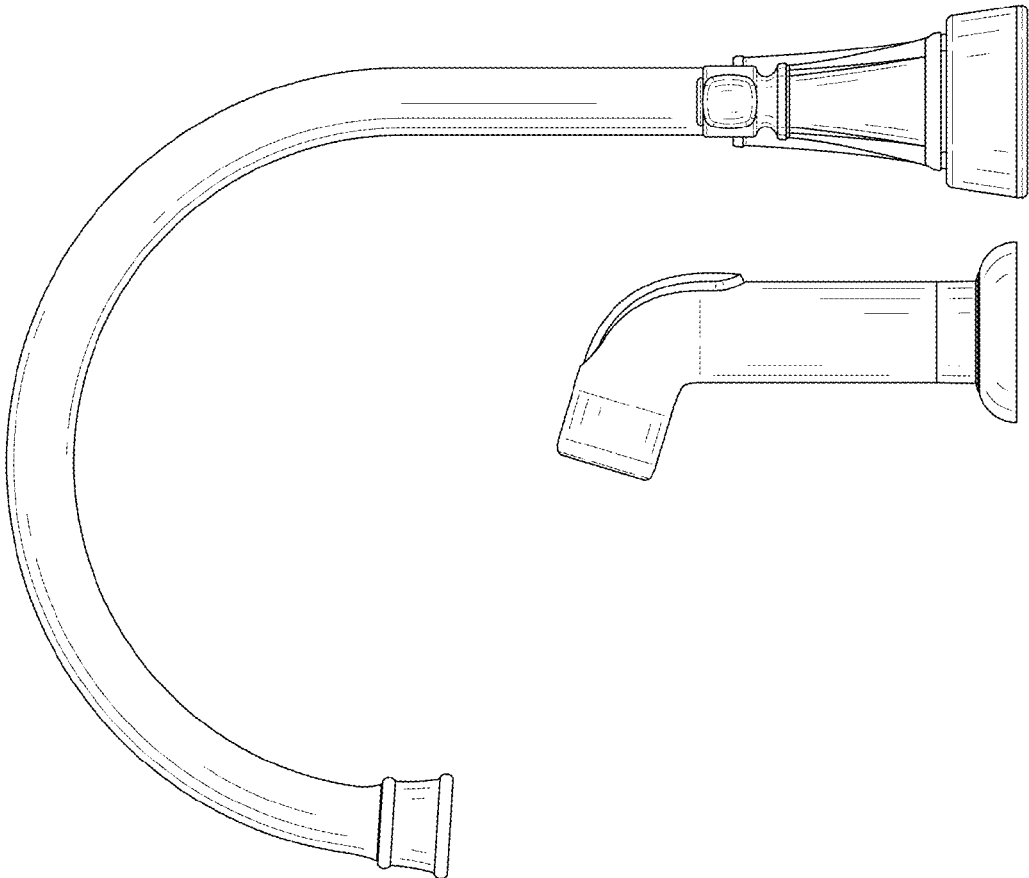


FIG. 6

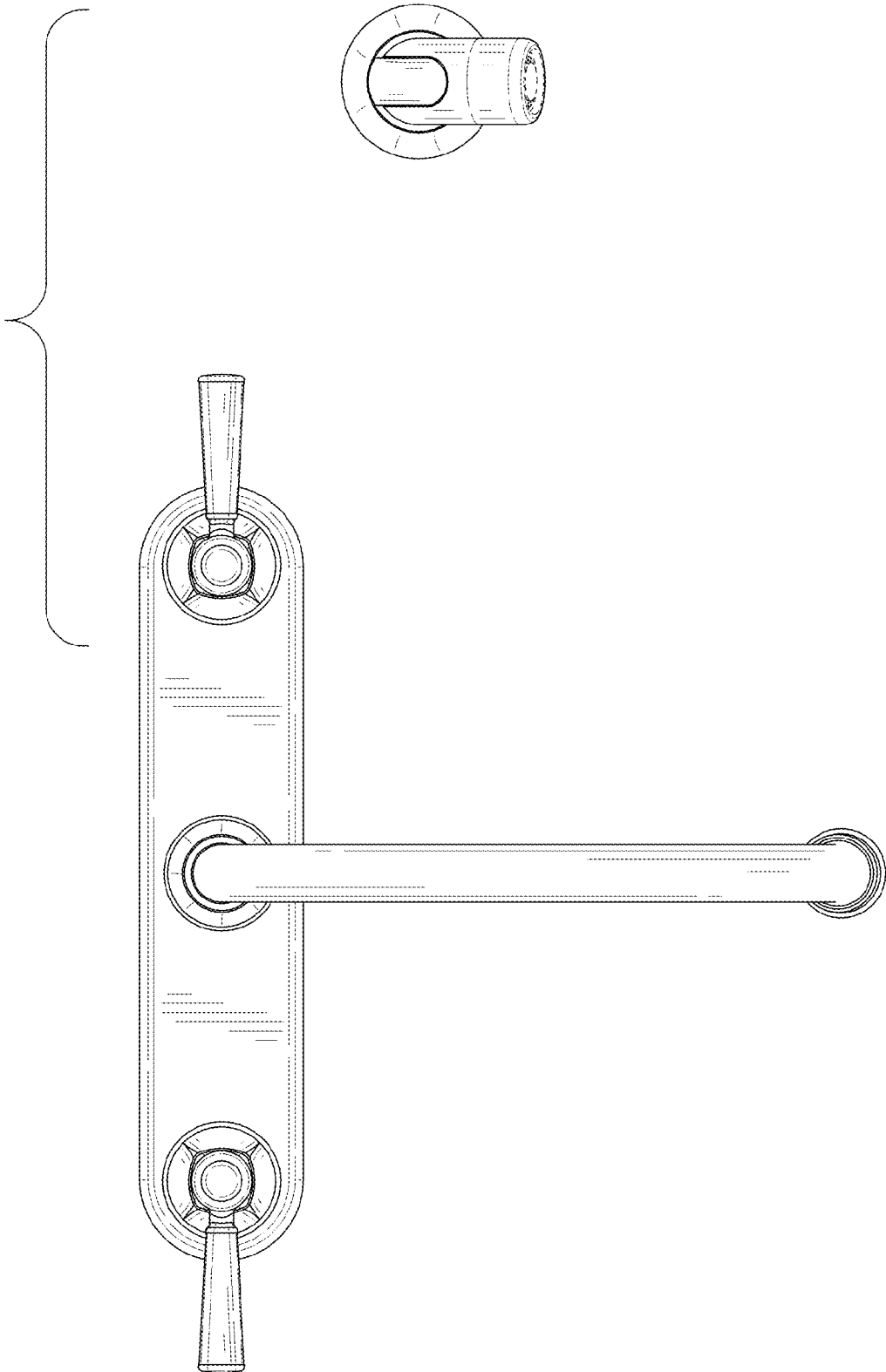


FIG. 7

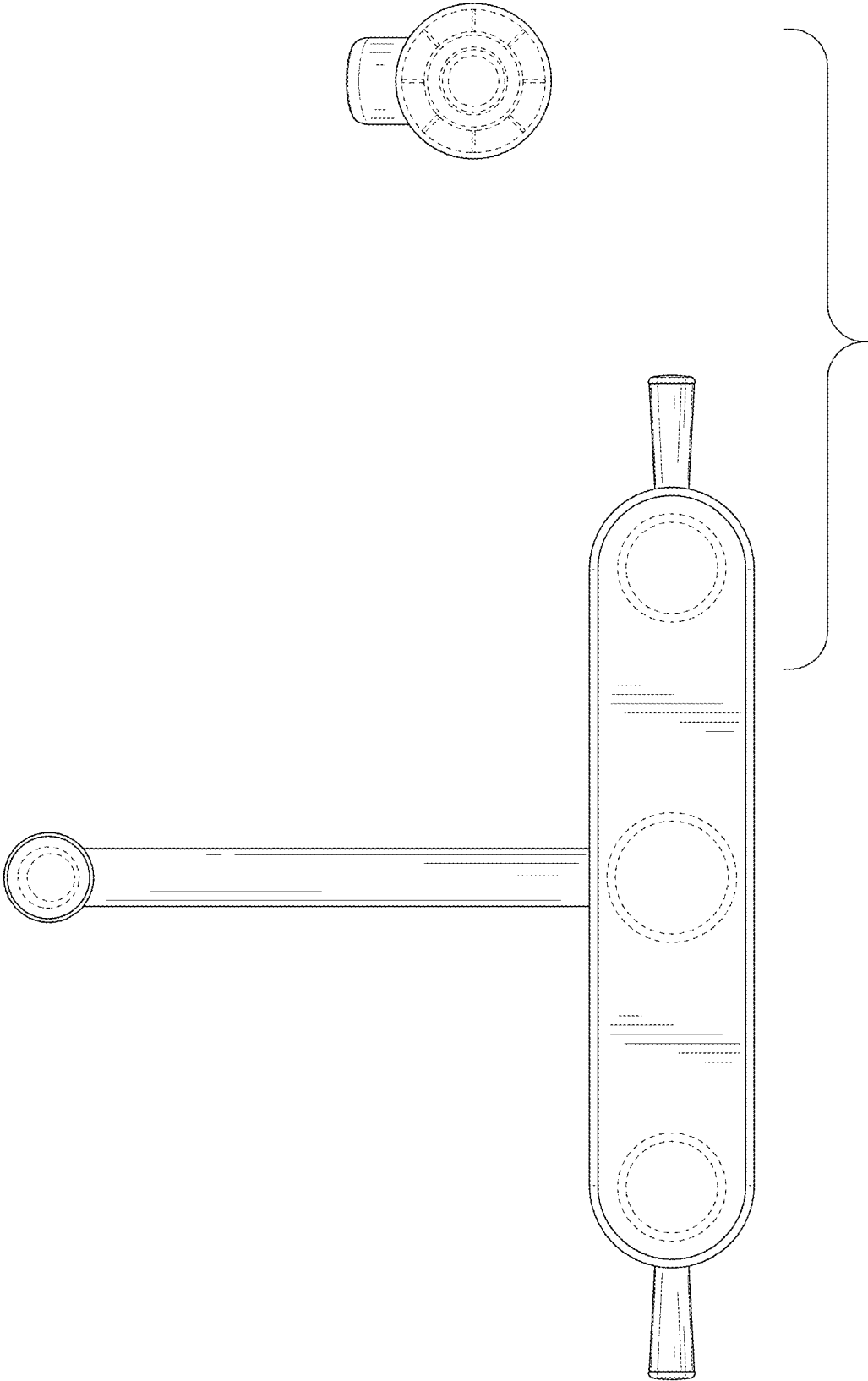


FIG. 8