



US00D874797S

(12) **United States Design Patent**  
**Fongher et al.**

(10) **Patent No.:** **US D874,797 S**

(45) **Date of Patent:** **\*\* Feb. 11, 2020**

(54) **FOOTWEAR**

(71) Applicant: **CROCS, INC.**, Niwot, CO (US)

(72) Inventors: **Federico Fongher**, Villatora di Saonara (IT); **Stefano Del Biondi**, Noventa Padovana (IT)

(73) Assignee: **CROCS, INC.**, Niwot, CO (US)

(\*\*) Term: **15 Years**

(21) Appl. No.: **29/631,272**

(22) Filed: **Dec. 28, 2017**

(51) **LOC (12) Cl.** ..... **02-04**

(52) **U.S. Cl.**  
USPC ..... **D2/923**

(58) **Field of Classification Search**  
USPC ..... D2/896, 900, 916, 917, 923, 943, 946,  
D2/969, 972, 976; 36/45, 8, 100, 88,  
36/102, 112, 113, 3 A, 3 R, 7.4, 11.5, 4,  
36/87, 7.5, 25 R  
CPC ..... A43B 1/0081; A43B 1/14; A43B 3/0042;  
A43B 7/06; A43B 7/08  
See application file for complete search history.

(56) **References Cited**

**U.S. PATENT DOCUMENTS**

6,993,858	B2	2/2006	Seamans	
D517,789	S	3/2006	Seamans	
D525,419	S	7/2006	Seamans	
D529,263	S *	10/2006	Wolf	D2/923
7,146,751	B2	12/2006	Seamans	
D535,088	S	1/2007	Seamans	
D543,341	S	5/2007	Seamans	
D545,032	S *	6/2007	Wolf	D2/923
D564,205	S	3/2008	Seamans	
D564,207	S	3/2008	Seamans	
D567,481	S *	4/2008	Hoyt	D2/896
D567,482	S *	4/2008	Hoyt	D2/896
D567,483	S *	4/2008	Liow	D2/896

D610,784	S	3/2010	Del Biondi	
D632,465	S	2/2011	del Biondi et al.	
D637,382	S *	5/2011	Bathum	D2/923
D642,773	S *	8/2011	Liow	D2/896
D645,235	S *	9/2011	Carroll	D2/923
D648,105	S *	11/2011	Schlageter	D2/923
D648,512	S *	11/2011	Schlageter	D2/896
D650,157	S *	12/2011	Liow	D2/923
D667,612	S	9/2012	Del Biondi et al.	
D689,677	S	9/2013	Bathum et al.	
D691,351	S	10/2013	Pugazhenth	
D698,131	S	1/2014	Del Biondi et al.	

(Continued)

**OTHER PUBLICATIONS**

U.S. Appl. No. 29/590,023, filed Jan. 6, 2017.

U.S. Appl. No. 29/621,537, filed Oct. 9, 2017.

*Primary Examiner* — Elizabeth J Oswecki  
(74) *Attorney, Agent, or Firm* — Wilmer Cutler Pickering  
Hale and Dorr LLP

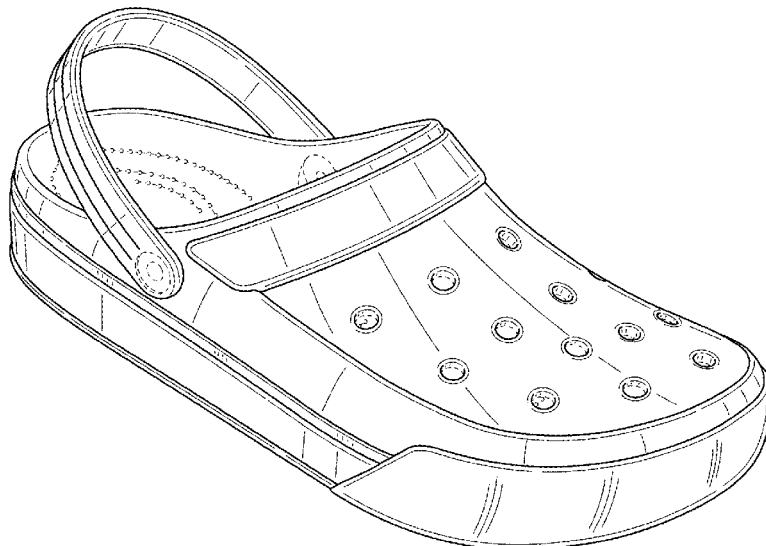
(57) **CLAIM**

The ornamental design for footwear, as shown and described.

**DESCRIPTION**

FIG. 1 is a front perspective view of footwear showing our new design;  
FIG. 2 is a front view thereof;  
FIG. 3 is a back view thereof;  
FIG. 4 is an outer side view thereof;  
FIG. 5 is an inner side view thereof;  
FIG. 6 is a top view thereof; and,  
FIG. 7 is a bottom view thereof.  
The portions shown in dashed lines form no part of the claimed design.  
The five circles shown in the top view of FIG. 6 appear as solid circles because horizon lines converge in the center of the circle to appear solid from the top view.

**1 Claim, 7 Drawing Sheets**



(56)

**References Cited**

## U.S. PATENT DOCUMENTS

D698,133	S	*	1/2014	Callegarini	.....	D2/896
D698,531	S		2/2014	Lock et al.		
D708,826	S		7/2014	Fongher et al.		
D709,677	S	*	7/2014	del Biondi	.....	D2/923
D726,397	S		4/2015	Del Biondi et al.		
D732,808	S		6/2015	Del Biondi et al.		
D739,125	S		9/2015	Chanthavong		
D747,079	S	*	1/2016	Carroll	.....	D2/923
D762,953	S		8/2016	Del Biondi et al.		
D764,153	S		8/2016	Engerman		
D768,364	S	*	10/2016	Chanthavong	.....	D2/923
D771,917	S		11/2016	Del Biondi et al.		
D772,543	S	*	11/2016	Laska	.....	D2/923
D787,789	S		5/2017	Del Biondi et al.		
D801,011	S		10/2017	Del Biondi et al.		
D809,753	S	*	2/2018	Carroll	.....	D2/923
D833,124	S	*	11/2018	Laska	.....	D2/916
2004/0231189	A1	*	11/2004	Seamans	.....	A43B 1/0081 36/3 A
2004/0231190	A1	*	11/2004	Seamans	.....	A43B 1/0081 36/11.5
2008/0313929	A1	*	12/2008	Hoyt	.....	A43B 1/10 36/105

\* cited by examiner

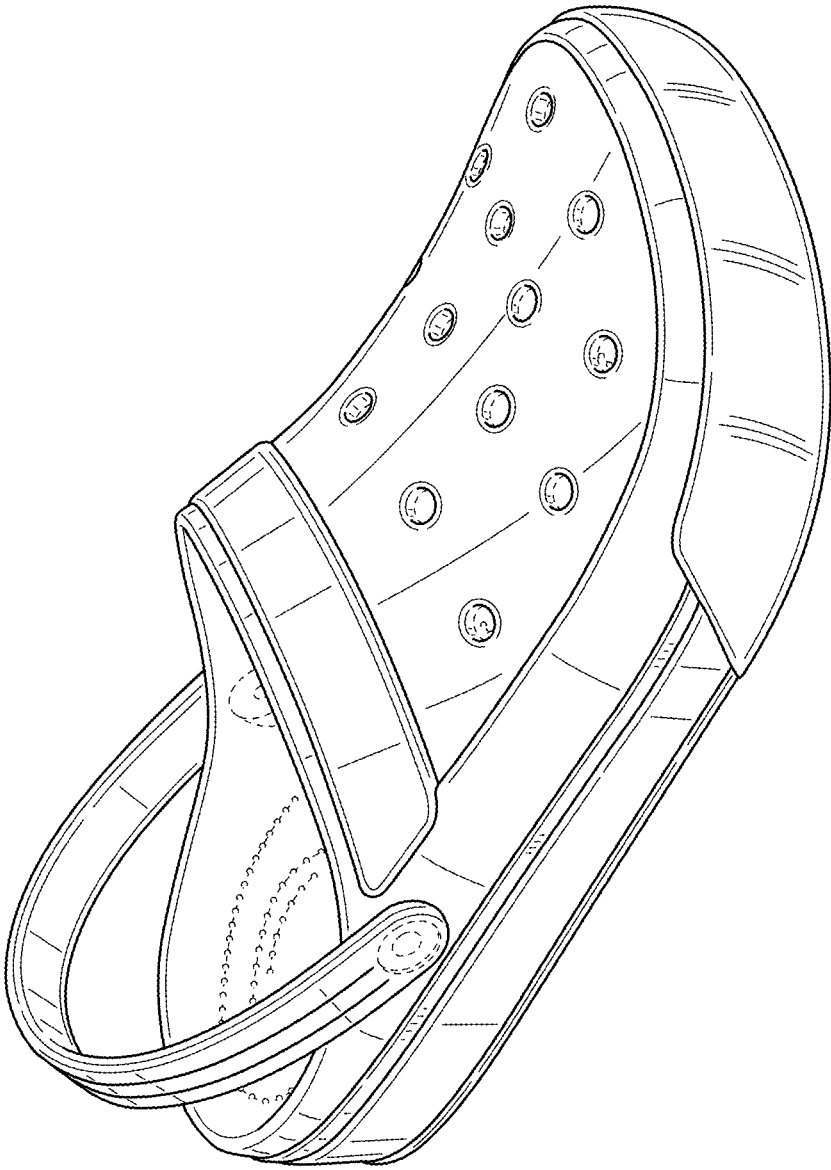


FIG.1

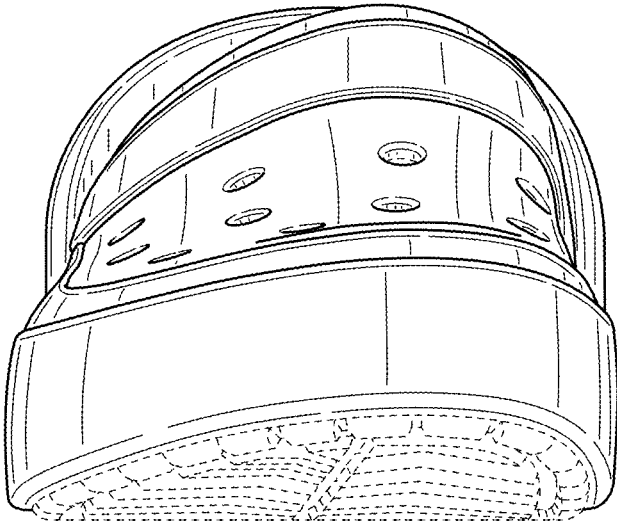


FIG.2

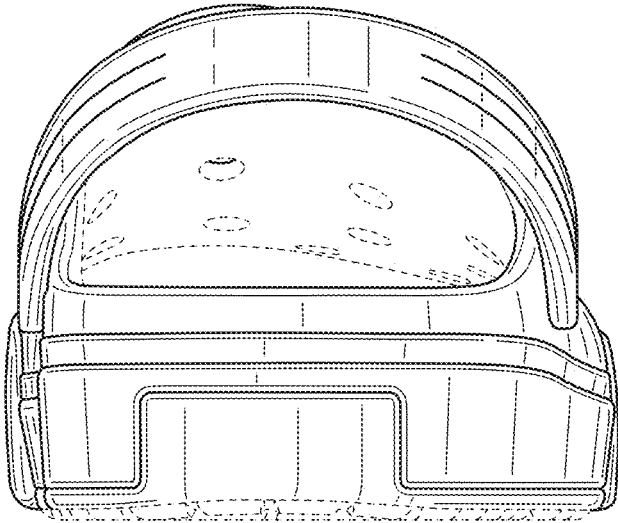


FIG.3

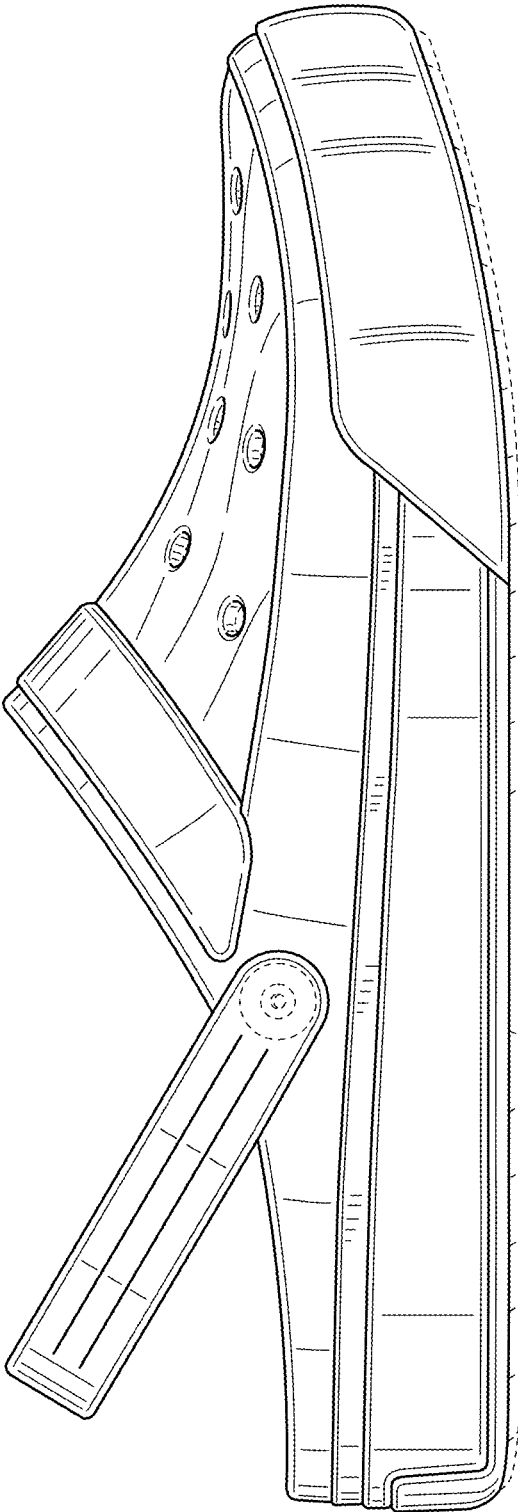


FIG.4

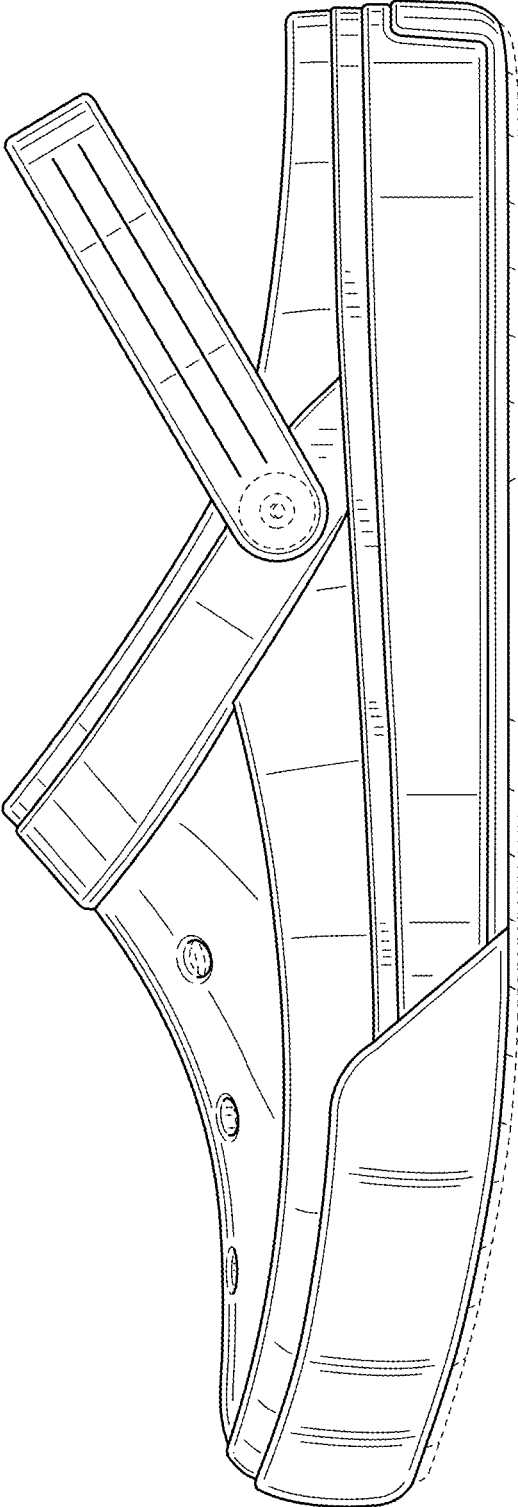


FIG.5

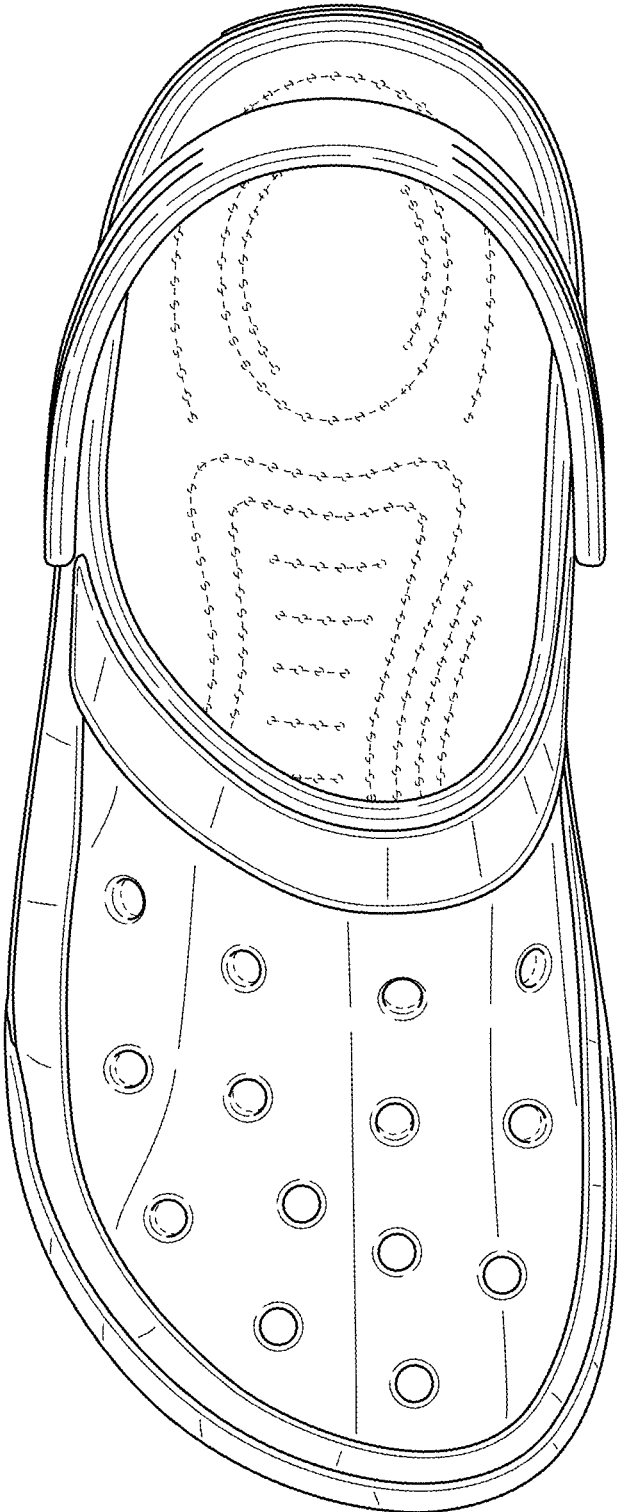


FIG.6

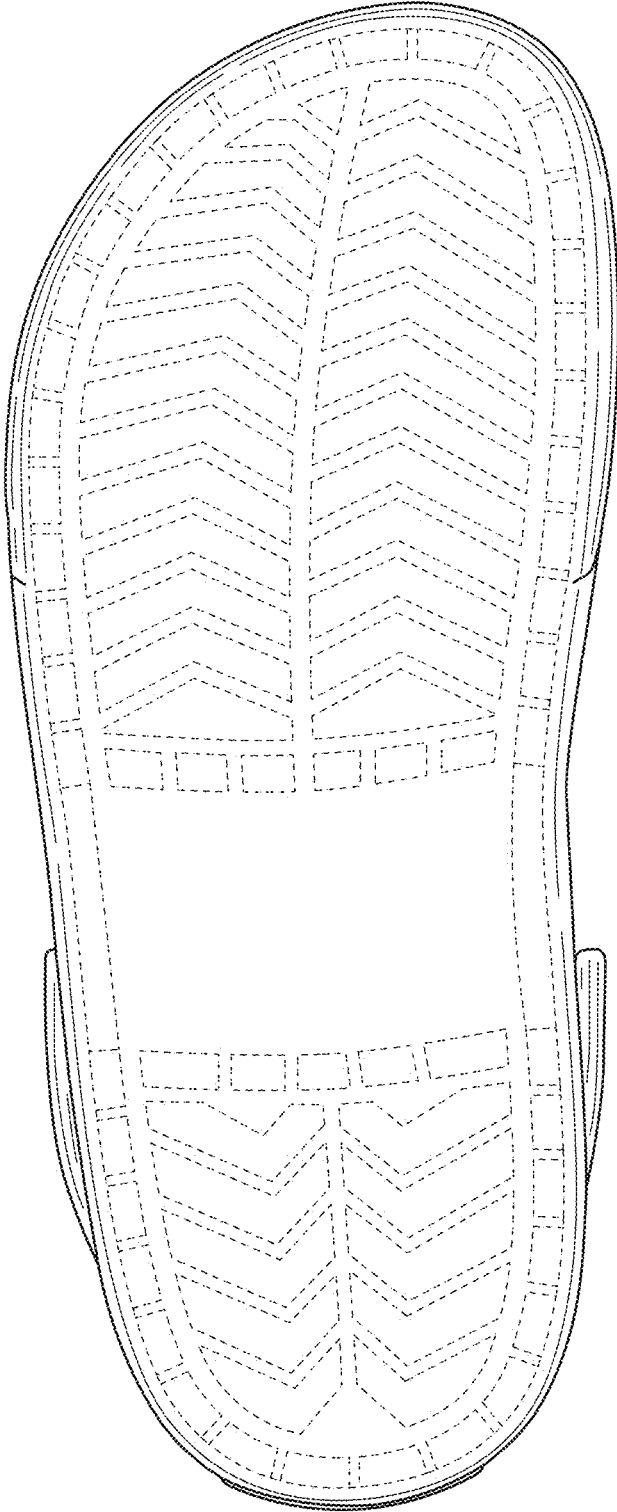


FIG. 7