



(12) **United States Design Patent**
Amrine et al.

(10) **Patent No.:** **US D904,648 S**
(45) **Date of Patent:** **** Dec. 8, 2020**

- (54) **LAWN EDGING CONNECTOR**
- (71) Applicant: **Dimex, LLC**, Marietta, OH (US)
- (72) Inventors: **Patrick Amrine**, Williamstown, WV (US); **Lyle A. James**, Kettering, OH (US); **Kevin R. Morey**, Marietta, OH (US)
- (73) Assignee: **Dimex, LLC**, Marietta, OH (US)
- (**) Term: **15 Years**
- (21) Appl. No.: **29/696,201**
- (22) Filed: **Jun. 26, 2019**

4,628,632 A	12/1986	Zwier	
4,831,776 A	5/1989	Fritch	
4,969,289 A	11/1990	Trifiletti	
5,157,867 A	10/1992	Fritch	
D339,199 S *	9/1993	Rynberk D25/164
5,259,154 A	11/1993	Lilley	
5,414,956 A *	5/1995	Kheradpir A01G 9/28
			47/33
D372,547 S *	8/1996	Sjodin D25/164
D378,857 S *	4/1997	Hale D25/164
5,640,801 A *	6/1997	Rynberk A01G 9/28
			47/33
5,926,999 A	7/1999	Vernon et al.	
D424,714 S *	5/2000	Hale D25/164
6,085,458 A *	7/2000	Gau A01G 9/28
			47/33

(Continued)

Primary Examiner — Llorelys Martinez
(74) *Attorney, Agent, or Firm* — Wood Herron & Evans LLP

Related U.S. Application Data

- (63) Continuation-in-part of application No. 29/681,426, filed on Feb. 26, 2019.
- (51) **LOC (12) Cl.** **25-01**
- (52) **U.S. Cl.**
USPC **D25/164**
- (58) **Field of Classification Search**
USPC D25/102, 119, 164; D8/349, 394-396
CPC E01C 11/22; E01C 11/221; Y10S 30/05;
A01G 9/28; E02D 5/80; E02D 5/805;
A47G 27/045; A47G 27/0456; A47G
27/0462
See application file for complete search history.

(57) **CLAIM**

The ornamental design for a lawn edging connector, as shown and described.

DESCRIPTION

FIG. 1 is a front perspective view of a lawn edging showing our new design;
FIG. 2 is a front view thereof;
FIG. 3 is a rear view thereof;
FIG. 4 a right side view thereof;
FIG. 5 is a left side view thereof;
FIG. 6 is a top view thereof; and,
FIG. 7 is a bottom view thereof.

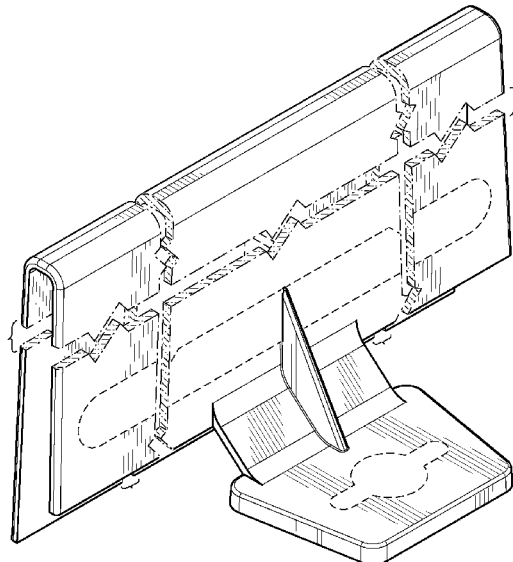
The broken lines in the drawings illustrate portions of the lawn edging connector that form no part of the claimed design. The lawn edging connector is shown with a symbolic break in its length and height. The appearance of any portion of the lawn edging connector between the break lines forms no part of the claimed design.

1 Claim, 3 Drawing Sheets

(56) **References Cited**

U.S. PATENT DOCUMENTS

2,184,904 A	12/1939	Boehme	
3,008,173 A *	11/1961	Goss A47G 27/0462
			16/16
3,788,001 A	1/1974	Balfanz, Jr.	
3,841,022 A	10/1974	Thodos	
4,349,596 A	9/1982	Endrix	
4,372,079 A	2/1983	Trageser	



(56)

References Cited

U.S. PATENT DOCUMENTS

6,324,783	B1 *	12/2001	McIntyre	A01G 9/28	D800,352	S *	10/2017	Amrine	D25/164
				47/33	D827,872	S *	9/2018	Amrine	D25/164
D453,578	S *	2/2002	Olson	D25/164	D840,058	S *	2/2019	Amrine	D25/164
6,379,078	B1	4/2002	Zwier		D840,059	S *	2/2019	Sanders	D25/164
6,397,413	B2	6/2002	Epstein et al.		D872,903	S *	1/2020	Amrine	D25/164
6,839,920	B2	1/2005	Schulte		2002/0050104	A1 *	5/2002	Reeves	E04D 13/00
6,931,798	B1 *	8/2005	Pocai	A01G 9/28					52/96
				52/102	2008/0163566	A1 *	7/2008	Bella	A01G 9/28
D541,952	S *	5/2007	Keeley	D25/119					52/102
D543,286	S *	5/2007	Keeley	D25/119	2008/0235921	A1 *	10/2008	Zwier	A01G 9/28
D548,368	S	8/2007	Hale et al.						24/545
D586,005	S *	2/2009	Schumaker	D25/164	2009/0013597	A1 *	1/2009	Orton	A01G 9/28
D595,429	S *	6/2009	Orton	D25/164					47/33
D612,072	S *	3/2010	Keeley	D25/164	2012/0276342	A1 *	11/2012	Bray	A01G 9/28
8,585,313	B2	11/2013	Wojotowicz et al.						428/174
D733,936	S *	7/2015	Amrine	D25/164	2014/0169864	A1 *	6/2014	Ballard	A01G 9/28
D748,822	S *	2/2016	Amrine	D25/119					403/287
D748,823	S *	2/2016	Amrine	D25/164	2015/0252532	A1 *	9/2015	Alfieri, III	E01C 11/221
D773,074	S *	11/2016	Amrine	D25/164					404/37
D797,320	S *	9/2017	Amrine	D25/164	2015/0252536	A1 *	9/2015	Alfieri, III	E01C 11/221
									404/7
					2019/0174685	A1 *	6/2019	Wang	A01G 9/28

* cited by examiner

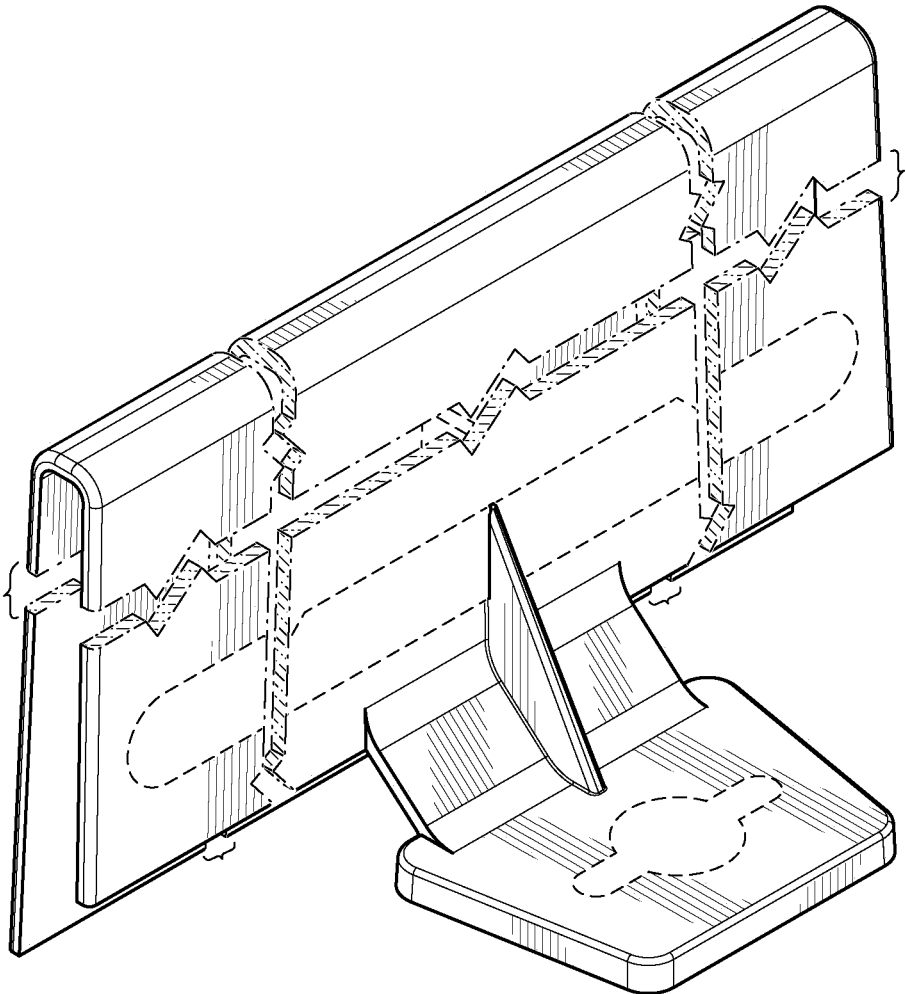


FIG. 1

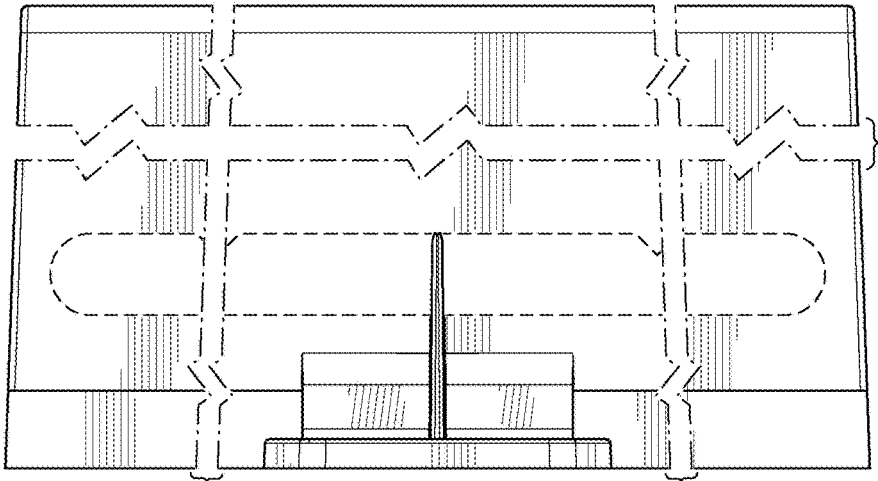


FIG. 2

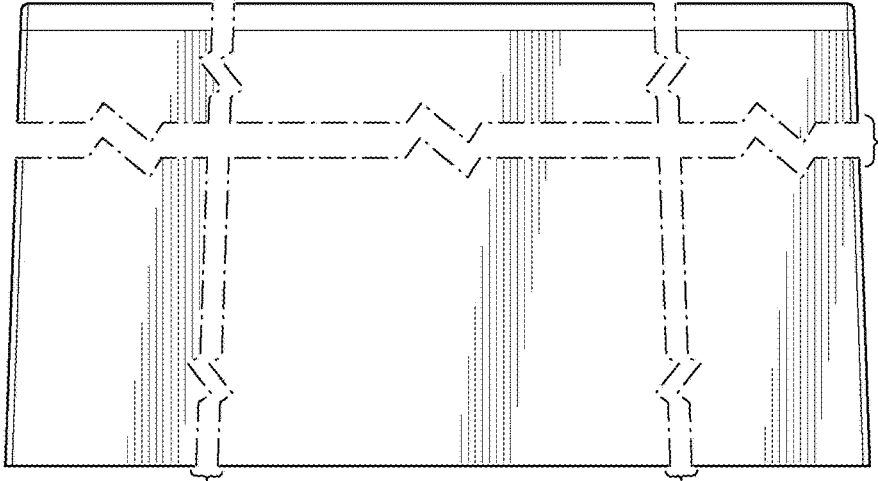


FIG. 3

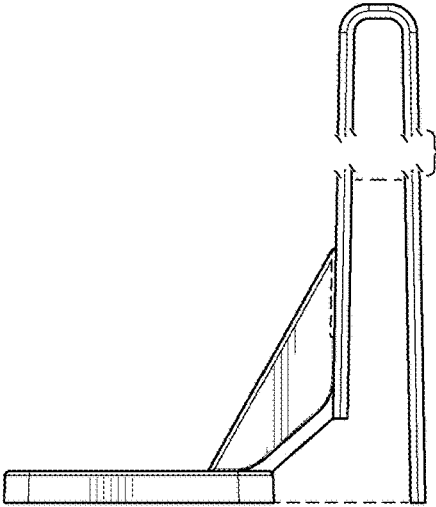


FIG. 4

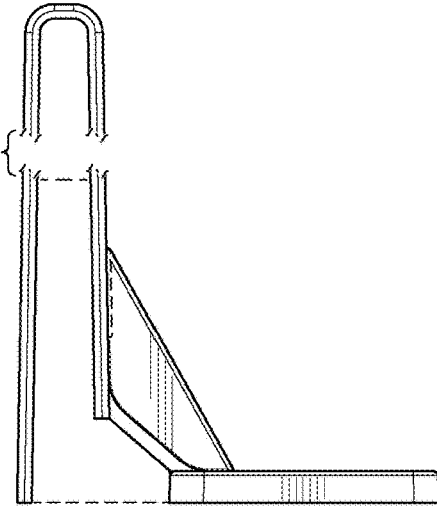


FIG. 5

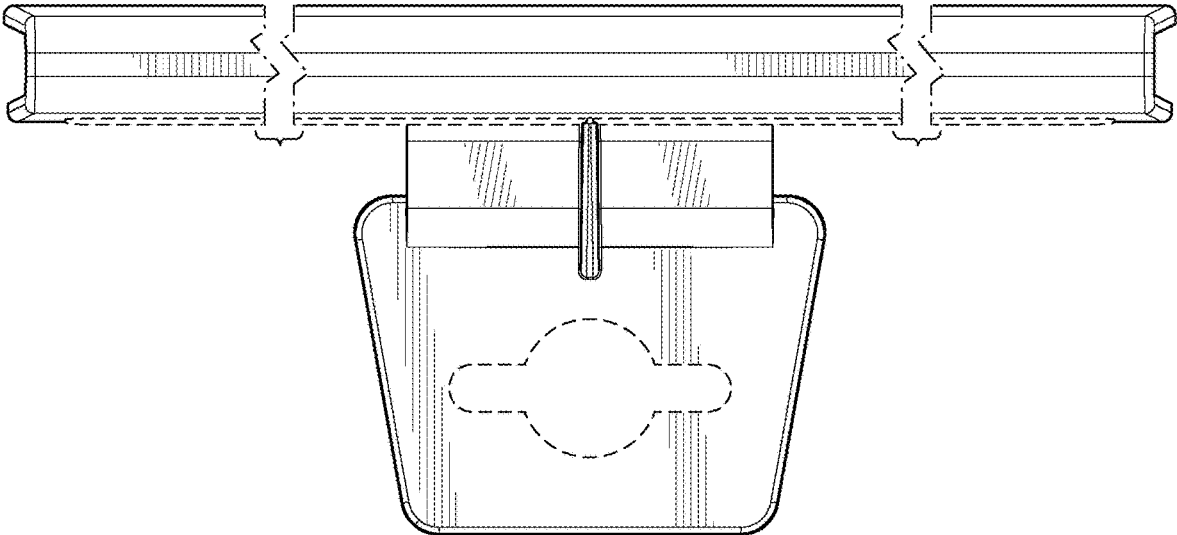


FIG. 6

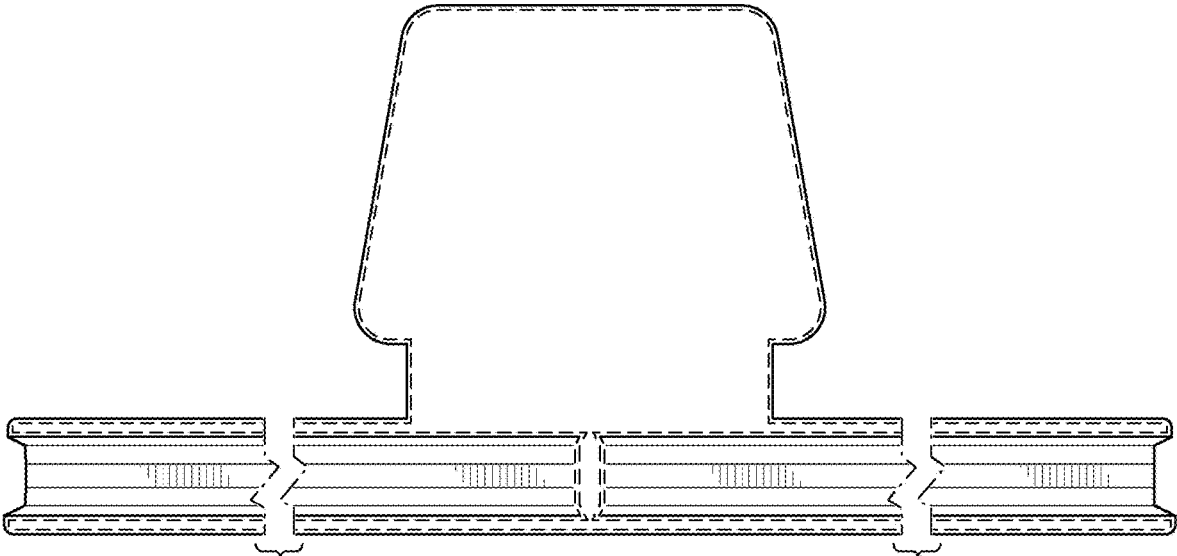


FIG. 7