



US00D734089S

(12) **United States Design Patent**
Garman

(10) **Patent No.:** **US D734,089 S**

(45) **Date of Patent:** **** Jul. 14, 2015**

- (54) **DUAL SANDWICH MAKER**
- (71) Applicant: **Hamilton Beach Brands, Inc.**, Glen Allen, VA (US)
- (72) Inventor: **Michael Garman**, Moseley, VA (US)
- (73) Assignee: **Hamilton Beach Brands, Inc.**, Glen Allen, VA (US)
- (**) Term: **14 Years**

5,983,784	A	11/1999	Goldberg	
6,772,678	B2	8/2004	Choi et al.	
D509,989	S *	9/2005	Steinberg et al.	D7/352
7,005,616	B2	2/2006	Kim et al.	
7,238,921	B2	7/2007	Beesley et al.	
7,250,587	B2	7/2007	Ely et al.	
7,250,588	B2	7/2007	Ely et al.	
7,467,583	B2	12/2008	Lam	
D657,990	S *	4/2012	Kim et al.	D7/352
D688,513	S *	8/2013	Garman	D7/352
D695,058	S *	12/2013	Garman	D7/357
D697,362	S *	1/2014	Nguyen Geslin	D7/356
D706,569	S *	6/2014	Fung	D7/352
D715,093	S *	10/2014	Ren	D7/364
2008/0105137	A1	5/2008	Genslak et al.	
2009/0139412	A1	6/2009	Zhan	

(21) Appl. No.: **29/484,308**

(22) Filed: **Mar. 7, 2014**

(51) **LOC (10) Cl.** **07-02**

(52) **U.S. Cl.**
USPC **D7/352**

(58) **Field of Classification Search**
USPC D7/323, 328-330, 337, 347, 352-364, D7/367, 402, 409-411; 99/324-326, 331, 99/339, 349, 356-357, 372-379, 99/444-446; 219/386, 450.1, 472, 219/524-525, 620-622, 732-734
CPC A21B 5/023; A47J 27/60; A47J 27/62; A47J 37/04; A47J 37/06; A47J 37/067; A47J 37/0605; A47J 37/0611; A47J 37/0623; A47J 37/0629; A47J 37/0676; A47J 2037/06; A47J 2037/0611; F24C 15/10; F24C 15/102; H05B 6/02; H05B 6/062

See application file for complete search history.

(56) **References Cited**

U.S. PATENT DOCUMENTS

4,803,918	A	2/1989	Carbon et al.	
4,967,650	A	11/1990	Weigle	
D376,067	S *	12/1996	Littmann	D7/360
D380,341	S *	7/1997	Naft et al.	D7/354

* cited by examiner

Primary Examiner — Ricky Pham

(74) *Attorney, Agent, or Firm* — Alexander D. Raring

(57) **CLAIM**

The ornamental design for a dual sandwich maker, as shown and described.

DESCRIPTION

FIG. 1 is a perspective view as seen from the top, front and right side of a dual sandwich maker showing the new design; FIG. 2 is a perspective view as seen from the top, rear and left side thereof;

FIG. 3 is a front view thereof;

FIG. 4 is a right side view thereof;

FIG. 5 is a rear view thereof;

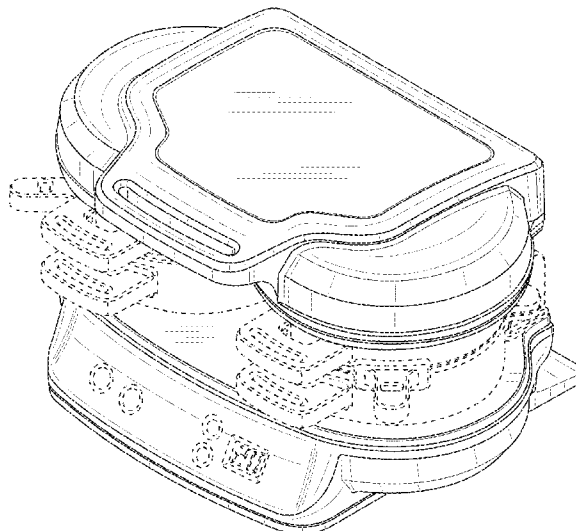
FIG. 6 is a top view thereof;

FIG. 7 is a left side view thereof; and,

FIG. 8 is a bottom view thereof.

The broken lines in the drawings are included for illustrative purposes only and form no part of the claimed design.

1 Claim, 8 Drawing Sheets



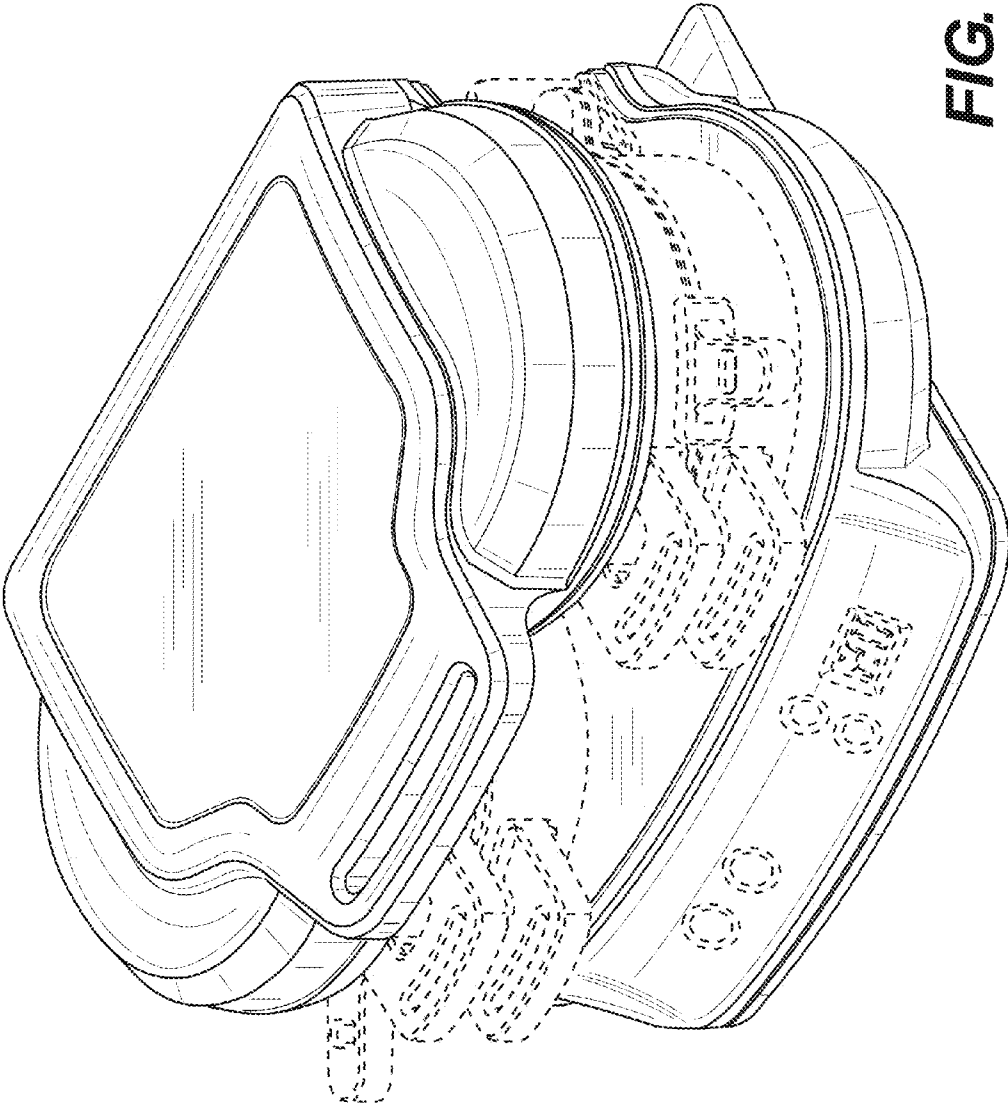


FIG. 1

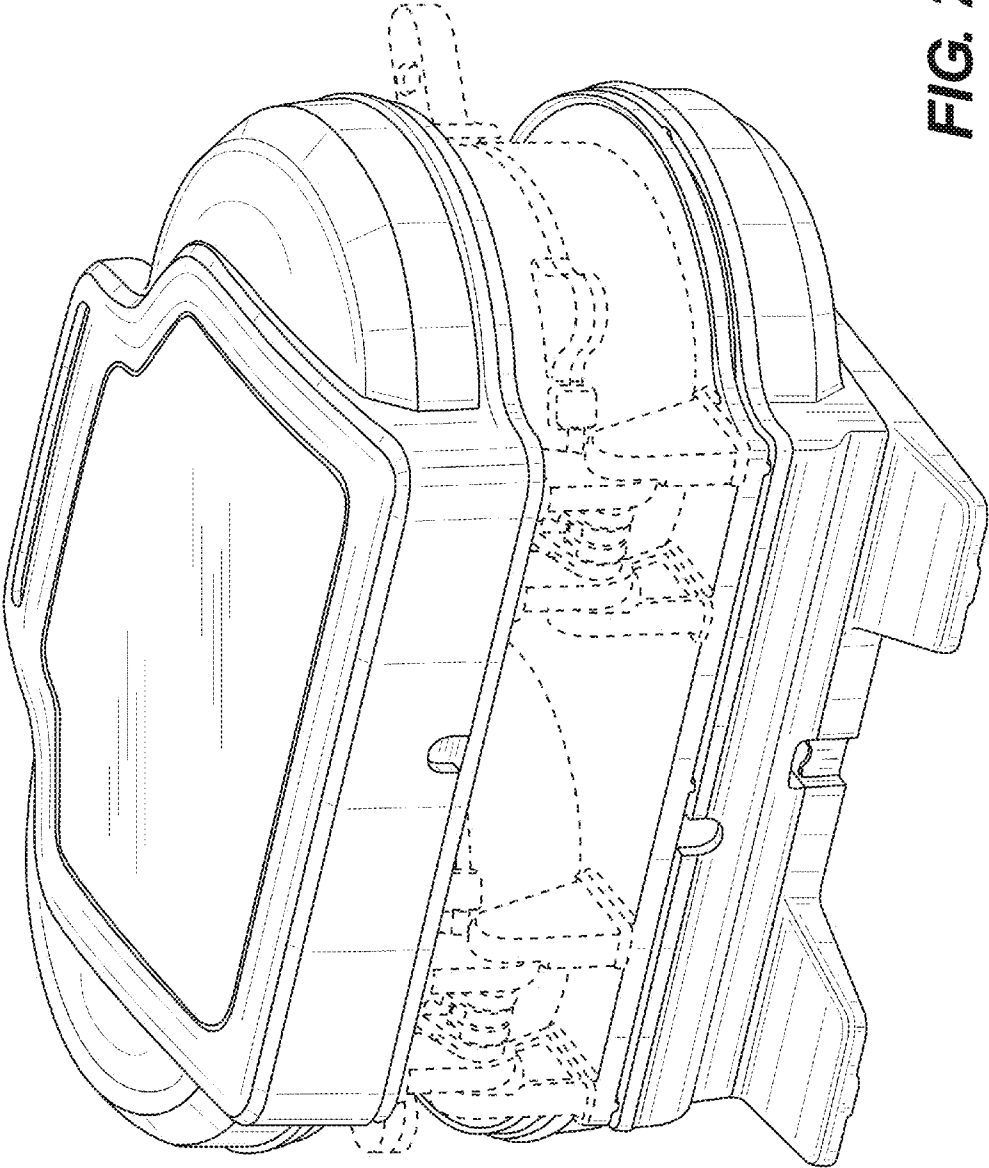


FIG. 2

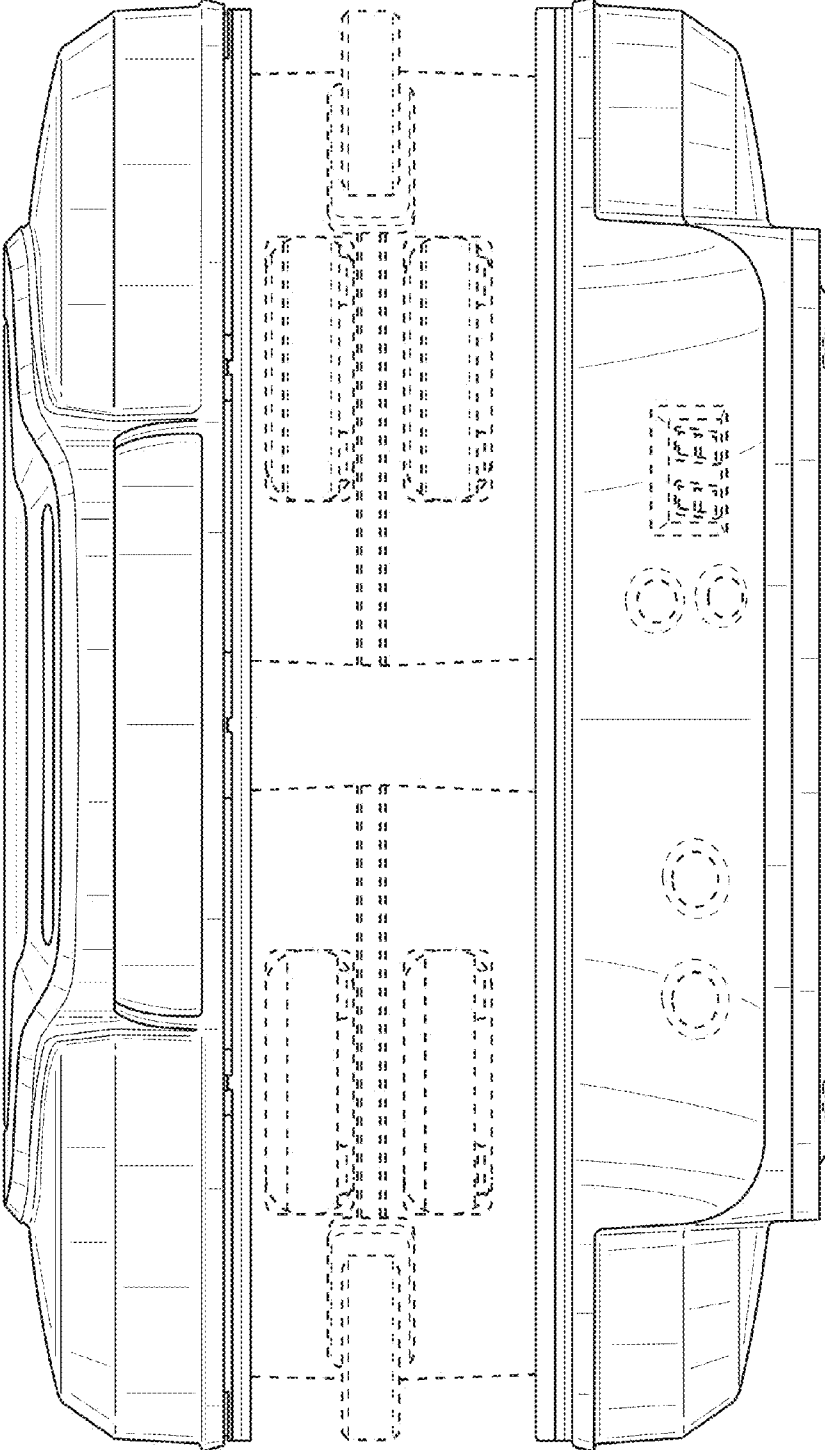


FIG. 3

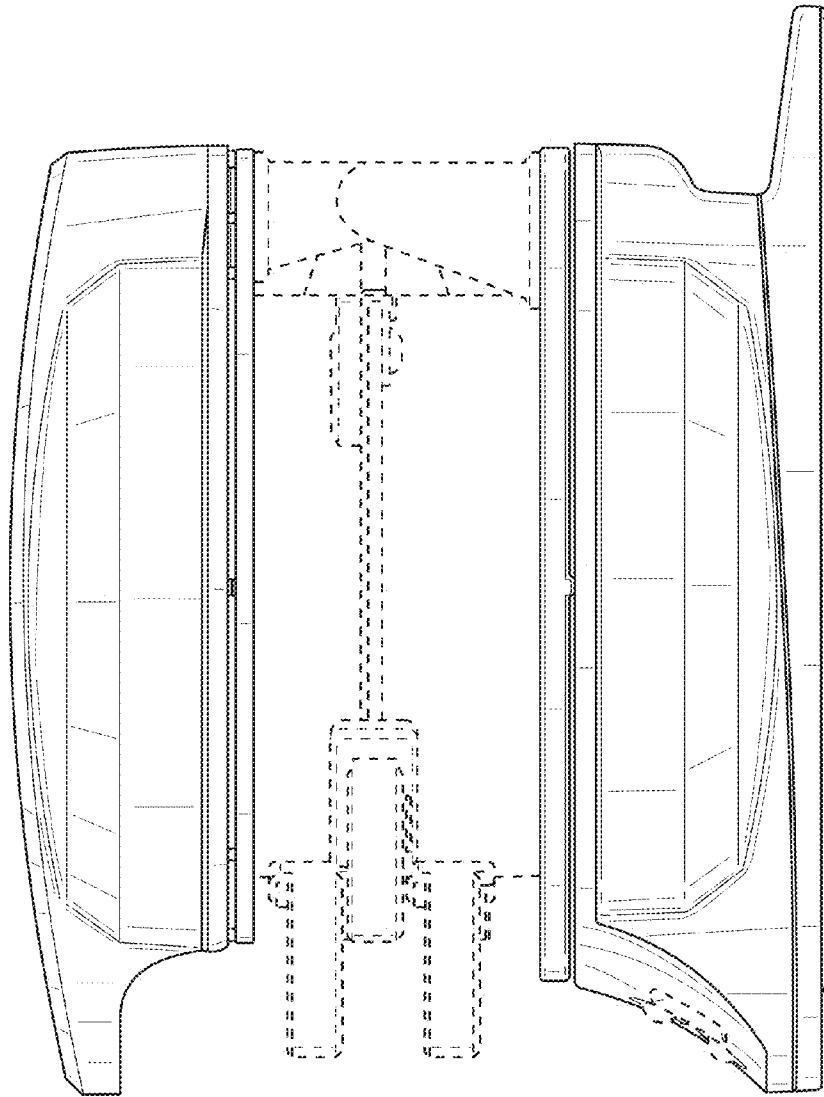


FIG. 4

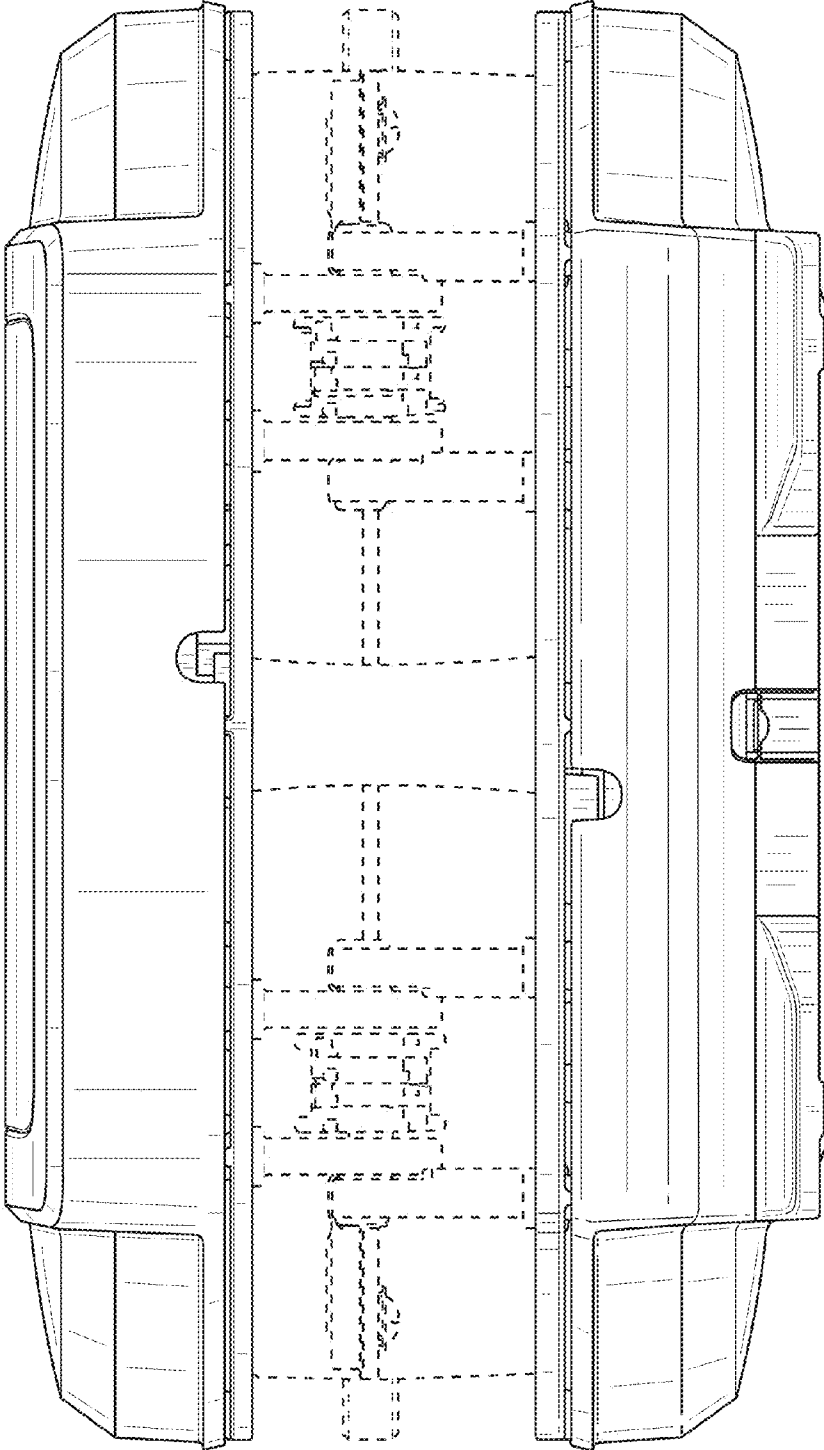
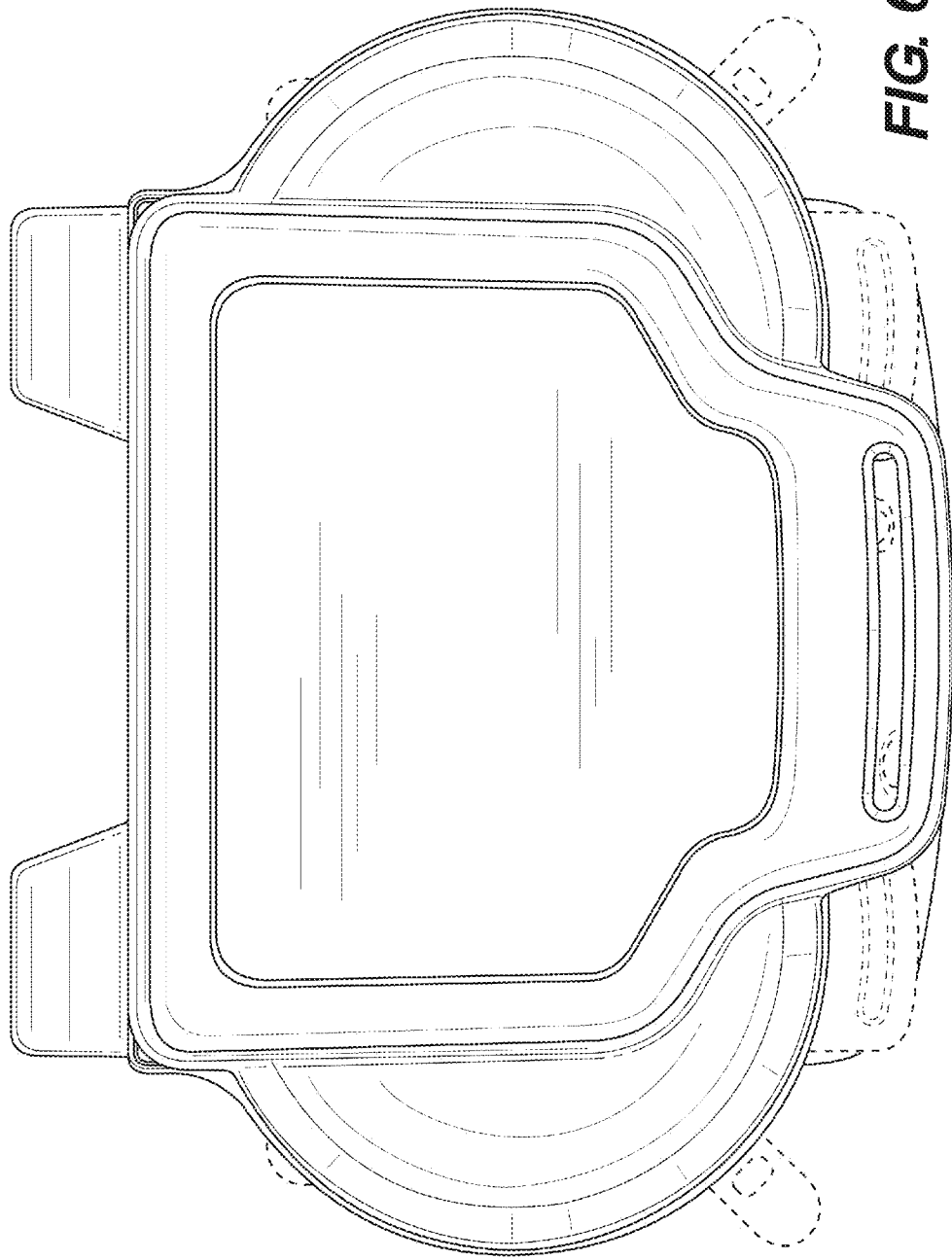


FIG. 5



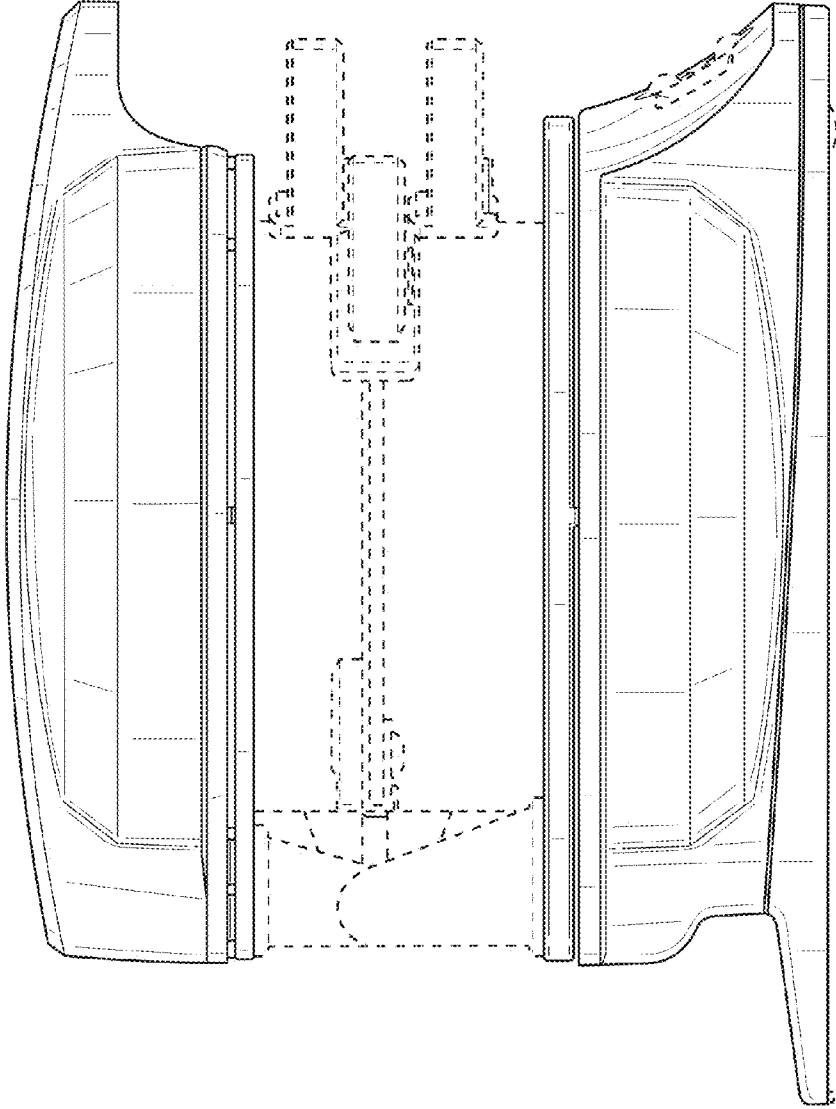


FIG. 7

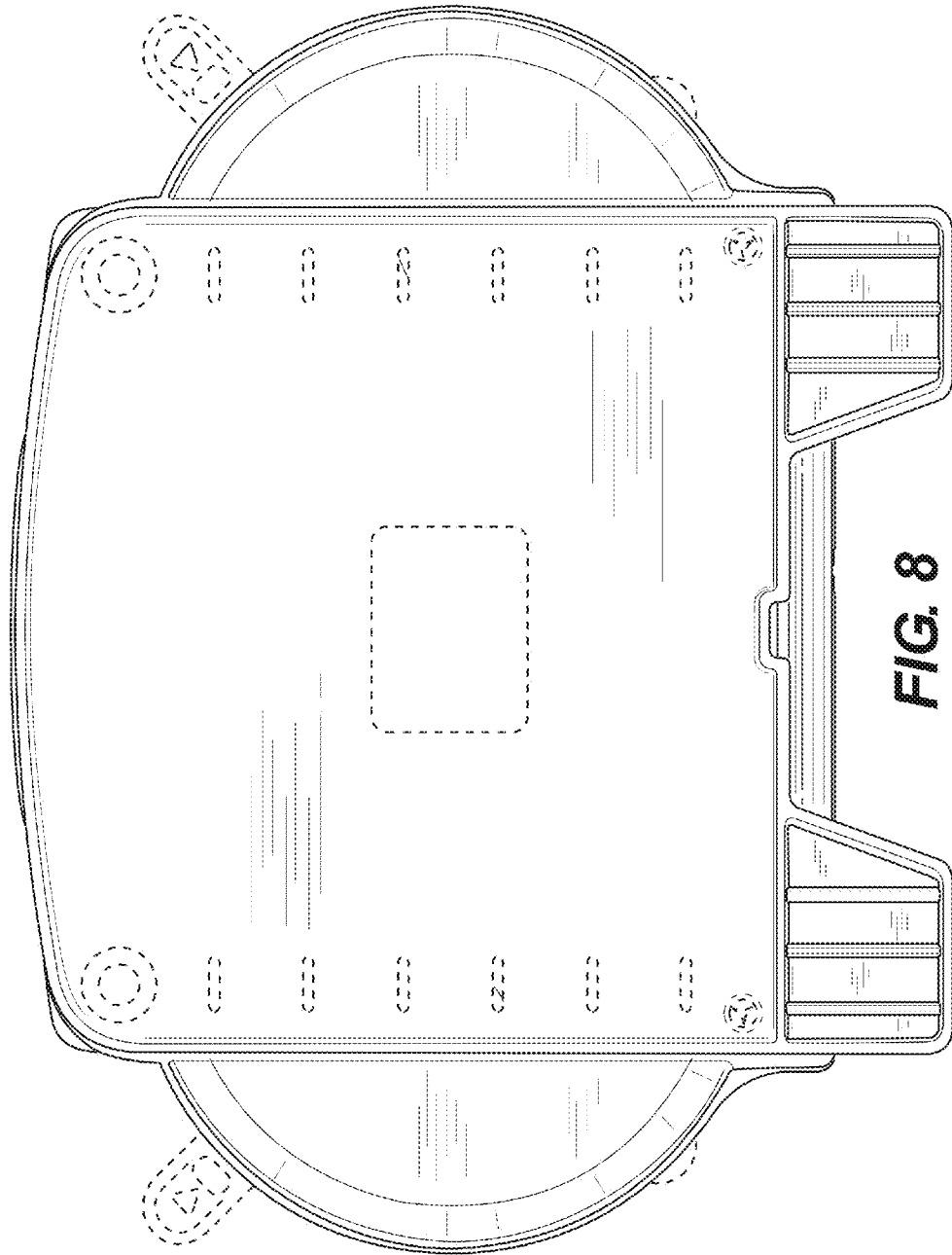


FIG. 8