



US0D1037421S

(12) **United States Design Patent**  
**Hu**

(10) **Patent No.:** **US D1,037,421 S**

(45) **Date of Patent:** **\*\* Jul. 30, 2024**

- (54) **WOOD STOVE**
- (71) Applicant: **Suzhou Tuofu Machinery Technology Co., Ltd, Suzhou (CN)**
- (72) Inventor: **Zhuming Hu, Suzhou (CN)**
- (73) Assignee: **Suzhou Tuofu Machinery Technology Co., Ltd, Suzhou (CN)**
- (\*\*) Term: **15 Years**

1,787,903 A \* 1/1931 Herndon ..... F24B 1/202  
 126/9 R  
 D240,628 S \* 7/1976 Kapustin ..... D23/343  
 D938,003 S \* 12/2021 Ming ..... D23/343  
 D944,584 S \* 3/2022 Jiang ..... D23/343  
 D968,868 S \* 11/2022 Xia ..... D23/343  
 D981,779 S \* 3/2023 Huang ..... D23/343

\* cited by examiner

*Primary Examiner* — Ania Aman

(74) *Attorney, Agent, or Firm* — Nitin Kaushik

- (21) Appl. No.: **29/860,301**
- (22) Filed: **Nov. 17, 2022**
- (51) **LOC (14) Cl.** ..... **23-03**
- (52) **U.S. Cl.**  
USPC ..... **D23/335**
- (58) **Field of Classification Search**  
USPC ..... D23/314, 332, 334, 335, 336, 337, 338,  
D23/339, 340, 341, 342, 343, 347;  
D7/337, 332, 339  
CPC ..... F24B 1/181; F24B 1/182; F24B 1/191;  
F24B 1/18; F24B 3/00  
See application file for complete search history.

(57) **CLAIM**

The ornamental design for a wood stove, as shown and described.

**DESCRIPTION**

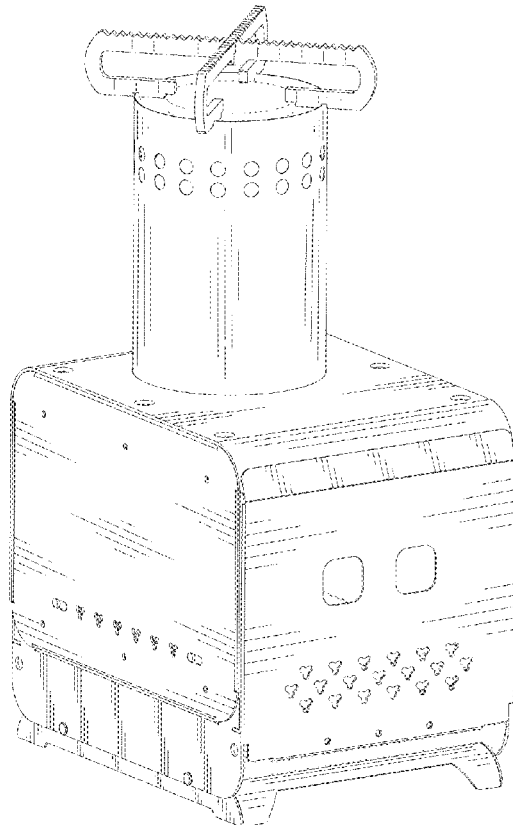
FIG. 1 is a front, top and right side perspective view of a wood stove, showing my new design;  
 FIG. 2 is a front view thereof;  
 FIG. 3 is a rear view thereof;  
 FIG. 4 is a left side view thereof;  
 FIG. 5 is a right side view thereof;  
 FIG. 6 is a top view thereof; and,  
 FIG. 7 is a bottom view thereof.  
 The broken lines in the drawings illustrate the portions of the wood stove, which form no part of the claimed design.

(56) **References Cited**

**U.S. PATENT DOCUMENTS**

- D28,497 S \* 4/1898 Adler ..... D23/339
- D46,478 S \* 9/1914 Koch ..... D23/339

**1 Claim, 7 Drawing Sheets**



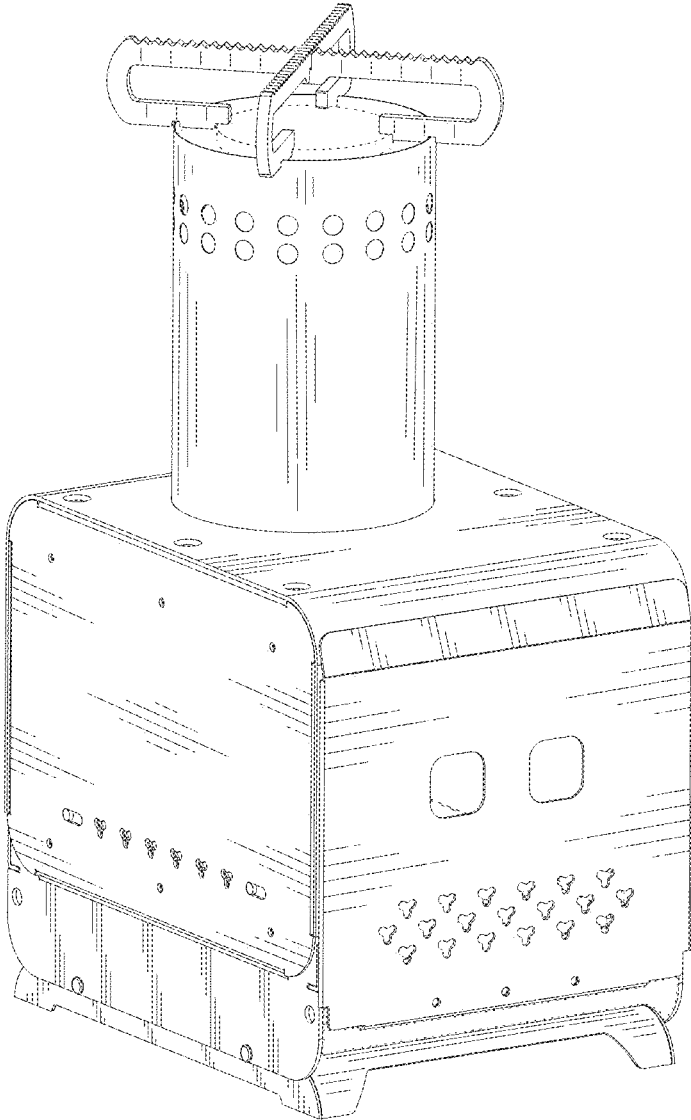


FIG. 1

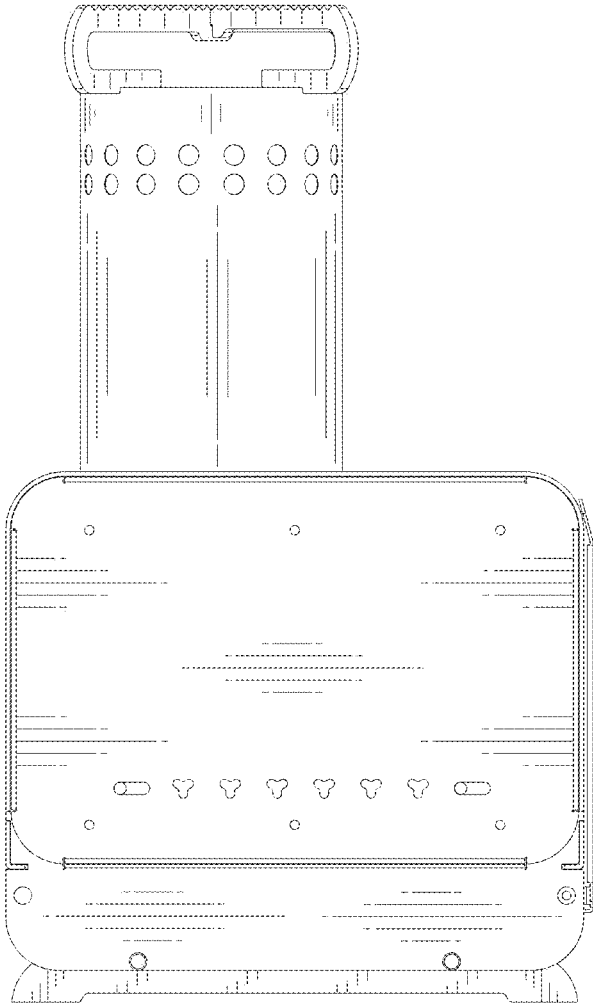


FIG. 2

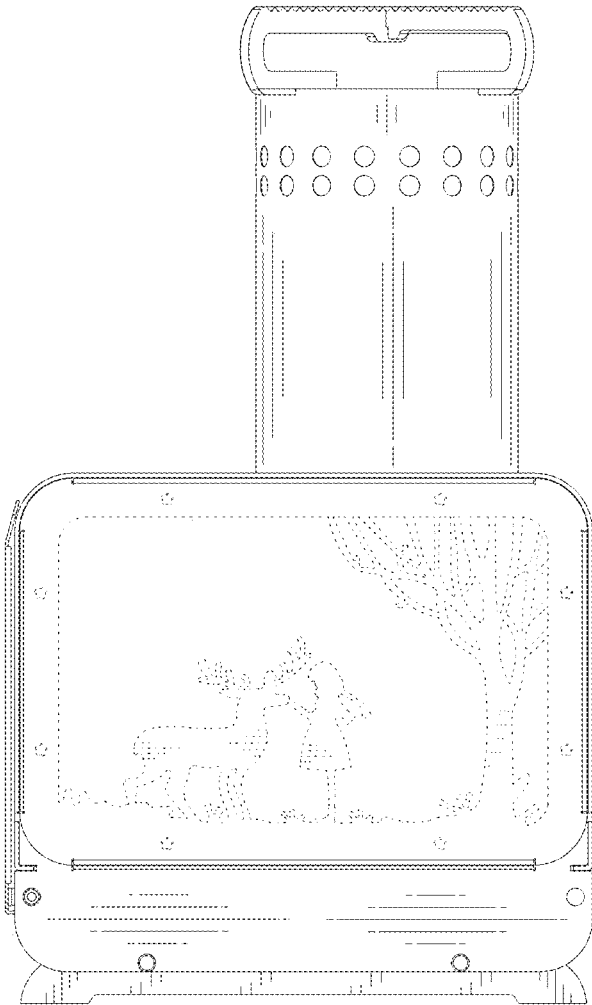


FIG. 3

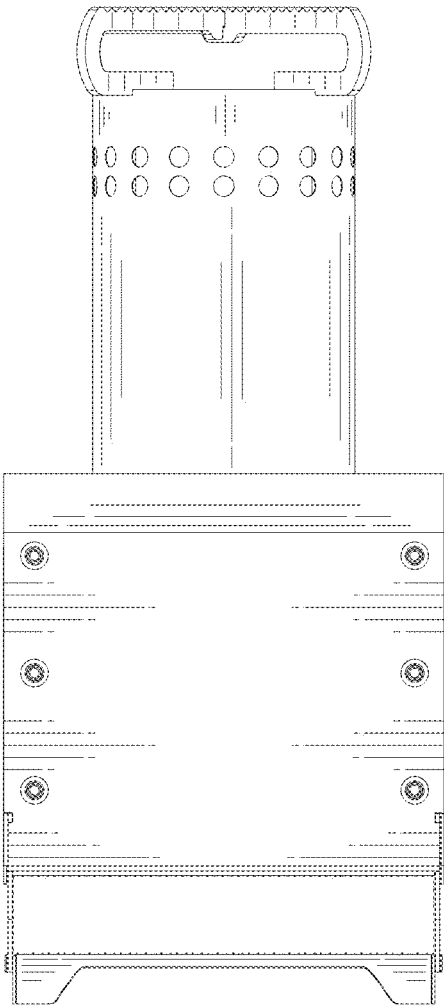


FIG. 4

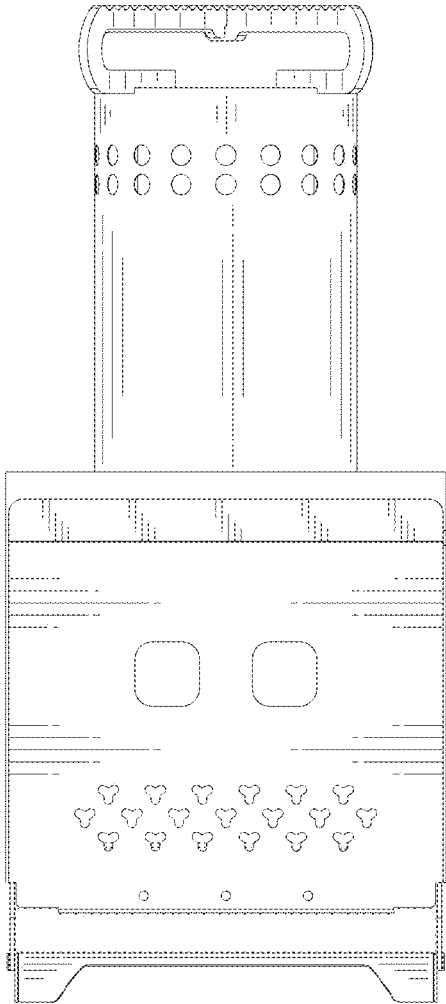


FIG. 5

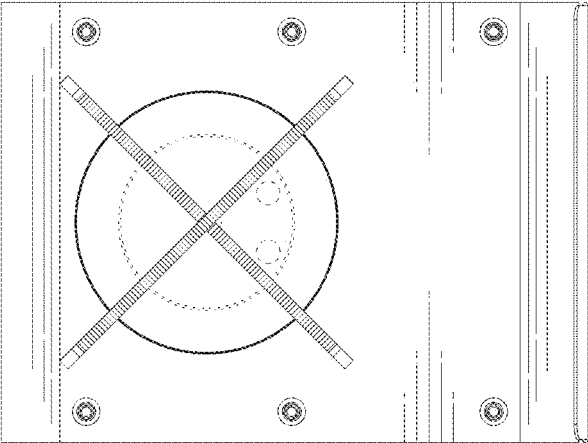


FIG. 6

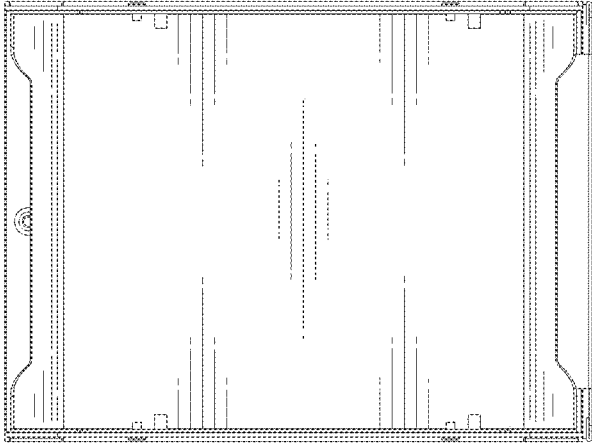


FIG. 7