



US0D1066629S

(12) **United States Design Patent** (10) **Patent No.:** **US D1,066,629 S**
Lobdell, Sr. et al. (45) **Date of Patent:** **** Mar. 11, 2025**

(54) **V-BANK FILTER**

FOREIGN PATENT DOCUMENTS

(71) Applicant: **Healthway Home Products Company Inc.**, Pulaski, NY (US)

CN 204034468 U 12/2014
WO WO 1998/020961 5/1998

(Continued)

(72) Inventors: **Vincent G. Lobdell, Sr.**, Pulaski, NY (US); **Alexander Thomas Frechette**, Mexico, NY (US); **Timothy George Cusack**, Central Square, NY (US); **Mitchell Raymond Lobdell**, Constantia, NY (US); **Xuchen Wang**, Pulaski, NY (US); **Brooke Alan Rowe**, Vernon, NY (US); **Kevin Guernsey**, Constantia, NY (US)

OTHER PUBLICATIONS

PCT Application PCT/US2021/044872 International Search Report and Written Opinion dated Nov. 9, 2021.

(Continued)

Primary Examiner — David G Muller
(74) *Attorney, Agent, or Firm* — Brake Hughes Bellermann LLP

(73) Assignee: **Healthway Home Products Company Inc.**, Pulaski, NY (US)

(57) **CLAIM**

The ornamental design of a V-bank filter as shown and described.

(**) Term: **15 Years**

(21) Appl. No.: **29/813,637**

DESCRIPTION

(22) Filed: **Oct. 29, 2021**

FIG. 1 illustrates a view of a left side view of a V-bank filter. FIG. 2 illustrates a front view of the V-bank filter. FIG. 3 illustrates a right side view of the V-bank filter. FIG. 4 illustrates a bottom view of the filter. FIG. 5 illustrates a top view of the V-bank filter. FIG. 6 illustrates a frontal perspective front view of the V-bank filter where the right side of the V-bank filter has been rotated to be on the top of FIG. 2A. FIG. 7 illustrates a rear perspective rear view of the V-bank filter where the right side of the V-bank filter has been rotated to be on the top of FIG. 2B. FIG. 8 illustrates a second frontal perspective front view of the V-bank filter that includes the right side of the V-bank filter. FIG. 9 illustrates a second perspective rear view of the filter that includes the right side of the V-bank filter; and, FIG. 10 illustrates a third perspective rear view of the V-bank filter including the left side of the V-bank filter. The broken lines in the figures show portions of the V-bank filter that form no part of the claimed design.

Related U.S. Application Data

(63) Continuation of application No. 17/395,554, filed on Aug. 6, 2021, now Pat. No. 12,109,525.

(51) **LOC (15) Cl.** **23-04**

(52) **U.S. Cl.**
USPC **D23/365**

(58) **Field of Classification Search**
USPC D23/355-366, 352, 369, 332, 333, 335,
D23/336, 342, 351

(Continued)

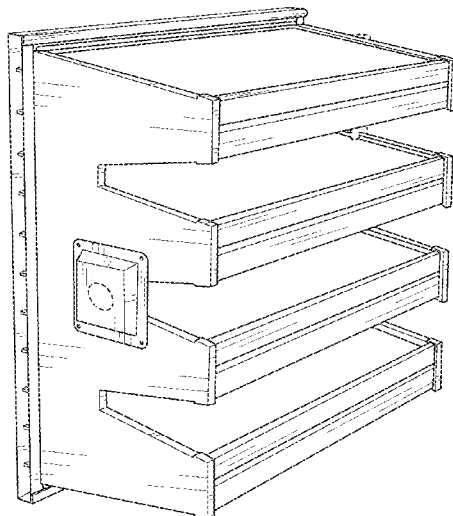
(56) **References Cited**

U.S. PATENT DOCUMENTS

3,999,964 A 12/1976 Carr
4,853,005 A 8/1989 Jaisinghani et al.

(Continued)

1 Claim, 5 Drawing Sheets



(58) **Field of Classification Search**
 CPC B01D 46/0004; B01D 46/0005; B01D
 46/0006; B01D 46/0008; B01D 46/0009;
 B01D 46/001; B01D 46/0012; B01D
 46/0013; B01D 46/0015; B01D 46/0016;
 B01D 46/0017; F24F 13/28
 See application file for complete search history.

2018/0154297 A1 6/2018 Maletich et al.
 2018/0318747 A1 11/2018 Poon et al.
 2019/0041079 A1 2/2019 Kohn et al.
 2019/0117815 A1 4/2019 Wei et al.
 2019/0234146 A1 8/2019 Weightman
 2020/0061635 A1 2/2020 Wisner et al.
 2022/0040625 A1 2/2022 Lobdell
 2022/0314155 A1 10/2022 Cusack
 2022/0339314 A1 10/2022 Lobdell
 2022/0373202 A1 11/2022 Lobdell

(56) **References Cited**

U.S. PATENT DOCUMENTS

5,403,383 A 4/1995 Jaisinghani
 5,428,964 A 7/1995 Lobdell
 5,549,735 A 8/1996 Coppom et al.
 5,593,476 A 1/1997 Coppom
 6,245,126 B1 6/2001 Feldman et al.
 6,679,940 B1 1/2004 Oda
 7,156,898 B2 1/2007 Jaisinghani
 7,258,729 B1 8/2007 Barsimanto et al.
 7,513,933 B2 4/2009 Coppom et al.
 7,914,604 B2 3/2011 Mello et al.
 8,409,336 B2 4/2013 Gatchell et al.
 D742,496 S * 11/2015 Carter D23/365
 D774,634 S * 12/2016 Hugues D23/365
 D784,509 S * 4/2017 Hugues D23/365
 9,789,494 B2 10/2017 Wisner et al.
 D864,370 S * 10/2019 Gallet B01D 46/121
 D23/365
 D893,694 S * 8/2020 Hugues B01D 46/121
 D23/365
 11,524,257 B2 12/2022 Wisner et al.
 D992,714 S * 7/2023 Bridgemohan D23/365
 2002/0056372 A1 5/2002 O'Hara et al.
 2004/0070156 A1 4/2004 Smith et al.
 2004/0129140 A1 7/2004 Park et al.
 2005/0207951 A1 9/2005 Lee et al.
 2006/0079172 A1 4/2006 Fleming et al.
 2006/0096261 A1 5/2006 Zhang
 2006/0150816 A1 7/2006 Jaisinghani
 2007/0039462 A1 2/2007 Helt et al.
 2007/0039472 A1 2/2007 Bias et al.
 2008/0041138 A1 2/2008 Marra
 2012/0124961 A1 5/2012 Jarrier et al.
 2014/0353236 A1 12/2014 Mann
 2015/0246308 A1 9/2015 Lans
 2017/0246573 A1 8/2017 Crabtree et al.
 2018/0066779 A1 3/2018 Jaeger et al.

FOREIGN PATENT DOCUMENTS

WO 2015172369 A1 11/2015
 WO 2022/032051 2/2022
 WO WO 2022/212877 10/2022
 WO WO 2022/232147 11/2022
 WO WO 2022/245982 11/2022

OTHER PUBLICATIONS

U.S. Appl. No. 17/729,726, Vincent Lobdell, Disinfecting Air
 Filtrations System Configuration, filed Apr. 26, 2022.
 PCT/US22/26353, Disinfecting Air Filtrations System Configura-
 tion, Apr. 26, 2022.
 U.S. Appl. No. 17/711,734, Timothy G. Cusack, Front-Loaded
 Inline Modular Filtration System, filed Apr. 1, 2022.
 PCT/US22/23108, Front-Loaded Inline Modular Filtration System,
 Apr. 1, 2022.
 U.S. Appl. No. 17/747,840, Vincent Lobdell, Fan Powered Air
 Filtration Unit, filed May 18, 2022.
 PCT/US22/29885, Fan Powered Air Filtration Unit, May 18, 2022.
 PCT Application PCT/US2022/026353 International Search Report
 and Written Opinion dated Jul. 28, 2022.
 PCT Application PCT/US2022/023108 International Search Report
 and Written Opinion dated Aug. 12, 2022.
 PCT Application PCT/US2022/029885 International Search Report
 and Written Opinion dated Jul. 28, 2022.
 Chinese Application No. 202230063845 Office Action dated Jun. 2,
 2022.
 U.S. Appl. No. 17/395,554, Vincent Lobdell, V-Bank Filter, filed
 Aug. 6, 2021.
 PCT/US21/44872, V-Bank Filter, Aug. 6, 2021.
 Extended European Search Report for European Application No.
 21854189.4, mailed Aug. 16, 2024, 29 pages.

* cited by examiner

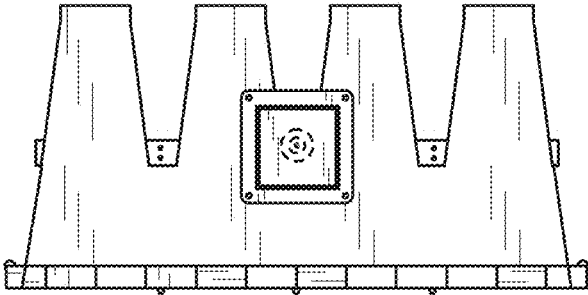


FIG. 3

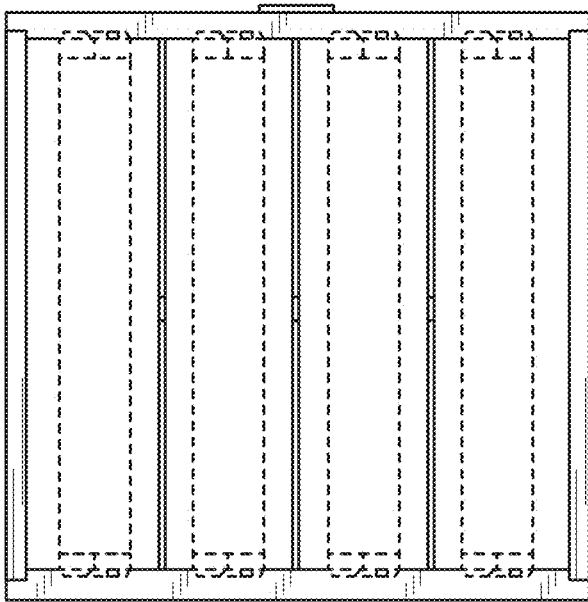


FIG. 2

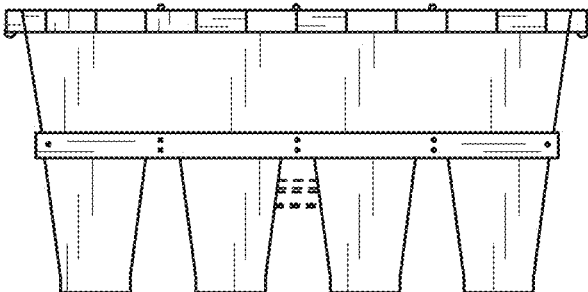


FIG. 1

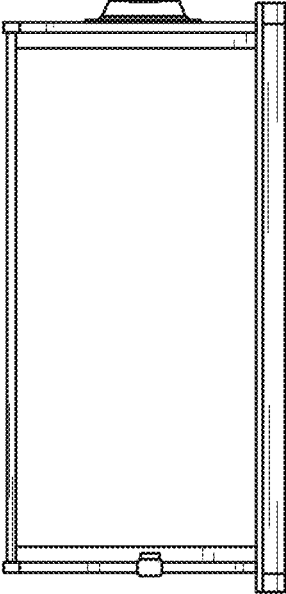


FIG. 5

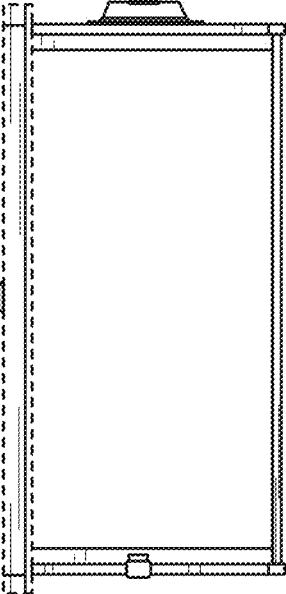


FIG. 4

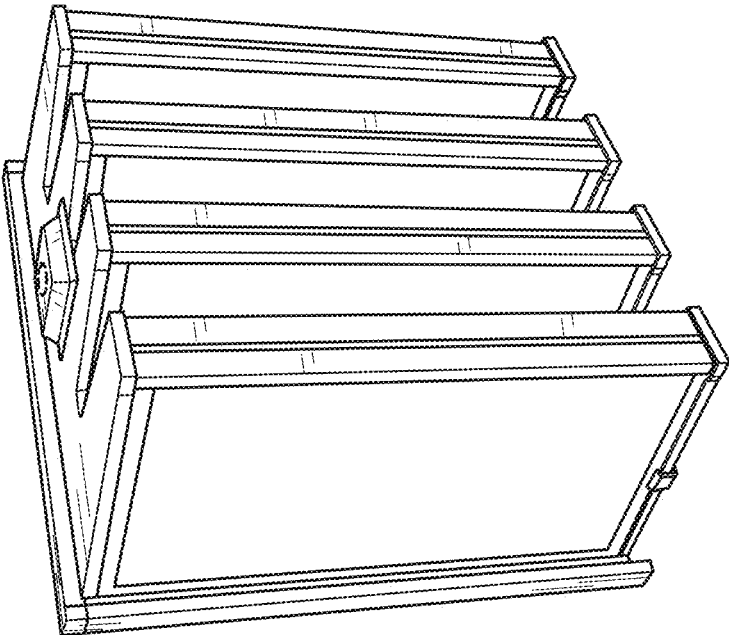


FIG. 7

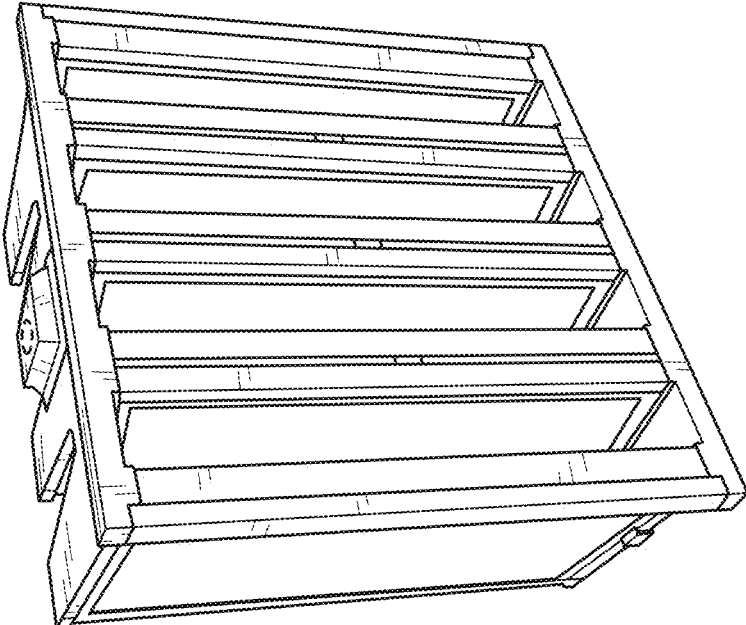


FIG. 6

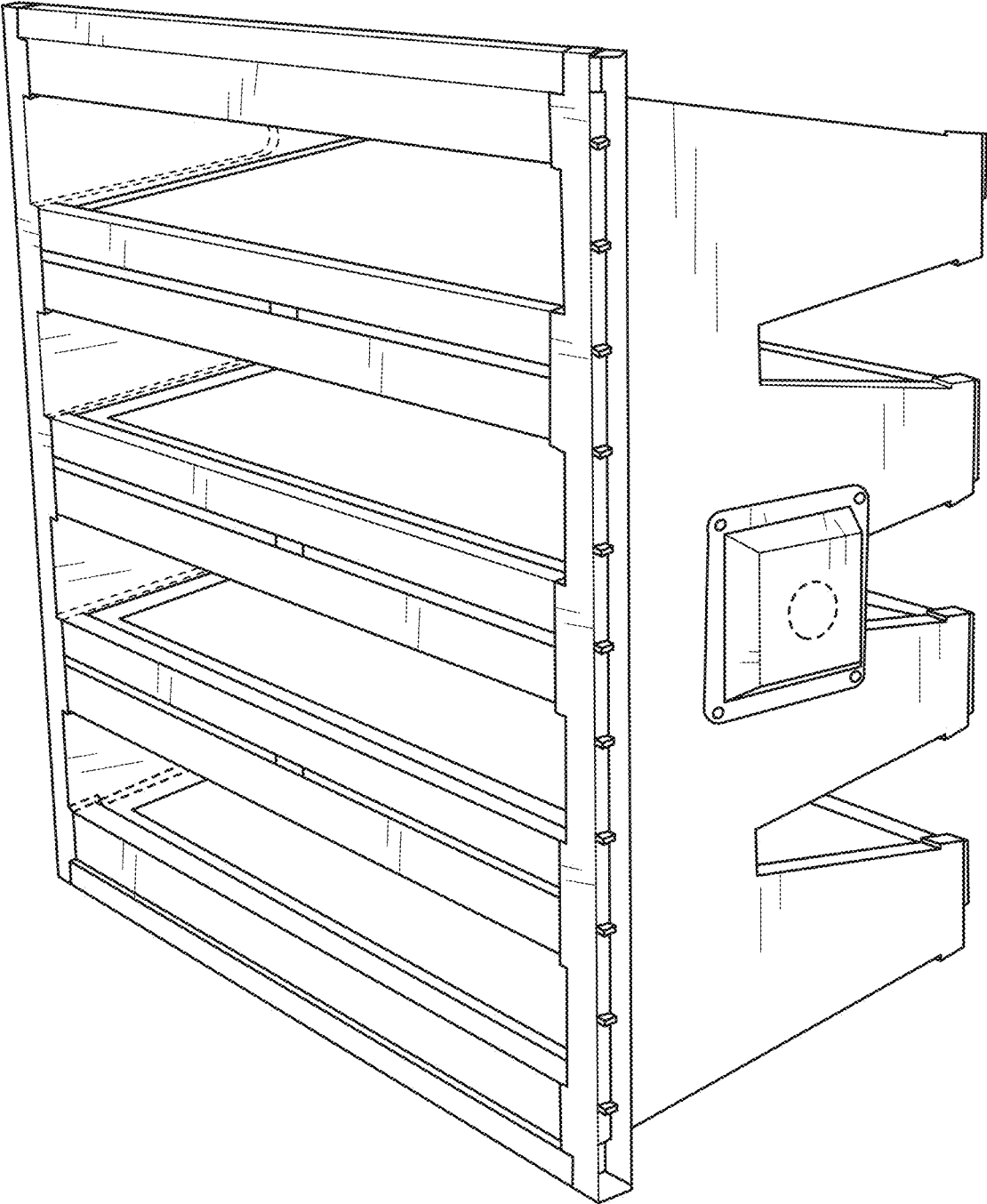


FIG. 8

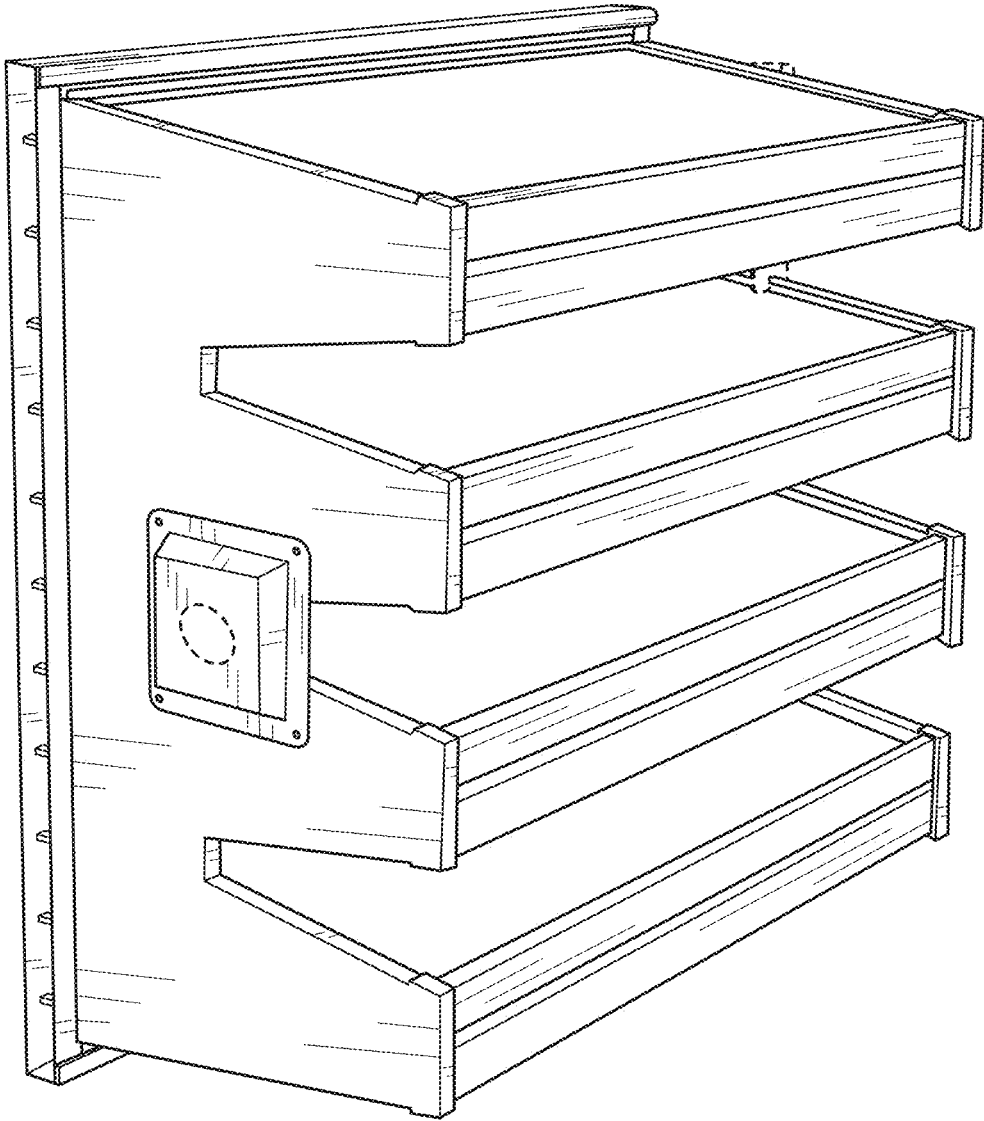


FIG. 9

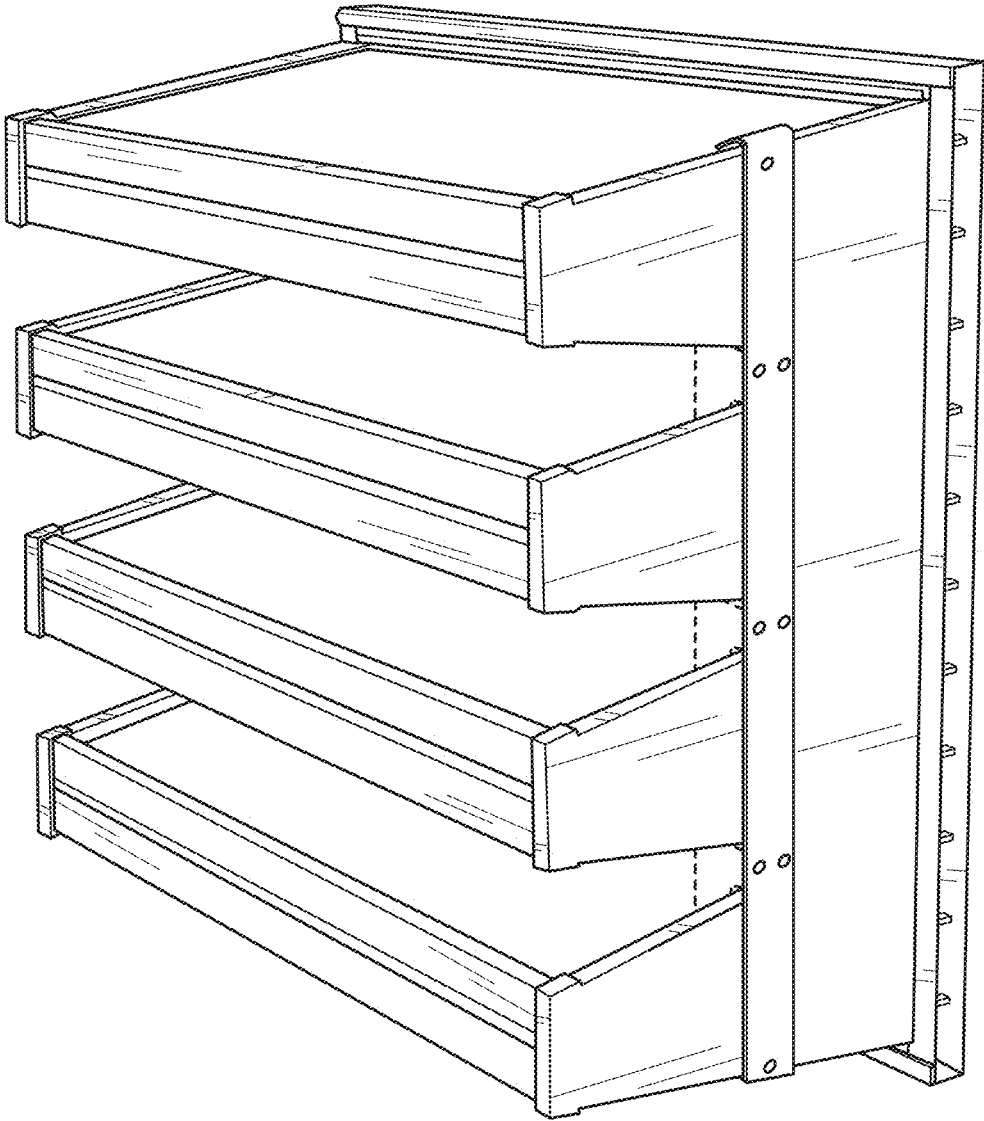


FIG. 10