



US00D583820S

(12) **United States Design Patent**
O'Shea

(10) **Patent No.:** **US D583,820 S**

(45) **Date of Patent:** **** Dec. 30, 2008**

- (54) **DOCKING STATION**
 - (75) Inventor: **James E. O'Shea**, Hoffman Estates, IL (US)
 - (73) Assignee: **Olympic Controls Corp.**, Elgin, IL (US)
 - (**) Term: **14 Years**
 - (21) Appl. No.: **29/291,563**
 - (22) Filed: **Sep. 4, 2007**
 - (51) **LOC (8) Cl.** **14-02**
 - (52) **U.S. Cl.** **D14/434**
 - (58) **Field of Classification Search** D14/432-434, D14/240, 238, 451, 356, 299; D13/146, D13/147, 184, 123, 108, 164, 139.4; 361/600, 361/752, 728, 622, 723, 702, 724, 725, 683-686, 361/732, 733, 735, 730, 729, 785; 710/305, 710/313, 2, 303, 8, 100, 62-64, 72, 314-317, 710/1; 439/501, 502, 131, 701, 535, 752.5, 439/638, 928, 652, 654, 650, 536, 74, 76.1, 439/527, 574, 188, 676, 607, 136, 165; 312/223.1; 257/711, 712; D1/127; 713/310, 300, 320, 713/324, 330; D18/56; 347/86
- See application file for complete search history.

(56) **References Cited**

U.S. PATENT DOCUMENTS

5,186,646	A	2/1993	Pederson	
D349,230	S *	8/1994	Essick	D8/347
D365,340	S *	12/1995	Hill et al.	D14/356
D371,769	S	7/1996	Shima et al.	
D381,360	S *	7/1997	Kawai et al.	D18/56
5,645,434	A *	7/1997	Leung	439/74
5,779,499	A *	7/1998	Sette et al.	439/540.1
D414,165	S *	9/1999	Klein	D14/432
D421,424	S	3/2000	Lee et al.	
6,167,183	A *	12/2000	Swain	385/135
6,321,340	B1 *	11/2001	Shin et al.	713/310
6,607,408	B2 *	8/2003	Milan	439/752.5
6,612,873	B2 *	9/2003	Reid et al.	439/638
6,722,917	B2 *	4/2004	Huang	439/501
D494,934	S *	8/2004	Milan	D13/133
D495,336	S	8/2004	Andre et al.	
D500,497	S *	1/2005	Yu et al.	D14/240
7,247,032	B2 *	7/2007	Merz	439/76.1

2002/0168901	A1 *	11/2002	Choumach	439/638
2003/0148663	A1 *	8/2003	Hsin	439/638
2003/0216069	A1 *	11/2003	Huang	439/105
2004/0246644	A1 *	12/2004	Sato et al.	361/119
2007/0035917	A1	2/2007	Hotelling et al.	

OTHER PUBLICATIONS

- BookEndz, Docking Stations For Apple Laptops, 2005, 2 pages.
- BookEndz, Flyer for MacBook Pro 17" Docking Station, available before Aug. 12, 2006, 1 page.
- BookEndz, Flyer for MacBook Pro 15" w/Firewire 800 Docking Station, available before Aug. 12, 2006, 1 page.
- BookEndz, MacBook Pro 15" Docking Station, available before Aug. 12, 2006, 1 page.
- BookEndz, Website pages pertaining to BookEndz Docking Station for 17" MacBook Pro, available before Aug. 12, 2006, 7 pages.
- BookEndz, Website pages pertaining to BookEndz Docking Station for 15" MacBook Pro—Firewire 800, available before Aug. 12, 2006, 8 pages.
- BookEndz, Website pages pertaining to BookEndz Docking Station for 15" MacBook Pro, available before Aug. 12, 2006, 9 pages.

(Continued)

Primary Examiner—Susan Moon Lee
(74) *Attorney, Agent, or Firm*—Edward Bishop

(57) **CLAIM**

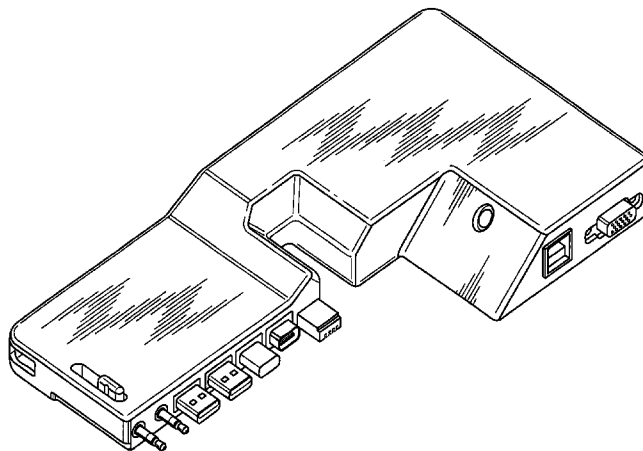
The ornamental design for a docking station, as shown and described.

DESCRIPTION

- FIG. 1 is a top plan view of a docking station;
- FIG. 2 is a bottom plan view thereof;
- FIG. 3 is a front elevation view thereof;
- FIG. 4 is a rear elevation view thereof;
- FIG. 5 is a right side elevation view thereof;
- FIG. 6 is a left side elevation view thereof; and,
- FIG. 7 is a perspective view thereof.

The portions shown in broken line are not claimed.

1 Claim, 5 Drawing Sheets



OTHER PUBLICATIONS

BookEndz, Website pages pertaining to BookEndz Dock for the 17"
PowerBook G4, available before Aug. 12, 2006, 7 pages.
BookEndz, Website pages pertaining to BookEndz Dock for the 15"
PowerBook G4, available before Aug. 12, 2006, 6 pages.
BookEndz, Website pages pertaining to BookEndz Dock for the 12"
PowerBook G4—DVI, available before Aug. 12, 2006, 4 pages.

BookEndz, Website pages pertaining to BookEndz Dock for the 12"
PowerBook G4, available before Aug. 12, 2006, 4 pages.

BookEndz, Website pages pertaining to BookEndz Dock for the 2002
PowerBook G4, available before Aug. 12, 2006, 3 pages.

* cited by examiner

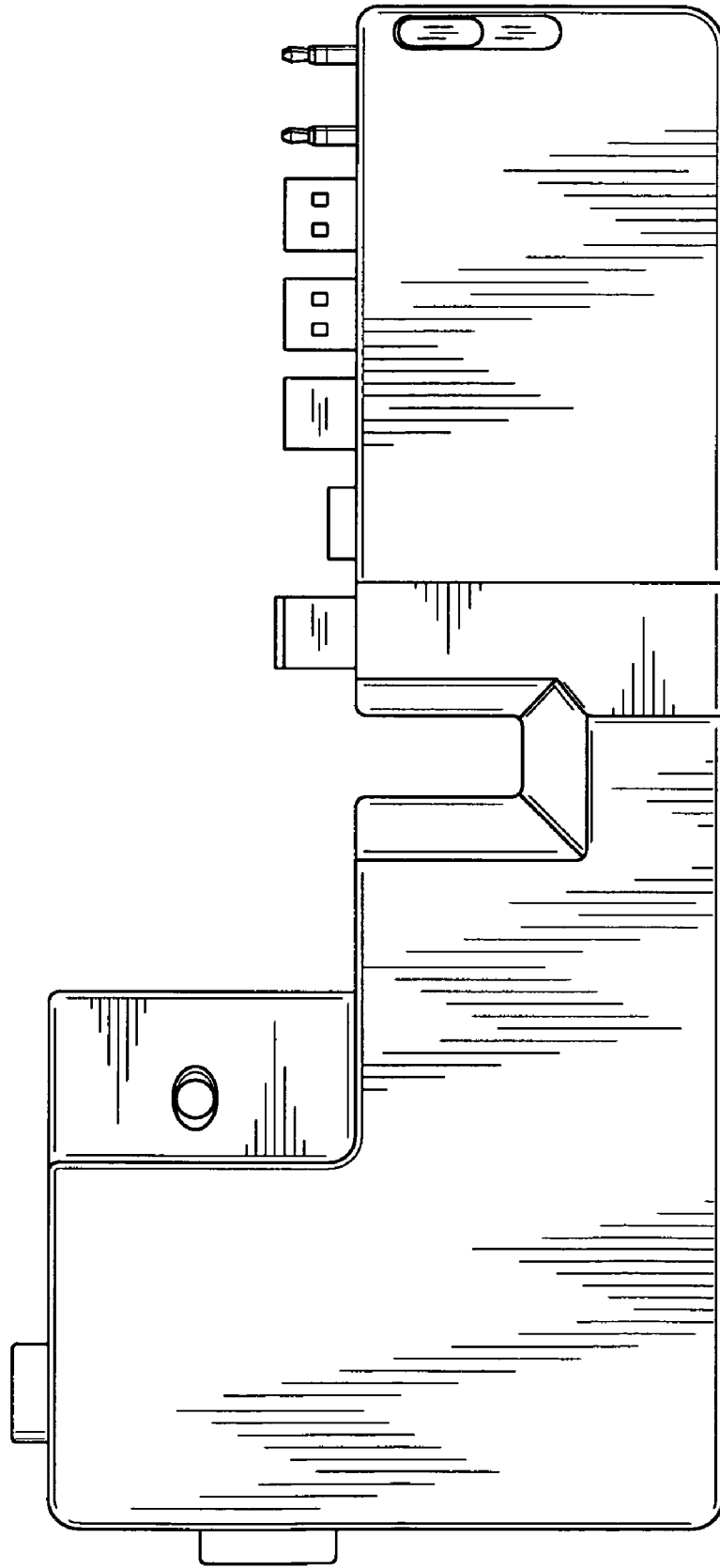


Fig. 1



Fig. 2

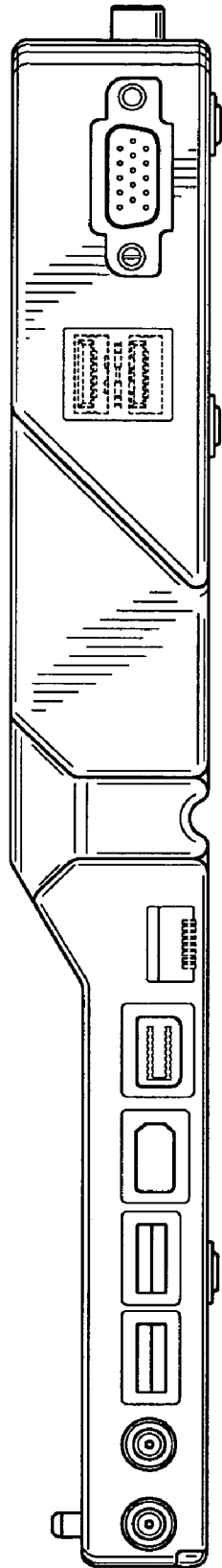


Fig. 3

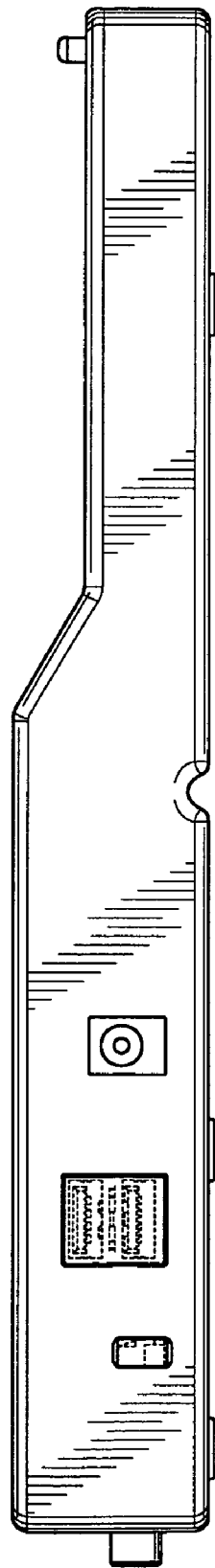


Fig. 4

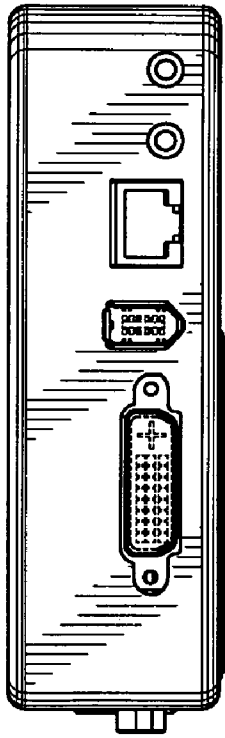


Fig. 5

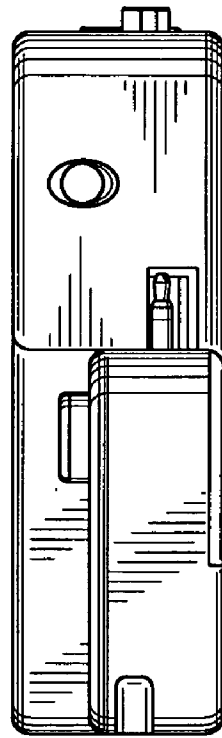


Fig. 6

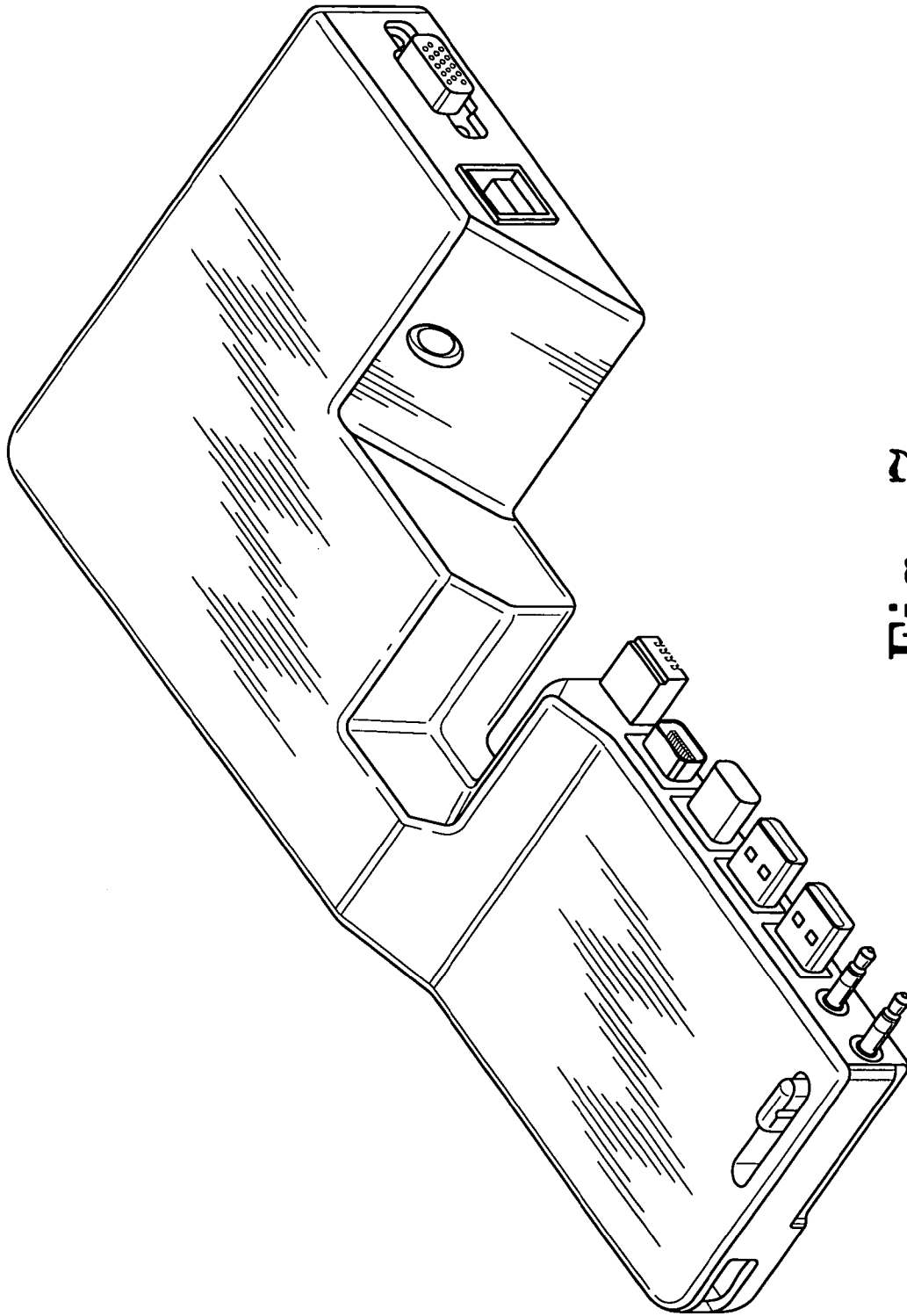


Fig. 7