



US00D735259S

(12) **United States Design Patent**
Vermaak et al.

(10) **Patent No.:** **US D735,259 S**

(45) **Date of Patent:** **** Jul. 28, 2015**

(54) **WEARABLE RECORDING DEVICE**

(71) Applicant: **B-Cam Ltd**, Port Isaac, Cornwall (GB)

(72) Inventors: **Jan Hermanus Vermaak**, Reading (GB); **Ma Qiang**, Shenzhen (CN)

(73) Assignee: **B-CAM LTD**, Port Isaac, Cornwall (GB)

(**) Term: **14 Years**

(21) Appl. No.: **29/481,309**

(22) Filed: **Feb. 4, 2014**

(51) **LOC (10) Cl.** **16-01**

(52) **U.S. Cl.** **D16/218**
USPC

(58) **Field of Classification Search**

USPC D16/200, 202–205, 208, 218, 219;
D14/125, 167, 496, 507; 348/373–376;
396/535, 539–541

CPC G03B 15/03; G03B 17/02; G03B 17/04;
G03B 17/56; G03B 19/04; H04N 5/2251;
H04N 5/2252; H04N 5/2253; H04N 5/2254;
H04N 2101/00

See application file for complete search history.

(56) **References Cited**

U.S. PATENT DOCUMENTS

D504,905 S * 5/2005 Tullberg et al. D16/218
D548,220 S * 8/2007 Takagi D14/167
7,471,334 B1 * 12/2008 Stenger 348/373
D616,009 S * 5/2010 Schnell D16/218
D616,901 S * 6/2010 Ward et al. D14/507
D628,614 S * 12/2010 Barley et al. D16/219

D630,236 S * 1/2011 Lian D16/203
D638,047 S * 5/2011 Lian D16/203
D655,736 S * 3/2012 Barley et al. D16/203
D682,339 S * 5/2013 Uppiano et al. D16/218
2011/0122248 A1 * 5/2011 Goodman 348/143
2014/0092299 A1 * 4/2014 Phillips et al. 348/376

* cited by examiner

Primary Examiner — Susan E Krakower

Assistant Examiner — Ramzi Almatrahi

(74) *Attorney, Agent, or Firm* — Howard & Howard Attorneys PLLC

(57) **CLAIM**

We claim the ornamental design for a wearable recording device, as shown and described.

DESCRIPTION

FIG. 1 is a front perspective view of the new design of a wearable recording device;

FIG. 2 is a front elevation view of the wearable recording device;

FIG. 3 is a rear elevation view of the wearable recording device;

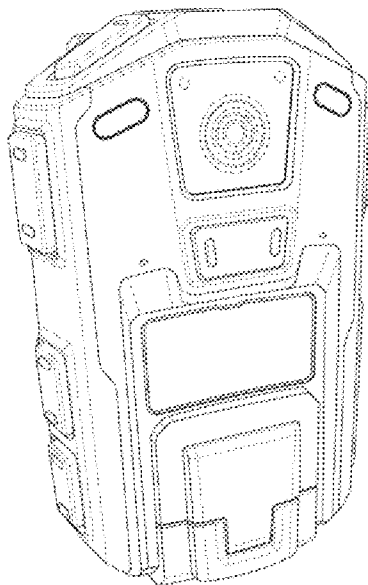
FIG. 4 is a left side elevation view of the wearable recording device;

FIG. 5 is a right side elevation view of the wearable recording device;

FIG. 6 is a top plan view of the wearable recording device; and,

FIG. 7 is a bottom plan view of the wearable recording device. The broken lines depict portions of the wearable recording device in which the design is embodied and form no part of the claimed design.

1 Claim, 6 Drawing Sheets



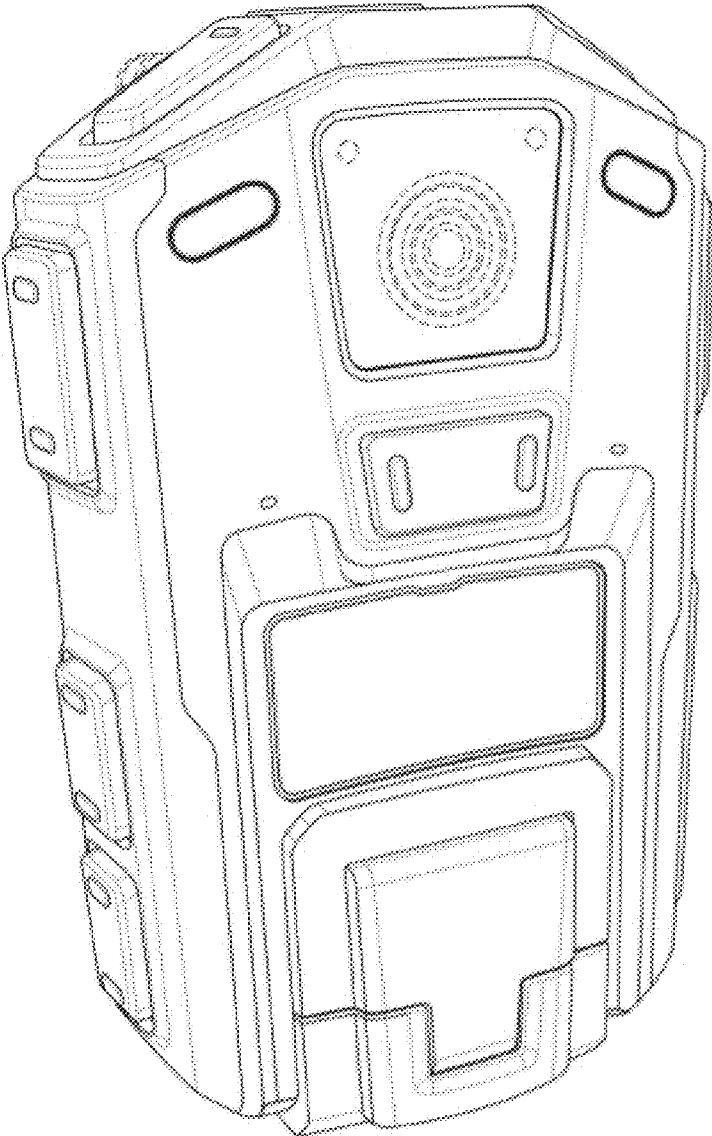


FIG. 1

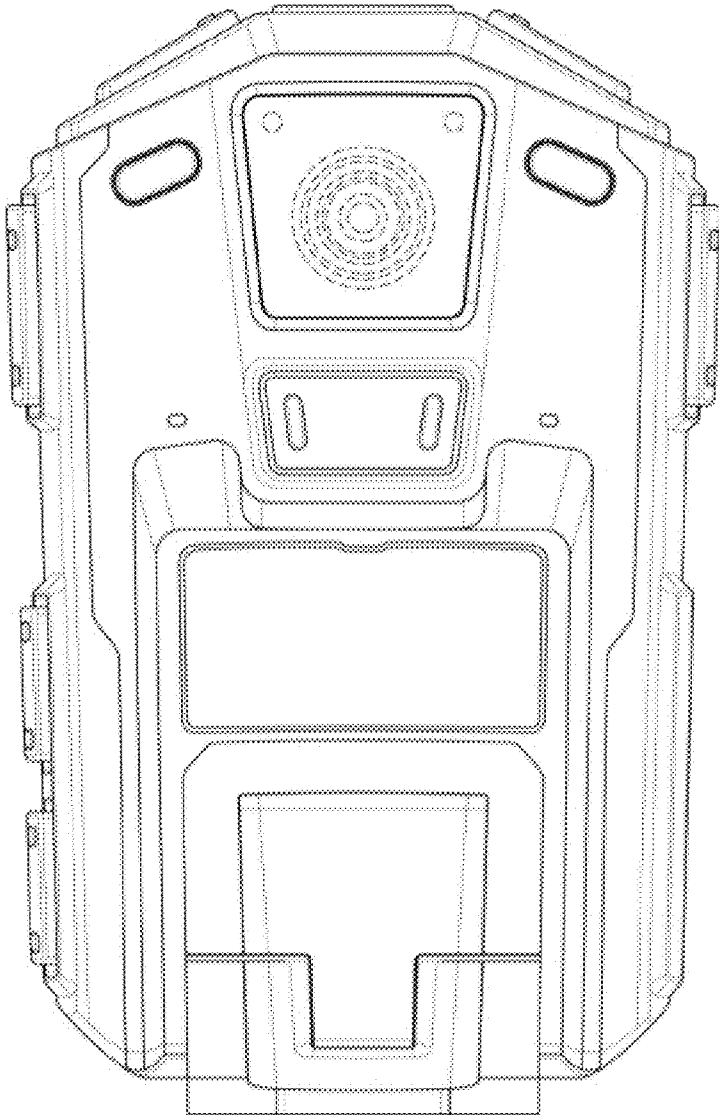


FIG. 2

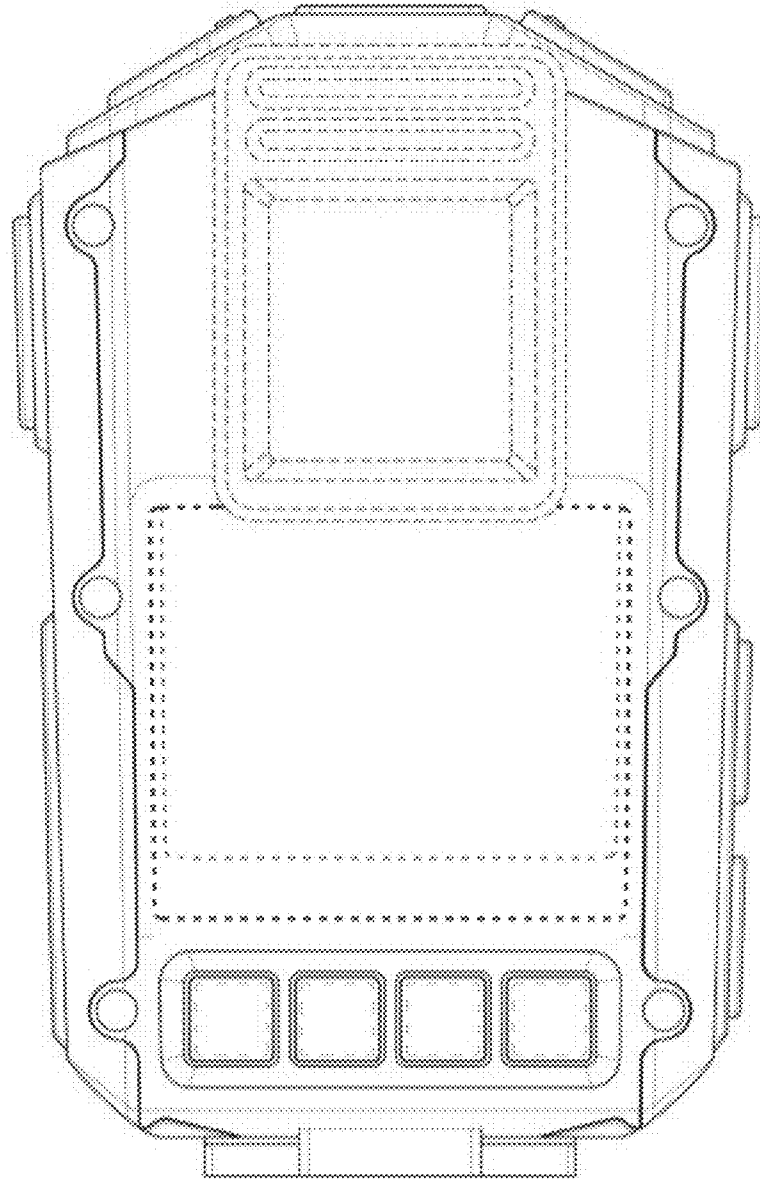


FIG. 3

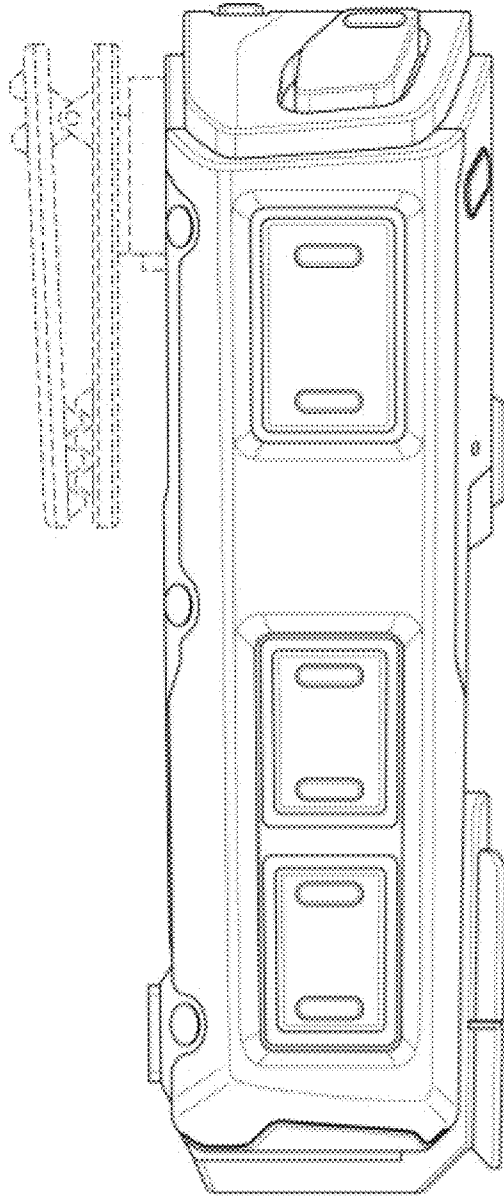


FIG. 4

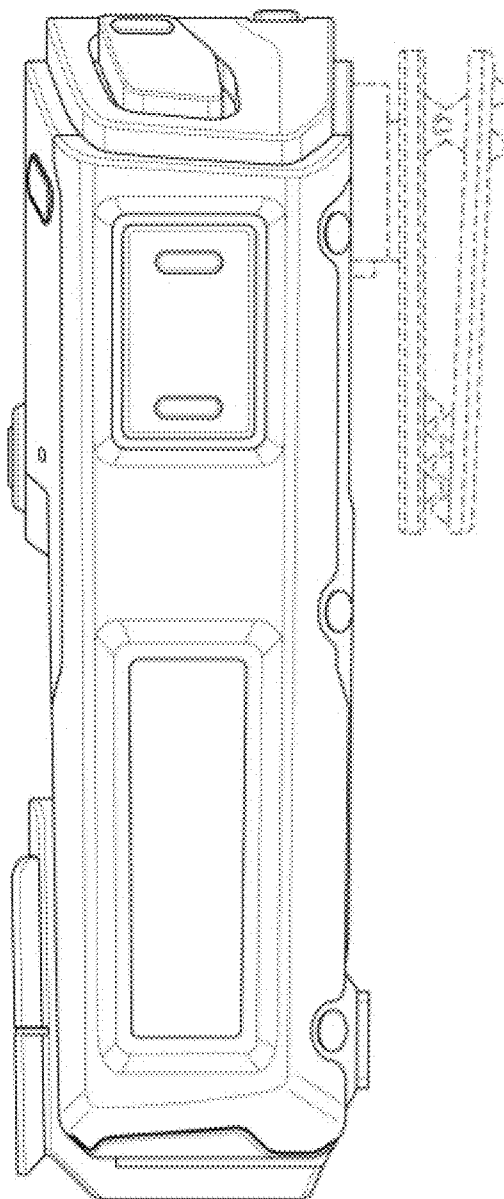


FIG. 5

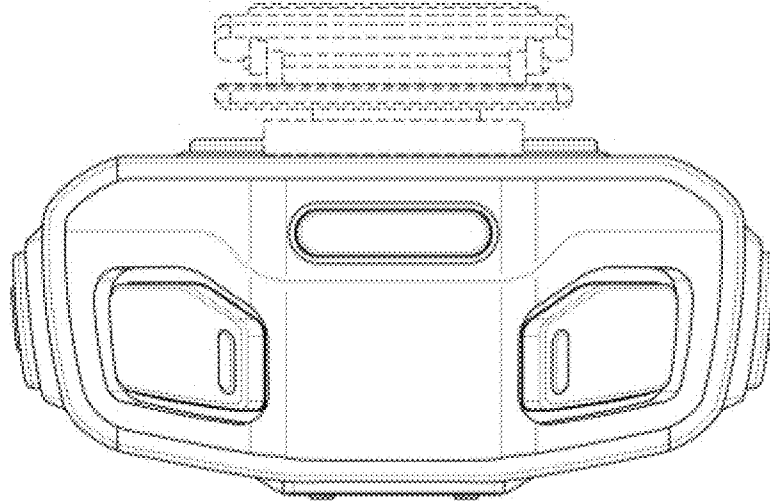


FIG. 6

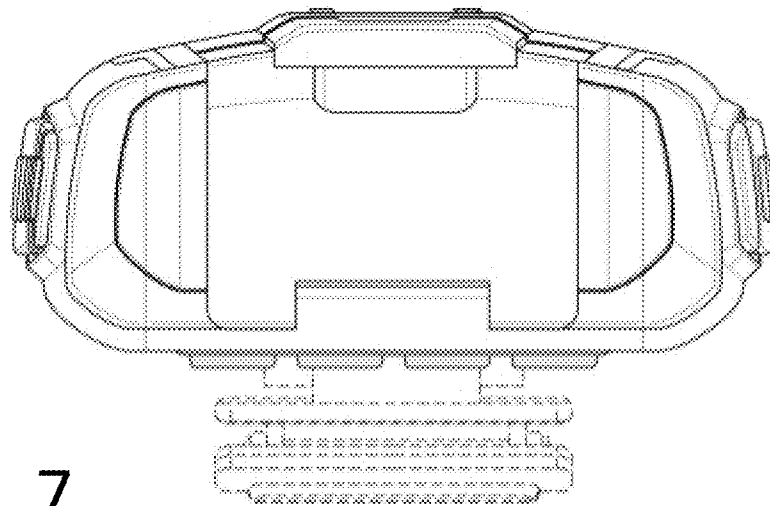


FIG. 7