



(12) **United States Design Patent**
HibmaCronan et al.

(10) **Patent No.:** **US D790,460 S**
(45) **Date of Patent:** **** Jun. 27, 2017**

(54) **WI-FI DEVICE**

FOREIGN PATENT DOCUMENTS

(71) Applicant: **Plume Design, Inc.**, Palo Alto, CA (US)

EM 003165448-0001 * 6/2016

(72) Inventors: **Christopher N. HibmaCronan**, Oakland, CA (US); **Joshua Morenstein**, San Francisco, CA (US); **Willy Carteau**, Oakland, CA (US)

OTHER PUBLICATIONS

What is Plume WiFi—Episode 1. [online] Published date May 15, 2016. Retrieved on Oct. 17, 2016 from <URL: https://www.youtube.com/watch?v=gti5Gbrn_Sc>.*

(73) Assignee: **Plume Design, Inc.**, Palo Alto, CA (US)

(Continued)

(**) Term: **15 Years**

Primary Examiner — Vy Koenig

Assistant Examiner — Omeed Agilee

(21) Appl. No.: **29/548,785**

(74) *Attorney, Agent, or Firm* — Clements Bernard Walker PLLC; Lawrence A. Baratta, Jr.; Christopher L. Bernard

(22) Filed: **Dec. 16, 2015**

(51) **LOC (10) Cl.** **13-02**

(52) **U.S. Cl.**
USPC **D13/110**

(58) **Field of Classification Search**
USPC D13/102–108, 110, 117–119, 133, 138.1,
D13/184; D11/40–41; D9/430;
D14/349, 351, 353–355
CPC ... H01M 2/02; Y02E 60/12; H02J 7/02; H02J
2007/0096
See application file for complete search history.

(57) **CLAIM**

We claim the ornamental design for a Wi-Fi device, as shown and described.

(56) **References Cited**

DESCRIPTION

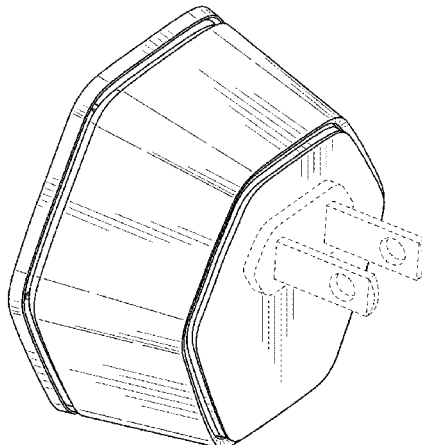
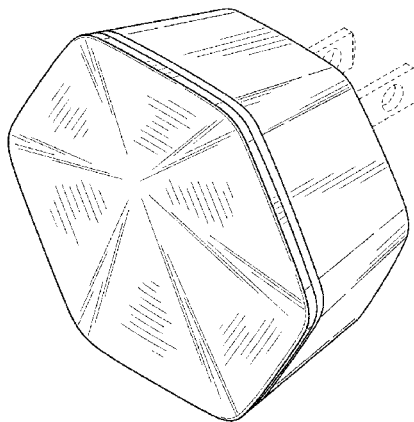
U.S. PATENT DOCUMENTS

2,342,623	A	*	2/1944	Aquino	B65D 5/02 229/108
D243,979	S	*	4/1977	Carter	D6/669
D429,429	S	*	8/2000	Murphy	D6/678
D436,919	S	*	1/2001	Wakefield et al.	
D495,247	S	*	8/2004	Keberlein	D9/418
D610,992	S	*	3/2010	Fahrendorff	D13/138.1
D617,275	S	*	6/2010	Fahrendorff	D13/138.1
D651,169	S	*	12/2011	Zhuan	D13/108
D653,208	S	*	1/2012	Au	D13/108
D665,354	S	*	8/2012	Chen	D13/138.1
D677,223	S	*	3/2013	Cho	
D717,163	S	*	11/2014	Paulsen	D9/431
D724,583	S	*	3/2015	Ge	

(Continued)

FIG. 1 is a front, left, and top perspective view of a Wi-Fi device showing our new design;
FIG. 2 is a rear, left, and top perspective view thereof;
FIG. 3 is a bottom and rear perspective view thereof;
FIG. 4 is a front elevational view thereof;
FIG. 5 is a rear elevational view thereof;
FIG. 6 is a left elevational view thereof;
FIG. 7 is a right elevational view thereof;
FIG. 8 is a top plan view thereof; and,
FIG. 9 is a bottom plan view thereof.
Features shown in broken lines depict portions of the Wi-Fi device that form no part of the claimed design. The shade lines shown throughout the views are intended to indicate surface contour and are not intended to be surface ornamentation.

1 Claim, 4 Drawing Sheets



(56)

References Cited

U.S. PATENT DOCUMENTS

D727,722 S * 4/2015 Beland D9/430
D732,472 S * 6/2015 Laffon D13/110
D737,523 S * 8/2015 Strbik, III D29/101.3
D741,257 S * 10/2015 Sumida D13/108
D742,309 S * 11/2015 Sumida D13/108
D745,460 S * 12/2015 Zaslavsky D13/138.1
D764,909 S * 8/2016 Tulin D9/430
D765,082 S * 8/2016 Allen, Sr. D14/433
D769,070 S * 10/2016 Heimsoth D7/509

OTHER PUBLICATIONS

Brand Assets. [online] Published date unknown. Retrieved on Oct. 17, 2016 from <URL: <https://www.plumewifi.com/press>> *

“EW-7438RPn Air Overview” Edimax Website, Accessed on Nov. 17, 2015 at http://www.edimax.com/edimax/merchandise/merchandise_detail/data/edimax/global/wi-fi_range_extenders_n300/ew-7438rpn_air/.

“N600 WiFi Range Extender” Netgear Website, Accessed on Nov. 17, 2015 at <http://www.netgear.com/home/products/networking/wifi-range-extenders/WN3500RP.aspx>.

“300Mbps Wi-Fi Range Extender, AV500 Powerline Edition” TP-LINK Website, Accessed on Nov. 17, 2015 at http://www.tp-link.us/products/details/cat-5034_TL-WPA4220KIT.html.

* cited by examiner

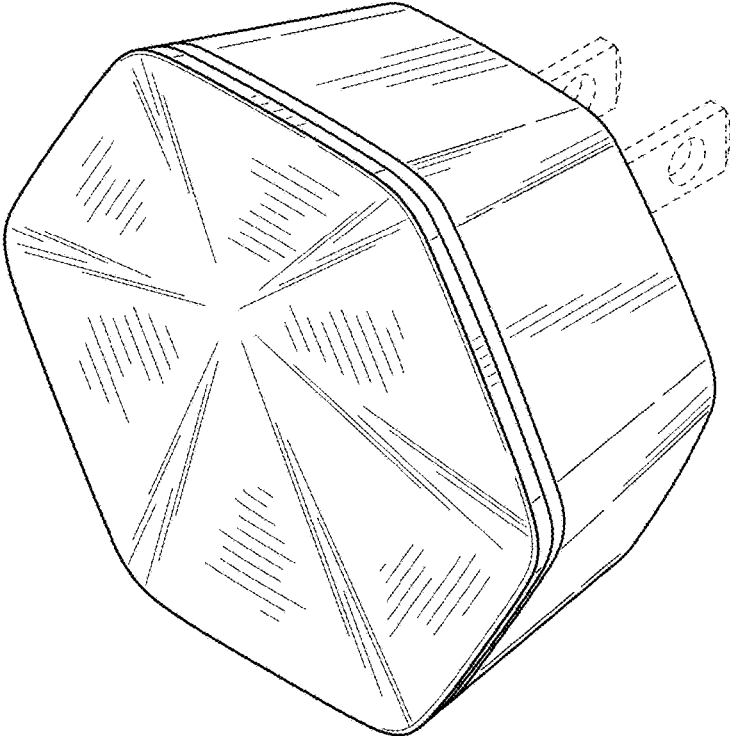


FIG. 1

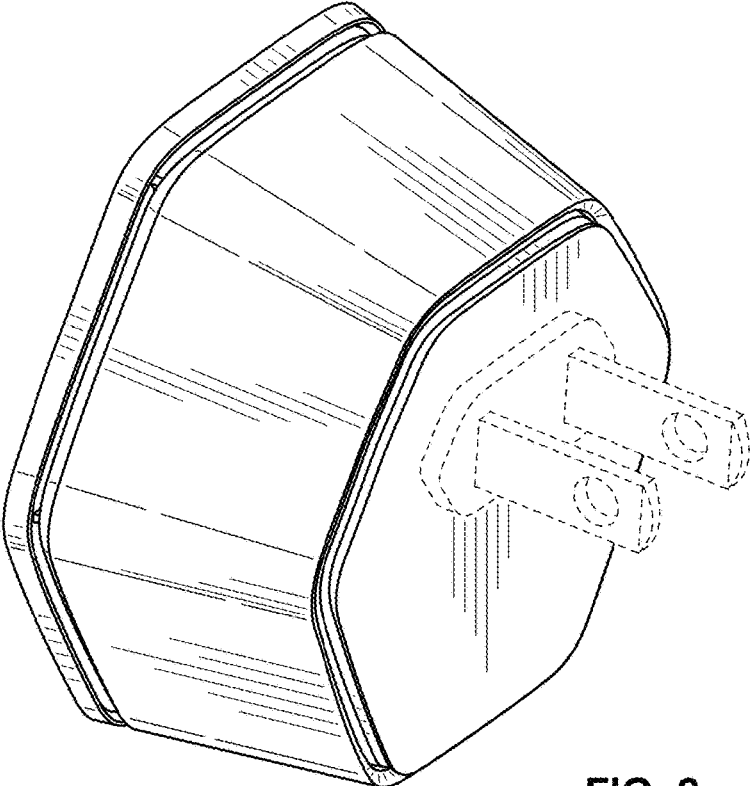


FIG. 2

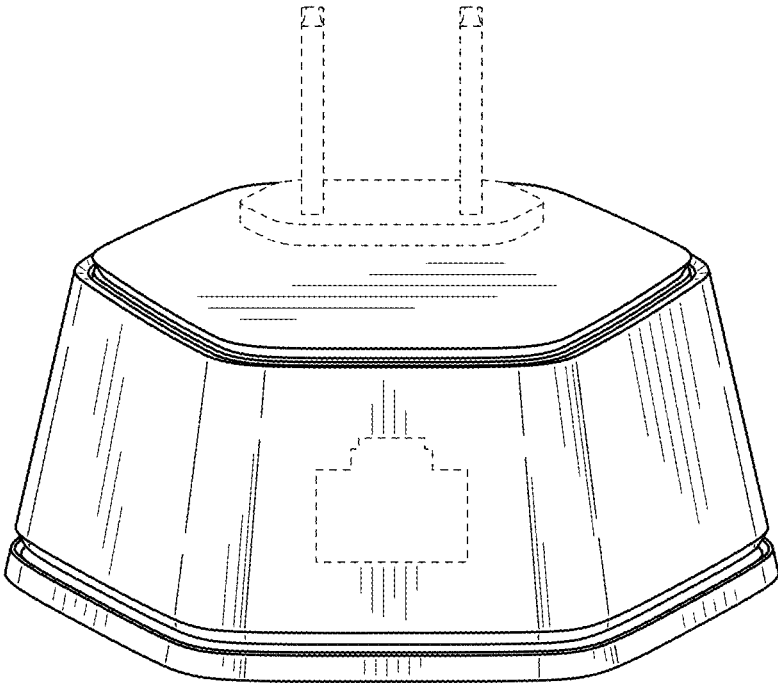


FIG. 3

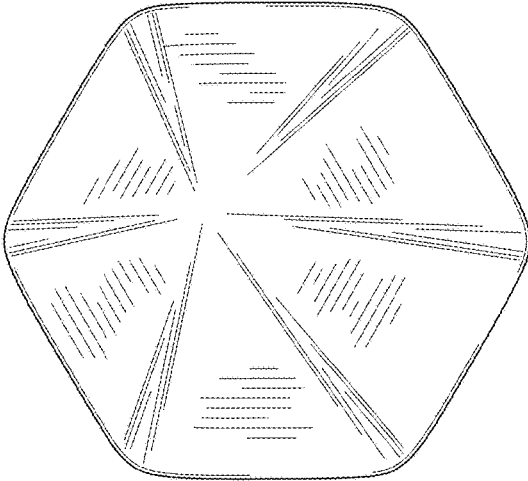


FIG. 4

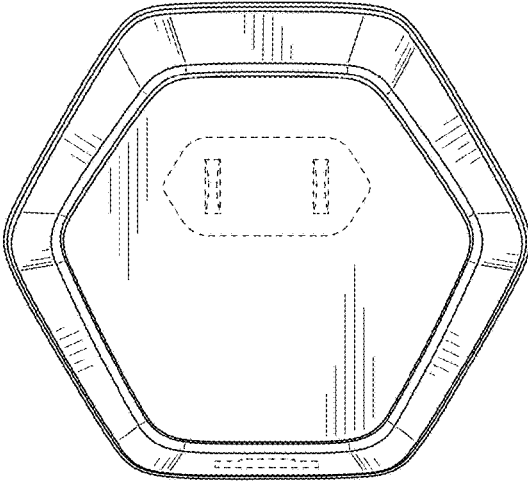


FIG. 5

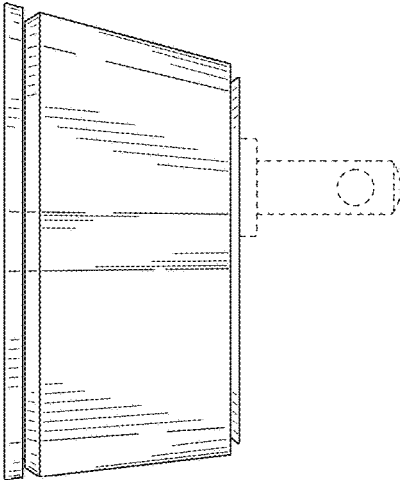


FIG. 6

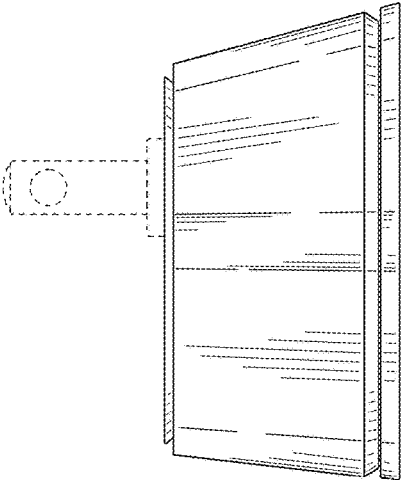


FIG. 7

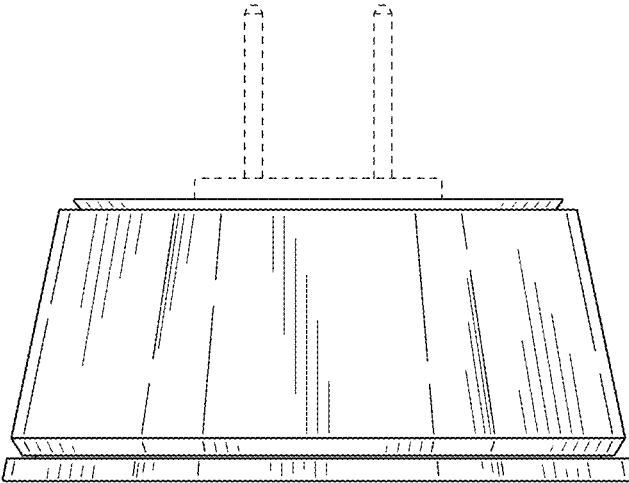


FIG. 8

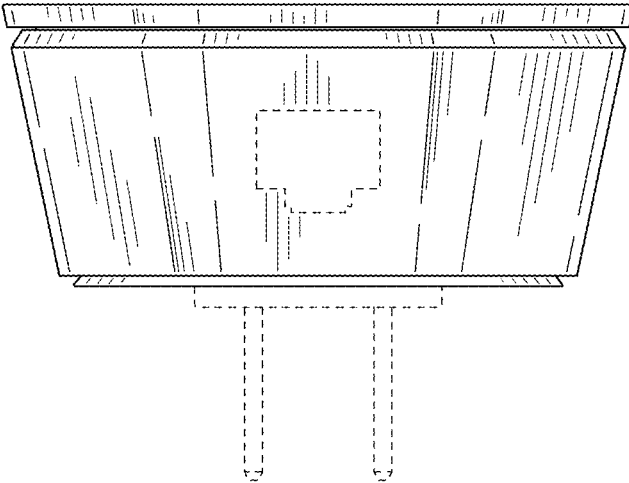


FIG. 9