



US00D647518S

(12) **United States Design Patent**
Fathollahi

(10) **Patent No.:** **US D647,518 S**

(45) **Date of Patent:** **** *Oct. 25, 2011**

(54) **CASE**

(75) **Inventor:** **Andy Fathollahi**, Irvine, CA (US)

(73) **Assignee:** **Incipio Technologies, Inc.**, Irvine, CA (US)

(*) **Notice:** This patent is subject to a terminal disclaimer.

(**) **Term:** **14 Years**

(21) **Appl. No.:** **29/356,973**

(22) **Filed:** **Mar. 4, 2010**

(51) **LOC (9) Cl.** **14-03**

(52) **U.S. Cl.** **D14/250**

(58) **Field of Classification Search** D3/201, D3/215, 218, 269, 273, 294; D14/140, 142, D14/203.3, 217, 218, 240, 242, 250-253, D14/299, 358, 440, 450; D13/103, 107, D13/108.119; 220/4.02; 224/119, 191, 240, 224/241, 245, 682, 683; 248/309.1; 361/679.3, 361/679.56; 379/454, 455; 455/575.1, 575.6, 455/575.7, 575.8, 575.9; 190/100; 206/305, 206/320

See application file for complete search history.

(56) **References Cited**

U.S. PATENT DOCUMENTS

D107,221 S	11/1937	Dewsbury
2,967,714 A	1/1961	Rosario
3,192,978 A	7/1965	William-Horvath
D287,905 S	1/1987	Oyamada
D317,255 S	6/1991	Turk
D320,992 S	10/1991	Jondelius
D339,690 S	9/1993	Takahashi et al.
D346,275 S	4/1994	Hayasaka et al.
D371,137 S	6/1996	Kriegh
D387,199 S	12/1997	Nagele et al.
D389,641 S	1/1998	McCutcheon et al.
D392,097 S	3/1998	Pottala et al.

5,755,367 A	5/1998	Yamada
D400,209 S	10/1998	Williams et al.
D400,497 S	11/1998	Sabag et al.
D406,191 S	3/1999	Phillips et al.
D419,290 S	1/2000	Treyer et al.
D434,898 S	12/2000	Jokinen et al.
6,239,968 B1	5/2001	Kim et al.

(Continued)

FOREIGN PATENT DOCUMENTS

WO DM/058570 11/2001

OTHER PUBLICATIONS

BlackBerry Storm Computer Series Case, URL:<http://www.otterbox.com/blackberry-storm-commuter-case/>>Mar. 24, 2010.

(Continued)

Primary Examiner — Raphael Barkai

Assistant Examiner — Randall Gholson

(74) *Attorney, Agent, or Firm* — Knobbe, Martens, Olson & Bear, LLP

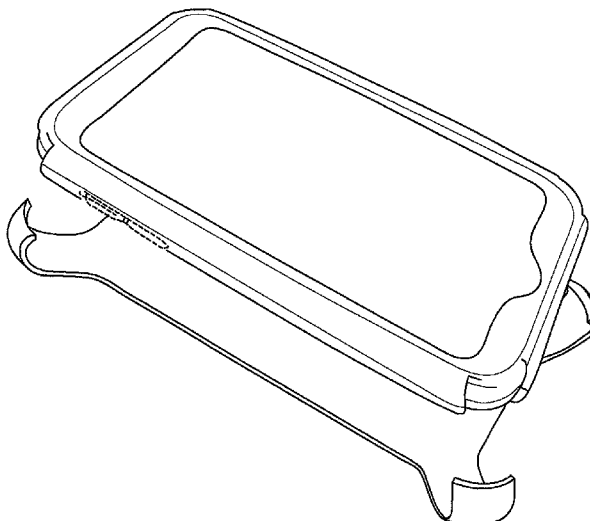
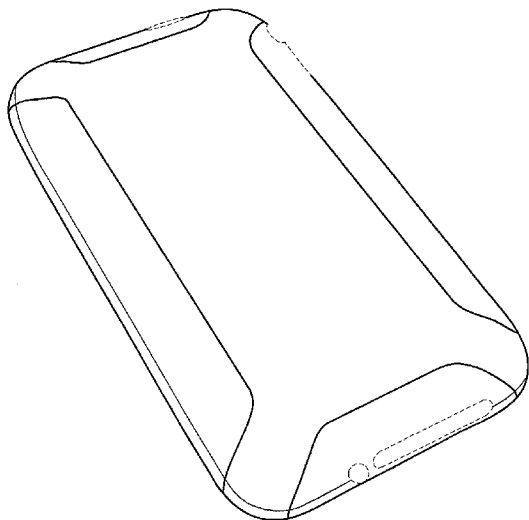
(57) **CLAIM**

I claim the ornamental design for a case, as shown and described.

DESCRIPTION

FIG. 1 is a top end view of a case showing our new design; FIG. 2 is a bottom end view of the case; FIG. 3 is a left side view of the case; FIG. 4 is a right side view of the case; FIG. 5 is a front view of the case; FIG. 6 is a back view of the case; FIG. 7 is a back perspective view of the case; and, FIG. 8 is a front perspective separated view of the case. The broken lines in the Figures showing the accessory holes are for illustrative purposes only and form no part of the claimed design.

1 Claim, 6 Drawing Sheets



U.S. PATENT DOCUMENTS

6,273,252	B1	8/2001	Mitchell
D462,514	S	9/2002	Rivera et al.
6,445,577	B1	9/2002	Madsen et al.
6,456,487	B1	9/2002	Hetterick
6,471,056	B1	10/2002	Tzeng
D466,287	S	12/2002	Tanaka
6,519,141	B2	2/2003	Tseng et al.
6,536,589	B2	3/2003	Chang
6,646,864	B2	11/2003	Richardson
D495,871	S	9/2004	Moffitt et al.
D499,546	S	12/2004	Smithers
6,995,976	B2	2/2006	Richardson
D516,554	S	3/2006	Richardson et al.
D521,232	S	5/2006	Andre et al.
D526,780	S	8/2006	Richardson et al.
D529,713	S	10/2006	Guyot et al.
D530,079	S	10/2006	Thomas et al.
7,158,376	B2	1/2007	Richardson et al.
7,180,735	B2	2/2007	Thomas et al.
D541,296	S	4/2007	Kim
D542,524	S	5/2007	Richardson et al.
D543,541	S	5/2007	Chung et al.
7,230,823	B2	6/2007	Richardson et al.
7,261,204	B2	8/2007	Zaidi et al.
D553,352	S	10/2007	Allen
D553,357	S	10/2007	Zimmerman
7,312,984	B2	12/2007	Richardson et al.
D561,724	S	2/2008	Kim et al.
D565,290	S	4/2008	Brandenburg et al.
D570,593	S	6/2008	Justiss
D575,056	S	8/2008	Tan
D581,151	S	11/2008	Aipa
D581,155	S	11/2008	Richardson et al.
D581,421	S	11/2008	Richardson et al.
D587,008	S	2/2009	Richardson et al.
D589,016	S	3/2009	Richardson et al.
D593,319	S	6/2009	Richardson et al.
D593,746	S	6/2009	Richardson et al.
D597,089	S	7/2009	Khan et al.
D597,301	S	8/2009	Richardson et al.
D598,407	S	8/2009	Richardson et al.
D600,908	S	9/2009	Richardson et al.
7,609,512	B2	10/2009	Richardson et al.
D603,602	S	11/2009	Richardson et al.
D603,603	S	11/2009	Laine et al.
D605,850	S	12/2009	Richardson et al.
D606,529	S	12/2009	Ferrari et al.
D607,446	S	1/2010	Ferrari et al.
D609,463	S	2/2010	Bullen
D609,464	S	2/2010	Bullen
7,663,879	B2	2/2010	Richardson et al.
D610,807	S	3/2010	Bau
D611,042	S	3/2010	Ferrari et al.
D611,478	S	3/2010	Richardson et al.
7,688,580	B2	3/2010	Richardson et al.
D615,536	S	5/2010	Richardson et al.
D616,361	S	5/2010	Huang
2003/0151890	A1	8/2003	Huang et al.
2004/0057199	A1	3/2004	Azuchi
2005/0247584	A1	11/2005	Lu
2006/0231713	A1	10/2006	Crain et al.
2007/0165367	A1	7/2007	Chung
2008/0316687	A1	12/2008	Richardson et al.
2009/0009945	A1	1/2009	Johnson et al.
2009/0034169	A1	2/2009	Richardson et al.
2009/0080153	A1	3/2009	Richardson et al.
2009/0111543	A1	4/2009	Tai et al.
2009/0154095	A1	6/2009	Woud
2010/0008028	A1	1/2010	Richardson et al.
2010/0096284	A1	4/2010	Bau

OTHER PUBLICATIONS

Incipio Holster for Motorola RAZR, URL:http://www.myincipio.com/product/RAZR_HOLSTER_ID-279/Incipio-Ultra-Light-weight-Motorola-V3,v3m-v3i-v3c-RAZR-Magnesium-Play-Thru-Holster-Belt-Carrying-Case--Pink.html, Mar. 24, 2010.

Black dotted™ Silicone Case for Apple iPhone 3G 3GS, <URL:http://www.myincipio.com/product/iPhone_3G-IPH-450, retrieved from internet May 9, 2010.

The OtterBox Commuter Series 3GS for iPhone, <URL:<http://www.otterbox.com/iphone-cases/iphone-3g-3gs-cases>, retrieved from internet May 9, 2010.

Seidio FlexArmor, <URL:<http://www.seidioonline.com/PhotoGallery.asp?>, retrieved from internet May 9, 2010.

Silicylic Polycarbonate Case with Silicone Core for iPhone 3G 3GS—Olive Green, <URL:http://www.myincipio.com/product/IPHONE_3G_IPH-617, retrieved from internet May 9, 2010.

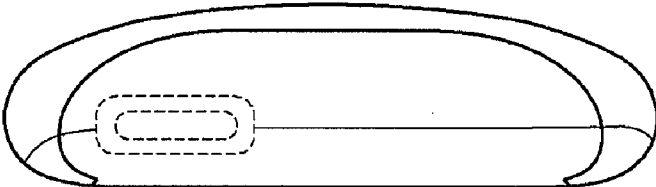


FIG. 1

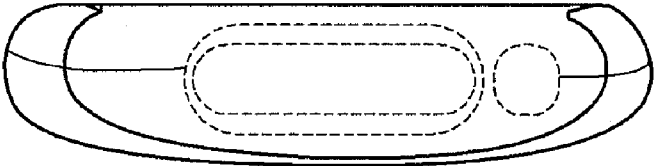


FIG. 2

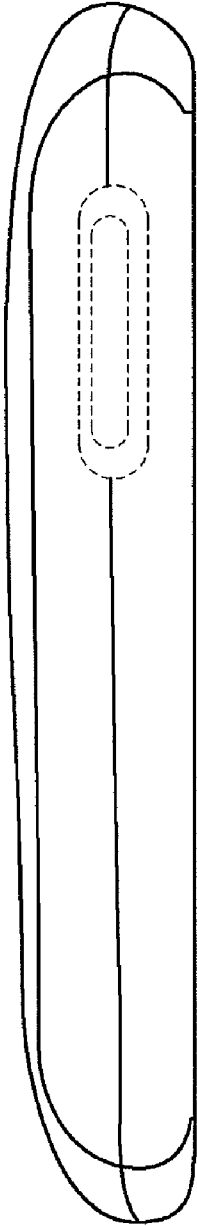


FIG. 3

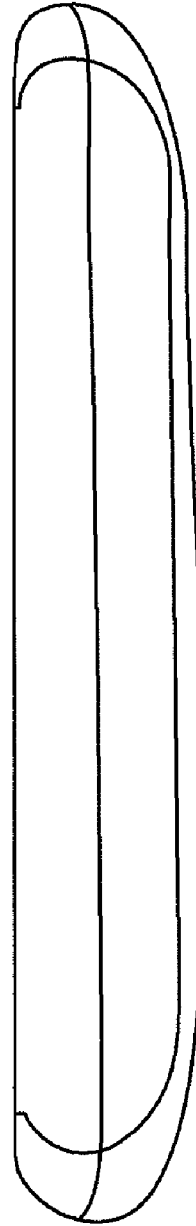


FIG. 4

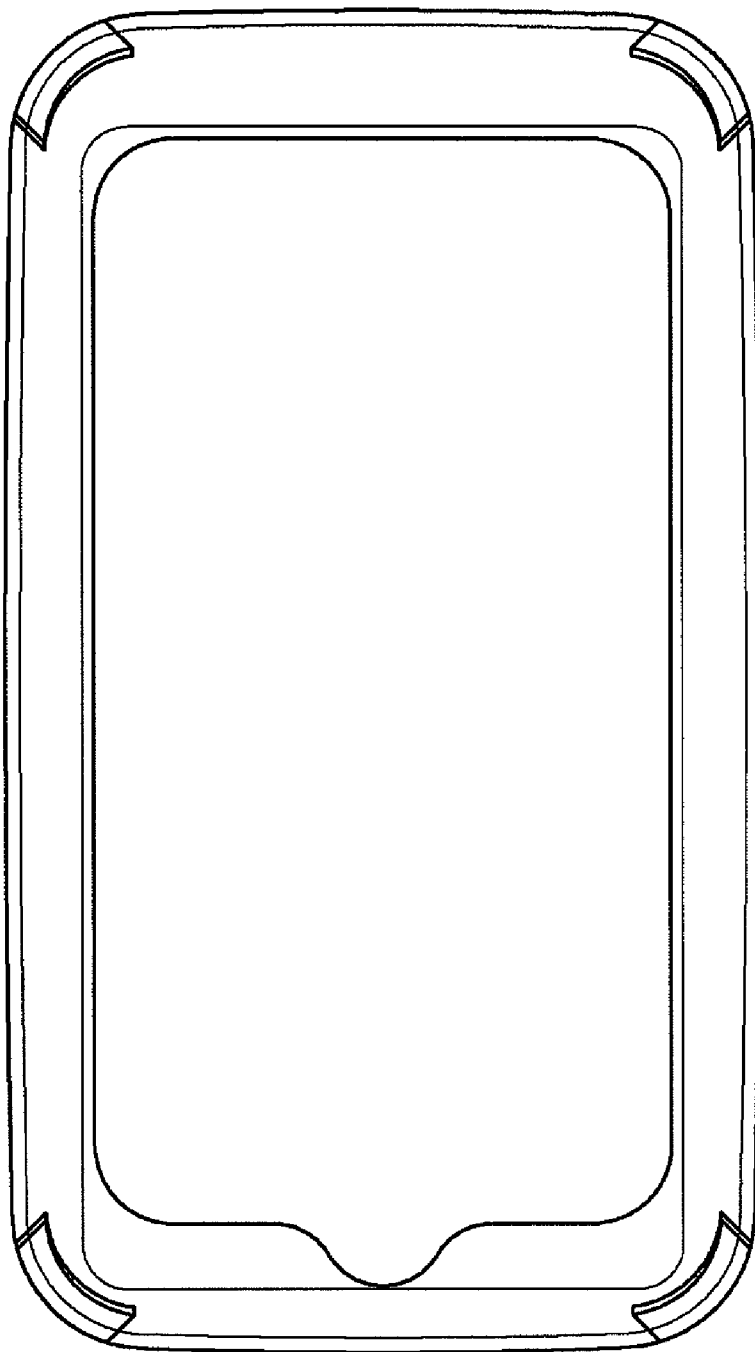


FIG. 5

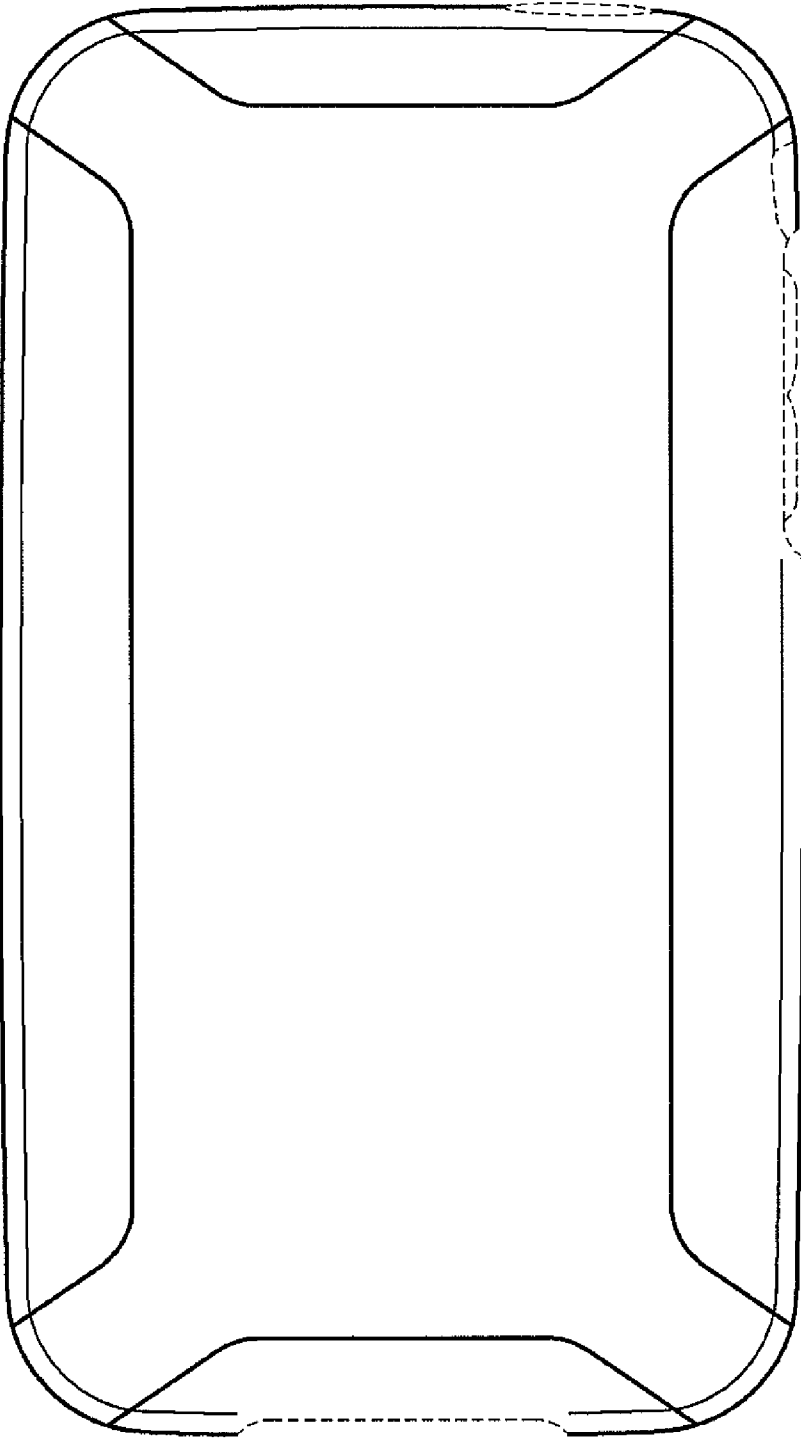


FIG. 6

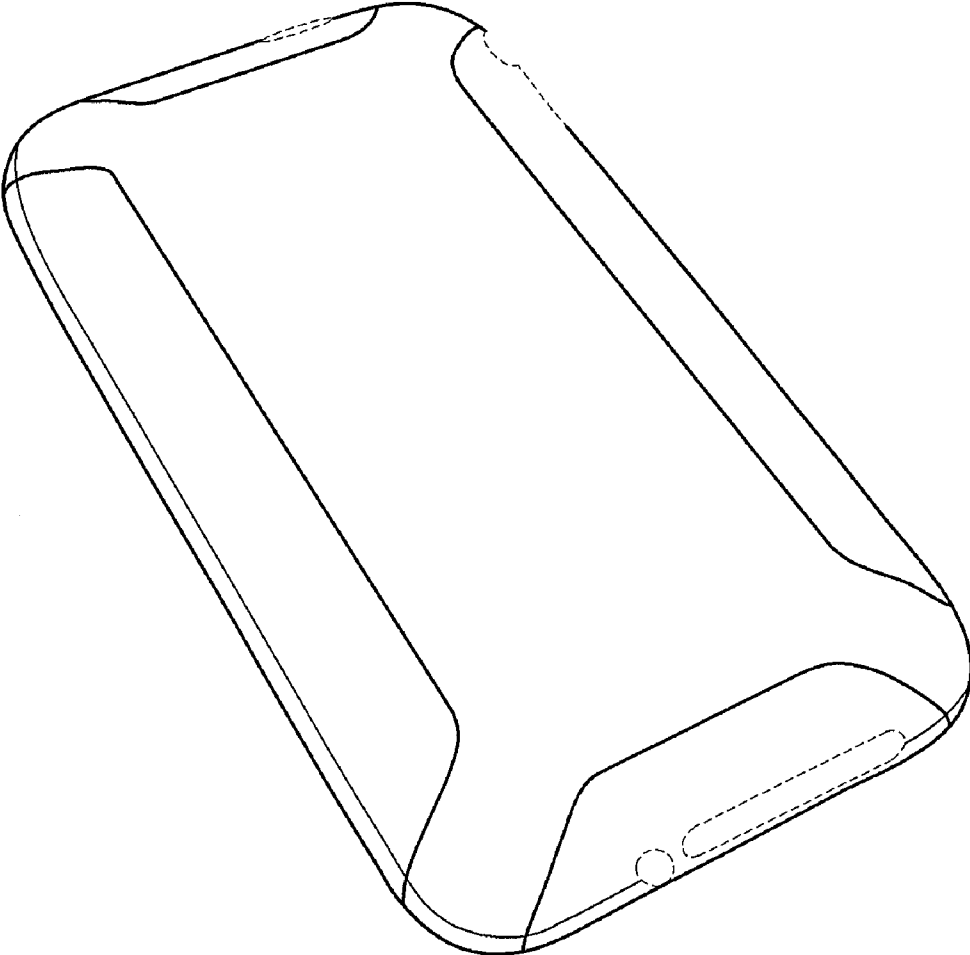


FIG. 7

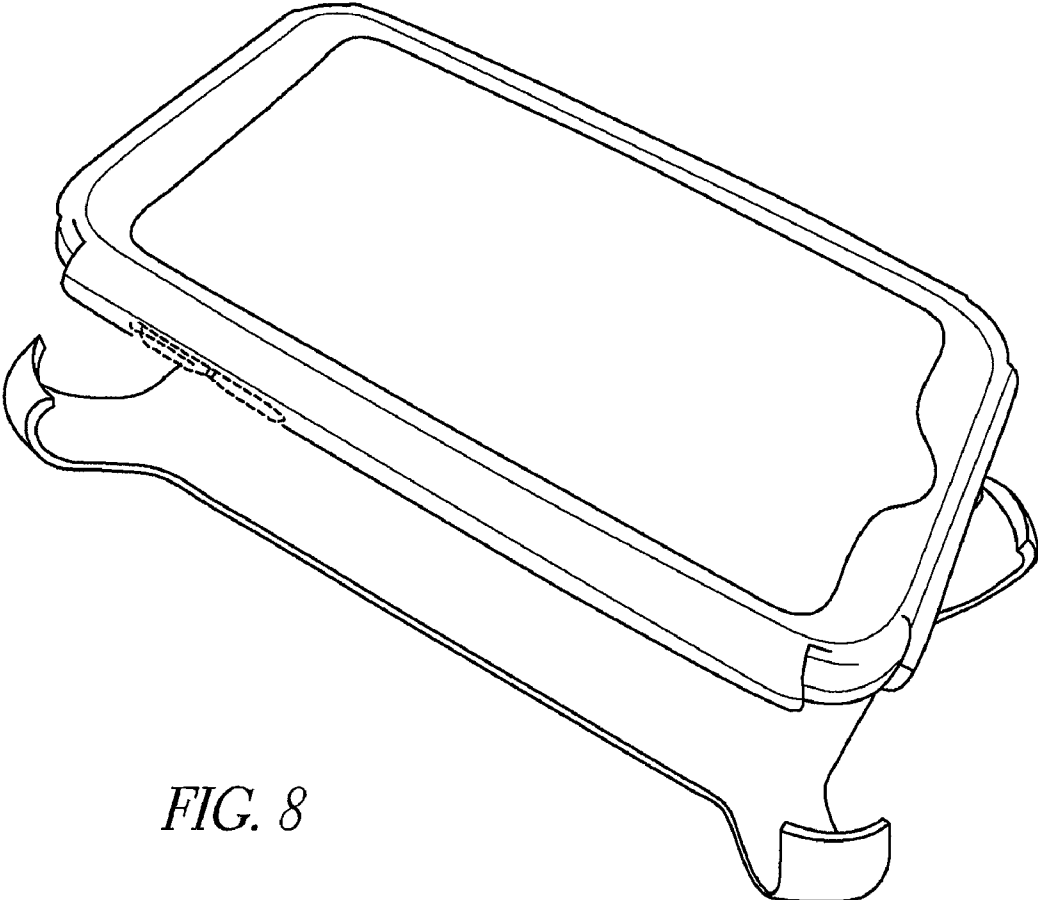


FIG. 8