



US00D914628S

(12) **United States Design Patent**
Wang

(10) **Patent No.:** **US D914,628 S**
(45) **Date of Patent:** **** Mar. 30, 2021**

(54) **WALKIE-TALKIE**
(71) Applicant: **SHENZHEN HUIKE ELECTRONICS CO., LTD.**, Shenzhen (CN)

D816,632 S * 5/2018 Yamamoto D14/137
D816,639 S * 5/2018 Abe D14/226
D842,830 S * 3/2019 Nishida D14/137
D889,424 S * 7/2020 Chen D14/137
D892,757 S * 8/2020 Pang D14/137

(72) Inventor: **Gongrang Wang**, Biyang County (CN)

FOREIGN PATENT DOCUMENTS

(73) Assignee: **SHENZHEN HUIKE ELECTRONICS CO., LTD.**, Shenzhen (CN)

EM 006530135-0003 * 6/2019

(**) Term: **15 Years**

OTHER PUBLICATIONS

(21) Appl. No.: **29/700,771**

Motorola T100TP Talkabout Radio, Date First Available Apr. 1, 2016, [online], [retrieved on Nov. 19, 2020]. Retrieved from Internet, <URL: https://www.amazon.com/Motorola-T100TP-Talkabout-Radio-Pack/dp/B01DM7AEF8/ref=sr_1_3?dchild=1&keywords=walkie-talkies&qid=1605812278&sr=8-3>.*

(22) Filed: **Aug. 6, 2019**

* cited by examiner

(30) **Foreign Application Priority Data**

Apr. 12, 2019 (CN) 201930167271.X

(51) **LOC (13) Cl.** **14-03**

(52) **U.S. Cl.** **D14/137**

USPC **D14/137**

(58) **Field of Classification Search**

USPC D14/137, 138 R, 138 AA, 138 AD

CPC .. H04B 1/3833; H04B 1/3827; H04B 1/3855;

H04B 2001/3861; H04M 1/0202; H04M

1/03; H04M 1/035

See application file for complete search history.

(56) **References Cited**

U.S. PATENT DOCUMENTS

5,918,189 A * 6/1999 Kivela H01Q 1/243
343/700 MS
D526,296 S * 8/2006 Wen D14/138 AA
D602,893 S * 10/2009 Nishida D14/137
D677,230 S * 3/2013 Ooi D14/137
D685,753 S * 7/2013 Kang D14/137
D761,224 S * 7/2016 Khairudin D14/137

Primary Examiner — Bridget L Eland

(74) *Attorney, Agent, or Firm* — Li & Cai Intellectual Property (USA) Office

(57) **CLAIM**

The ornamental design for a walkie-talkie, as shown and described.

DESCRIPTION

FIG. 1 is a front and top perspective view of a walkie-talkie showing my new design;

FIG. 2 is a front elevational view thereof;

FIG. 3 is a rear elevational view thereof;

FIG. 4 is a left side elevational view thereof;

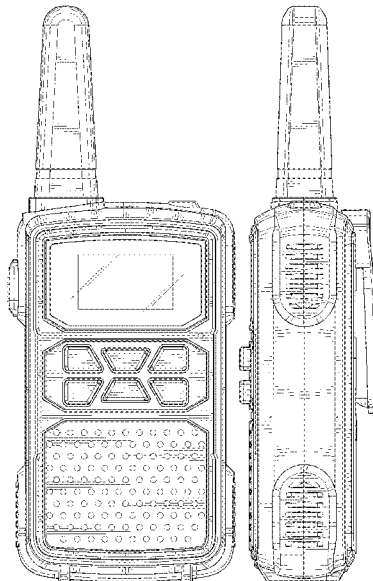
FIG. 5 is a right side elevational view thereof;

FIG. 6 is a top plan view thereof; and,

FIG. 7 is a bottom plan view thereof.

The broken lines depict portions of the walkie-talkie in which the design is embodied that form no part of the claimed design.

1 Claim, 6 Drawing Sheets



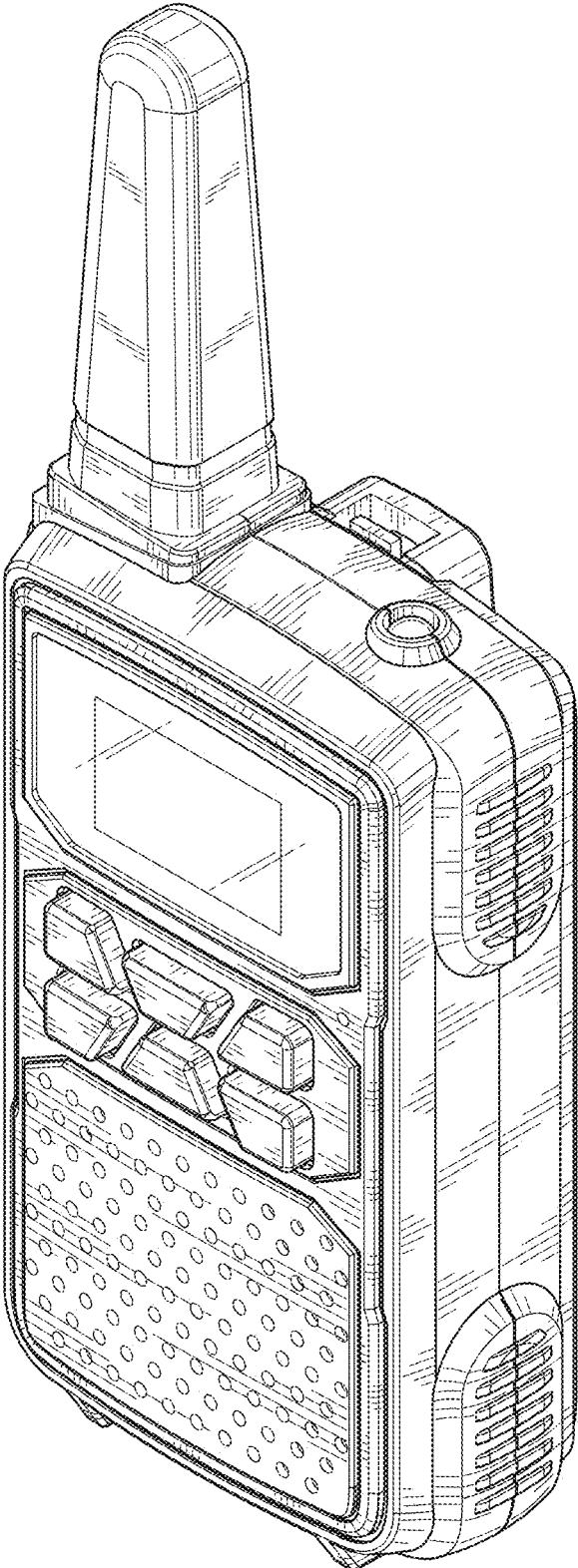


FIG. 1

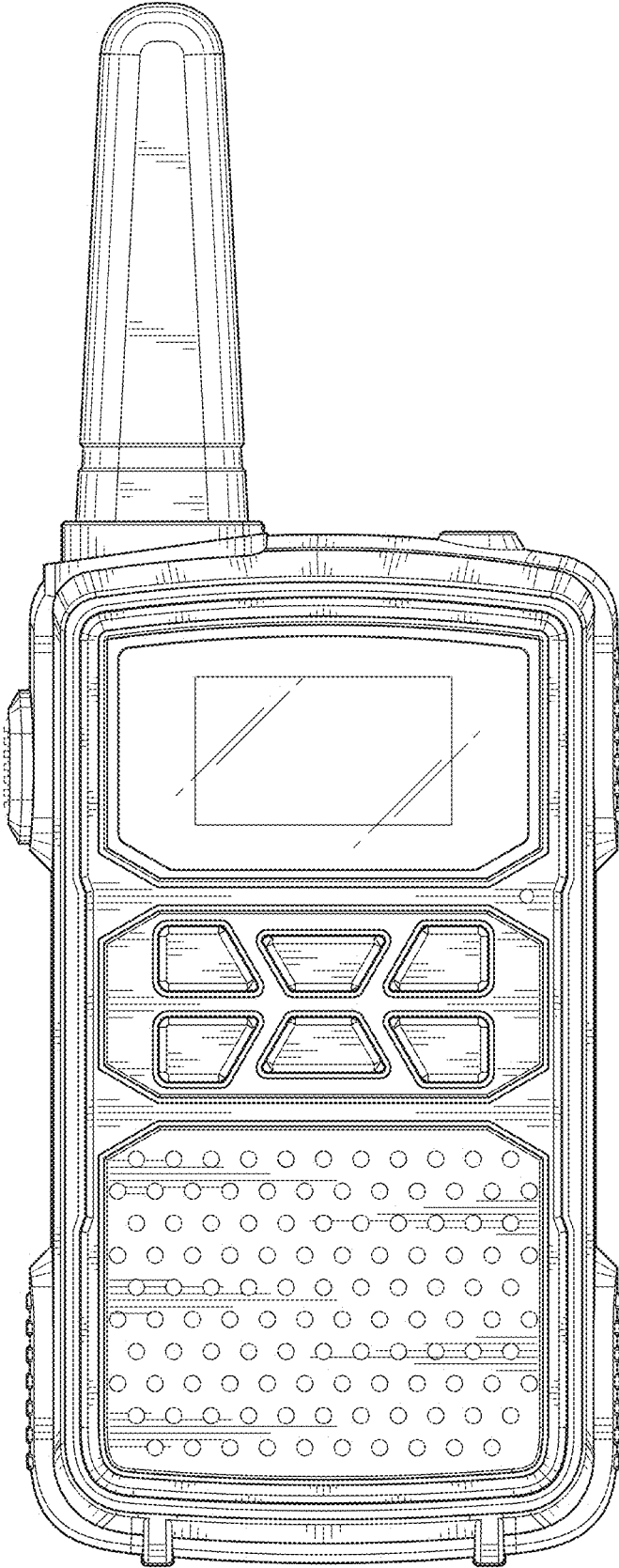


FIG. 2

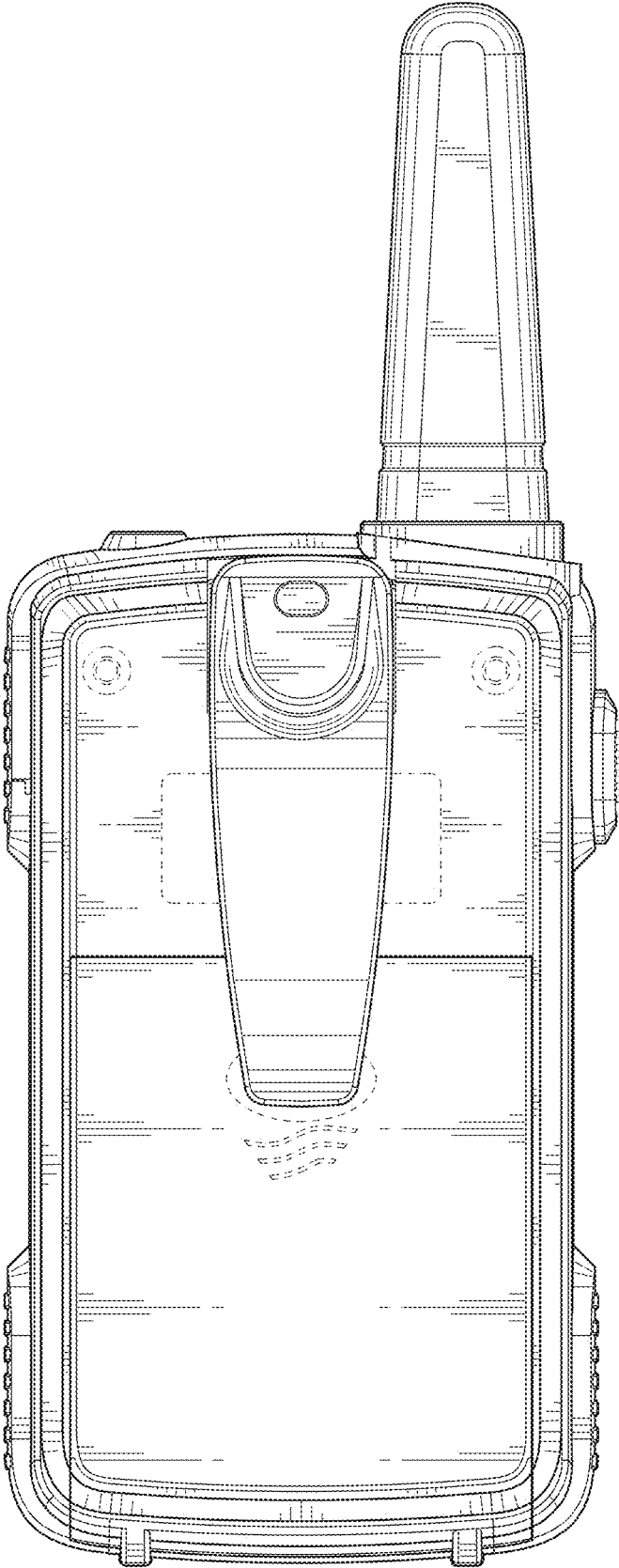


FIG. 3

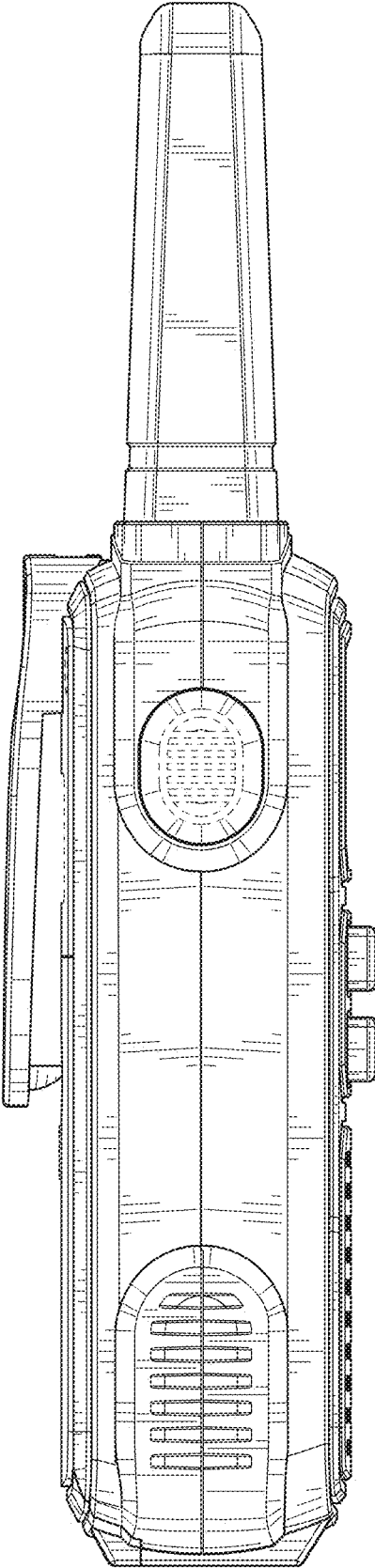


FIG. 4

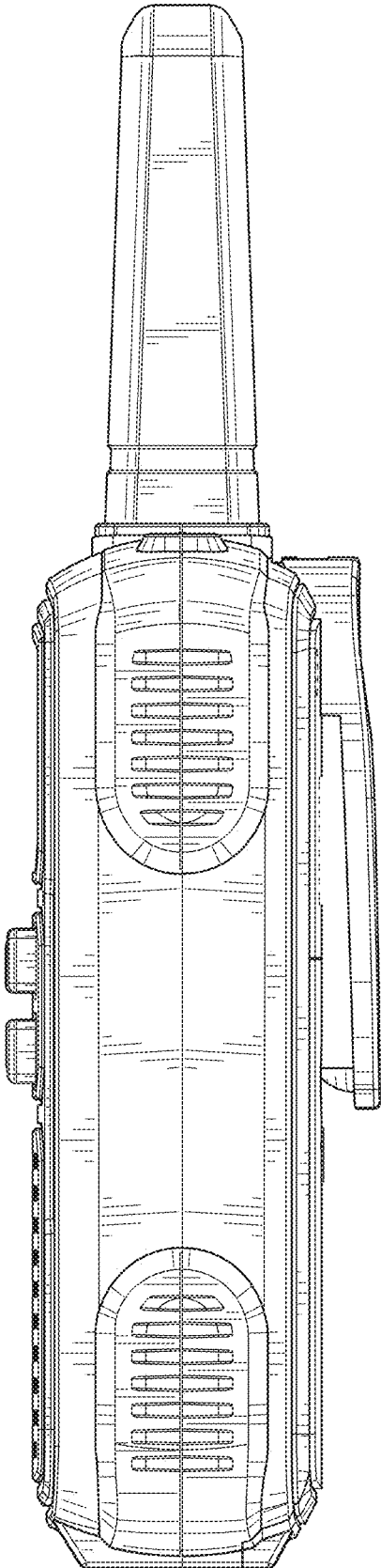


FIG. 5

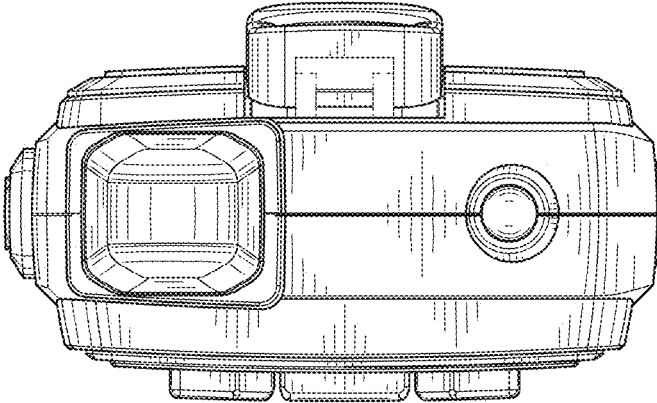


FIG. 6

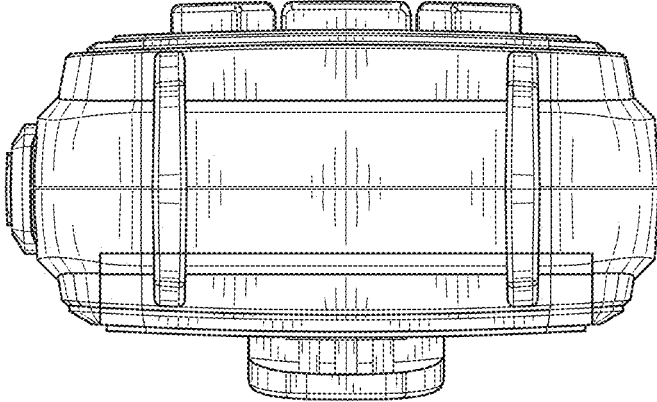


FIG. 7