



US00D783073S

(12) **United States Design Patent**
Radau

(10) **Patent No.:** **US D783,073 S**

(45) **Date of Patent:** **** Apr. 4, 2017**

(54) **BINOCULAR**

(71) Applicant: **Carl Zeiss Sports Optics GmbH,**
Wetzlar (DE)

(72) Inventor: **Nils Radau,** Salzburg (AT)

(73) Assignee: **Carl Zeiss Sports Optics GmbH,**
Wetzlar (DE)

(**) Term: **14 Years**

(21) Appl. No.: **29/508,956**

(22) Filed: **Nov. 12, 2014**

(30) **Foreign Application Priority Data**

Oct. 6, 2014 (EM) 002551143

(51) **LOC (10) Cl.** **16-06**

(52) **U.S. Cl.**
USPC **D16/133**

(58) **Field of Classification Search**

USPC D16/130–136; 359/407–420, 480, 481,
359/552, 555, 579, 804, 809, 813–817,
359/819–822, 831, 835

See application file for complete search history.

(56) **References Cited**

U.S. PATENT DOCUMENTS

D394,665 S *	5/1998	Akabane	D16/133
D394,666 S *	5/1998	Ono	D16/133
D421,998 S *	3/2000	Akabane	D16/133
D474,789 S *	5/2003	Matsushita	D16/133
D479,256 S *	9/2003	Matsushita	D16/133
D486,507 S *	2/2004	Fujii	D16/133
D492,335 S *	6/2004	Watanabe	D16/133

D523,047 S *	6/2006	Swift	D16/133
D551,272 S *	9/2007	Fujii	D16/133
D567,275 S *	4/2008	Hayamizu	D16/133
D590,855 S *	4/2009	Watanabe	D16/133
D590,856 S *	4/2009	Hayamizu	D16/133
D590,857 S *	4/2009	Fujii	D16/133
D602,059 S *	10/2009	Inaba	D16/133
D627,378 S *	11/2010	Watanabe	D16/133
D628,610 S *	12/2010	Suzuki	D16/133
D646,311 S *	10/2011	Hoelbl	D16/133
D660,895 S *	5/2012	Fischbach	D16/133
D662,119 S *	6/2012	Hoshi	D16/133
D671,974 S *	12/2012	Wunnicke	D16/133

(Continued)

Primary Examiner — Susan Bennett Hattan

Assistant Examiner — Jennifer Wright

(74) *Attorney, Agent, or Firm* — Walter Ottesen, P.A.

(57) **CLAIM**

The ornamental design for a binocular, as shown and described.

DESCRIPTION

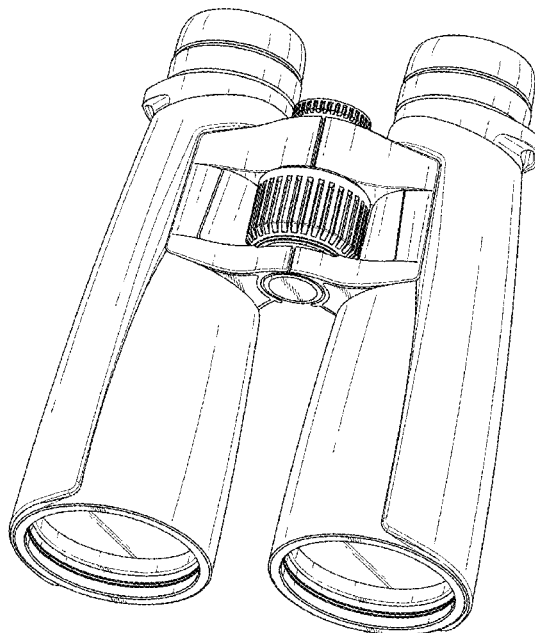
FIG. 1 is a perspective view of the binocular of our new design;

FIG. 2 is a rear elevation view of the binocular of FIG. 1; FIG. 3 is a left side elevation view of the binocular of FIG. 1;

FIG. 4 is a top plan view of the binocular of FIG. 1; FIG. 5 is a right side elevation view of the binocular of FIG. 1;

FIG. 6 is a bottom plan view of the binocular of FIG. 1; and, FIG. 7 is a front elevation view of the binocular of FIG. 1. The broken lines are included for the purpose of illustrating portions of the binocular that form no part of the claimed design.

1 Claim, 7 Drawing Sheets



(56)

References Cited

U.S. PATENT DOCUMENTS

D681,709	S	*	5/2013	Radau	D16/133
D684,202	S	*	6/2013	Radau	D16/133
D687,081	S	*	7/2013	Radau	D16/133
D693,867	S	*	11/2013	Radau	D16/133
D700,644	S	*	3/2014	Asano	D16/133
D703,254	S	*	4/2014	Sakata	D16/133
D713,437	S	*	9/2014	Soejima	D16/133
D716,859	S	*	11/2014	Nakajima	D16/133
D719,201	S	*	12/2014	Marsiglia	D16/133
D748,177	S	*	1/2016	Radau	D16/133

* cited by examiner

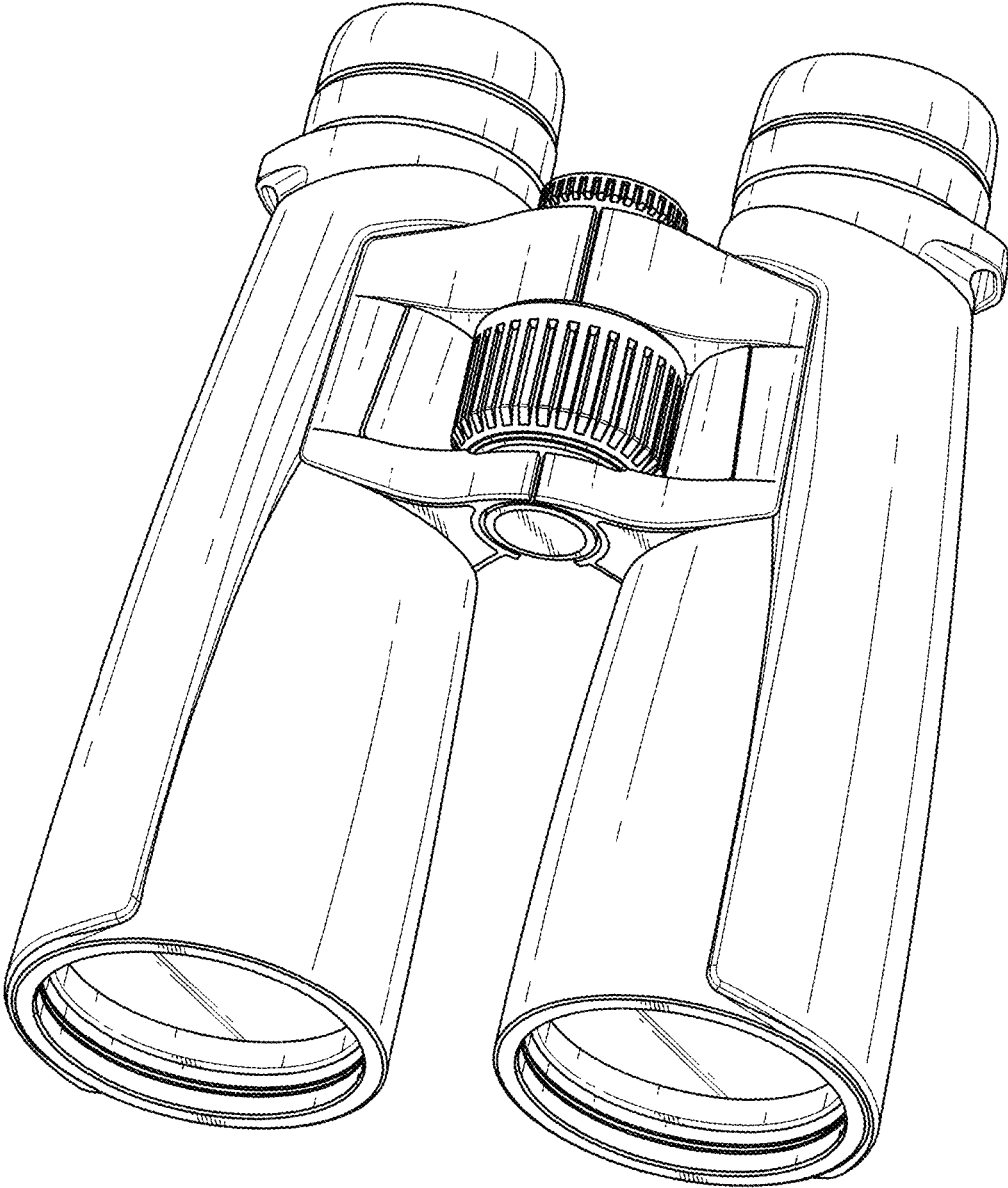


FIG. 1

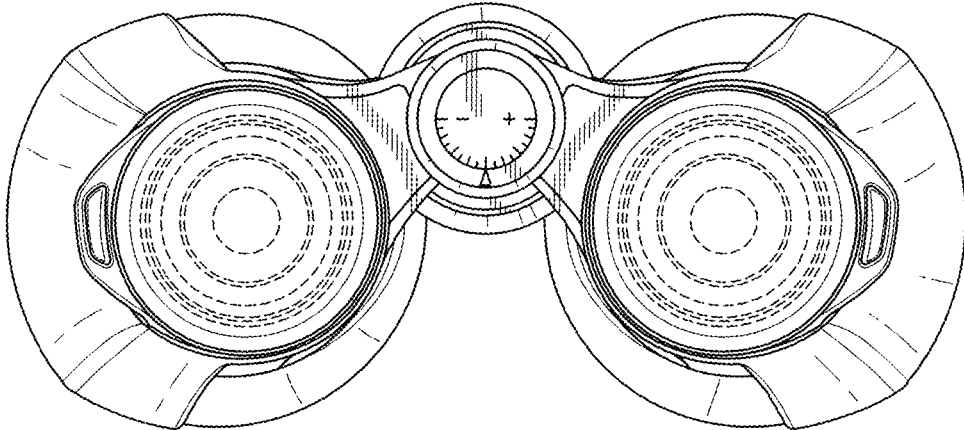


FIG. 2

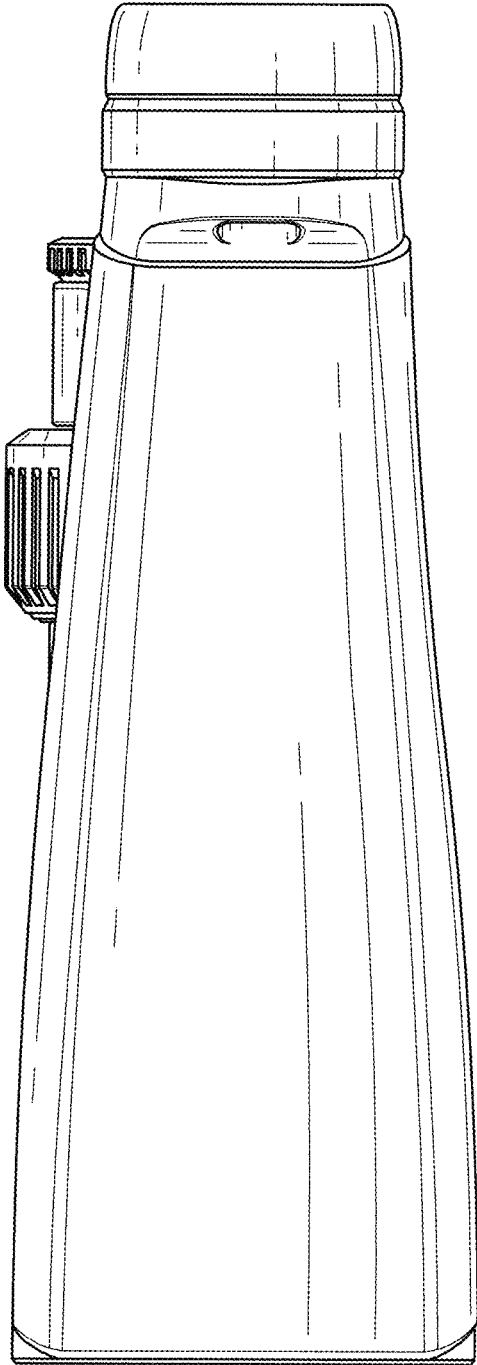


FIG. 3

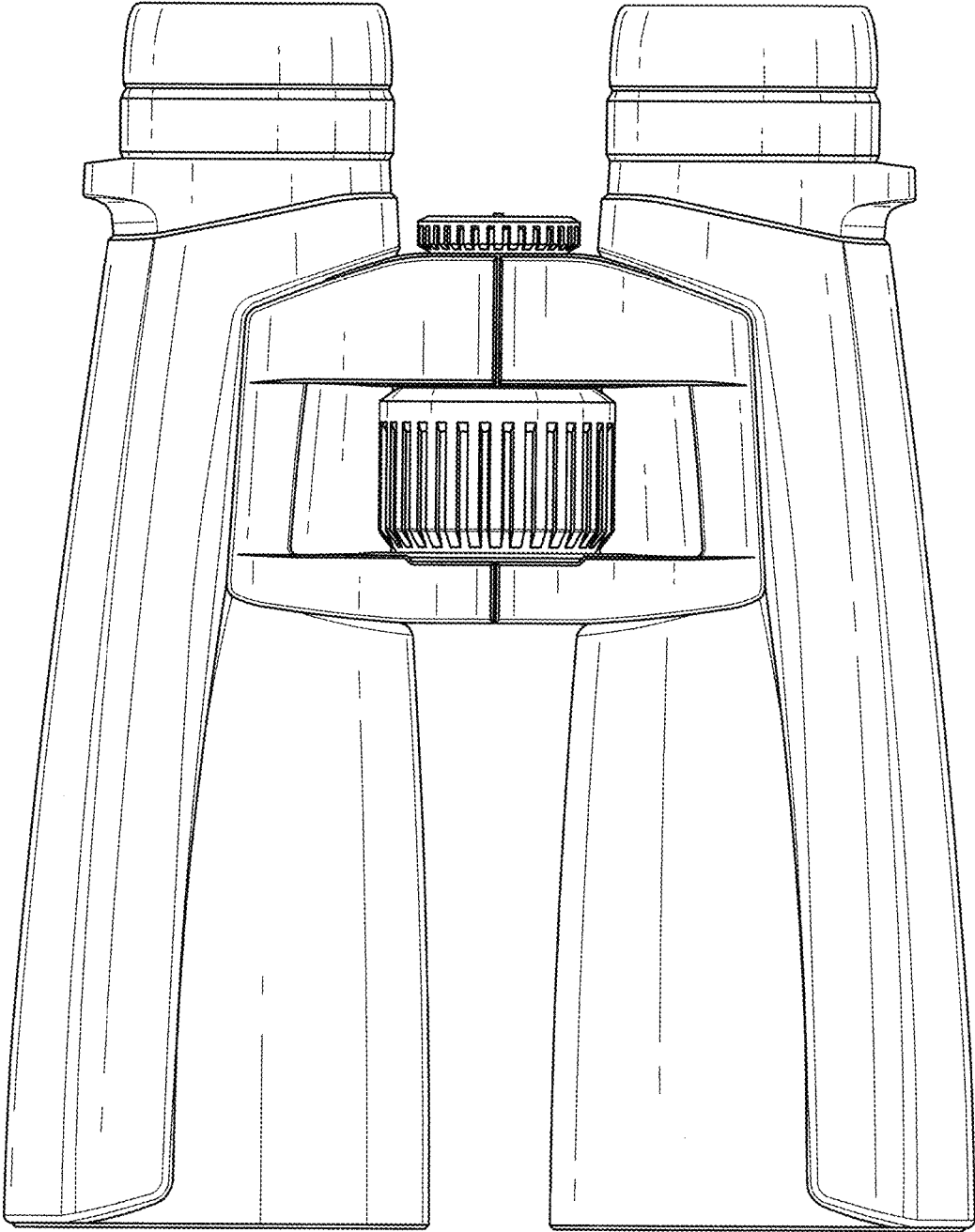


FIG. 4

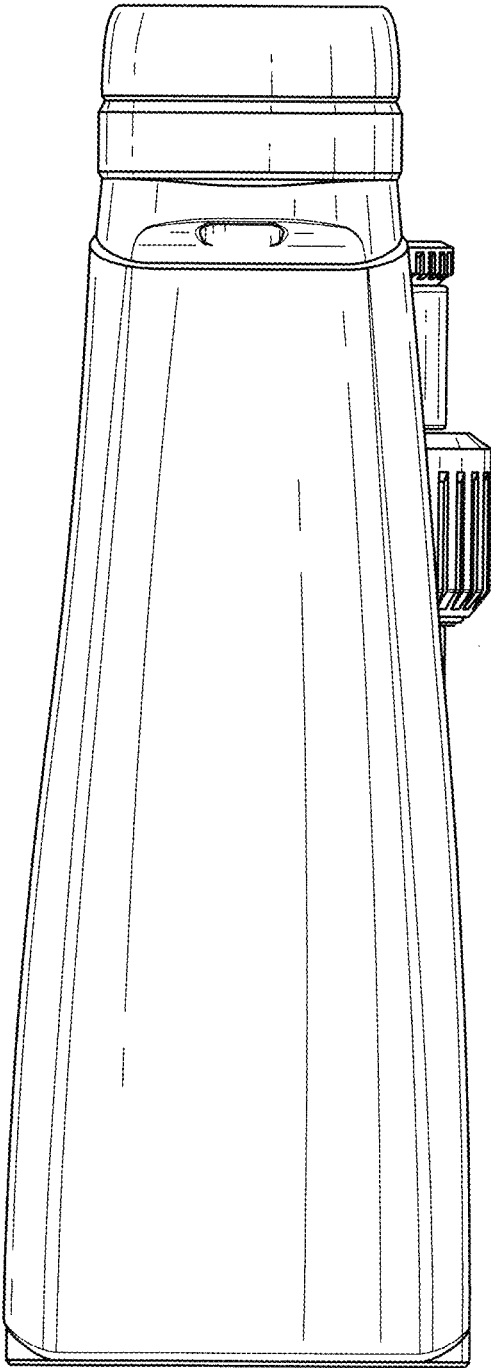


FIG. 5

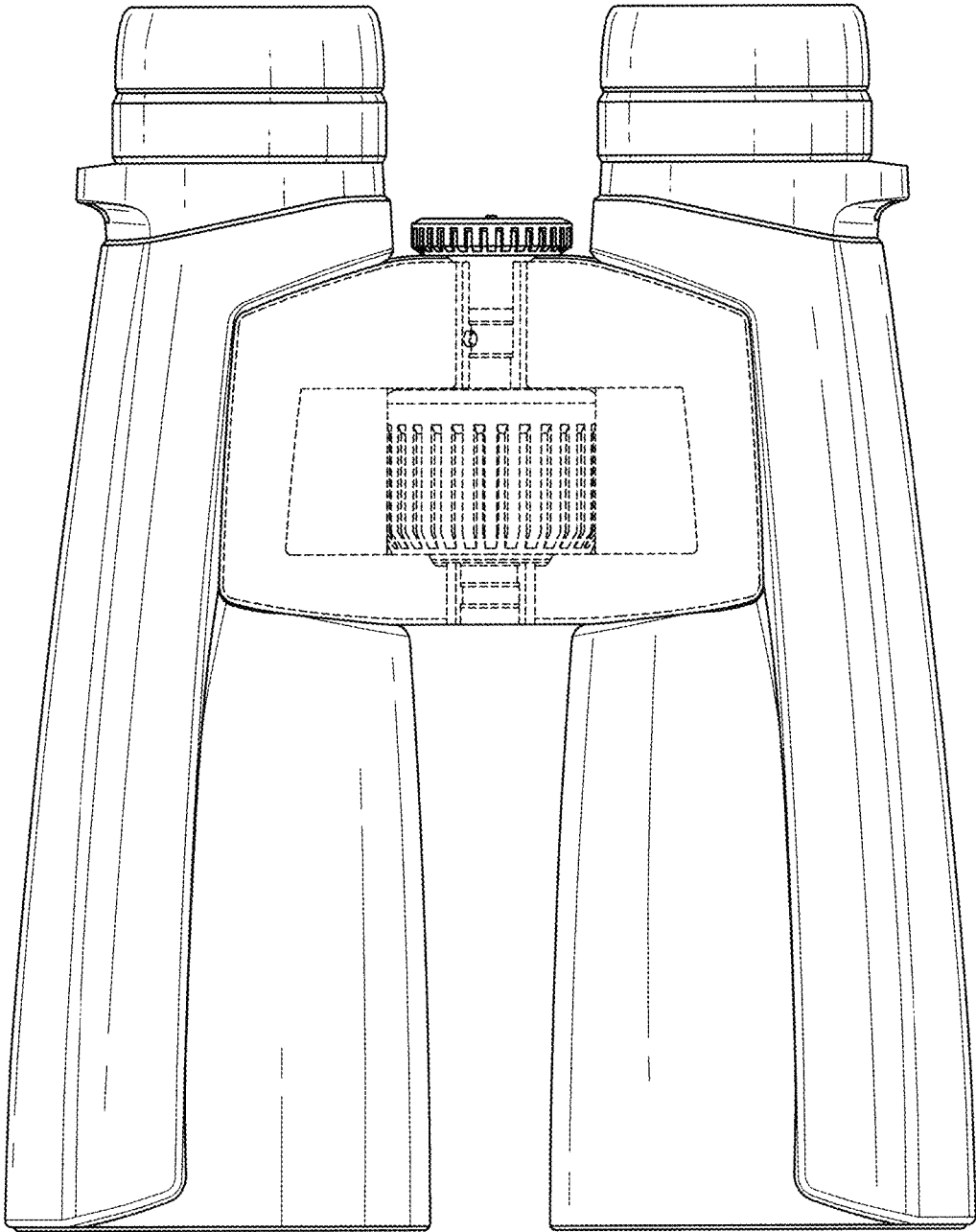


FIG. 6

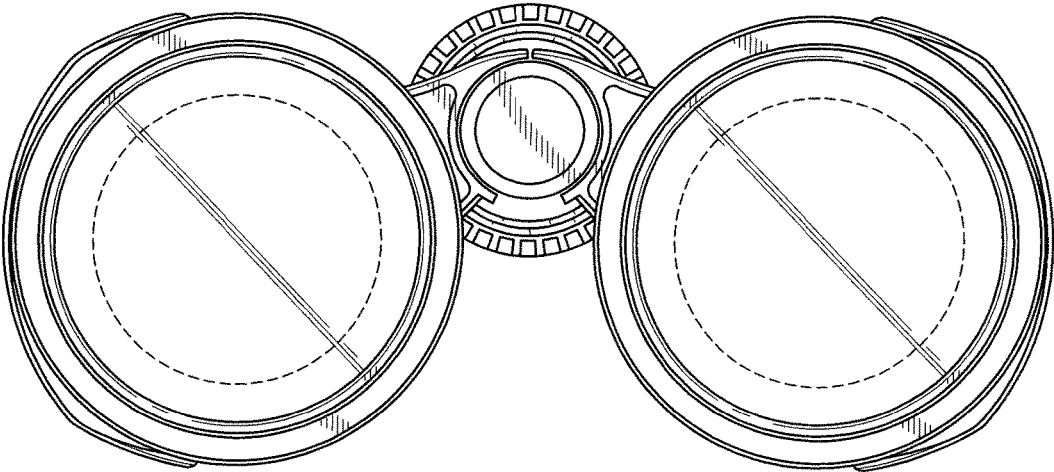


FIG. 7