



US00D746269S

(12) **United States Design Patent**
Chen

(10) **Patent No.:** **US D746,269 S**

(45) **Date of Patent:** **** Dec. 29, 2015**

(54) **COMPUTER MICROPHONE**

(71) Applicant: **Ching-Wen Chen**, Taipei (TW)

(72) Inventor: **Ching-Wen Chen**, Taipei (TW)

(**) Term: **14 Years**

(21) Appl. No.: **29/512,626**

(22) Filed: **Dec. 21, 2014**

(51) **LOC (10) Cl.** **14-01**

(52) **U.S. Cl.**
USPC **D14/227**

(58) **Field of Classification Search**

USPC D14/227, 225, 229, 149, 158, 159, 214,
D14/432, 433, 435, 192, 169, 187, 188;
379/428.01, 428.04, 431, 433.03;
381/361, 362, 363, 365, 366, 355, 375;
455/569.1

CPC H04R 25/00
See application file for complete search history.

(56) **References Cited**

U.S. PATENT DOCUMENTS

2,558,278	A *	6/1951	Stone et al.	181/194
D178,541	S *	8/1956	Schell	D14/227
3,153,123	A *	10/1964	Harman	381/363
D247,707	S *	4/1978	Armstrong	D14/228
D283,891	S *	5/1986	Parshad et al.	D14/228
D286,478	S *	11/1986	Oakes, Jr.	D6/701
D327,479	S *	6/1992	Britz	D14/225
D327,480	S *	6/1992	Soren	D14/229
D346,598	S *	5/1994	McCay et al.	D14/137
D365,564	S *	12/1995	Luther et al.	D14/227
D375,749	S *	11/1996	Chiang	D14/227
D379,185	S *	5/1997	Luther et al.	D14/227
D393,643	S *	4/1998	Chiang	D14/227
5,799,096	A *	8/1998	Liao	381/361
5,805,709	A *	9/1998	Liou	381/361
D416,868	S *	11/1999	Tsai	D13/153
D442,570	S *	5/2001	Arjomand et al.	D14/203.6

6,836,676	B2 *	12/2004	Lloyd et al.	455/569.1
7,103,392	B2 *	9/2006	Fletcher et al.	455/569.1
D533,166	S *	12/2006	Marquez	D14/225
D534,151	S *	12/2006	Marquez	D14/158
D552,076	S *	10/2007	Griffin	D14/192
7,330,559	B2 *	2/2008	Akino	381/363
D574,834	S *	8/2008	Chen	D14/432
D584,295	S *	1/2009	Kellar	D14/228
D620,482	S *	7/2010	Chen	D14/225
D651,192	S *	12/2011	Timmer	D14/159
D656,130	S *	3/2012	Bailey	D14/227
8,180,087	B2 *	5/2012	Wu	381/355
D692,390	S *	10/2013	Smith et al.	D13/153
D718,748	S *	12/2014	Pan	D14/227
D729,779	S *	5/2015	Caverro et al.	D14/227
D733,142	S *	6/2015	Solomon et al.	D14/433
2003/0134666	A1 *	7/2003	Fletcher et al.	455/568

* cited by examiner

Primary Examiner — Paula Greene

(74) *Attorney, Agent, or Firm* — Pro-TECHTOR International Services; Ian B. Oglesby

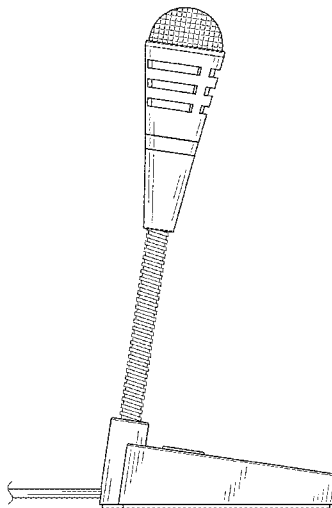
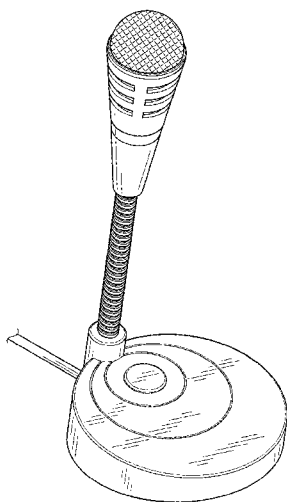
(57) **CLAIM**

The ornamental design for a computer microphone, as shown and described.

DESCRIPTION

FIG. 1 is a plan view of computer microphone showing my new design;
FIG. 2 is a front view thereof;
FIG. 3 is a rear view thereof; and
FIG. 4 is a left side elevational view thereof;
FIG. 5 is a right side elevational view thereof;
FIG. 6 is a top elevational view thereof; and
FIG. 7 is a bottom elevational view thereof.
FIG. 8 is an operated view of computer microphone showing my new design; and,
FIG. 9 is another operated view of computer microphone showing my new design.
The broken lines form no part of the claimed design.

1 Claim, 8 Drawing Sheets



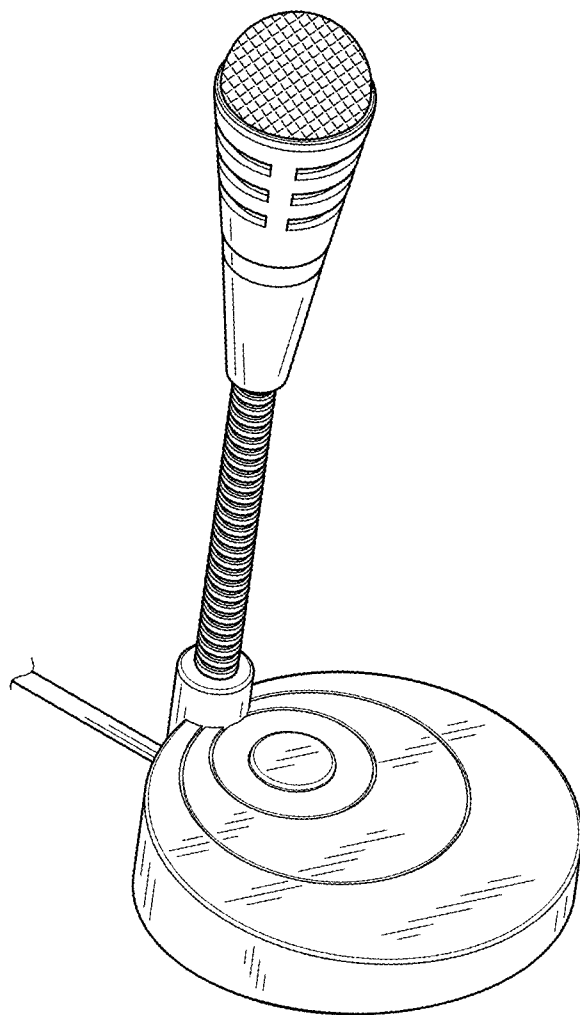


Fig.1

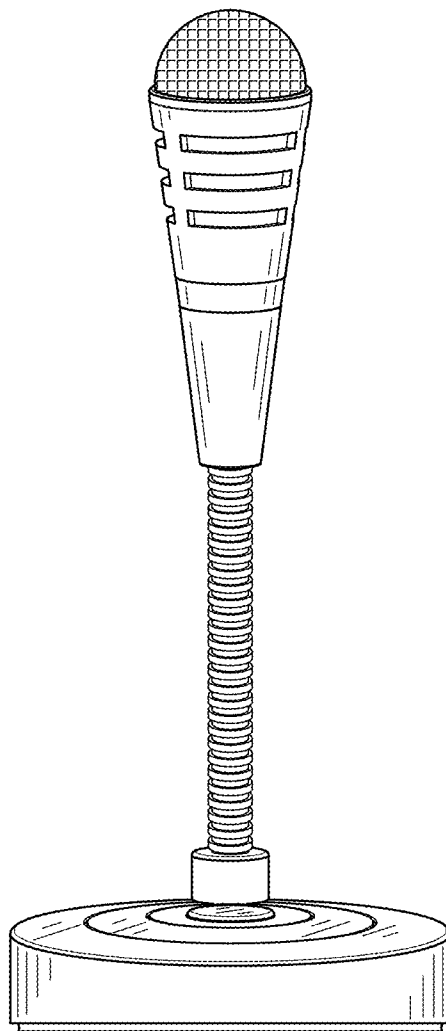


Fig.2

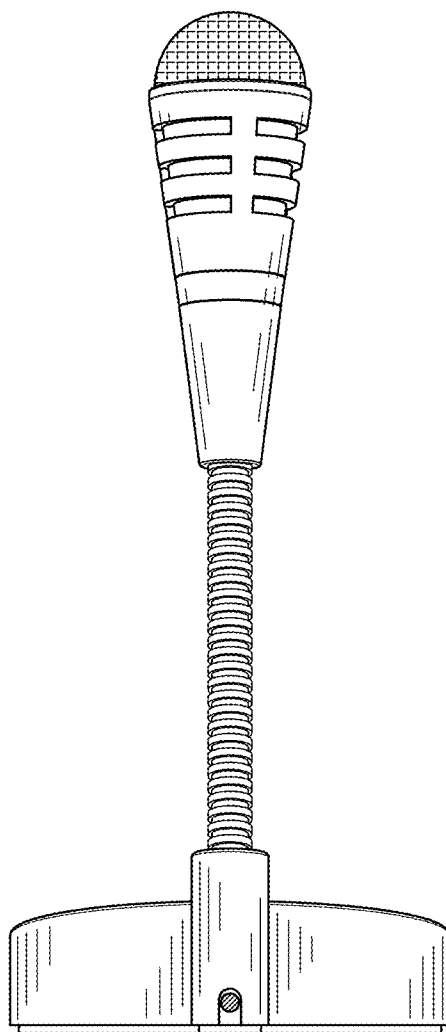


Fig.3

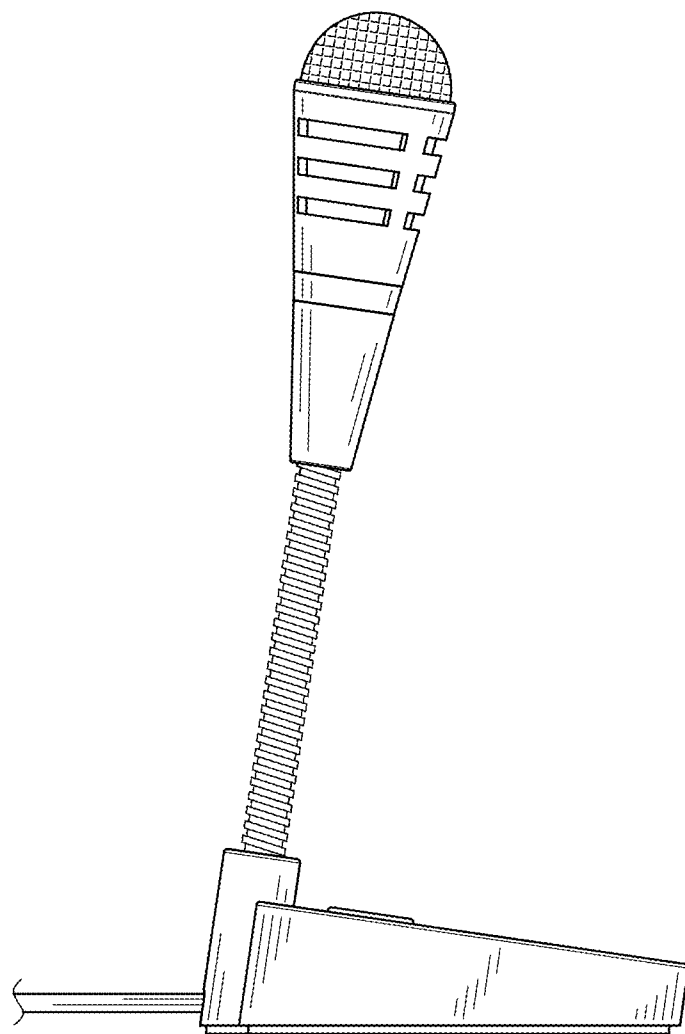


Fig.4

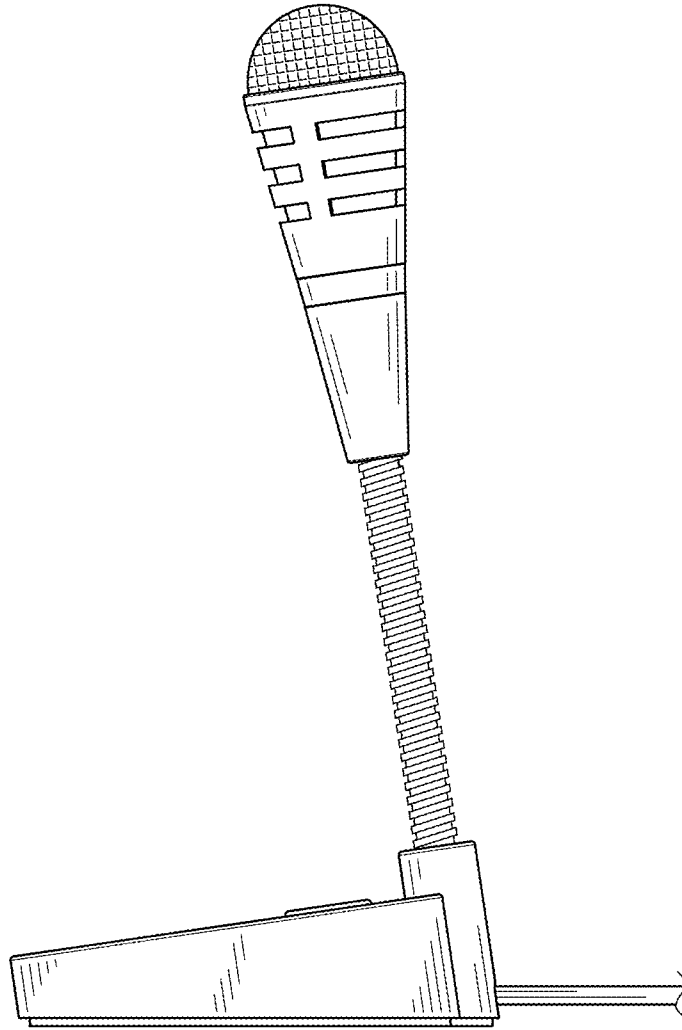


Fig.5

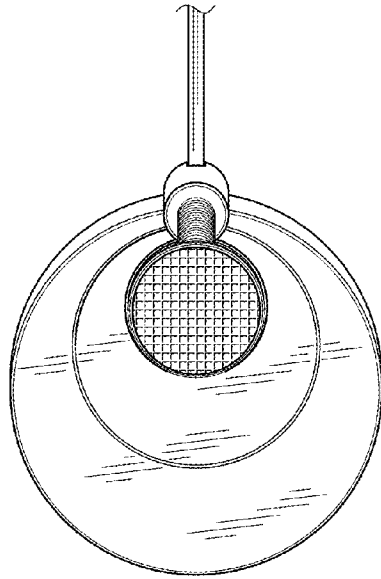


Fig.6

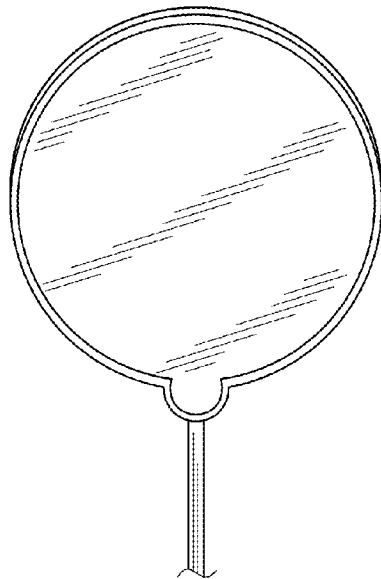


Fig.7

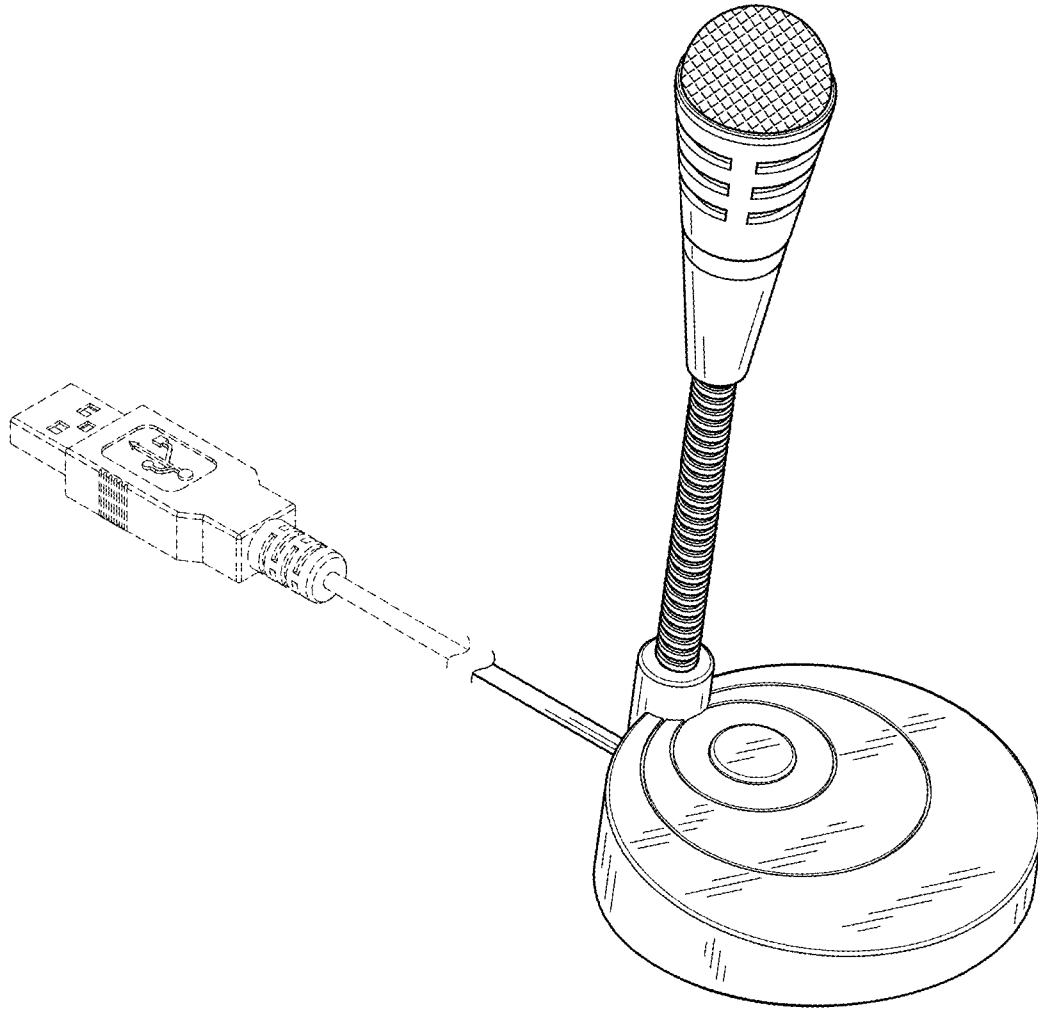


Fig.8

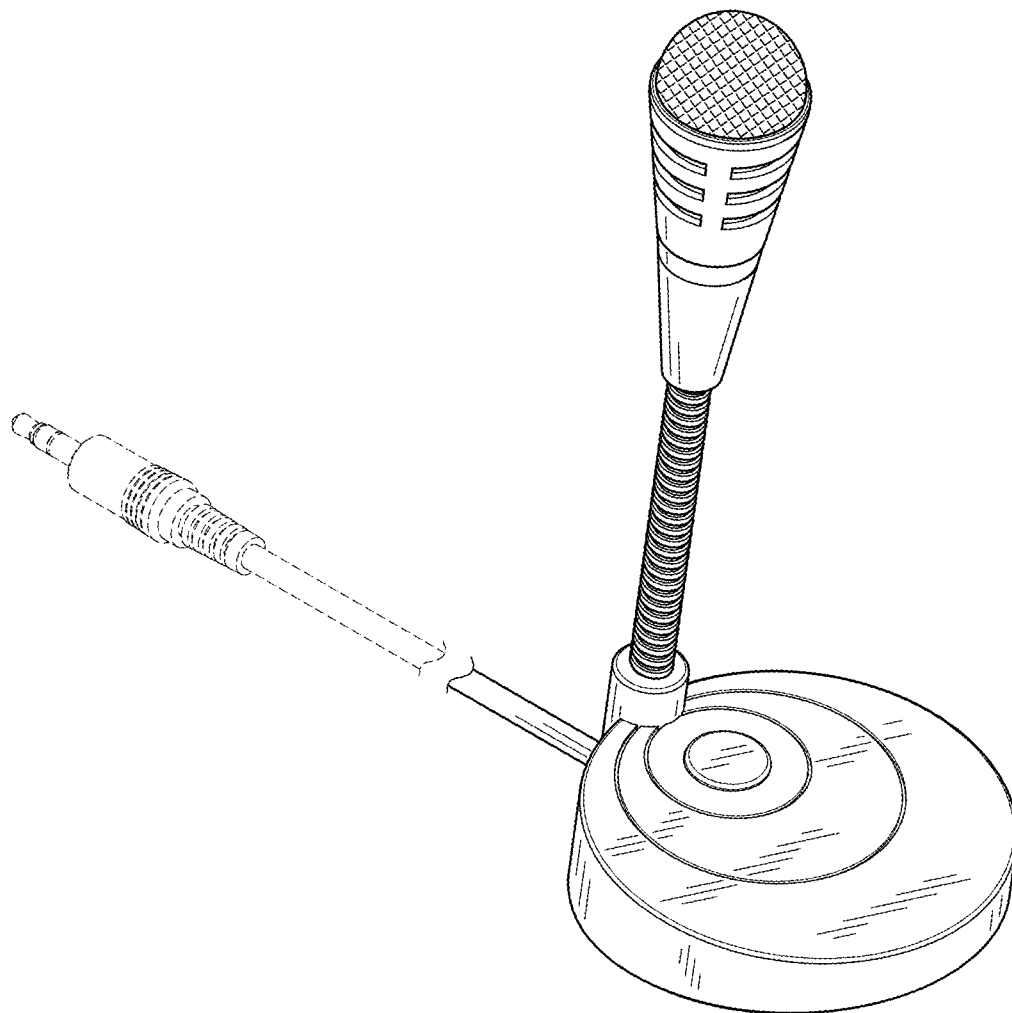


Fig.9