



US00D871234S

(12) **United States Design Patent**  
**Grove**

(10) **Patent No.:** **US D871,234 S**

(45) **Date of Patent:** **\*\* Dec. 31, 2019**

(54) **ROLL-UP FOOD TRAY**

(56) **References Cited**

(71) Applicant: **James E Grove**, Marina Del Rey, CA (US)

U.S. PATENT DOCUMENTS

(72) Inventor: **James E Grove**, Marina Del Rey, CA (US)

1,263,103	A *	4/1918	Pfeil	.....	A47J 39/00 99/448
1,568,742	A *	1/1926	Jung	.....	A21B 3/134 249/133
1,671,450	A *	5/1928	Ross	.....	A21B 3/134 99/447
D209,605	S *	12/1967	Zoeller et al.	.....	D7/359
D223,145	S *	3/1972	Bloch	.....	D9/456
D236,881	S *	9/1975	Mitchell	.....	D9/759
D293,193	S *	12/1987	Vandervoort	.....	D7/354
D305,729	S *	1/1990	Bridel	.....	D9/756
D306,139	S *	2/1990	Bridel	.....	D9/756
D354,197	S *	1/1995	Fish	.....	D7/504

(73) Assignee: **L.A. Packaging Design, LLC**,  
Compton, CA (US)

(\*\*) Term: **15 Years**

(Continued)

(21) Appl. No.: **29/608,588**

(22) Filed: **Jun. 22, 2017**

*Primary Examiner* — W. A. Teddy Falloway

(51) **LOC (12) Cl.** ..... **09-03**

(74) *Attorney, Agent, or Firm* — Morland C. Fischer

(52) **U.S. Cl.**

(57) **CLAIM**

USPC ..... **D9/761**; D9/760; D7/553.3; D7/557

The ornamental design for a roll-up food tray, as shown and described.

(58) **Field of Classification Search**

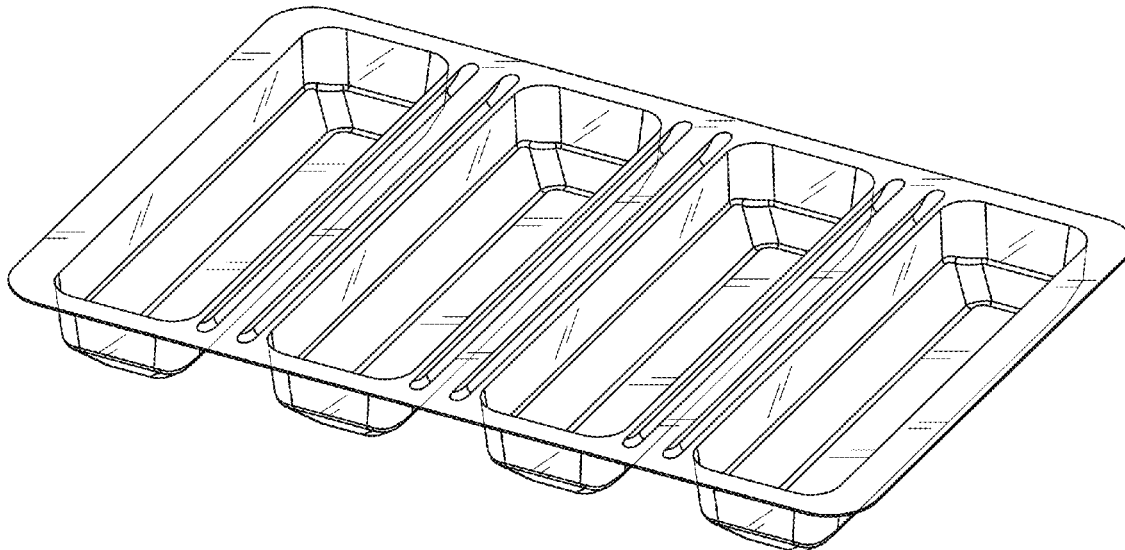
**DESCRIPTION**

USPC ..... D9/737, 748, 749, 756–762, 414,  
D9/430–432, 456; D7/550.1,  
D7/553.1–554.4, 555, 557, 584, 586, 587,  
D7/601, 602, 701, 705–708, 619.1, 300,  
D7/305, 311, 357, 354; D3/203.3, 202,  
D3/201, 304, 305, 310–315; D11/143,  
D11/155; D19/101, 102, 107, 75, 77, 85;  
D24/216, 224, 226, 227, 229; D30/130;  
206/216, 217, 541–550, 518, 557, 558,  
206/561, 564, 223, 467; 220/23.83, 212,  
220/500, 506, 507, 553, 555, 556, 560,  
220/561, 574, 575, 577, 657, 659;  
426/106  
CPC . A21B 3/134; A21B 3/132; A61B 2050/3008;  
A61B 2050/3009; A61B 50/33; A61C  
2202/00; B65D 1/30; B65D 21/0206;  
B65D 75/24; B65D 75/327; B65D 75/367

See application file for complete search history.

FIG. 1 is a perspective view showing the top, front and right side of a roll-up food tray, which forms my new design, wherein the roll-up food tray is unrolled;  
FIG. 2 is a top plan view thereof;  
FIG. 3 is a front elevational view thereof, this view and the opposite rear elevational view being identical;  
FIG. 4 is a left side elevational view thereof, this view and the opposite right side elevational view being identical;  
FIG. 5 is a bottom plan view thereof;  
FIG. 6 is a front elevational view showing the top and front of the roll-up food tray, wherein the roll-up food tray is rolled up; and,  
FIG. 7 is a perspective view of the roll-up food tray of FIG. 1, wherein the broken lines illustrate a sleeve representing environment that forms no part of the claimed design.

**1 Claim, 3 Drawing Sheets**



(56)

References Cited

U.S. PATENT DOCUMENTS

D436,730	S *	1/2001	Dembicks	.....	D3/313	9,468,216	B2 *	10/2016	Parth	.....	A21B 3/134
D437,116	S *	2/2001	Dembicks	.....	D3/313	D804,961	S *	12/2017	Shoshan	.....	D9/737
D451,676	S *	12/2001	Dembicks	.....	D3/313	D808,039	S *	1/2018	Self	.....	D24/227
D530,160	S *	10/2006	Maltese	.....	D7/629	D813,028	S *	3/2018	Saito	.....	D9/415
D549,456	S *	8/2007	Dretzka	.....	D3/304	D814,929	S *	4/2018	Bergeron	.....	D9/456
D590,596	S *	4/2009	Dretzka	.....	D3/304	D827,451	S *	9/2018	Parikh	.....	D9/756
D591,175	S *	4/2009	Larson	.....	D9/425	D846,144	S *	4/2019	Fawdington	.....	D24/224
D616,250	S *	5/2010	Peyton	.....	D7/553.3	D855,478	S *	8/2019	Vorobej	.....	D9/756
D636,219	S *	4/2011	Cornu	.....	D7/354	2003/0116459	A1 *	6/2003	Sarkar	.....	B65D 75/36 206/362.1
D651,922	S *	1/2012	Short	.....	D9/737	2010/0065562	A1 *	3/2010	Vovan	.....	B65D 1/30 220/23.4
D655,165	S *	3/2012	Jensen	.....	B65D 25/10 D9/456	2011/0072981	A1 *	3/2011	Tingley	.....	A21B 3/134 99/426
D688,572	S *	8/2013	Marin	.....	D9/425	2014/0272056	A1 *	9/2014	Parth	.....	A21B 3/134 426/497
D707,077	S *	6/2014	Sarnoff	.....	D7/354	2016/0262843	A1 *	9/2016	Sellers	.....	A61B 50/33
D713,196	S *	9/2014	Sarnoff	.....	D7/357	2016/0318682	A1 *	11/2016	Vorobej	.....	A45C 11/10
D729,624	S *	5/2015	Carroll	.....	D9/456	2018/0224177	A1 *	8/2018	Gaines	.....	F25C 1/243
D734,169	S *	7/2015	Harper	.....	D9/756	2018/0280242	A1 *	10/2018	Fawdington	.....	A61J 7/0069
9,332,766	B2 *	5/2016	Tingley	.....	A21B 3/132						

\* cited by examiner

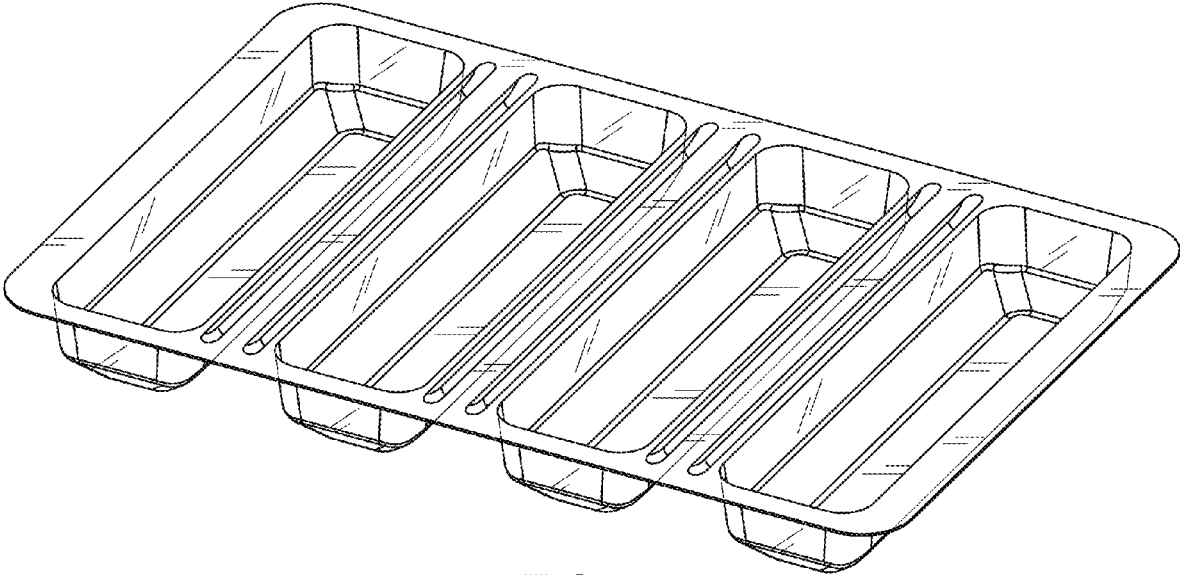


FIG. 1

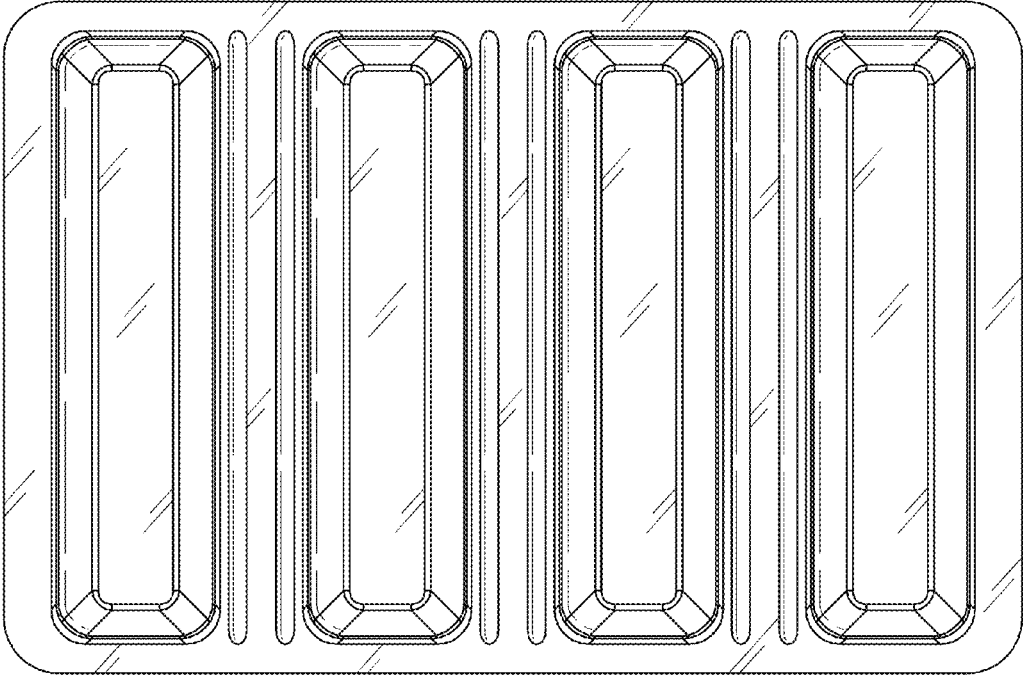


FIG. 2

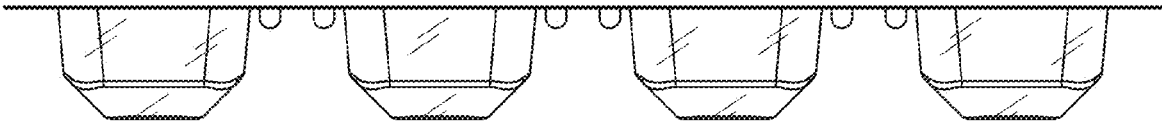


FIG. 3

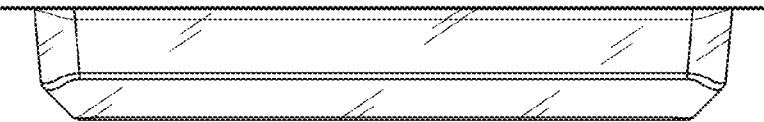


FIG. 4

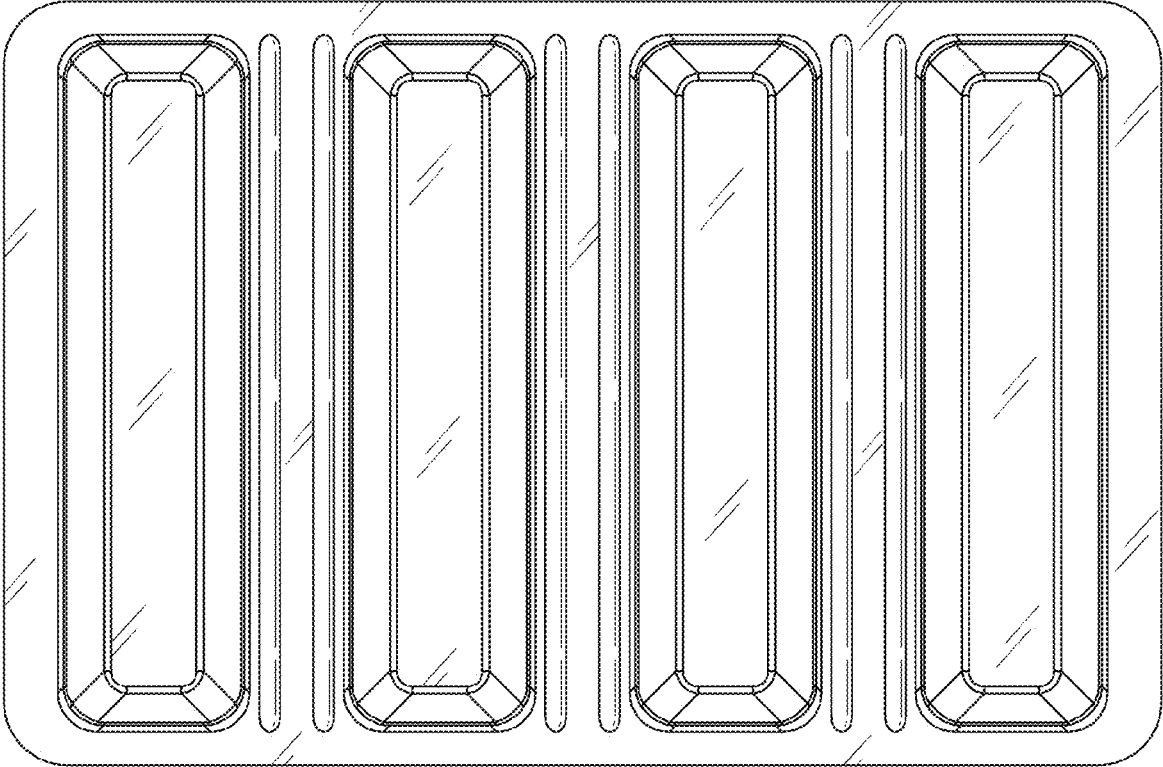


FIG. 5

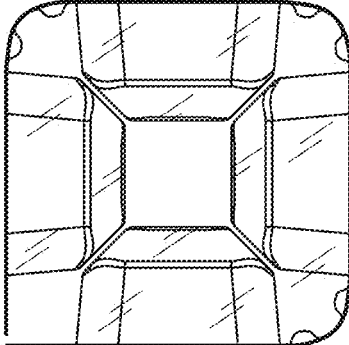


FIG. 6

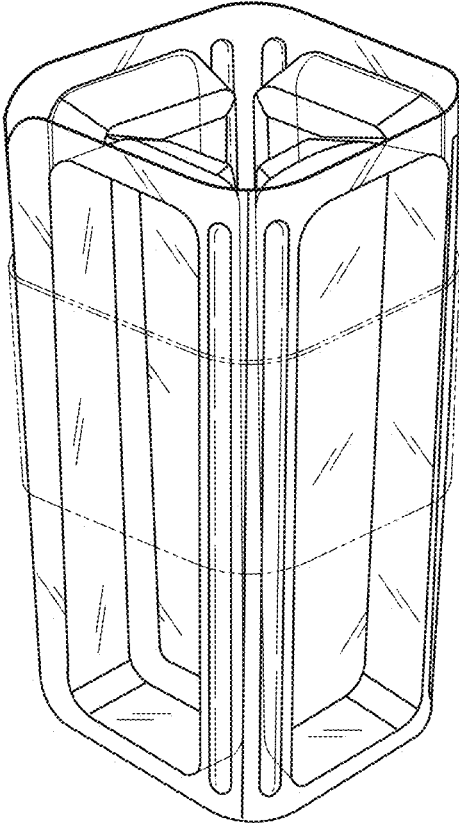


FIG. 7