



US00D545442S

(12) **United States Design Patent**
Weeks

(10) **Patent No.:** **US D545,442 S**

(45) **Date of Patent:** **** Jun. 26, 2007**

(54) **WATERPROOF CAST PROTECTOR**

(76) Inventor: **Michael R. Weeks**, 9079 Danesbury Ct., Las Vegas, NV (US) 89123

(**) Term: **14 Years**

(21) Appl. No.: **29/230,697**

(22) Filed: **May 26, 2005**

(51) **LOC (8) Cl.** **24-01**

(52) **U.S. Cl.** **D24/190**

(58) **Field of Classification Search** D24/190-3;
602/4-6, 20, 27, 61-2, 79; 128/865-6, 878,
128/876; 604/20-21; 24/442; D29/113;
473/62; D6/601

See application file for complete search history.

(56) **References Cited**

U.S. PATENT DOCUMENTS

2,244,871 A *	6/1941	Guinzburg	2/59
2,326,422 A *	8/1943	Weisberger	2/59
3,329,143 A *	7/1967	Gordon	602/3
3,721,997 A *	3/1973	Mundt	2/46
4,346,699 A *	8/1982	Little et al.	602/3
4,911,151 A	3/1990	Rankin et al.	
5,016,622 A	5/1991	Norvell	
5,070,630 A	12/1991	Edmundson	
5,083,557 A	1/1992	Lennon et al.	
D339,671 S	9/1993	Manning	

5,342,286 A	8/1994	Kelly et al.	
5,395,302 A	3/1995	Botha et al.	
5,865,772 A	2/1999	George	
D406,897 S *	3/1999	Agati et al.	D24/192
D434,193 S *	11/2000	Moss	D29/121.2
6,353,939 B1 *	3/2002	Arber	2/242

* cited by examiner

Primary Examiner—Louis S. Zarfes

Assistant Examiner—Susan E Krakower

(74) *Attorney, Agent, or Firm*—Donald R. Schoonover

(57) **CLAIM**

I claim the ornamental design for a waterproof cast protector, as shown and described.

DESCRIPTION

FIG. 1 is a perspective view of a waterproof cast protector showing my new design;

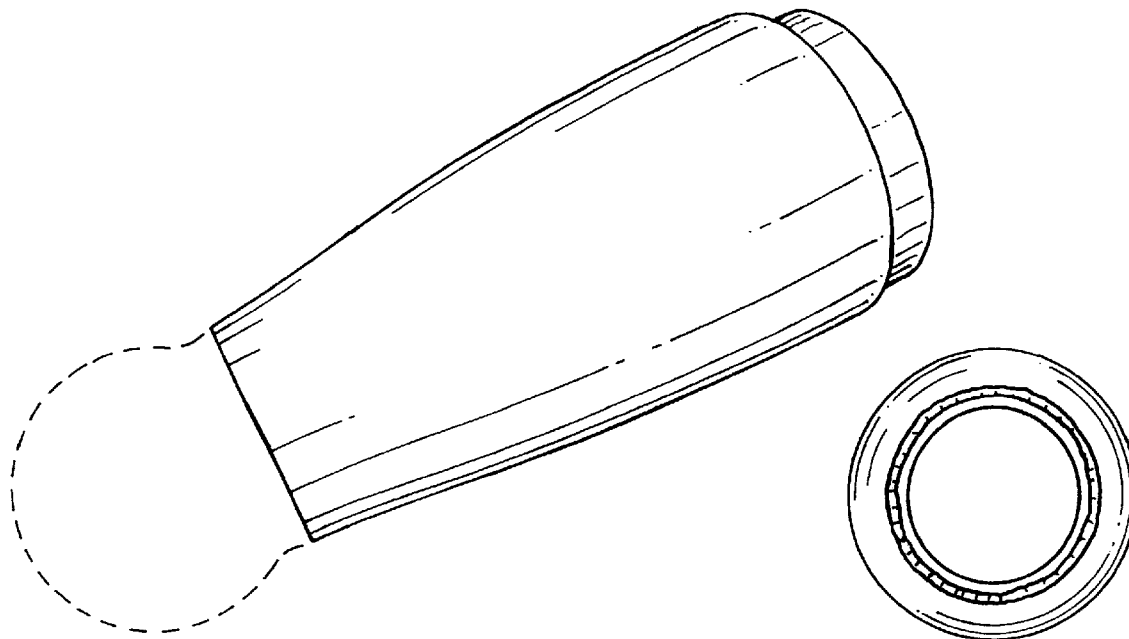
FIG. 2 is an end elevational view thereof;

FIG. 3 is an elevational view of the opposing end thereof; and,

FIG. 4 is a top plan view, bottom plan view, and all side elevational views thereof being identical thereto.

The broken line showing of a limb is included for the purpose of illustrating environmental structure and forms no part of the claimed design.

1 Claim, 2 Drawing Sheets



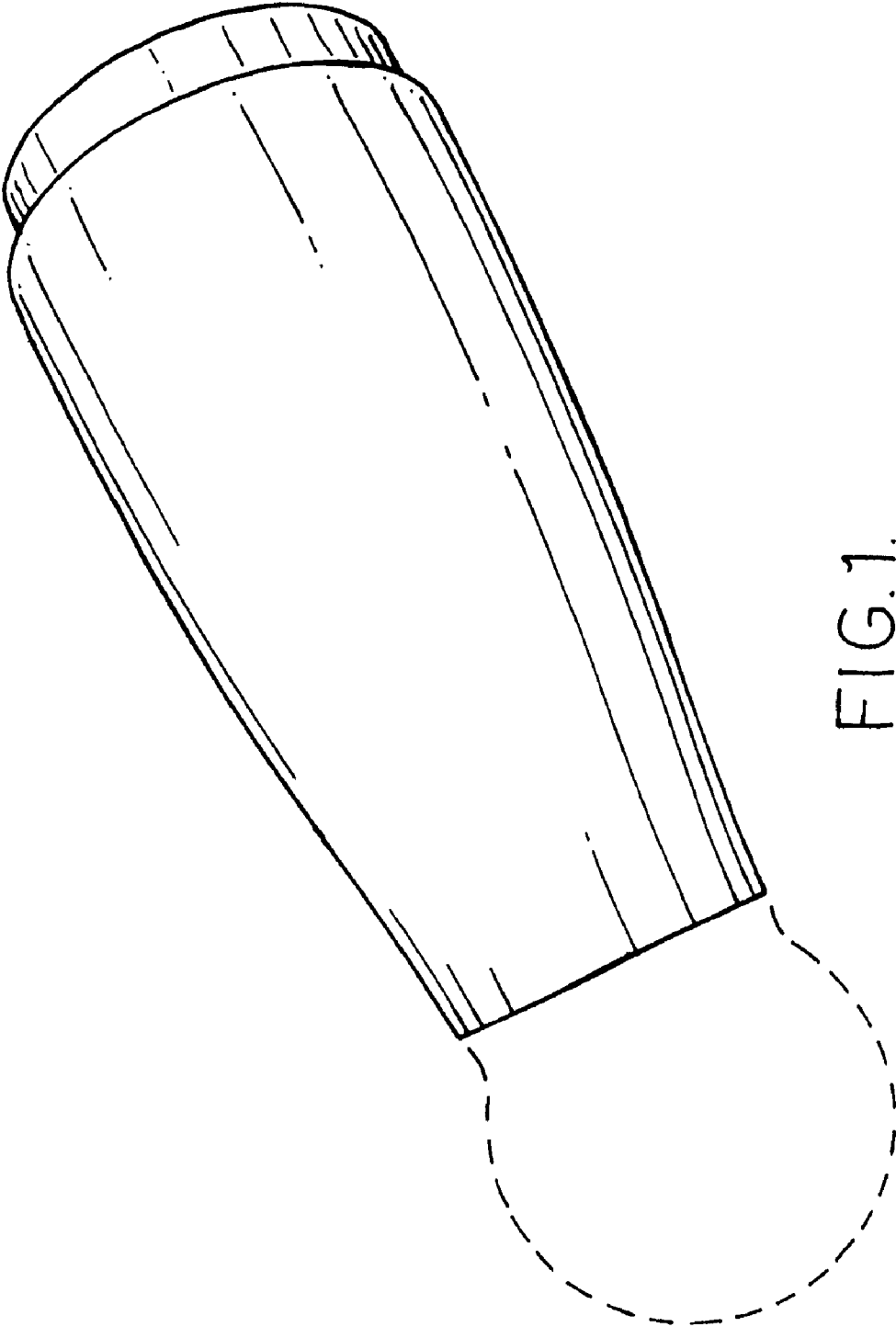


FIG. 1.

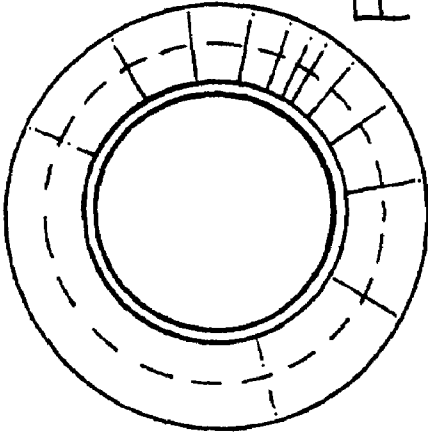


FIG. 2.

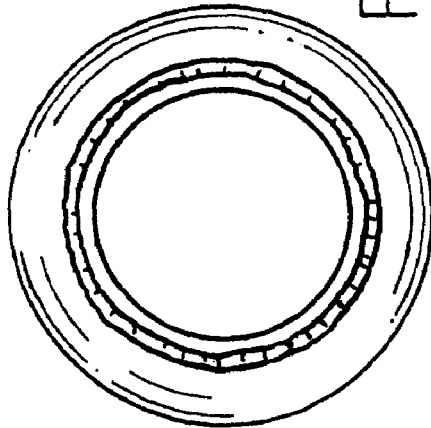


FIG. 3.

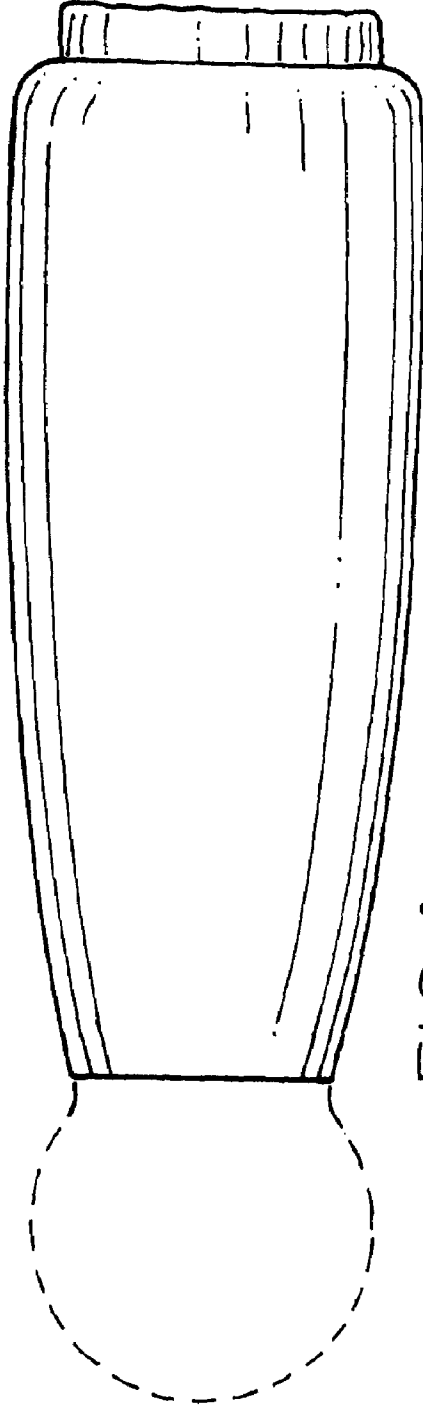


FIG. 4.