



US00D603436S

(12) **United States Design Patent**
Hamilton

(10) **Patent No.:** **US D603,436 S**

(45) **Date of Patent:** **** Nov. 3, 2009**

(54) **MONOCULAR WITH ATTACHMENT POINTS**

(75) Inventor: **Samuel J. Hamilton**, Mount Horeb, WI (US)

(73) Assignee: **Sheltered Wings, Inc.**, Middleton, WI (US)

(**) Term: **14 Years**

(21) Appl. No.: **29/313,015**

(22) Filed: **Dec. 1, 2008**

(51) **LOC (9) Cl.** **16-06**

(52) **U.S. Cl.** **D16/132**

(58) **Field of Classification Search** D16/130,
D16/132, 203; D22/109; 359/399, 353,
359/408, 409, 411, 418, 809, 818, 819; 250/214 VT,
250/216

See application file for complete search history.

(56) **References Cited**

U.S. PATENT DOCUMENTS

D253,177 S *	10/1979	Litman	D16/130
D275,684 S *	9/1984	Tominaga	D16/132
D287,977 S *	1/1987	Cannon	D16/132
4,672,194 A *	6/1987	Kastendieck et al. ..	250/214 VT	
D305,030 S *	12/1989	Fukushima	D16/132
5,307,204 A *	4/1994	Dor	359/400
D349,510 S *	8/1994	Tomita	D16/132
D351,397 S *	10/1994	Dor	D16/130
D365,858 S *	1/1996	Tomita	D22/109
D369,367 S *	4/1996	Tomita	D16/132
D369,613 S *	5/1996	Palmer	D16/132
D380,222 S *	6/1997	Bryant	D16/132
5,786,932 A *	7/1998	Pniel	359/409

5,796,516 A *	8/1998	Palmer	359/399
D413,130 S *	8/1999	Bryant et al.	D16/132
5,943,174 A *	8/1999	Bryant et al.	359/809
D420,718 S *	2/2000	Otteman et al.	D22/109
6,288,386 B1 *	9/2001	Bowen et al.	250/214 VT
D472,256 S *	3/2003	Schick	D16/132
D472,569 S *	4/2003	Schick	D16/132
D522,031 S *	5/2006	Siu	D16/132
D533,573 S *	12/2006	Barber et al.	D16/130
D539,317 S *	3/2007	Tonhofer	D16/132
D547,780 S *	7/2007	Meinzer	D16/132
D564,555 S *	3/2008	Palmer	D16/132

* cited by examiner

Primary Examiner—Paula Greene

(74) *Attorney, Agent, or Firm*—Bennet K. Langlotz; Langlotz Patent & Trademark Works, Inc.

(57) **CLAIM**

The ornamental design for a monocular with attachment points, as shown and described.

DESCRIPTION

FIG. 1 is a front perspective view of a monocular with attachment points showing my (our) new design;

FIG. 2 is a left side view thereof;

FIG. 3 is a top view thereof;

FIG. 4 is a right side view thereof;

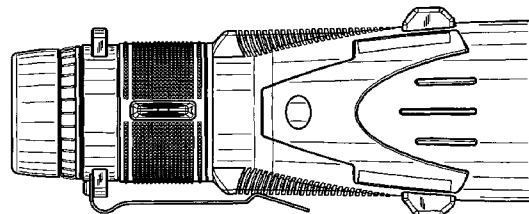
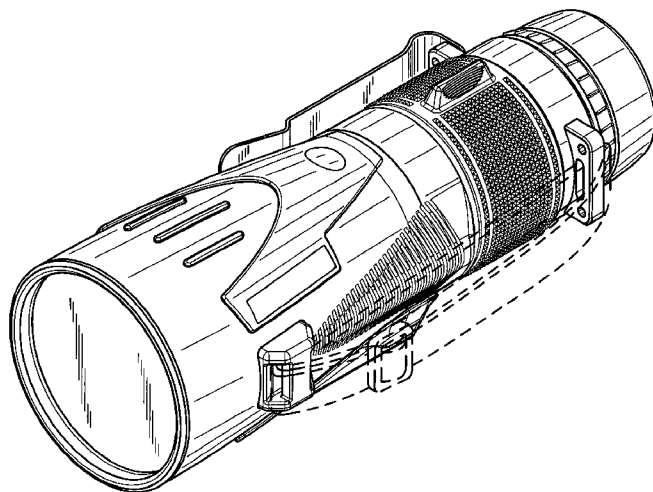
FIG. 5 is a bottom view thereof;

FIG. 6 is a rear view thereof; and,

FIG. 7 is a front view thereof.

The broken lines form no part of the claimed design.

1 Claim, 3 Drawing Sheets



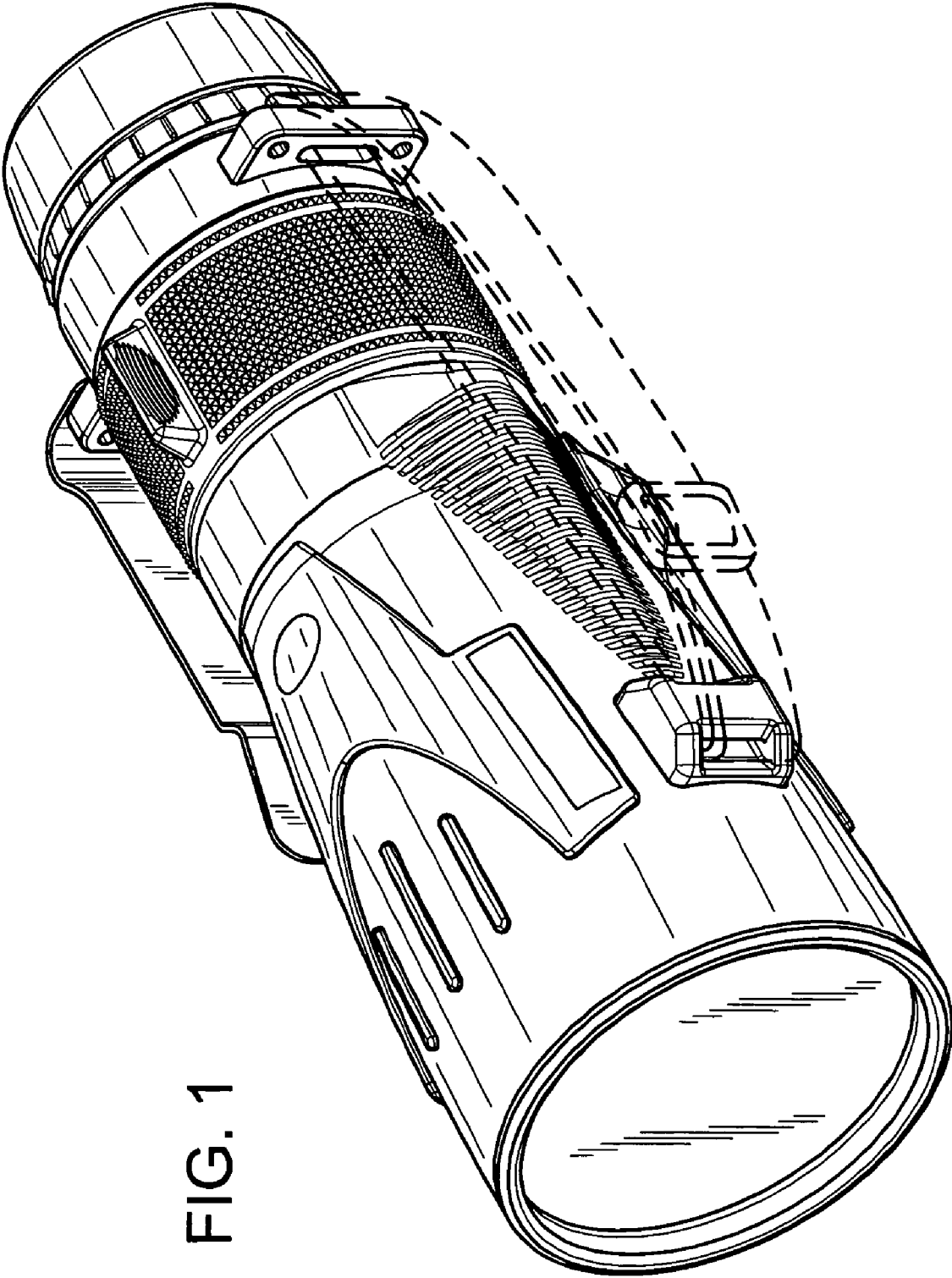


FIG. 1

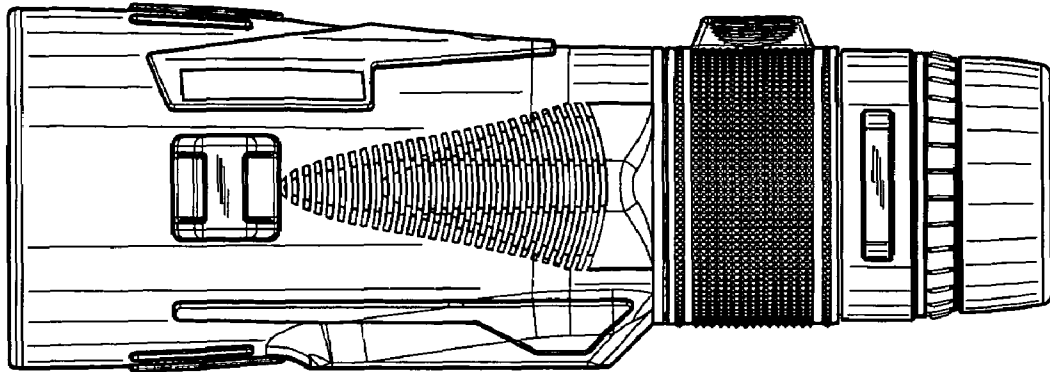


FIG. 2

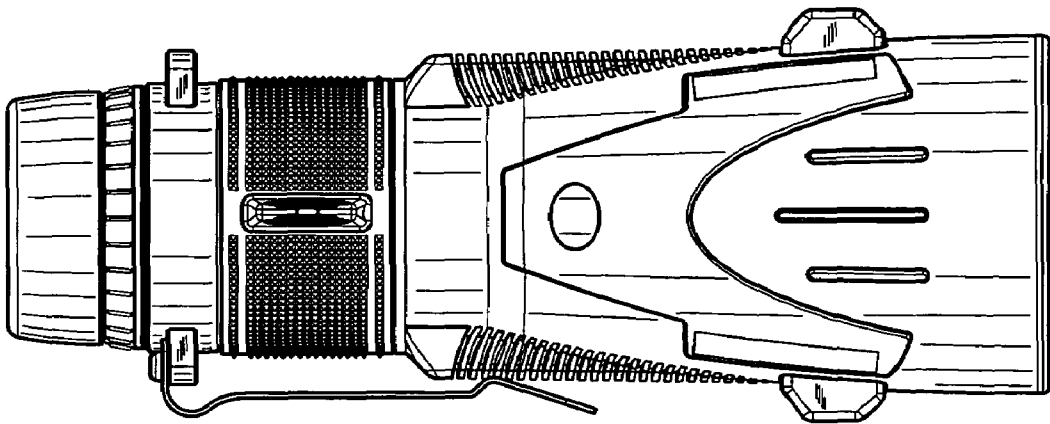


FIG. 3

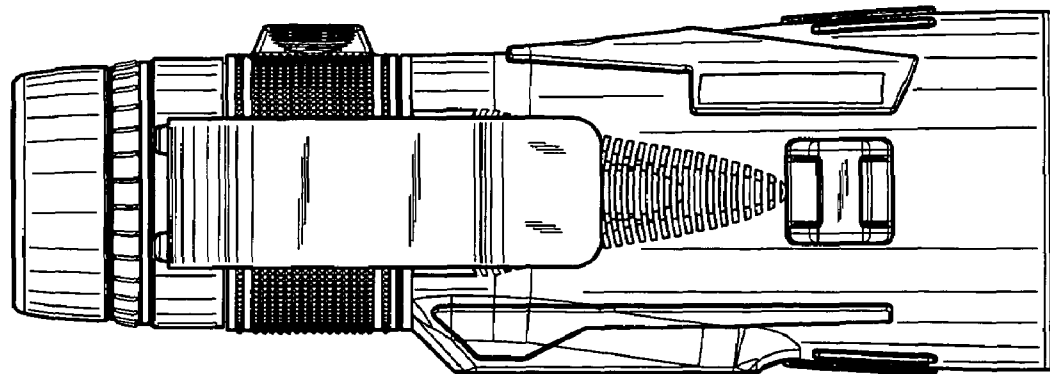


FIG. 4

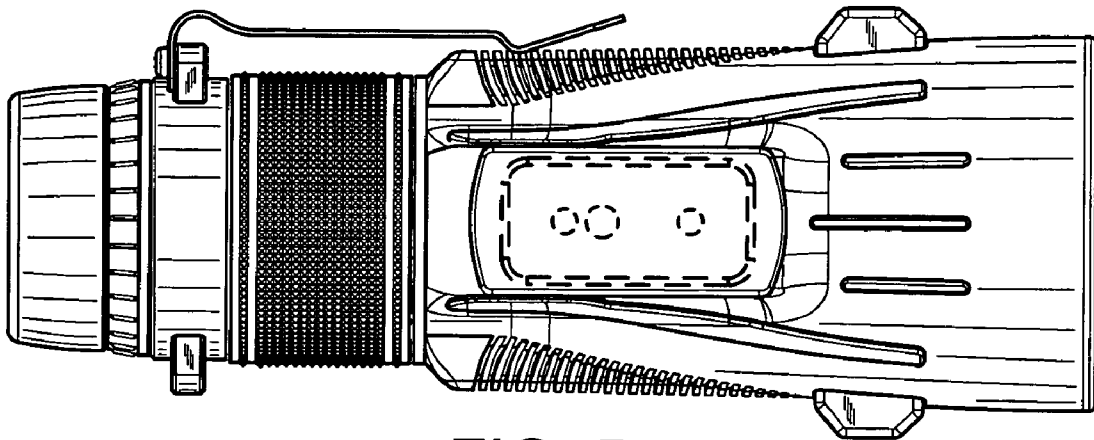


FIG. 5

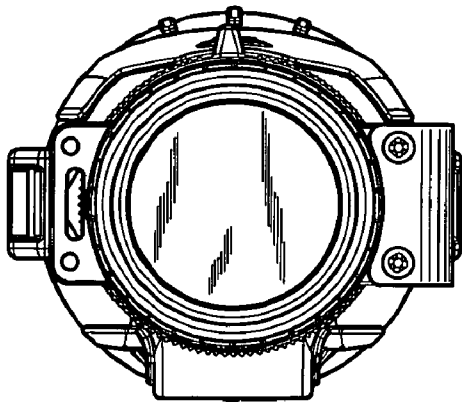


FIG. 6

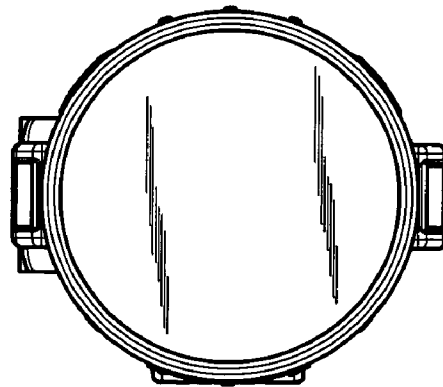


FIG. 7