



US0D1033297S

(12) **United States Design Patent** (10) **Patent No.:** **US D1,033,297 S**
Willing et al. (45) **Date of Patent:** **** Jul. 2, 2024**

(54) **VEHICLE FRONT BUMPER COVER**

(71) Applicant: **Ford Global Technologies, LLC,**
Dearborn, MI (US)

(72) Inventors: **Todd Willing,** Grosse Pointe, MI (US);
Ehab Kaoud, Livonia, MI (US); **Sean Tant,** Livonia, MI (US); **Jiacheng Liu,** Dearborn, MI (US)

(73) Assignee: **Ford Global Technologies, LLC,**
Dearborn, MI (US)

(**) Term: **15 Years**

(21) Appl. No.: **29/857,399**

(22) Filed: **Oct. 21, 2022**

(51) **LOC (14) Cl.** **12-16**

(52) **U.S. Cl.**

USPC **D12/169**

(58) **Field of Classification Search**

USPC D12/169, 196, 86, 90-92, 163, 190, 98,
D12/164; 293/102, 113, 115, 117, 120,
293/193.11; 296/180.1, 180.2

CPC B60R 19/02; B60R 19/04; B62D 25/08
See application file for complete search history.

(56) **References Cited**

U.S. PATENT DOCUMENTS

D532,727 S 11/2006 Schiavone et al.
D597,000 S 7/2009 Golden et al.

D721,303 S * 1/2015 Platto D12/169
D777,617 S * 1/2017 Platto D12/169
D778,213 S 2/2017 Platto et al.
D801,891 S * 11/2017 Scheinhütte D12/169
D805,008 S * 12/2017 Scheinhütte D12/169
D817,822 S * 5/2018 Platto D12/169
D819,520 S * 6/2018 Platto D12/169
D883,870 S 5/2020 Platto et al.
D885,269 S 5/2020 Platto et al.
D937,150 S * 11/2021 Wraith D12/169

* cited by examiner

Primary Examiner — Melody N Brown

(74) *Attorney, Agent, or Firm* — Vichit Chea

(57) **CLAIM**

The ornamental design for a vehicle front bumper cover, as shown and described.

DESCRIPTION

FIG. 1 is a front elevational view of a vehicle front bumper cover, showing our new design;

FIG. 2 is a left side elevational view thereof;

FIG. 3 is a right side elevational view thereof;

FIG. 4 is a top plan view thereof;

FIG. 5 is a bottom plan view thereof;

FIG. 6 is a top, front and left side perspective view thereof; and,

FIG. 7 is a bottom, front and left side perspective view thereof.

The claimed design is indicated by the relatively dark portions in the figures. The de-emphasized and relatively light portions form no part of the claimed design.

1 Claim, 7 Drawing Sheets



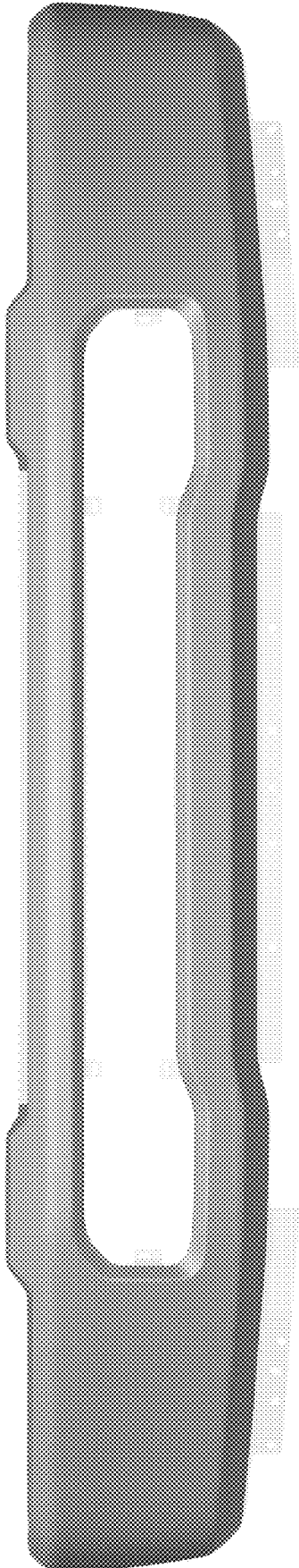


Fig. 1

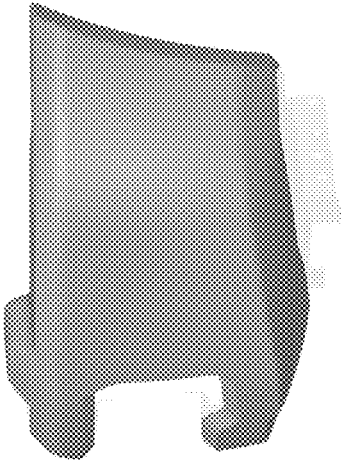


Fig. 2

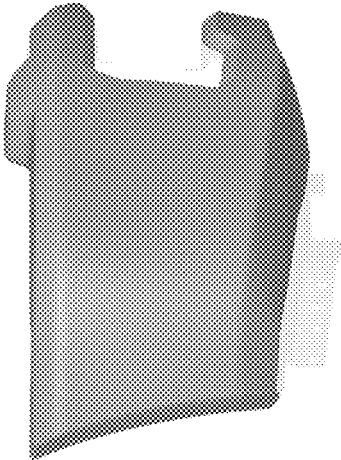


Fig. 3

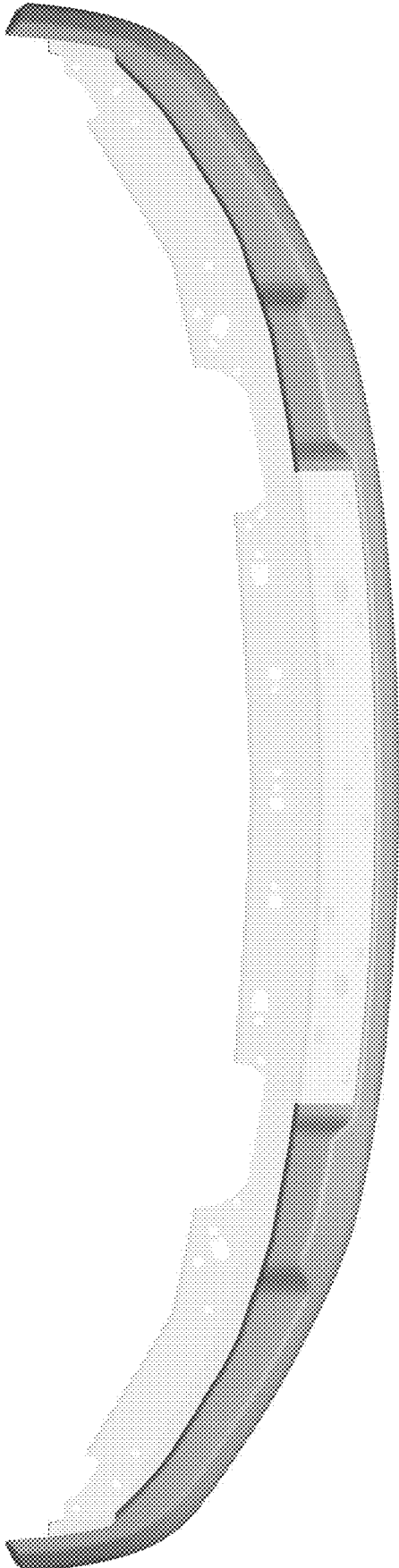


Fig.4

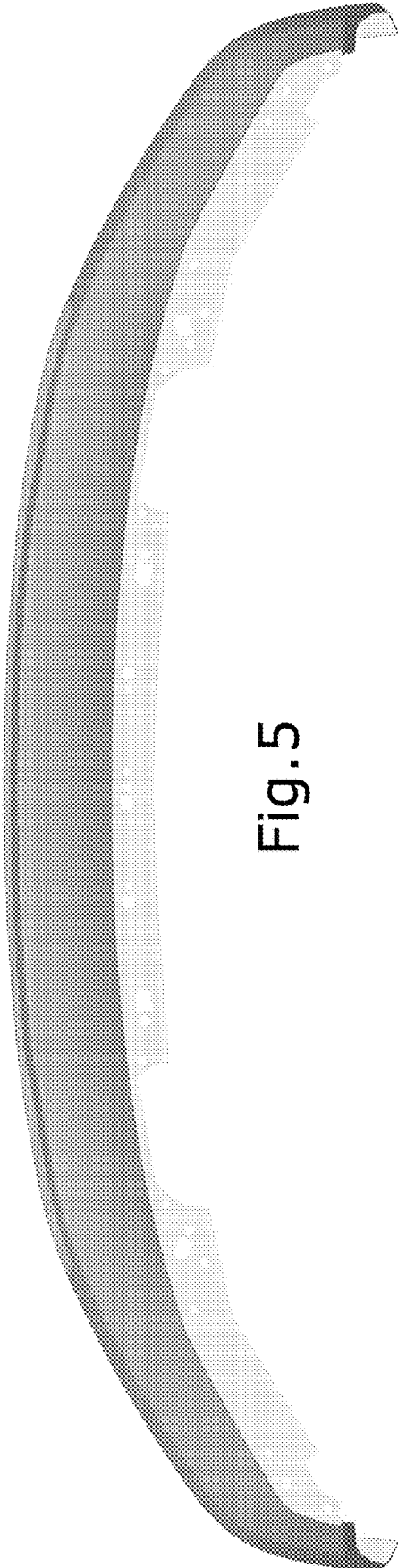


Fig. 5

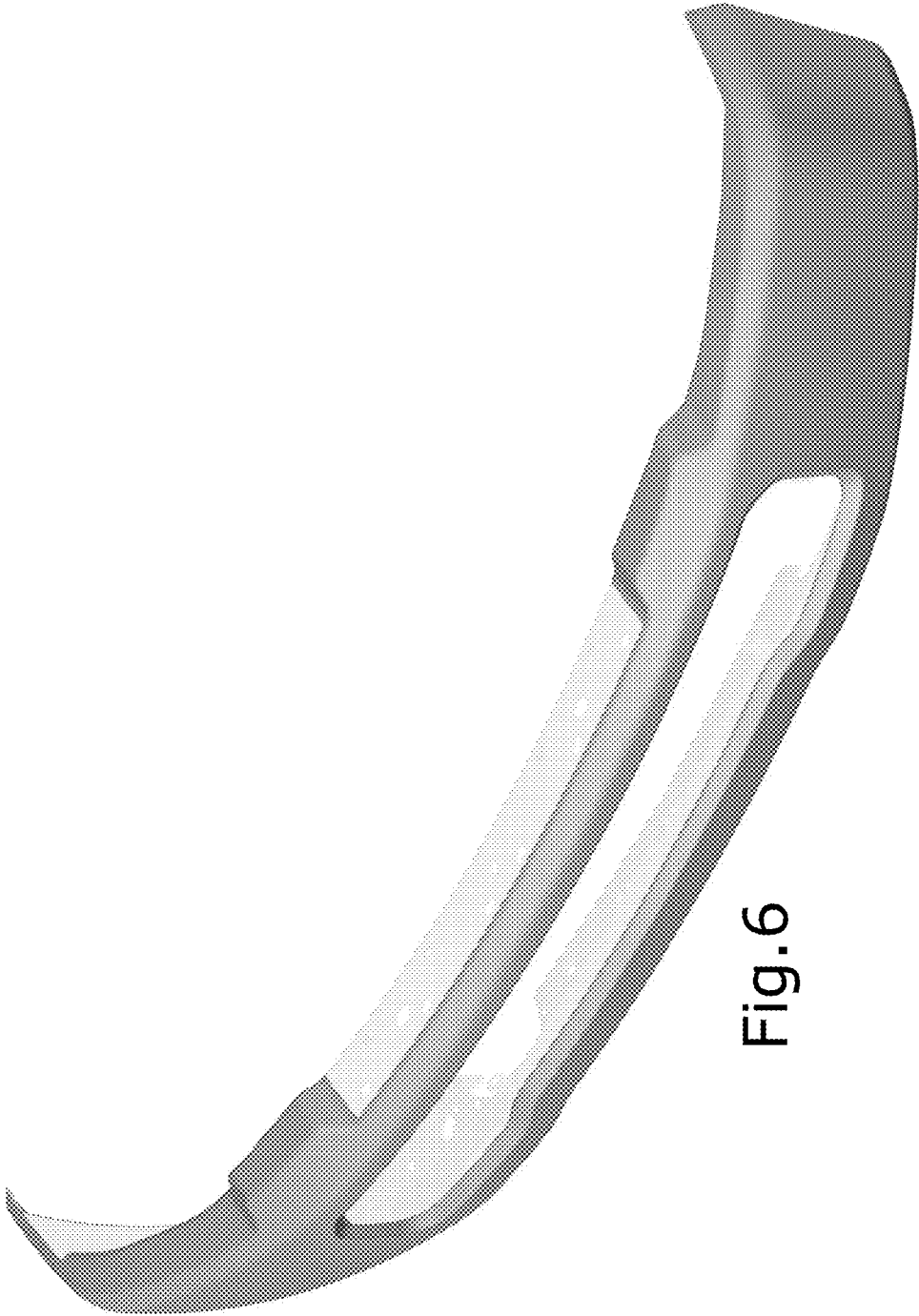


Fig. 6

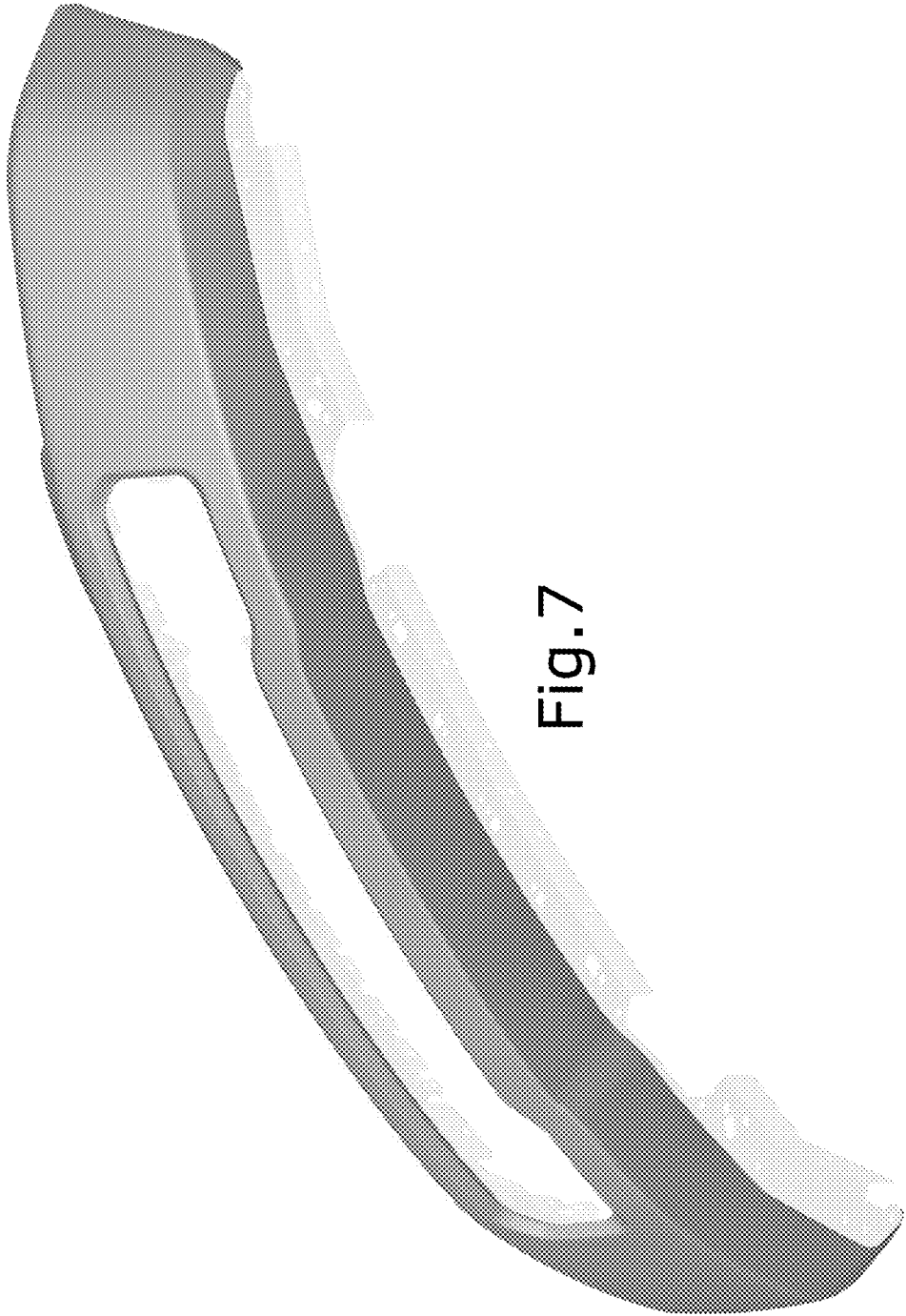


Fig. 7