

(19) World Intellectual Property Organization
International Bureau



(43) International Publication Date
14 June 2007 (14.06.2007)

PCT

(10) International Publication Number
WO 2007/067634 A3

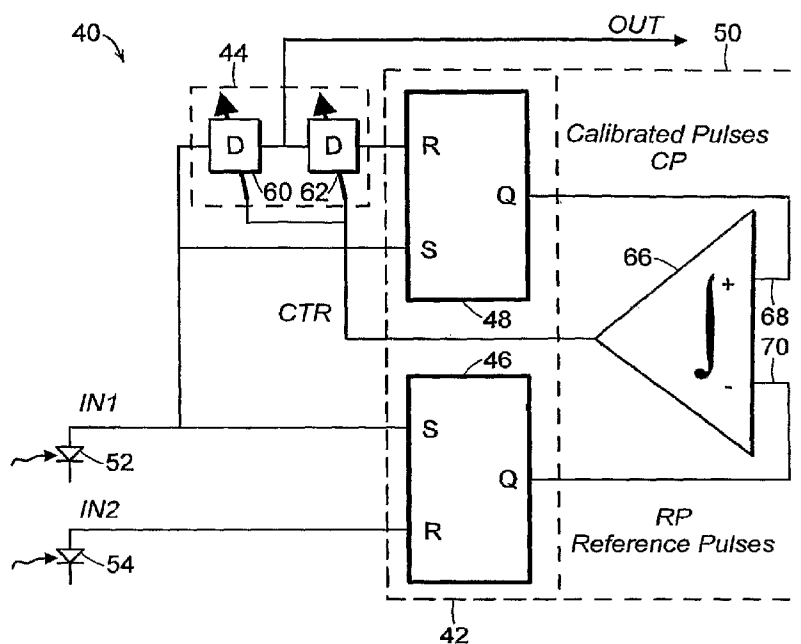
- (51) International Patent Classification:
G06F 1/04 (2006.01)
- (21) International Application Number:
PCT/US2006/046572
- (22) International Filing Date:
6 December 2006 (06.12.2006)
- (25) Filing Language: English
- (26) Publication Language: English
- (30) Priority Data:
60/742,803 6 December 2005 (06.12.2005) US
60/751,180 16 December 2005 (16.12.2005) US
11/390,644 28 March 2006 (28.03.2006) US
- (71) Applicant (for all designated States except US): APPLIED MATERIALS, INC. [US/US]; 3050 Bowers Avenue, Santa Clara, CA 95054 (US).
- (72) Inventors; and
- (75) Inventors/Applicants (for US only): PRODANOV, Vladimir [BG/US]; 124 Hawthorne Drive, New Providence, NJ 07974 (US). BANU, Mihai [US/US]; 22 Sulfrian Road, New Providence, NJ 07974 (US).
- (74) Agents: PRAHL, Eric, L. et al.; Wilmer Cutler Pickering Hale and Dorr LLP, 60 State Street, Boston, MA 02109 (US).

- (81) Designated States (unless otherwise indicated, for every kind of national protection available): AE, AG, AL, AM, AT, AU, AZ, BA, BB, BG, BR, BW, BY, BZ, CA, CH, CN, CO, CR, CU, CZ, DE, DK, DM, DZ, EC, EE, EG, ES, FI, GB, GD, GE, GH, GM, GT, HN, HR, HU, ID, IL, IN, IS, JP, KE, KG, KM, KN, KP, KR, KZ, LA, LC, LK, LR, LS, LT, LU, LV, LY, MA, MD, MG, MK, MN, MW, MX, MY, MZ, NA, NG, NI, NO, NZ, OM, PG, PH, PL, PT, RO, RS, RU, SC, SD, SE, SG, SK, SL, SM, SV, SY, TJ, TM, TN, TR, TT, TZ, UA, UG, US, UZ, VC, VN, ZA, ZM, ZW.
- (84) Designated States (unless otherwise indicated, for every kind of regional protection available): ARIPO (BW, GH, GM, KE, LS, MW, MZ, NA, SD, SL, SZ, TZ, UG, ZM, ZW), Eurasian (AM, AZ, BY, KG, KZ, MD, RU, TJ, TM), European (AT, BE, BG, CH, CY, CZ, DE, DK, EE, ES, FI, FR, GB, GR, HU, IE, IS, IT, LT, LU, LV, MC, NL, PL, PT, RO, SE, SI, SK, TR), OAPI (BF, BJ, CF, CG, CI, CM, GA, GN, GQ, GW, ML, MR, NE, SN, TD, TG).

Published:
— with international search report

(88) Date of publication of the international search report:
3 July 2008

(54) Title: AVERAGE TIME EXTRACTION CIRCUIT FOR ELIMINATING CLOCK SKEW



(57) Abstract: A method involving: detecting a first signal characterized by a periodically occurring first event; detecting a second signal characterized by a periodically occurring second event; and based on both the detected first and second signals, generating a third signal characterized by a periodically occurring third event, wherein generating the third signal involves automatically adjusting the phase of the third signal so that the periodically occurring third event occurs at a predetermined location between the first and second events of the first and second signals.

WO 2007/067634 A3

INTERNATIONAL SEARCH REPORT

International application No.

PCT/US 06/46572

A. CLASSIFICATION OF SUBJECT MATTER

IPC(8) - G06F 1/04 (2007.01)

USPC - 327/291

According to International Patent Classification (IPC) or to both national classification and IPC

B. FIELDS SEARCHED

Minimum documentation searched (classification system followed by classification symbols)

IPC(8): G06F 1/04 (2007.01); USPC: 327/291

Documentation searched other than minimum documentation to the extent that such documents are included in the fields searched
USPC: 327/291; 713/503 (keyword limited -- see keywords below)

Electronic data base consulted during the international search (name of data base and, where practicable, search terms used)

PubWEST, SCHOLAR GOOGLE: average time extraction, skew, de-skew, delay, clock, timing, phase, adjustment, compensation, offset, propagation delay, integrator, network-on-chip

C. DOCUMENTS CONSIDERED TO BE RELEVANT

Category*	Citation of document, with indication, where appropriate, of the relevant passages	Relevant to claim No.
X -- Y	US 5,570,053 A (TAKLA) 29 October 1996 (29.10.1996), entire document; Abstract; col 4, ln 48-64; Fig 3; col 3, ln 44-55; Fig 1; col 4, ln 22-48; col 4, ln 2-9; col 4, ln 65-col 5, ln 17; col 5, ln 8-17; col 4, ln 31-39; col 1, ln 50-56; col 4, ln 22-64; col 4, ln 31-39; col 3, ln 35-42; col 3, ln 44-55; col 4, ln 22-48; col 3, ln 20-33; col 4, ln 51-53; col 4, ln 49-64; col 4, ln 34-42; col 5, ln 28-31.	1, 7-8, 11-17 ----- 2-6, 9-10, 18-27
Y	US 5,105,160 A (SUMMERS) 14 April 1992 (14.04.1992), entire document; Abstract; col 4, ln 33-45; Fig 3; col 3, ln 18-34; col 1, ln 43-45; col 4, ln 28-48; Fig 2; col 5, ln 8-17; Fig 3; col 3, ln 44-65; Fig 3; col 4, ln 63-col 5, ln 10; col 6, ln 9-30; col 6, ln 30-47; Fig 6; col 4, ln 33-37.	2-6, 9-10, 18-27
A	US 4,839,907 A (SANESKI) 13 June 1989 (13.06.1989), entire document.	1-27
A	US 5,309,035 A (WATSON, JR. et al.) 03 May 1994 (03.05.1994), entire document.	1-27
A	US 6,326,830 B1 (BRADY et al.) 04 December 2001 (04.12.2001), entire document.	1-27

Further documents are listed in the continuation of Box C.

* Special categories of cited documents:	"T" later document published after the international filing date or priority date and not in conflict with the application but cited to understand the principle or theory underlying the invention
"A" document defining the general state of the art which is not considered to be of particular relevance	"X" document of particular relevance; the claimed invention cannot be considered novel or cannot be considered to involve an inventive step when the document is taken alone
"E" earlier application or patent but published on or after the international filing date	"Y" document of particular relevance; the claimed invention cannot be considered to involve an inventive step when the document is combined with one or more other such documents, such combination being obvious to a person skilled in the art
"L" document which may throw doubts on priority claim(s) or which is cited to establish the publication date of another citation or other special reason (as specified)	"G" document member of the same patent family
"O" document referring to an oral disclosure, use, exhibition or other means	
"P" document published prior to the international filing date but later than the priority date claimed	

Date of the actual completion of the international search 02 October 2007 (02.10.2007)	Date of mailing of the international search report 27 MAR 2008
---	--

Name and mailing address of the ISA/US Mail Stop PCT, Attn: ISA/US, Commissioner for Patents P.O. Box 1450, Alexandria, Virginia 22313-1450 Facsimile No. 571-273-3201	Authorized officer: Lee W. Young PCT Helpdesk: 571-272-4300 PCT OSP: 571-272-7774
---	--