



US00D483276S

(12) **United States Design Patent** (10) **Patent No.:** **US D483,276 S**
Schabbach (45) **Date of Patent:** **** Dec. 9, 2003**

(54) **DISPLAY DEVICE** D344,465 S * 2/1994 Brew et al. D10/96 X
D427,923 S * 7/2000 Jonsson et al. D10/85

(75) Inventor: **Wolfgang Schabbach**, Saarbrücken (DE) * cited by examiner

(73) Assignee: **Hydac Electronic GmbH**, Saarbrücken *Primary Examiner*—Antoine Duval Davis
(DE) (74) *Attorney, Agent, or Firm*—Roylance, Abrams, Berdo & Goodman, LLP

(**) Term: **14 Years**

(21) Appl. No.: **29/167,650**

(57) **CLAIM**

(22) Filed: **Sep. 19, 2002**

The ornamental design for a display device, as shown and described.

(30) **Foreign Application Priority Data**

DESCRIPTION

Mar. 22, 2002 (DE) 4 02 02 755

(51) **LOC (7) Cl.** **10-04**

(52) **U.S. Cl.** **D10/46; D10/52; D10/96; D10/103**

(58) **Field of Search** D10/83, 85, 95, D10/46, 52, 96, 103; 73/1.01, 431; 374/208

FIG. 1 is a perspective view of a display device embodying my design;

FIG. 2 is a front view of the display device of FIG. 1;

FIG. 3 is a rear view of the display device of FIG. 1;

FIG. 4 is a right side view of the display device of FIG. 1; and,

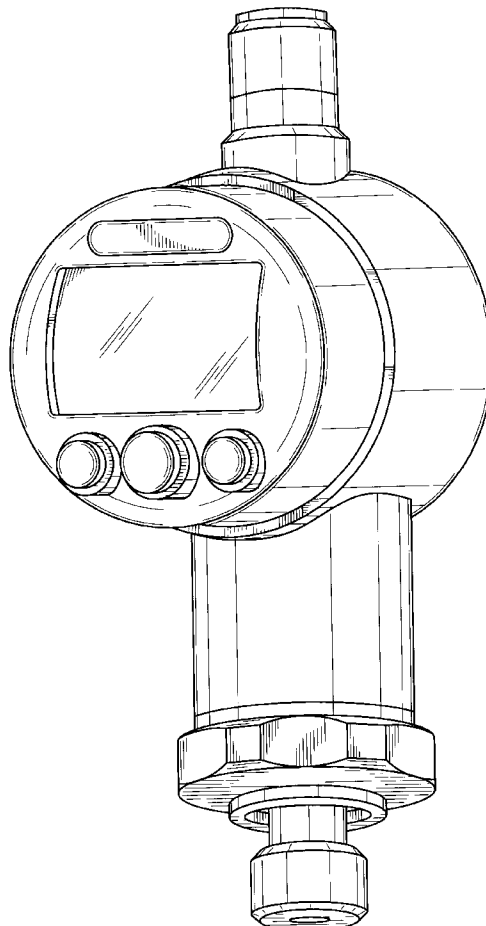
FIG. 5 is a right side view of the display device of FIG. 1.

(56) **References Cited**

U.S. PATENT DOCUMENTS

D336,252 S * 6/1993 Klose D10/52

1 Claim, 5 Drawing Sheets



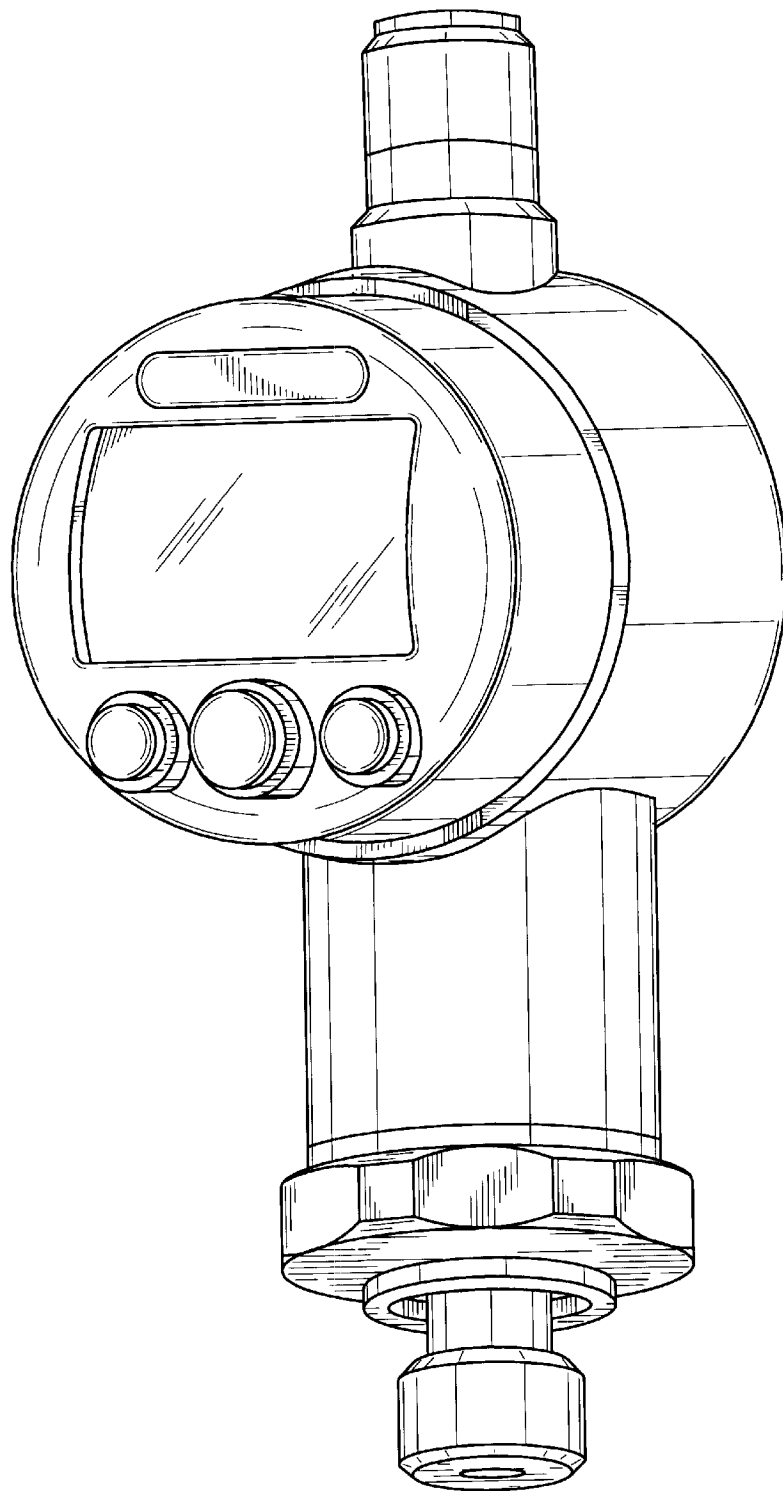


FIG.1

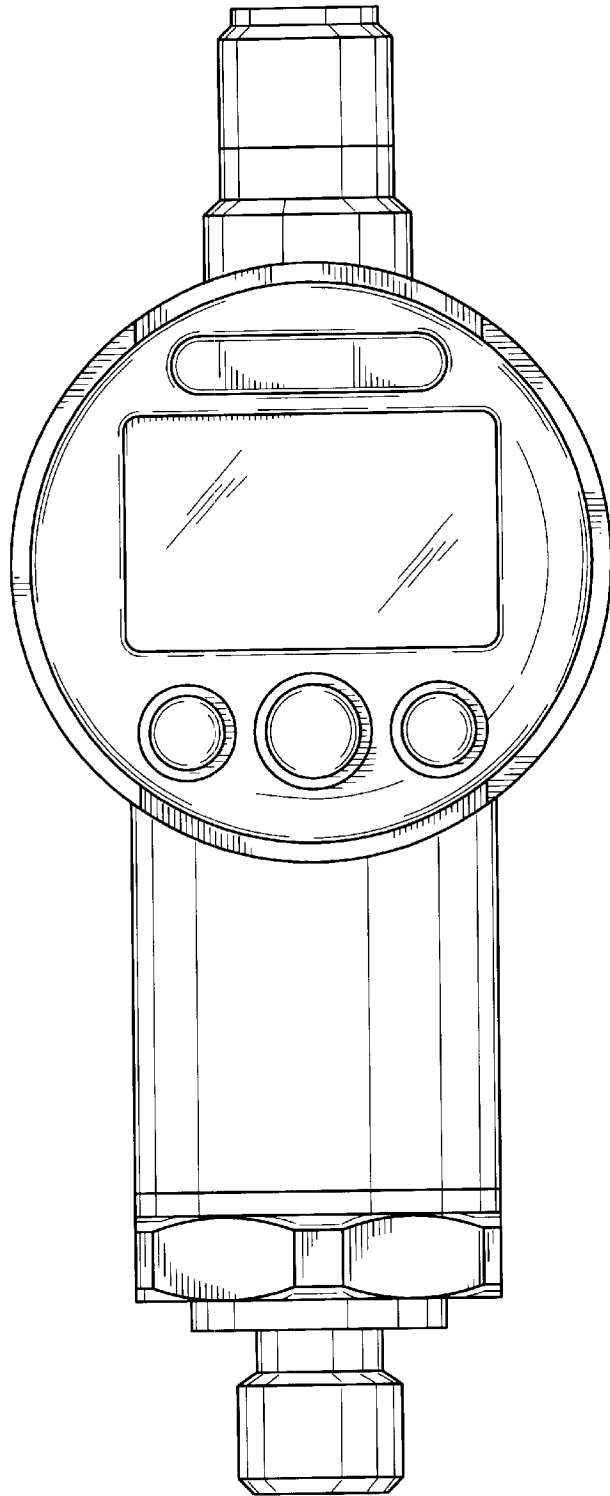


FIG.2

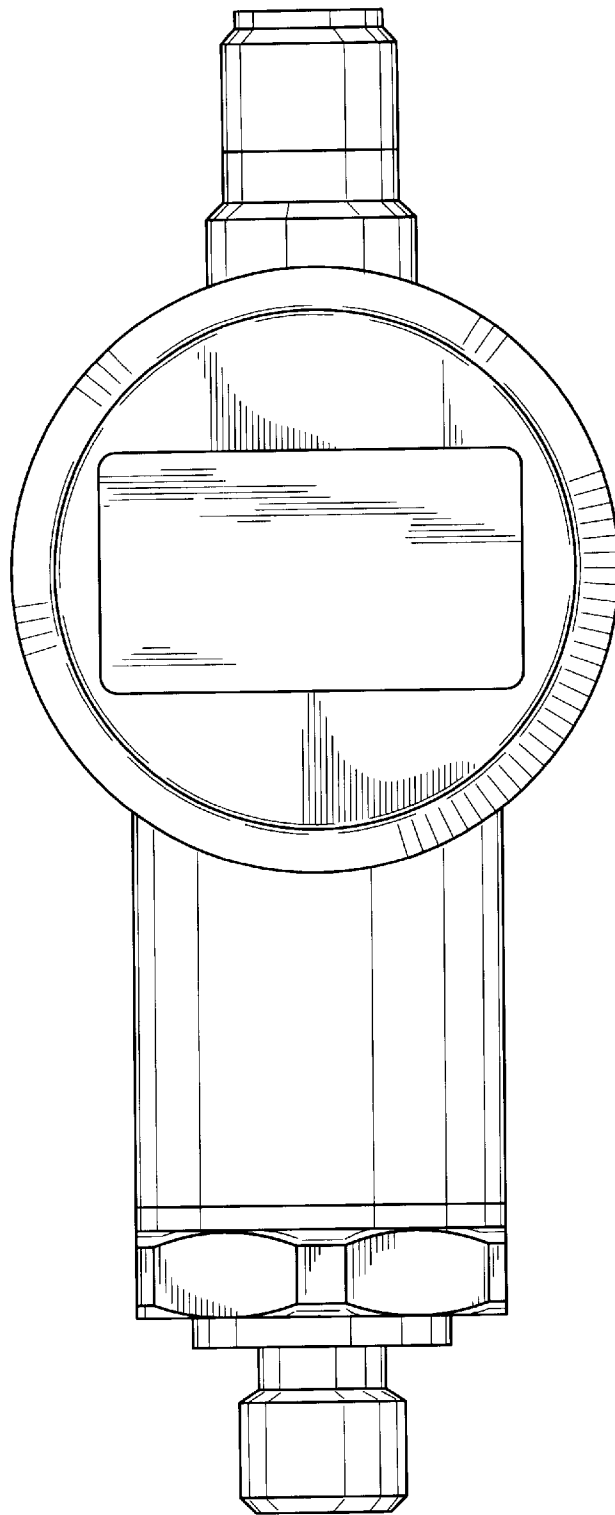


FIG.3

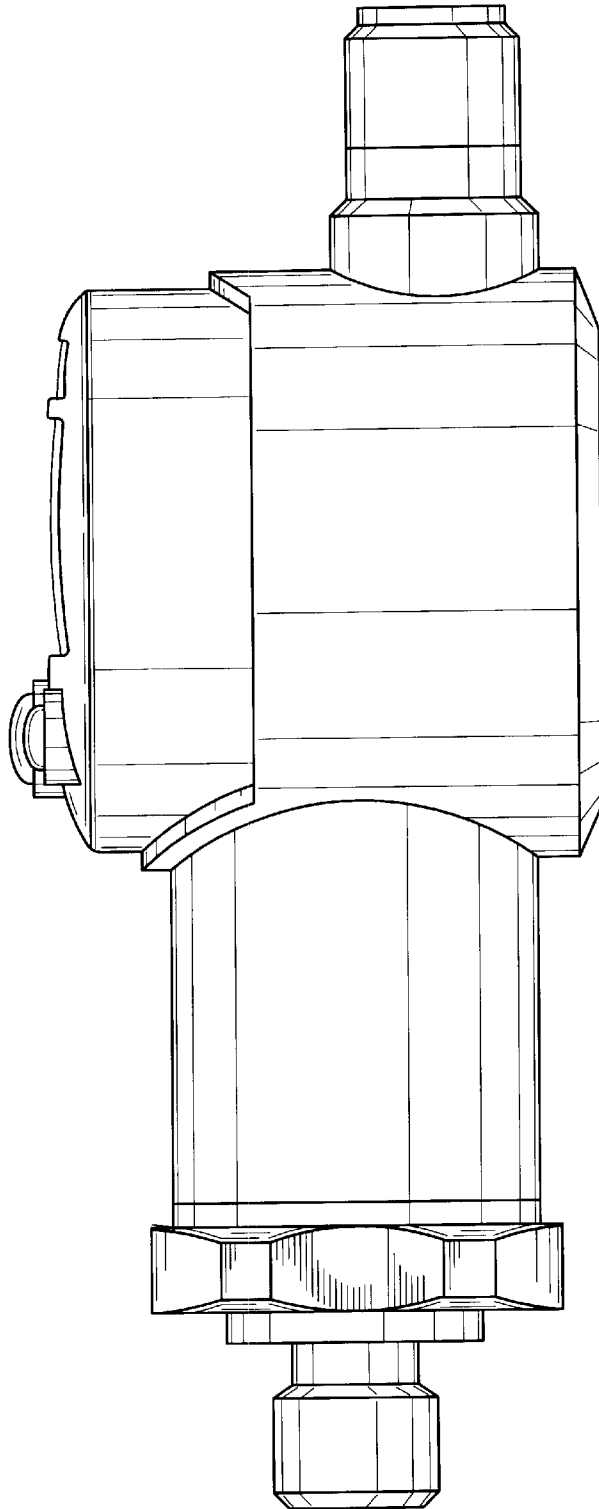


FIG. 4

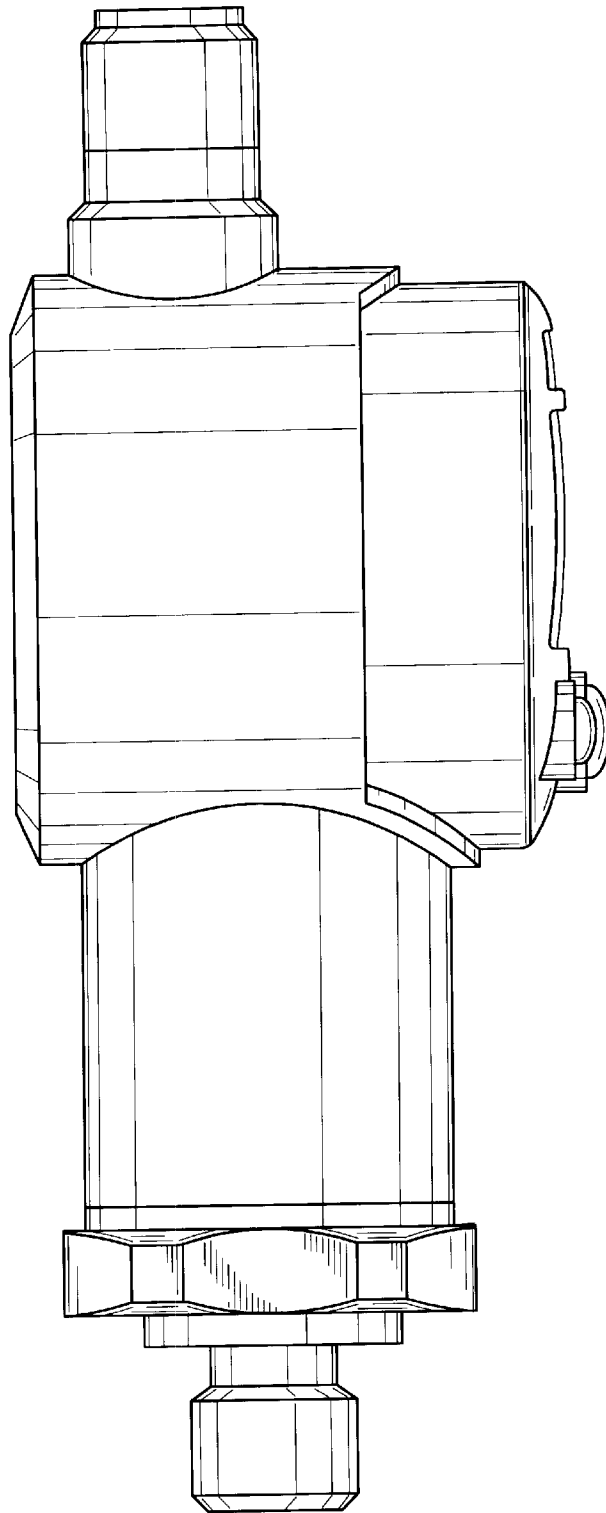


FIG.5