



US00D367414S

United States Patent [19] Chi

[11] **Patent Number:** **Des. 367,414**

[45] **Date of Patent:** ****Feb. 27, 1996**

[54] **STAPLER**

[75] **Inventor:** **William H. N. Chi**, Taichung Hsien, Taiwan

[73] **Assignee:** **Stanley-Bostitch, Inc.**, East Greenwich, R.I.; a part interest

[**] **Term:** **14 Years**

[21] **Appl. No.:** **34,971**

[22] **Filed:** **Feb. 16, 1995**

[52] **U.S. Cl.** **D8/50**

[58] **Field of Search** **D8/49, 50; D19/72; 227/127, 128, 131, 132, 134**

[56] **References Cited**

U.S. PATENT DOCUMENTS

D. 264,925	6/1982	Bass et al.	D8/50
D. 319,563	9/1991	Rosenblad	D8/50
D. 329,790	9/1992	Chi	D8/50
D. 361,486	8/1995	Yang	D8/50
3,144,653	8/1964	Kohen	227/128

FOREIGN PATENT DOCUMENTS

2229129 9/1990 United Kingdom 227/134

OTHER PUBLICATIONS

U.S. Gov't Office & Furnishing Supply Catalog, p. 309 (Item No. 113).

Primary Examiner—Ted Shooman

Assistant Examiner—Adir Aronovich

Attorney, Agent, or Firm—Peterson, Wicks, Nemer & Kamrath

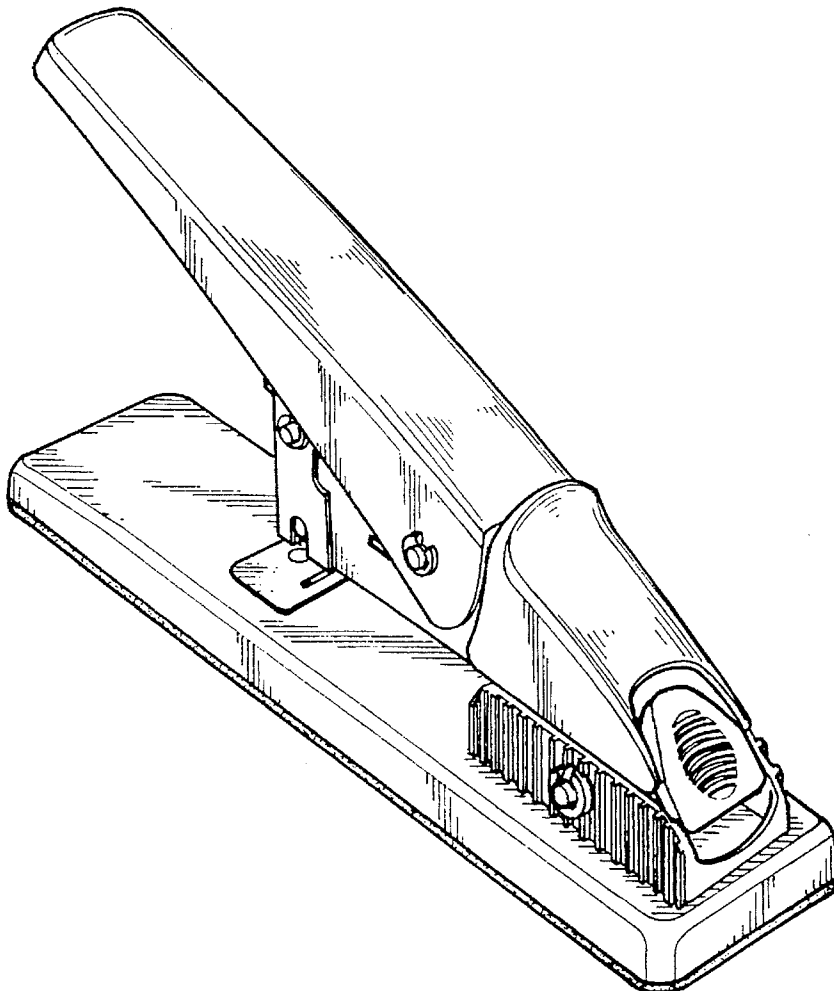
[57] CLAIM

The ornamental design for a stapler, as shown and described.

DESCRIPTION

FIG. 1 is a front-left-top perspective view of a stapler; FIG. 2 is a front elevational view thereof; FIG. 3 is a rear elevational view thereof; FIG. 4 is a left elevational view thereof; FIG. 5 is a right elevational view thereof; FIG. 6 is a top plan view thereof; and, FIG. 7 is a bottom plan view thereof.

1 Claim, 4 Drawing Sheets



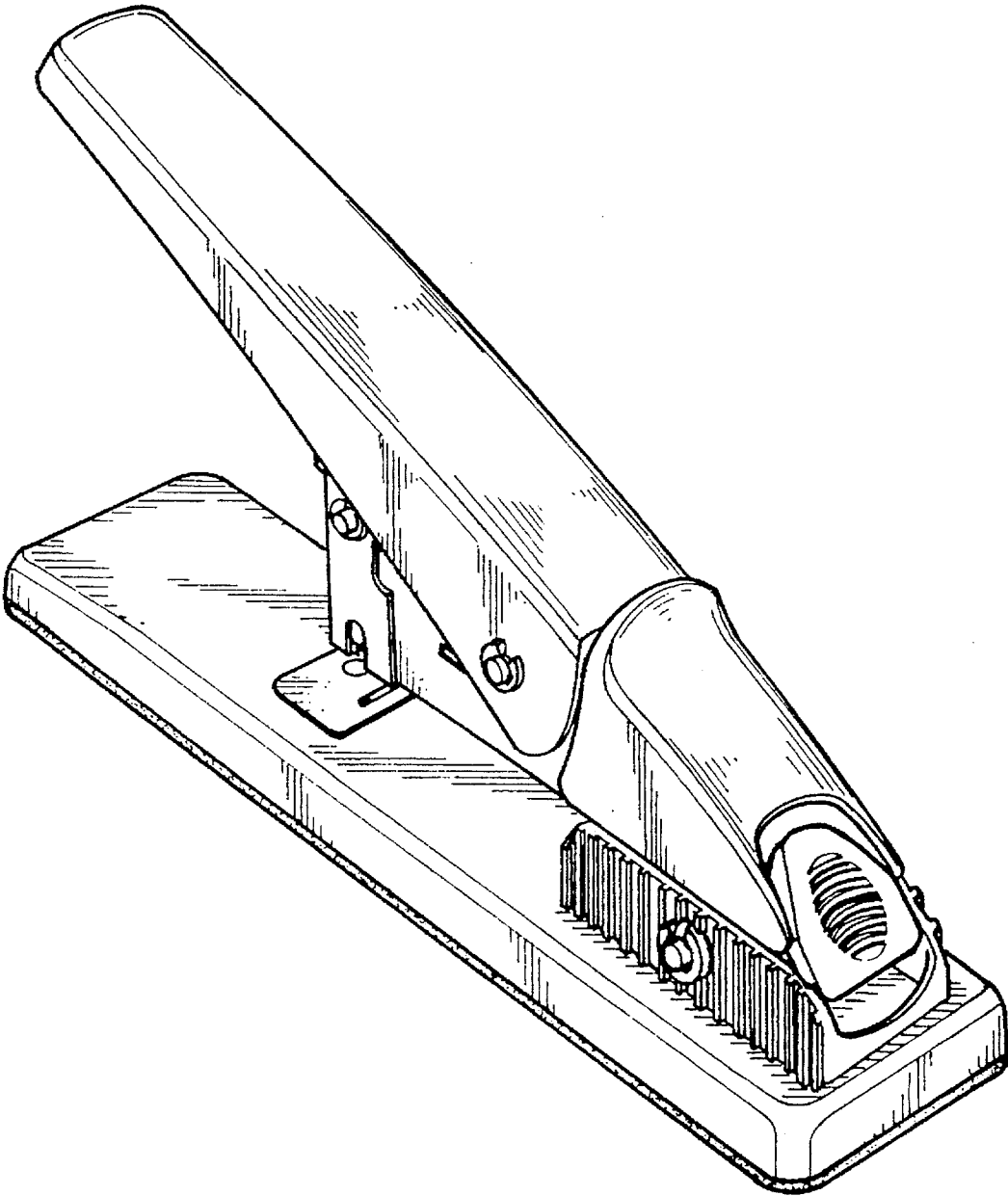


FIG. 1

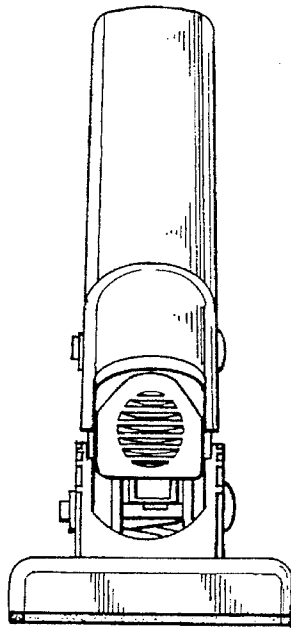


FIG. 2

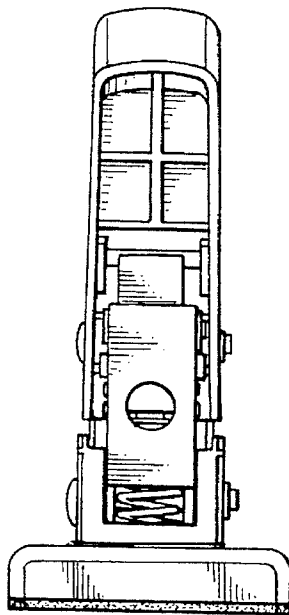


FIG. 3

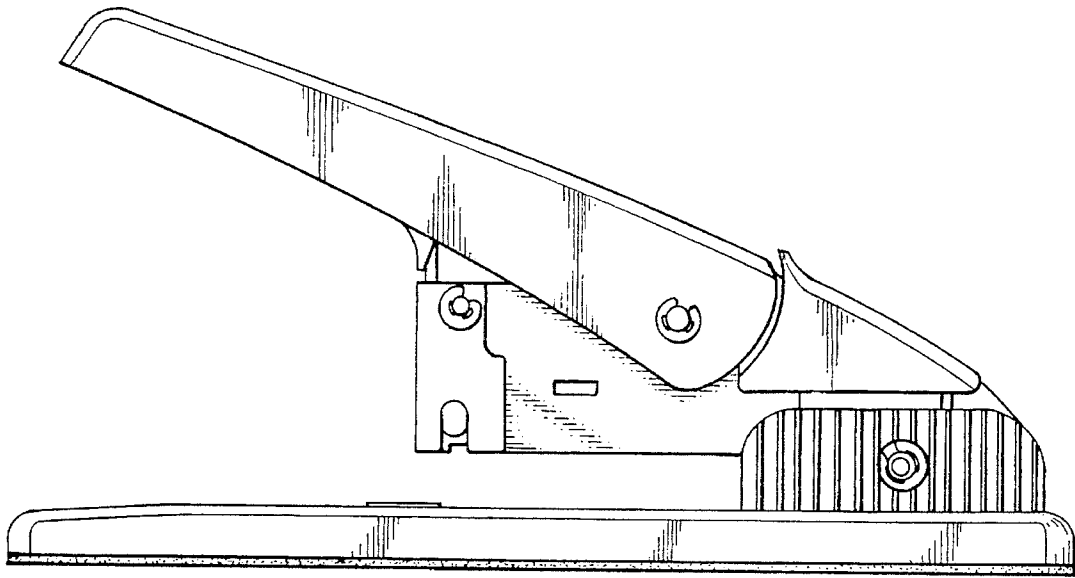


FIG. 4

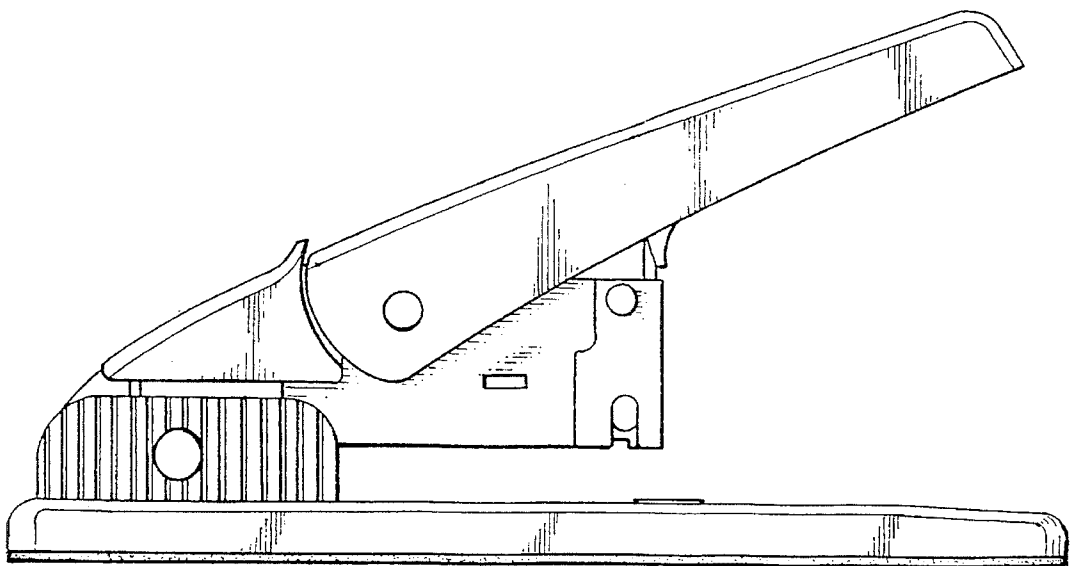


FIG. 5

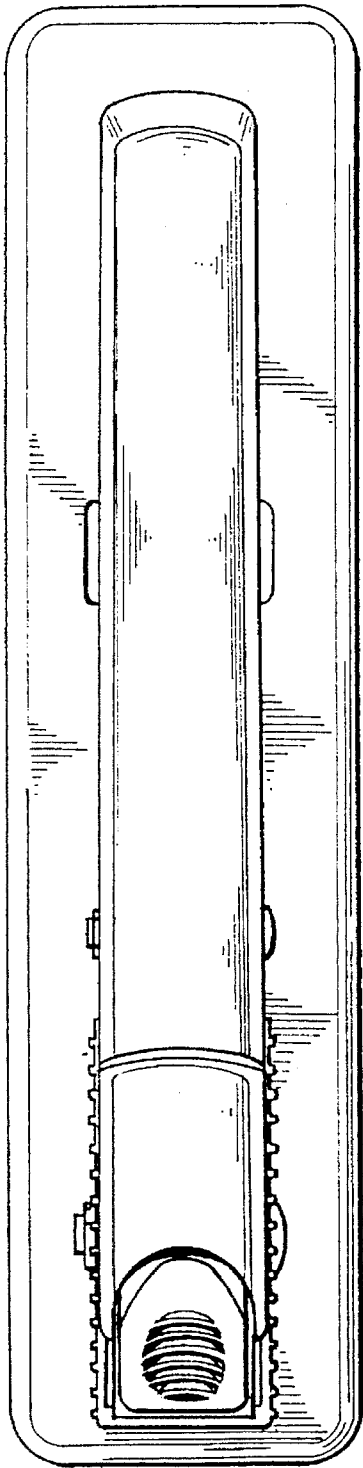


FIG. 6

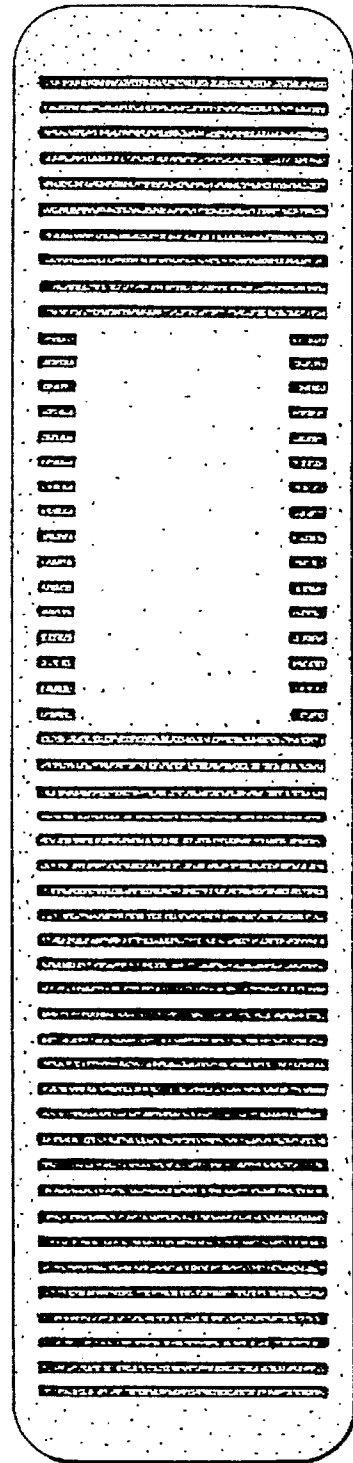


FIG. 7