



US00D508182S

(12) **United States Design Patent**
Colonello

(10) **Patent No.:** **US D508,182 S**

(45) **Date of Patent:** **** Aug. 9, 2005**

(54) **SEAT CUSHION**

(75) **Inventor:** **Dennis J. Colonello**, Granada Hills, CA (US)

(73) **Assignee:** **Sylmark Holdings Limited**, Dublin (IE)

(**) **Term:** **14 Years**

(21) **Appl. No.:** **29/213,483**

(22) **Filed:** **Sep. 16, 2004**

(51) **LOC (8) Cl.** **06-09**

(52) **U.S. Cl.** **D6/601; D6/604**

(58) **Field of Search** D6/601, 604, 595, D6/596, 605, 611, 582; 5/653, 654, 657, 655.3, 655.5, 655.9, 907, 656, 417-420, 632-645, 648, 710, 722; 297/284.6, 452.41, 452.26, 452.21, 452.48, DIG. 1, DIG. 3, 219.1

D399,695 S	*	10/1998	Loud	D6/601
5,839,140 A	*	11/1998	Wilkerson	5/654
D404,602 S	*	1/1999	Loud	D6/601
5,868,463 A		2/1999	MacKenzie et al.		
6,074,006 A		6/2000	Milosic et al.		
6,079,782 A		6/2000	Berg et al.		
6,082,743 A		7/2000	Black		
6,223,368 B1		5/2001	Anslin		
6,415,467 B1		7/2002	Bretvin		
6,425,153 B1		7/2002	Reswick		
6,457,773 B1		10/2002	Gates		
6,502,263 B1		1/2003	Rowley et al.		
6,523,202 B2		2/2003	Loomis		
6,592,184 B1		7/2003	Segal et al.		
6,595,586 B2		7/2003	Brightbill et al.		
6,598,250 B1		7/2003	Pekar		
6,598,251 B2		7/2003	Habboub et al.		
6,643,874 B1		11/2003	Geglein		
6,668,405 B1		12/2003	Kohlman		
6,687,933 B2		2/2004	Habboub et al.		
6,715,171 B2		4/2004	Grabe		
6,782,573 B2		8/2004	Odderson		

* cited by examiner

(56) **References Cited**

U.S. PATENT DOCUMENTS

RE17,057 E	*	7/1928	Voit	5/655.3
3,112,956 A	*	12/1963	Schick et al.	297/219.1
4,115,885 A	*	9/1978	Davis	5/654
4,275,869 A		6/1981	Clements		
4,592,589 A		6/1986	Hellwig		
4,726,624 A		2/1988	Jay		
4,914,766 A		4/1990	Moore		
4,965,899 A		10/1990	Sekido et al.		
D316,001 S	*	4/1991	Guard	D6/601
5,297,848 A		3/1994	Grinnell		
5,433,505 A		7/1995	Coyne et al.		
5,505,518 A		4/1996	Pike		
5,506,012 A		4/1996	Wright et al.		
5,548,948 A	*	8/1996	Smith et al.	297/DIG. 3
5,613,256 A	*	3/1997	Hanson	5/653
D399,674 S	*	10/1998	Loud	D6/601

Primary Examiner—Lucy Lieberman

(74) *Attorney, Agent, or Firm*—Kathy Mojibi Kavcioglu

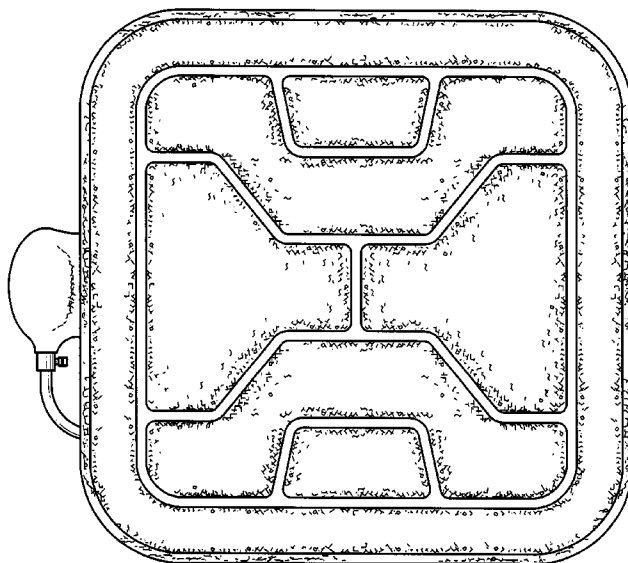
(57) **CLAIM**

The ornamental design for a seat cushion, as shown and described.

DESCRIPTION

FIG. 1 is a top plan view of a seat cushion showing my new design;
FIG. 2 is a bottom plan view thereof;
FIG. 3 is a rear elevational view thereof;
FIG. 4 is a front elevational view thereof;
FIG. 5 is a left side elevational view thereof; and,
FIG. 6 is a right side elevation thereof.

1 Claim, 3 Drawing Sheets



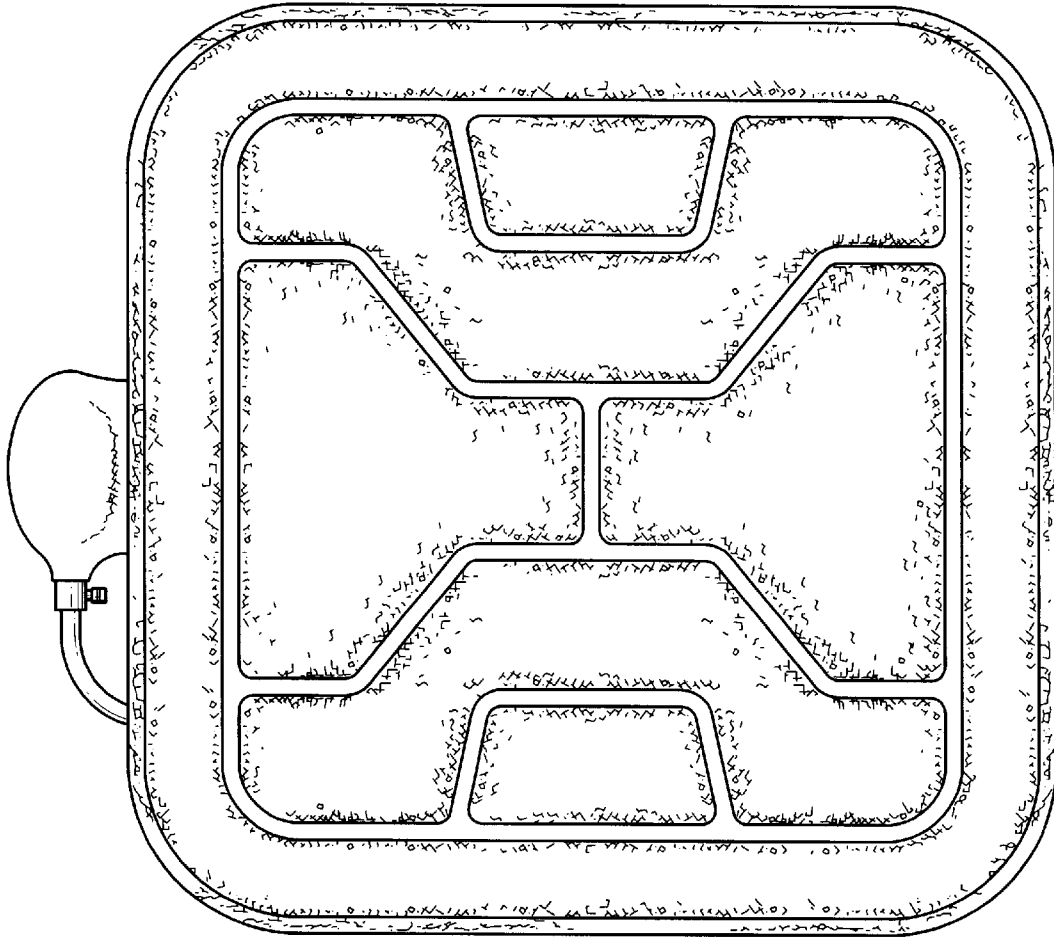


FIG. 1

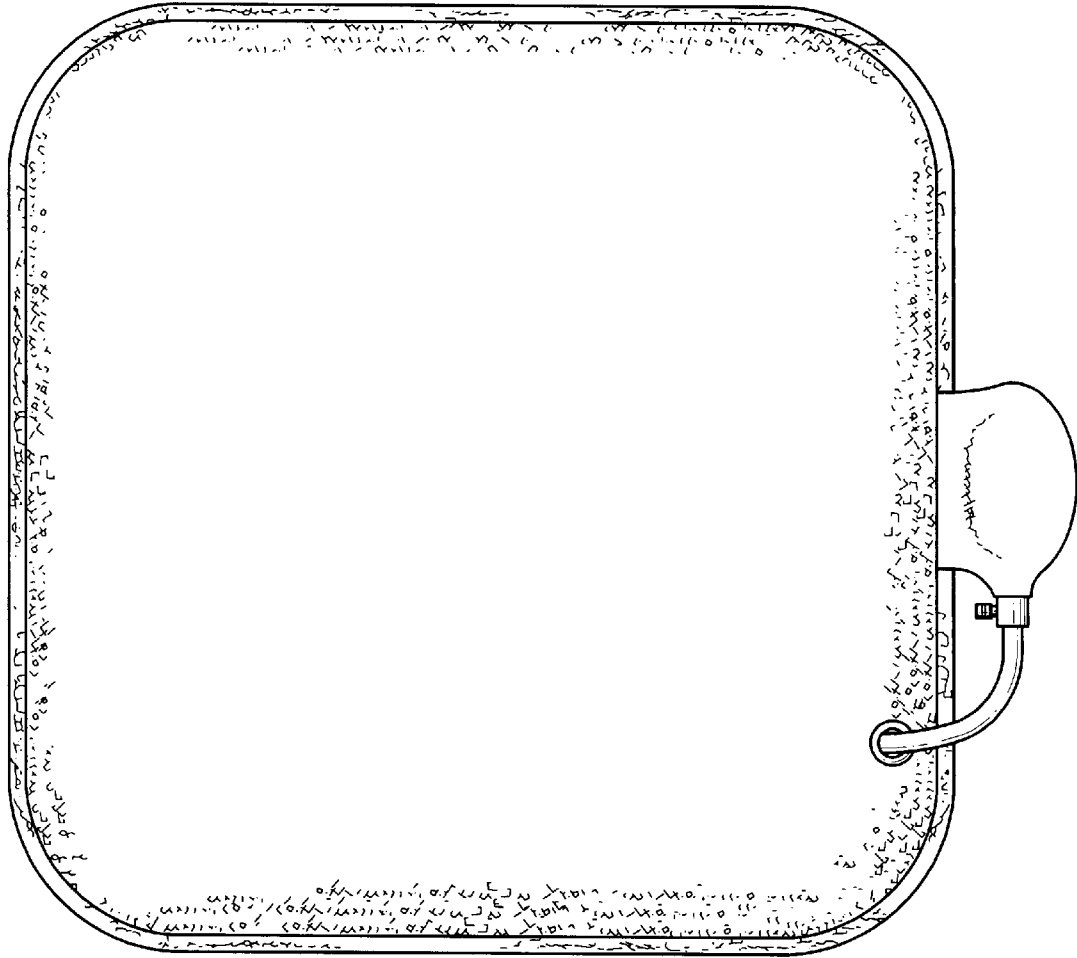


FIG. 2

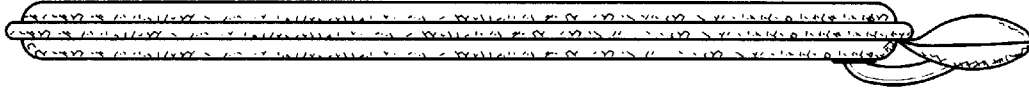


FIG. 3

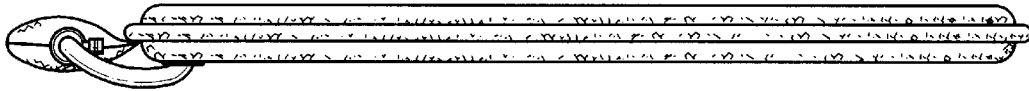


FIG. 4

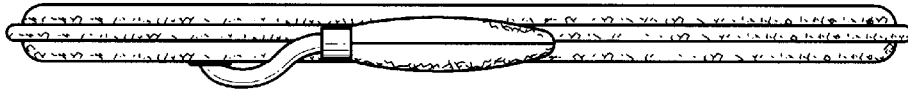


FIG. 5

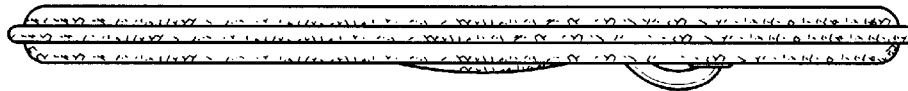


FIG. 6