



US0D1052534S

(12) **United States Design Patent**
Zhou

(10) **Patent No.:** **US D1,052,534 S**

(45) **Date of Patent:** **** Nov. 26, 2024**

(54) **CAR CHARGER**

(71) Applicant: **Dongguan Pengteng Hardware Electronic Co., Ltd., Dongguan (CN)**

(72) Inventor: **Guoqing Zhou, Dongguan (CN)**

(73) Assignee: **Dongguan Pengteng Hardware Electronic Co., Ltd., Dongguan (CN)**

(**) Term: **15 Years**

(21) Appl. No.: **29/917,124**

(22) Filed: **Nov. 17, 2023**

(30) **Foreign Application Priority Data**

Mar. 24, 2023 (CN) 202330149281.7

(51) **LOC (14) Cl.** **13-03**

(52) **U.S. Cl.**
USPC **D13/144**

(58) **Field of Classification Search**
USPC D13/144, 107
CPC H01R 24/58; H01R 13/68
See application file for complete search history.

(56) **References Cited**

U.S. PATENT DOCUMENTS

D969,088 S * 11/2022 Yuan D13/144
D970,451 S 11/2022 Liang
D1,020,651 S * 4/2024 Zheng D13/144

D1,021,806 S * 4/2024 Zhong D13/144
D1,025,927 S * 5/2024 Feng D13/144
D1,027,867 S * 5/2024 Li D13/144
D1,029,771 S * 6/2024 Li D13/144
D1,038,017 S * 8/2024 Huang D13/107

OTHER PUBLICATIONS

Amazon.com. Lekvkm Retractable Car Charger 4 in 1. <https://www.amazon.com/LEKVKM-Charger-Charging-Cigarette-iPhone/dp/B0CC26WLLG.com>. (Year: Jul. 2023) date accessed: Sep. 2024. (Year: 2023).*

* cited by examiner

Primary Examiner — Jennifer O King

(74) *Attorney, Agent, or Firm* — Nitin Kaushik

(57) **CLAIM**

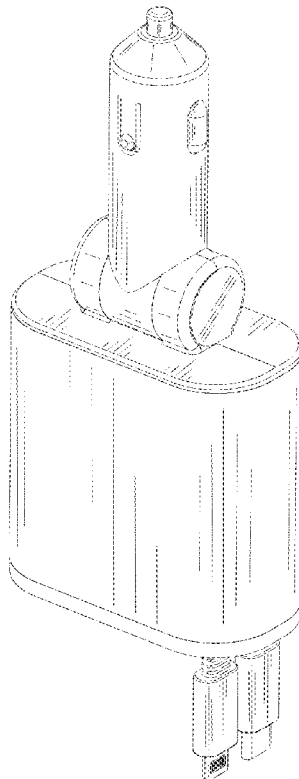
The ornamental design for a car charger, as shown and described.

DESCRIPTION

FIG. 1 is a front top and right side perspective view of a car charger, showing my new design;
FIG. 2 is a front view thereof;
FIG. 3 is a rear view thereof;
FIG. 4 is a left side view thereof;
FIG. 5 is a right side view thereof;
FIG. 6 is a top view thereof; and,
FIG. 7 is a bottom view.

The broken lines in the drawings illustrate the portions of the car charger, which form no part of the claimed design.

1 Claim, 7 Drawing Sheets



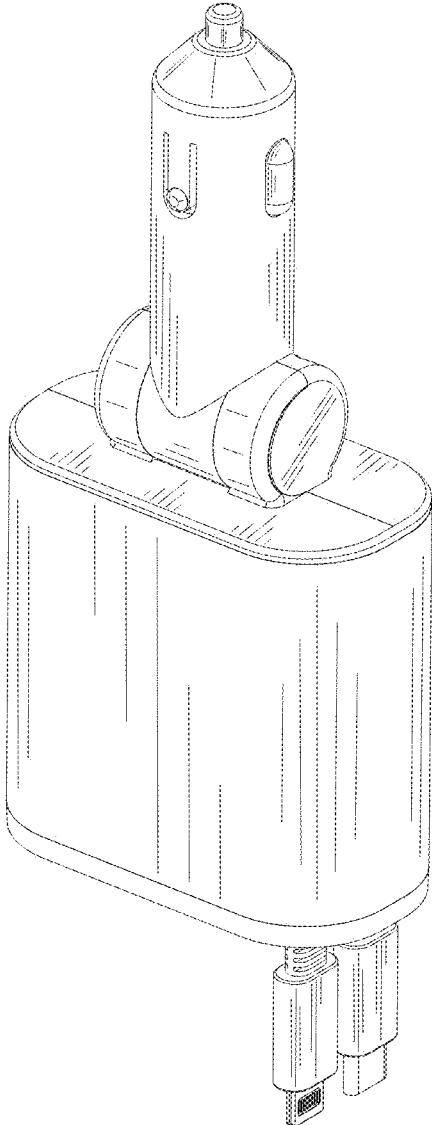


FIG. 1

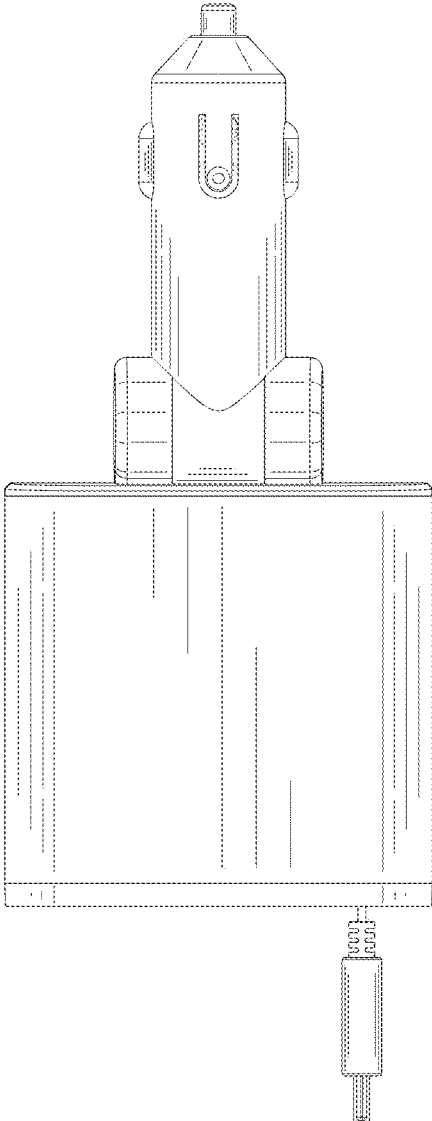


FIG. 2

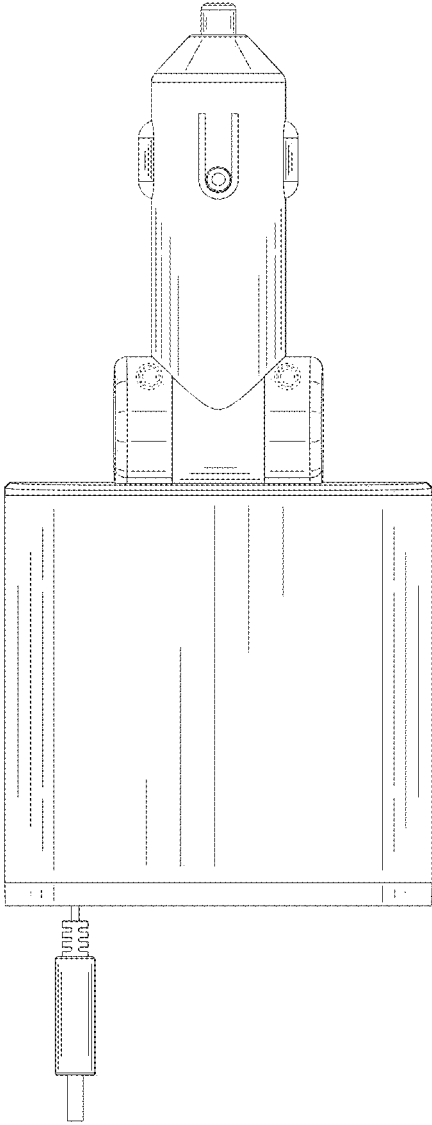


FIG. 3

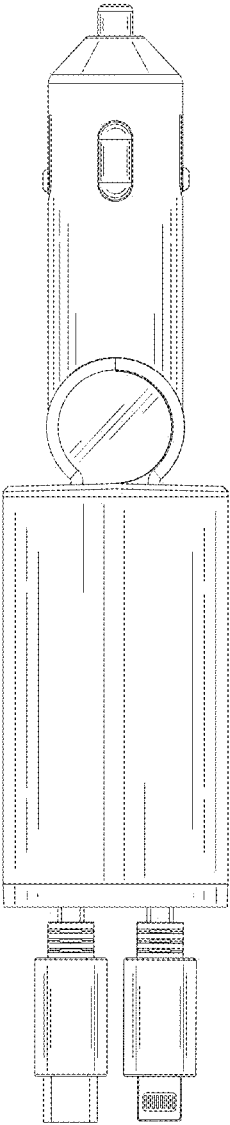


FIG. 4

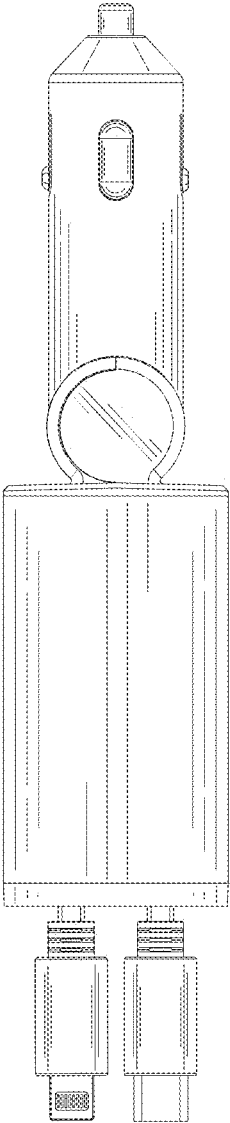


FIG. 5

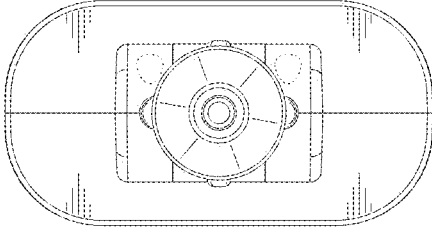


FIG. 6

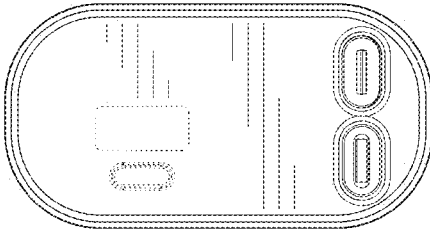


FIG. 7