



US00D479994S

(12) **United States Design Patent** (10) **Patent No.:** **US D479,994 S**  
**Cendejas** (45) **Date of Patent:** **\*\* Sep. 30, 2003**

(54) **CLIP-ON CONDIMENT CONTAINER**

(76) **Inventor:** **Miguel Cendejas**, P.O. Box 1178,  
Center, CO (US) 81125

(\*\*) **Term:** **14 Years**

(21) **Appl. No.:** **29/173,339**

(22) **Filed:** **Dec. 27, 2002**

(51) **LOC (7) Cl.** ..... **09-03**

(52) **U.S. Cl.** ..... **D9/432**

(58) **Field of Search** ..... D9/414, 415, 424,  
D9/432, 499; 206/216, 223, 348, 386, 390,  
400, 477, 495, 527, 541; 220/200, 212,  
212.5, 694, 696, 699, 737, 755, 758, 890;  
222/465.1, 498

(56) **References Cited**

**U.S. PATENT DOCUMENTS**

D306,975 S	4/1990	Brondyke et al.	
D309,862 S	* 8/1990	Rose	..... D9/432
5,341,969 A	* 8/1994	Accardo et al.	..... 222/465.1
5,516,008 A	* 5/1996	Rabenau et al.	..... 222/153.05
5,720,429 A	2/1998	Cordle	

5,875,957 A	3/1999	Yocum	
6,076,700 A	* 6/2000	Manges	..... 220/751
D440,874 S	* 4/2001	Shurtleff et al.	..... D9/425
D454,785 S	* 3/2002	Nance	..... D9/424
6,516,951 B2	* 2/2003	Sears et al.	..... 206/541

\* cited by examiner

*Primary Examiner*—Ted Shooman

*Assistant Examiner*—Daniel Bui

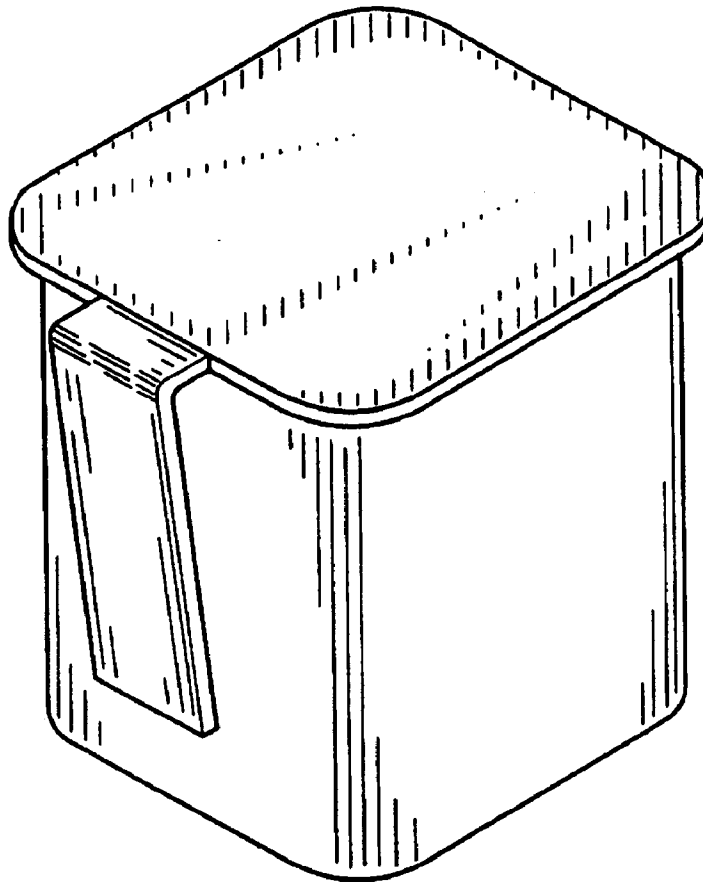
(57) **CLAIM**

The ornamental design for clip-on condiment container, as shown and described.

**DESCRIPTION**

FIG. 1 is an enlarged perspective view of clip-on condiment container showing our new design;  
FIG. 2 is a right side elevation view thereof;  
FIG. 3 is a left side elevational view thereof;  
FIG. 4 is a rear elevational view thereof;  
FIG. 5 is a front elevational view thereof;  
FIG. 6 is a top plan view; and,  
FIG. 7 is a bottom plan view thereof.

**1 Claim, 3 Drawing Sheets**



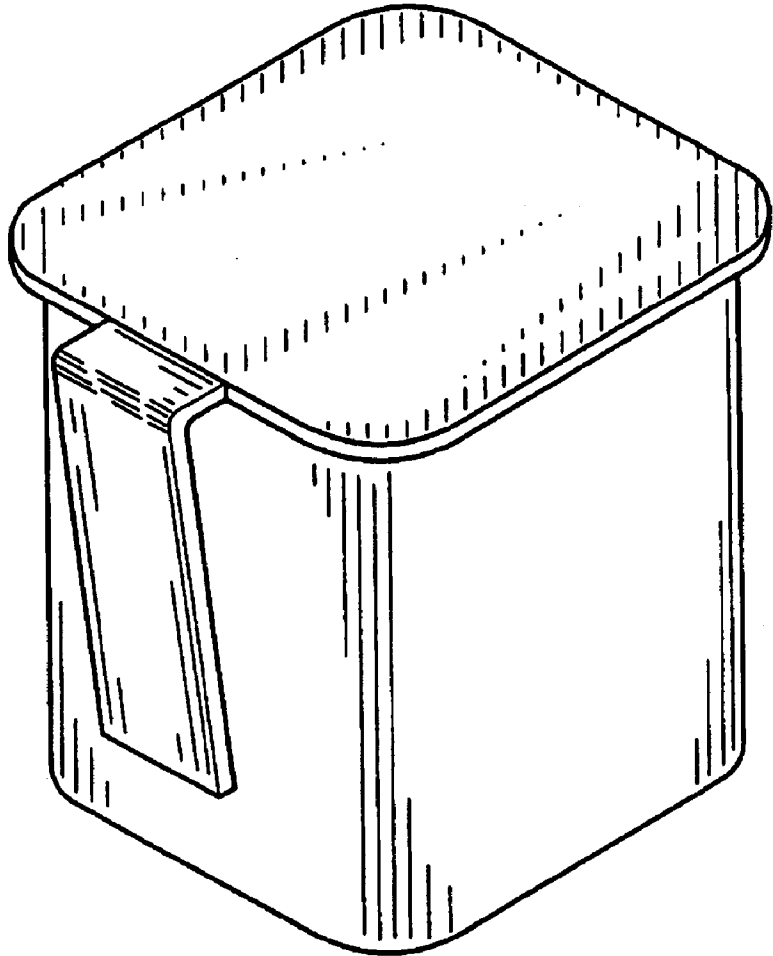


Fig. 1

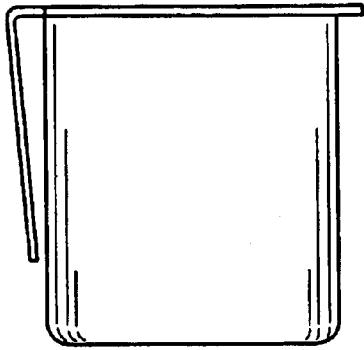


Fig. 2

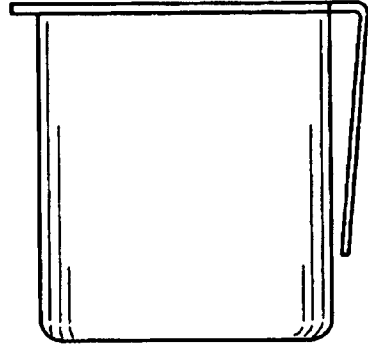


Fig. 3

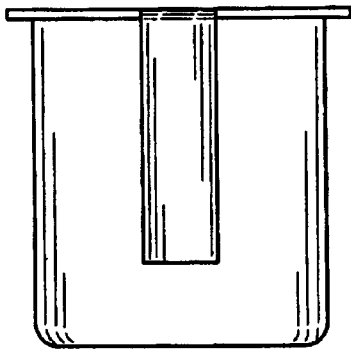


Fig. 4

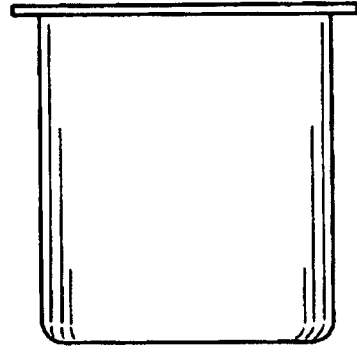


Fig. 5

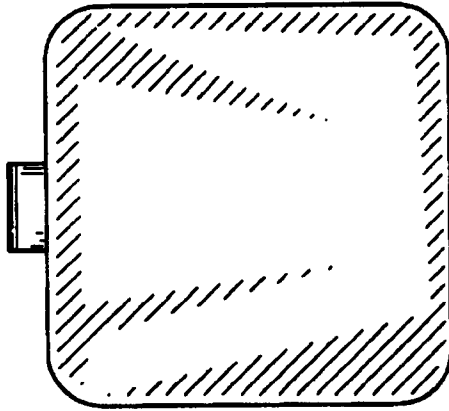


Fig. 6

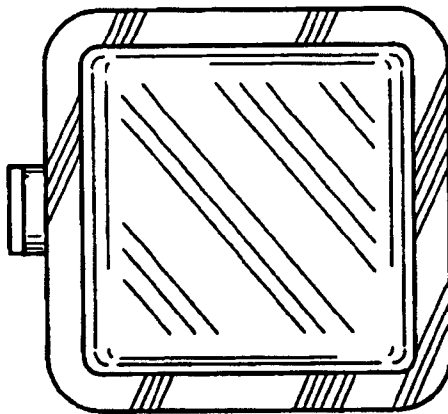


Fig. 7