

(19) **DANMARK**

(10) **DK/EP 2067066 T3**



Patent- og  
Varemærkestyrelsen

(12) **Oversættelse af  
europæisk patentskrift**

- 
- (51) Int.Cl.: **G 02 B 27/26 (2006.01)** **H 04 N 13/00 (2006.01)**
- (45) Oversættelsen bekendtgjort den: **2015-01-19**
- (80) Dato for Den Europæiske Patentmyndigheds bekendtgørelse om meddelelse af patentet: **2014-11-05**
- (86) Europæisk ansøgning nr.: **07843526.0**
- (86) Europæisk indleveringsdag: **2007-09-28**
- (87) Den europæiske ansøgnings publiceringsdag: **2009-06-10**
- (86) International ansøgning nr.: **US2007079958**
- (87) Internationalt publikationsnr.: **WO2008042798**
- (30) Prioritet: **2006-09-29 US 827657 P** **2007-04-10 US 911043 P**  
**2007-07-19 US 950652 P**
- (84) Designerede stater: **AT BE BG CH CY CZ DE DK EE ES FI FR GB GR HU IE IS IT LI LT LU LV MC MT NL PL PT RO SE SI SK TR**
- (73) Patenthaver: **RealD Inc., 100 N. Crescent Drive, Suite 120, Beverly Hills, CA 90210, USA**
- (72) Opfinder: **SCHUCK, Miller H., 5335 Sterling Avenue, Suite B, Boulder, CO 80301, USA**  
**ROBINSON, Michael G., 5335 Sterling Avenue, Suite B, Boulder, CO 80301, USA**  
**SHARP, Gary D., 5335 Sterling Avenue, Suite B, Boulder, CO 80301, USA**
- (74) Fuldmægtig i Danmark: **Hegner & Partners A/S, Banemarksvej 50, 2605 Brøndby, Danmark**
- (54) Benævnelse: **POLARISATIONSSOMFORMNINGSSYSTEMER TIL STEREOSKOPISK PROJEKTION**
- (56) Fremdragne publikationer:  
**EP-A2- 0 349 692**  
**WO-A1-2005/069058**  
**US-A- 4 792 850**  
**US-A- 5 278 680**  
**US-A1- 2004 263 806**  
**US-A1- 2005 030 749**  
**US-B1- 6 206 532**  
**US-B2- 6 375 327**  
**US-B2- 6 909 473**



## Description

### Cross-Reference to Related Applications

[0001] This provisional patent application relates and claims priority to: (a) provisional patent application number 60/827,657, entitled "Polarization Conversion System for Cinematic Projection," filed 9/29/2006; (b) provisional patent application number 60/911,043, entitled "Polarization conversion system for 3-D projection," filed 4/10/2007; and (c) provisional patent application number 60/950,652, entitled "Polarization conversion system for 3-D projection," filed 7/19/2007.

### Technical Field

[0002] This disclosure relates to a projection system for projecting images for a three-dimensional viewing experience, and more in particular to a polarization conversion system utilizing polarized light for encoding stereoscopic images.

### Background

[0003] Three-dimensional (3D) imagery can be synthesized using polarization control following the projector and polarization controlling eyewear (*see, e.g.*, U.S. Pat. No. 4,792,850 to Lipton).

[0004] A conventional implementation of polarization control at the projector is shown in **Figure 1**. In this implementation, nearly parallel rays emerge from the output of the lens 10, appearing to originate from a pupil 12 inside of the lens 10, and converge to form spots on a screen 14. Ray bundles A, B, and C in Figure 1 are bundles forming spots at the bottom, center, and top of a screen 14, respectively. The light 20 emerging from the projection lens is randomly polarized, depicted in figure 1 as both s- and p-polarized light [s-polarized light is conventionally represented as 'o'; p-polarized light is represented with a double arrow-ended line]. The light 20 passes through a linear

polarizer 22, resulting in a single polarization state after the polarizer 22. The orthogonal polarization state is absorbed (or reflected), and the light flux after the polarizer 22 is typically less than half of the original flux, thus resulting in a dimmer final image. The polarization switch 30 is synchronized with the image frame, and the polarization state 24 emerging from the polarization switch is alternated, producing images of alternately orthogonal polarization at the screen. Polarization-selective eyewear allows images of one polarization to pass to the left eye, and images of the orthogonal polarization to pass to the right eye. By presenting different images to each eye, 3D imagery can be synthesized.

**[0005]** This conventional system has been used in theatres. However, the conventional system requires that greater than 50% of the light is absorbed by the polarizer, and the resulting image is greater than 50% dimmer than that of a typical 2D theatre. The dimmer image can limit the size of theatre used for 3D applications and/or provides a less desirable viewing experience for the audience.

**[0006]** US 6,206,532 discloses a projector where unpolarized light from a light source is split by a beam splitter into two polarizations. The polarization of one of the beams is transformed, the beams are combined and then supplied to a spatial light modulator so as to form an image.

**[0007]** US 4,792,850 discloses placing a push-pull modulator in an image path so as to encode the image for stereoscopic viewing.

### **Summary**

**[0008]** According to a first aspect of the present invention there is provided a polarization conversion system as claimed in claim 1.

**[0009]** According to a second aspect of the present invention there is provided a method as claimed in claim 12.

**[0010]** Addressing the aforementioned problems, various embodiments of polarization conversion systems that receive light from a projector are described. The polarization conversion systems present a brighter screen image in cinematic applications utilizing polarized light for three-dimensional viewing.

**[0011]** In an embodiment, a polarization conversion system includes a polarization beam splitter (PBS), a polarization rotator, and a polarization switch. The PBS is operable to receive randomly-polarized light bundles from a projector lens, and direct first light bundles having a first state of polarization (SOP) along a first light path. The PBS is also operable to direct second light bundles having a second SOP along a second light path. The polarization rotator is located on the second light path, and is operable to translate the second SOP to the first SOP. The polarization switch is operable to receive first and second light bundles from the first and second light paths respectively, and to selectively translate the polarization states of the first and second light bundles to one of a first output SOP and a second output SOP. First light bundles are transmitted toward a projection screen. A reflecting element may be located in the second light path to direct second light bundles toward a projection screen such that the first and second light bundles substantially overlap to form a brighter screen image.

**[0012]** Other aspects and embodiments are described below in the detailed description.

### **Brief Description of the Drawings**

**[0013]**

Figure 1 is a schematic diagram of a conventional polarization switch for stereoscopic projection;

Figure 2 is a schematic diagram of a polarization conversion system (PCS) for cinematic projection in accordance with the present disclosure;

Figure 3 is a schematic diagram of another embodiment of a PCS for cinematic projection in accordance with the present disclosure;

Figure 4 is a schematic diagram of another embodiment of a PCS for cinematic projection, including a telephoto lens along an optical path and with the field of view centered on the optical axis, in accordance with the present disclosure;

Figure 5 is a schematic diagram of another embodiment of a PCS for cinematic projection, including a telephoto lens along an optical path and with the field of view not centered on the optical axis, in accordance with the present disclosure;

Figure 6 is a schematic diagram of another embodiment of a PCS for cinematic projection to provide a circularly-polarized output, including a telephoto lens along an optical path and with field of view centered on an optical axis, in accordance with the present disclosure;

Figure 7 is a schematic diagram of another embodiment of a PCS for cinematic projection to provide a linearly-polarized output, including a telephoto lens along an optical path and with field of view centered on an optical axis, in accordance with the present disclosure; and

Figure 8 is a schematic diagram of another embodiment of a PCS for cinematic projection in accordance with the present disclosure.

### **Description**

**[0014]** Various embodiments of polarization conversion systems that receive light from a projector are described. The polarization conversion systems present a brighter screen image in cinematic applications utilizing polarized light for three-dimensional viewing.

**[0015]** **Figure 2** is a schematic diagram showing a polarization conversion system (PCS) 100 for cinematic projection. An embodiment of the polarization conversion system 100 includes a polarizing beam splitter (PBS) 112, a polarization rotator 114 (*e.g.*, a half-wave plate), a reflecting element 116 (*e.g.*, a fold mirror), and a polarization

switch 120, arranged as shown. The polarization conversion system 100 may receive images from a conventional projector with a projection lens 122.

**[0016]** In operation, ray bundles A, B, and C emerge randomly polarized from the lens 122 and are projected toward a screen 130 to form an image. In this embodiment, a PBS 112 is inserted in place of the polarizer 22 shown in Figure 1. The PBS 112 transmits P-polarized light 124, and reflects S-polarized light 126. The P-polarized light 124 passes through the polarization switch (bundles A, B, and C) and is rotated by the polarization switch in alternating frames, same as bundles A, B, and C in Figure 1.

**[0017]** The S-polarized light 126 reflected by the PBS 112 passes through a polarization rotator 114 (*e.g.*, a half-wave plate, preferably achromatic in some embodiments) and is rotated to p-polarized light 128. The new p-polarized light 128 passes to a fold mirror 116. The fold mirror 116 reflects the new p-polarized light 128 and passes it to polarization switch 120. The polarization switch 120, acting on p-polarized ray bundles A', B', and C', rotates the polarization of the ray bundles in alternating frames, in synchronization with the rotation of bundles A, B, and C. The position of bundles A', B', and C' at the screen may be adjusted (*e.g.*, by adjusting the tilt of the fold mirror 116) to closely or exactly coincide with the positions of bundles A, B, and C at the screen. Since nearly all of the randomly polarized light 106 from the projection lens 122 is imaged at the screen 130 with a single polarization state, the resulting image of the system in Figure 2 is approximately two times brighter than the image at the screen for the system in Figure 1.

**[0018]** In this exemplary embodiment, the PBS 112 in Figure 2 is depicted as a plate. However, various types of PBSs may be used. For example, the PBS plate may be constructed using a wire grid layer on glass (*e.g.*, Proflux polarizer from Moxtek in Orem, UT), polarization recycling film (*e.g.*, Double Brightness Enhancing Film from 3M in St. Paul, MN), polarization recycling film on glass (for flatness), or a multi-dielectric layer on glass. The PBS 112 in Figure 2 could alternatively be implemented as a glass cube (with wire grid, polarization recycling film, or dielectric layers along the diagonal) to

reduce astigmatism in the final image associated with light passing through a tilted plate. Alternatively, the tilted plate PBS 112 in Figure 2 may, in various embodiments, be implemented with spherical, aspheric, cylindrical or toroidal surfaces to reduce astigmatism in the final image at the screen 130. Decentered spherical, aspheric, cylindrical or toroidal surfaces on the plate, and/or additional de-centered spherical, aspheric, cylindrical or toroidal elements in the optical path after the plate can be implemented to reduce astigmatism in the final image. See, e.g., "Simple method of correcting the aberrations of a beamsplitter in converging light," V. Doherty and D. Shafer, Proc. SPIE, Vol. 0237, pp. 195-200, 1980. It should also be noted that a second flat plate may be inserted into the system after the tilted PBS plate 112 and its tilt adjusted to reduce or correct astigmatism in the final image.

**[0019]** In some embodiments, the polarization rotator 114 in Figure 2 may be an achromatic half-wave plate. The half-wave plate may be implemented with polymer films (e.g., Achromatic Retardation Plate from ColorLink, Inc., Boulder, CO), quartz plates, or a static liquid crystal device optionally patterned to account for geometric polarization alteration. The half-wave plate 114 may be positioned as shown in Figure 2, or in other embodiments, it may be positioned between the fold mirror 116 and polarization switch 120, intersecting ray bundles A', B', and C'. This implementation may be desirable, as bundles A', B', and C' reflect from the fold mirror 116 in s-polarization state and mirrors often have a higher reflection for s-polarized light. However, with such an implementation, the half-wave plate 114 should be located such that bundles A' and C do not overlap at the plate. Although in most described embodiments herein, the polarization rotator 114 is located in the second light path, it may alternatively be placed in the first light path instead, and the polarization conversion system will operate in a similar manner in accordance with the principles of the present disclosure.

**[0020]** In some embodiments, the fold mirror 116 may be replaced with a PBS element (e.g., wire grid plate). In this case, a purer polarization may be maintained after the PBS element.

**[0021]** Polarization switch 120 may be a switch as taught by U.S. Pat. No. 4,792,850; a switch as taught by any of the switches of commonly-assigned U.S. Pat. App. No. 11/424,087 entitled "Achromatic Polarization Switches", filed June 14, 2006; or any other polarization switch known in the art that selectively transforms an incoming state of polarization. In some embodiments, the polarization switch 120 can be split (*i.e.*, to increase yield of the device). If the polarization switch 120 is split, it is desirable that the two devices are located such that there is no overlap of bundles A' and C in Figure 2. Splitting the polarization switch 120 allows one portion to be relocated in the A', B', C' optical path between the half-wave plate 114 and fold mirror 116. Placing the polarization switch 120 here may call for the fold mirror 116 to have better polarization preserving properties (*e.g.*, a Silflex coating from Oerlikon in Golden, CO) as this may be the last element in the A', B', C' optical path prior to the screen.

**[0022]** In the polarization conversion system 100 of Figure 2, the optical path of ray bundle A' is longer than that of ray bundle A (similarly B'-B and C'-C) resulting in a magnification difference between the images produced by A', B', C' and A, B, C. This magnification difference may be unacceptable to an audience, especially for wide angle and short-throw projection systems. Some techniques for correcting this magnification difference may include (1) providing a curved surface on the fold mirror 116 with optical power that compensates for the magnification difference; this solution is achromatic, which is desirable; (2) adding a fresnel or diffractive surface with optical power to the fold mirror 116 to compensate for the magnification difference (which may or may not be achromatic); (3) adding a refractive element (lens) between the fold mirror 116 and polarization switch 120, or between the PBS 112 and fold mirror 116; a singlet lens is unlikely to be achromatic, but a doublet solution can be achromatic; (4) addition of a telephoto lens as illustrated in Figures 3 and 4; or (5) a combination of at least two of the above four techniques.

**[0023]** Although as described, p-polarized light is transmitted toward the polarization switch 120, while s-polarized light is directed toward half-wave plate 114, it should be

apparent to a person of ordinary skill in the art that an alternative configuration may be employed in which s-polarized light is transmitted toward the polarization switch 120, while p-polarized light is directed toward the half-wave plate 114.

**[0024]** **Figure 3** is a schematic diagram showing another embodiment of a PCS for cinematic projection 200. The elements of PCS 200 may be of similar type and function for those shown with respect to PCS 100 of Figure 2. For instance, elements 2xx are similar to elements 1xx, where xx are the last two digits of the respective elements. In this embodiment, ray bundles A, B, and C may be directed through an additional set of fold mirrors 232, 234 operable to equalize the optical path lengths of bundles A and A', B and B', C and C' as shown in Figure 3. [Note: bundles A' and C' are present, but not illustrated. They follow a similar path to the A', B', C' bundles shown in Figure 2]. Note that although the PBS and fold mirrors are shown here to be orientated at 45 degrees to the optical axis, the PBS 212 and fold mirrors 216, 232, 236 may have other orientations in accordance with the present teachings. Additionally, glass may be inserted into the optical path of A', B', and C' (e.g., by replacing the fold mirror 216 with a right angle prism and/or using a glass cube PBS in place of a plate PBS) to reduce or eliminate the optical path difference between the A, B, C and A', B', C' bundles, respectively.

**[0025]** With reference to Figures 2 and 3, the image from bundles A', B', and C' should substantially overlap the image from bundles A, B, and C for viewing comfort (although perfect overlap is not necessarily required). Some techniques of adjusting one image location relative to the other include (1) using thumb screws or a similar mechanical techniques to tilt the fold mirror, PBS plate, or PBS cube; (2) mechanically de-centering a lens or element with optical power (e.g. curved mirror); (3) utilizing a feedback system to automatically adjust image position via one of the aforementioned image adjustment techniques; or (4) a combination of at least two of the above three techniques.

**[0026]** Optical transmission and stray light control may be optimized on optically transmissive elements by providing an anti-reflection coat thereon for high transmission

and low reflection. Reflections from transmissive elements can cause stray light in the system which degrades contrast and/or produces disturbing artifacts in the final image. In some embodiments, additional absorptive polarizers may be placed after the half-wave plate 114 in the A', B', C' path and/or after the PBS 112 in either path to control polarization leakage and improve the final image contrast.

**[0027] Figure 4** is a schematic diagram showing another embodiment of a PCS for cinematic projection 300. The elements of PCS 300 may be of similar type and function for those shown with respect to PCS 100 of Figure 2. For instance, elements 3xx are similar to elements 1xx, where xx are the last two digits of the respective elements.

**[0028]** In this exemplary embodiment, a telephoto lens pair 340 may be implemented in the optical path where light transmits through the PBS 312. Here, telephoto lens pair 340 is located along an optical path and with the field of view centered on the optical axis. Typically, telephoto lens 340 allows control of magnification, distortion, and imaging properties with two elements such that the two images overlay relatively close, *i.e.*, within 1-4 pixels of each other, while maintaining spots sizes on the order of a fraction of a pixel and lateral color on the order of a pixel. Alternatively, a reverse telephoto lens (not shown) may be implemented in the optical path where light reflects from the PBS 312 (located between the polarization switch 320 and fold mirror 316, or after the fold mirror 316). If a telephoto or reverse telephoto lens is used for controlling magnification in one optical path, the radial distortion and keystone distortion of the final image can be tuned by laterally displacing the individual elements or pair of elements from the optical axis.

**[0029] Figure 5** is a schematic diagram showing another embodiment of a PCS for cinematic projection 400. The elements of PCS 400 may be of similar type and function for those shown with respect to PCS 100 of Figure 2. For instance, elements 4xx are similar to elements 1xx, where xx are the last two digits of the respective elements. In this exemplary embodiment, a telephoto lens pair 440 may be implemented in the optical path where light transmits through the PBS 412. Here, telephoto lens pair 440 is

located along an optical path and with the field of view decentralized from the optical axis. Just as described above, the radial distortion and keystone distortion of the final image can be tuned by laterally displacing the individual elements or pair of elements 440 from the optical axis.

**[0030] Figure 6** is a schematic diagram of another embodiment of a PCS for cinematic projection 500 that provides a circularly polarized output. PCS 500 includes a telephoto lens pair 540 along an optical path, with field of view centered on an optical axis. In this case, each polarization switch 520 is a circular polarization switch (or Z-screen), *e.g.*, as described in U.S. Pat. No. 4,792,850. The cleanup polarizers 542, 544 in each path are optional, depending on the level of contrast desired from the system. For example, including one or both cleanup polarizers may enhance the system contrast.

**[0031] Figure 7** is a schematic diagram of another embodiment of a PCS for cinematic projection 600 that provides a linearly polarized output. Here, each polarization switch 620 is an achromatic linear polarization switch, as described in U.S. Pat. App. No. 11/424,087 entitled "Achromatic Polarization Switches", filed June 14, 2006; also manufactured by ColorLink, Inc., of Boulder, Colorado. Similar to the example in Figure 6, cleanup polarizers 642, 644 in each path are optional, depending on the level of contrast desired from the system. For example, including one or both cleanup polarizers may enhance the system contrast. Additionally, the achromatic rotator 648 is optional, depending on the achromatic properties of the polarization switch 620.

**[0032] Figure 8** is a schematic diagram of another embodiment of a PCS for cinematic projection 700, showing an alternative configuration in which the polarizers 746, achromatic rotator 714, and polarization switches 720 are located after other optical components. The elements of PCS 700 may be of similar type and function for those shown with respect to PCS 100 of Figure 2. For instance, elements 7xx are similar to elements 1xx, where xx are the last two digits of the respective elements.

**[0033]** In operation, light exits projection lens 722 toward PBS 712. P-polarized light passes through PBS 712 toward telephoto lens pair 740, then toward polarization switch 720. An optional cleanup polarizer 746 may be located between telephoto lens pair 740 and polarization switch 720 to further enhance contrast. The s-polarized light reflected by PBS 712 is directed toward fold mirror 716, where it reflects toward an achromatic rotator 714 that transforms the s-polarized light into p-polarized light, then it passes through an optional cleanup polarizer 746. Next, the p-polarized light from achromatic rotator 714 passes through polarization switch 720. In this configuration, the s-polarized light reflected by the PBS 716 is efficiently reflected, with polarization maintained by the fold mirror 716. This relaxes any want for polarization preservation from the fold path and maximizes brightness. An achromatic 90° rotator 714 (probably retarder stack based) can be used to convert light from the fold mirror to the orthogonal state. In order to eliminate P-reflection from the PBS 712, a clean up polarizer 746 is likely desirable. This preferably follows the achromatic rotator 714, thereby reducing polarization conversion efficiency as a factor in system level contrast.

**[0034]** PCS 700 provides a high contrast image on the screen. In this exemplary embodiment, the final screen image has a center located on the optical axis of the projection lens. In some other embodiments, the final screen image may be located off-center from the optical axis - for example, a half screen height below the optical axis of the projection lens. In such embodiments, the polarizing beamsplitter 712 may be relocated to intercept the full illumination from the projection lens 722, and the fold mirror 716 may be tilted to properly overlay the two images on the screen. The polarization switch 720 in this embodiment has been split into two elements (one for each path) to increase fabrication yield; although, as previously discussed, it could alternatively be a single unit.

**[0035]** As used herein, the term "cinematic projection" refers to the projection of images using front and/or rear projection techniques, and includes, but is not limited to,

applications for cinema, home theatre, simulators, instrumentation, head-up displays,. and other projection environments where stereoscopic images are displayed.

**[0036]** While several embodiments and variations of polarization conversion systems for stereoscopic projection have been described above, it should be understood that they have been presented by way of example only, and not limitation. Thus, the breadth and scope of the invention(s) should not be limited by any of the above-described exemplary embodiments, but should be defined only in accordance with any claims and their equivalents issuing from this disclosure. Furthermore, the above advantages and features are provided in described embodiments, but shall not limit the application of such issued claims to processes and structures accomplishing any or all of the above advantages.

**[0037]** Additionally, the section headings herein are provided for consistency. These headings shall not limit or characterize the invention(s) set out in any claims that may issue from this disclosure. Specifically and by way of example, although the headings refer to a "Technical Field," such claims should not be limited by the language chosen under this heading to describe the so-called technical field. Further, a description of a technology in the "Background" is not to be construed as an admission that technology is prior art to any invention(s) in this disclosure. Neither is the "Brief Summary" to be considered as a characterization of the invention(s) set forth in issued claims. Furthermore, any reference in this disclosure to "invention" in the singular should not be used to argue that there is only a single point of novelty in this disclosure. Multiple inventions may be set forth according to the limitations of the multiple claims issuing from this disclosure, and such claims accordingly define the invention(s), and their equivalents, that are protected thereby. In all instances, the scope of such claims shall be considered on their own merits in light of this disclosure, but should not be constrained by the headings set forth herein.

## Patentkrav

### 1. Polarisationsomformersystem omfattende:

en polarisationsstråledeler (PBS) -plade eller -terning (112, 212, 312, 412, 712) konfigureret til at modtage tilfældigt polariserede lysbundter omfattende et billede fra en projektorlinse (122, 722), og til at lede første lysbundter med en første polarisationstilstand (SOP) langs en første strålegang, og til at lede anden lysbundter med en anden SOP langs en anden strålegang;

en polarisationsrotator (114, 214, 648, 714), hvor polarisationsrotatoren er anbragt i den første strålegang og er indrettet til at translaterer den første SOP til den anden SOP, eller hvor polarisationsrotatoren er anbragt i den anden strålegang og er indrettet til at translaterer den anden SOP til den første SOP; **kendetegnet ved**

en polarisationsomskifter (120, 220, 320, 520, 620, 720), der er indrettet til at modtage første og anden lysbundter fra henholdsvis den første og den anden strålegang, og til selektivt at translaterer polarisationstilstandene for de første og andet lysbundter til enten en første afgivet SOP eller en anden afgivet SOP; og

et reflektorelement (116, 216, 316, 516, 616, 716), der er anbragt i den anden strålegang,

i hvilket system, der for at lede den anden strålegang i retning af i det væsentlige de samme placeringer på en projektionsskærm som den første strålegang, gælder i det mindste et af følgende kriterier:

(i) at reflektorelementet er vipbart;

(ii) at polarisationsstråledeleren er vipbar; og

(iii) at polarisationsomformersystemet endvidere indbefatter en linse eller et element med optisk effekt, hvor linsen eller elementet med optisk effekt kan decentreres mekanisk.

2. Polarisationsomformersystem ifølge krav 1, hvor den første afgivne SOP er ortogonal med den anden afgivne SOP.

3. Polarisationsomformersystem ifølge krav 1, der yderligere omfatter et par spejle anbragt i den første strålegang efter polarisationsomskifteren, hvor spejleparret er indrettet til i det væsentlige at udligne den optiske vejlængde mellem den første strålegang og den anden strålegang.

4. Polarisationsomformersystem ifølge krav 1, hvor polarisationsrotatoren omfatter en retarder-stack.

5. Polarisationsomformersystem ifølge krav 1, hvor polarisationsomskifteren omfatter et enkelt panel, der modtager lys fra den første strålegang og den anden strålegang.

6. Polarisationsomformersystem ifølge krav 1, hvor polarisationsomskifteren omfatter første og anden polarisationsomskifterpaneler, hvor det første polarisationsomskifterpanel modtager lys fra den første strålegang, og det andet polarisationsomskifterpanel modtager lys fra den anden strålegang.

7. Polarisationsomformersystem ifølge krav 6, der yderligere omfatter et teleobjektivpar, der er anbragt i den første strålegang, efter den første polarisationsomskifter.

8. Polarisationsomformersystem ifølge krav 1, hvor polarisationsomskifteren er konfigureret til at vælge mellem den første og den anden afgivne polarisationstilstand synkroniseret med overførsel af en billedramme fra en projektor.

9. Projektionssystem, der benytter polariseret lys til kodning af stereoskopiske billeder, der omfatter:

en projektor, der omfatter en projektorlinse, som er indrettet til at udsende tilfældigt polariseret lys omfattende et billede; og

et polarisationsomformersystem, der omfatter:

en polarisationsstråledeler (PBS), der er konfigureret til at modtage tilfældigt polariserede lysbundter omfattende et billede fra en projektorlinse (122), og til at lede

første lysbundter med en første polarisationstilstand (SOP) langs en første strålegang, og til at lede anden lysbundter med en anden SOP langs en anden strålegang; en polarisationsrotator (114, 214, 320, 412, 512), hvor polarisationsrotatoren er anbragt i den første strålegang og er indrettet til at translaterer den første SOP til den anden SOP, eller hvor polarisationsrotatoren er anbragt i den anden strålegang og er indrettet til at translaterer den anden SOP til den første SOP; **kendetegnet ved** en polarisationsomskifter (120, 220), der er indrettet til at modtage første og anden lysbundter fra henholdsvis den første og den anden strålegang, og til selektivt at translaterer polarisationstilstandene for de første og andet lysbundter til enten en første afgivet SOP eller en anden afgivet SOP; og et reflektorelement, der er anbragt i den anden strålegang, hvor reflektorelementet er indrettet til lede den anden strålegang i retning af i det væsentlige de samme placeringer på en projektionsskærm som den første strålegang.

10. Projektionssystem ifølge krav 9, hvor polarisationsomskifteren er anbragt efter det reflekterende element i den anden strålegang.

11. Projektionssystem ifølge krav 9, hvor polarisationsomskifteren er anbragt før det reflekterende element i den anden strålegang.

12. Fremgangsmåde til stereoskopisk billedprojektion omfattende:

modtagelse af tilfældigt polariseret lys omfattende et billede fra en projektor;

ledning af lys i en første polarisationstilstand (SOP) ad en første strålegang ved anvendelse af en polarisationsstråledeler;

ledning af andet SOP lys ad en anden strålegang ved anvendelse af polarisationsstråledeleren;

transformering af det første SOP lys i den første strålegang til det andet SOP lys, eller transformering af det andet SOP lys i den anden strålegang til det første SOP lys;

selektivt at translaterer det første SOP lys i begge strålegange til enten en første afgivet SOP eller en anden afgivet SOP; og

ledning af den første og anden strålegang i retning af i det væsentlige de samme placeringer på en projektionsskærm ved anvendelse af polarisationsstråledeleren, der er justeret i vinkel, eller et vinkeljusteret reflektorelement, der er justeret i vinkel, eller ved udførelse af i det mindste et af følgende trin:

- (i) vipning af et reflektorelement, der er anbragt i den anden strålegang;
- (ii) vipning af polarisationsstråledeleren; og
- (iii) mekanisk decentrering af en linse eller af et element med optisk effekt.

13. Fremgangsmåde til stereoskopisk billedprojektion ifølge krav 12, der yderligere omfatter synkronisering af den første afgivne SOP og den anden afgivne SOP med overførslen af en billedramme fra projektoren.

14. Fremgangsmåde til stereoskopisk billedprojektion omfattende:

frembringelse af et billede omfattende tilfældigt polariseret lys ved anvendelse af en projektor;

ledning af lys i en første polarisationstilstand (SOP) fra det tilfældigt polariserede lys ad en første strålegang;

ledning af et andet SOP lys fra det tilfældigt polariserede lys ad en anden strålegang;

transformering af det første SOP lys ad den første strålegang til anden SOP lys, eller transformering af det andet SOP lys ad den anden strålegang til første SOP lys;

selektiv translatering af det første SOP lys ad begge strålegange til enten en første afgivet SOP eller en anden afgivet SOP; og

ledning af den første og anden strålegang i retning af i det væsentlige de samme placeringer på en projektionsskærm.

Drawing

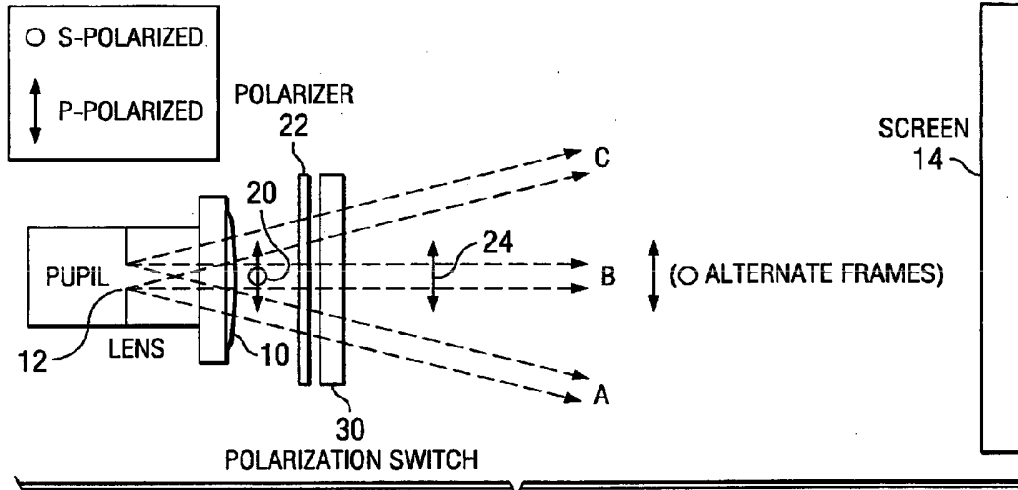


FIG. 1  
(PRIOR ART)

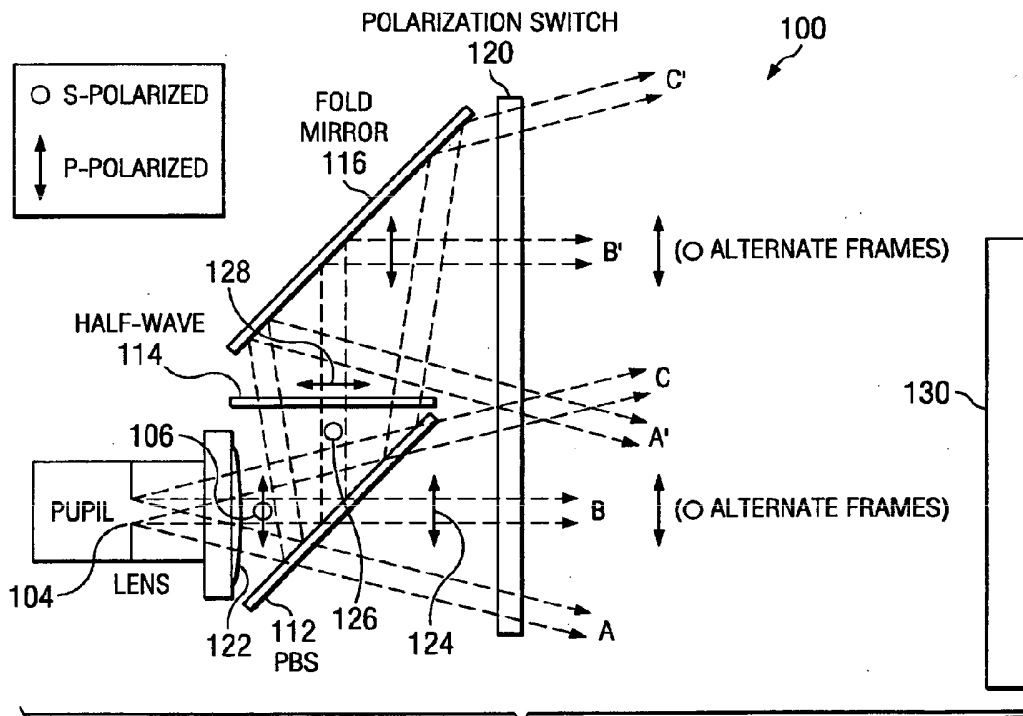


FIG. 2

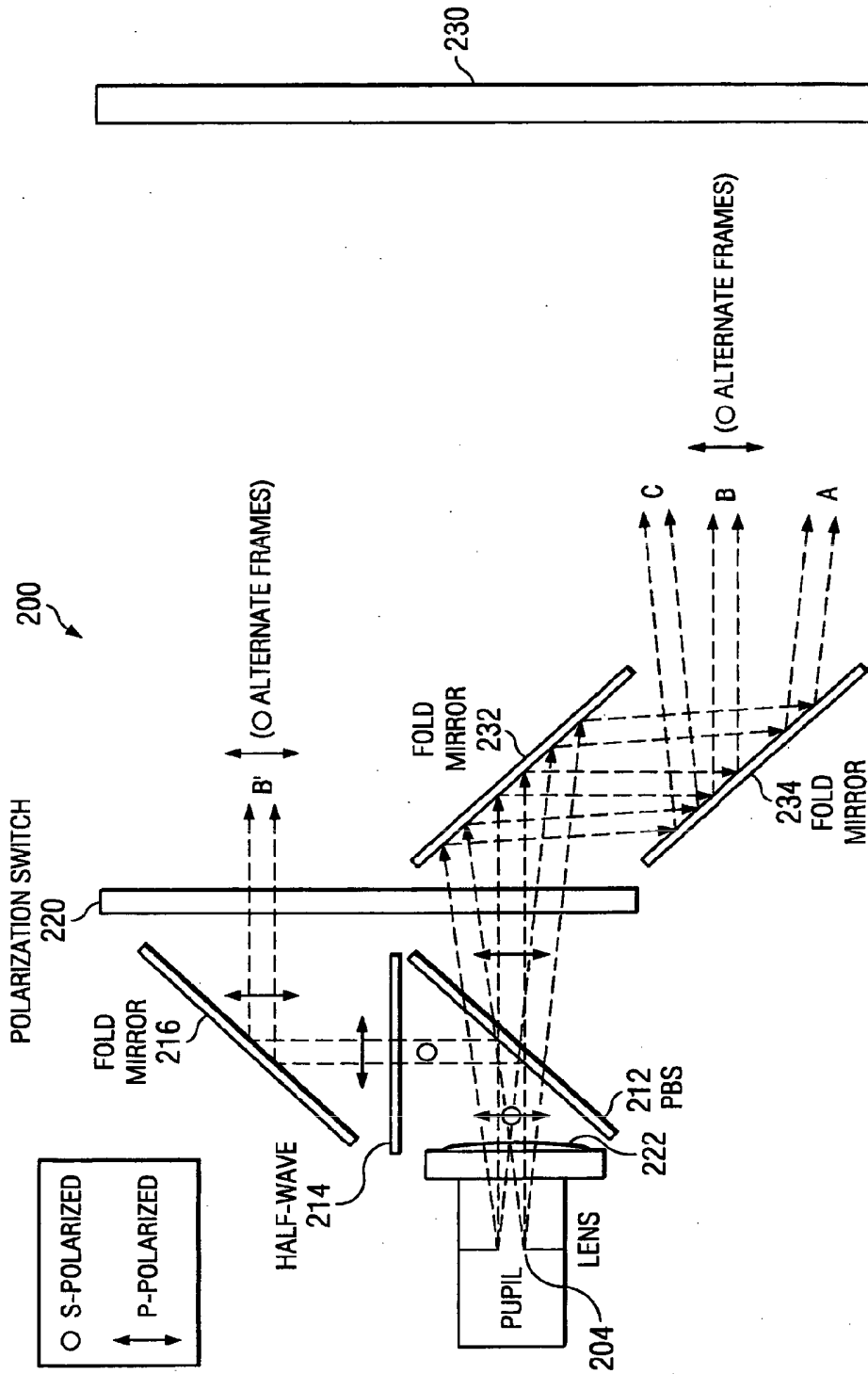


FIG. 3

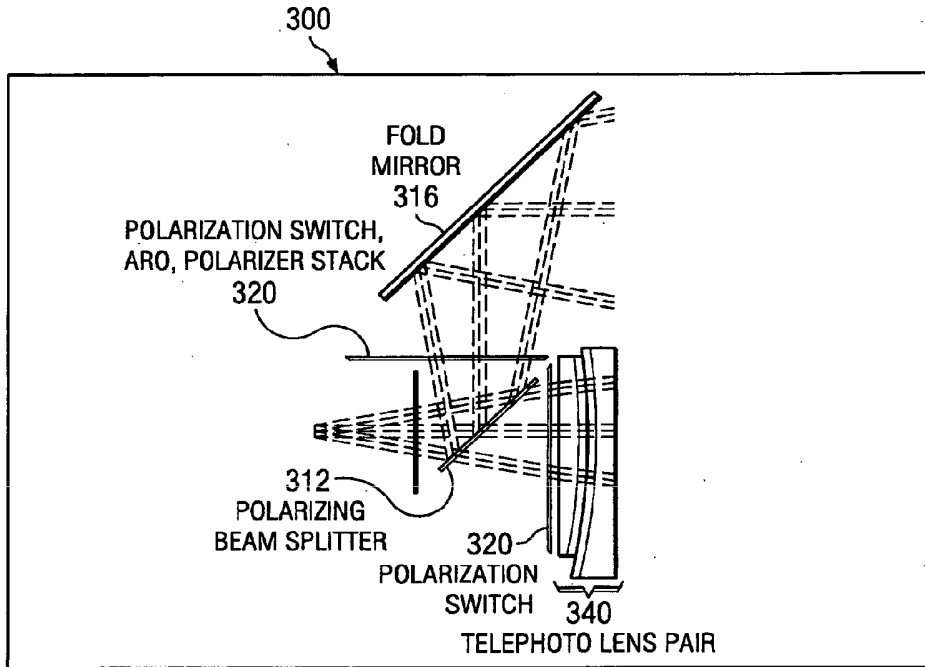


FIG. 4

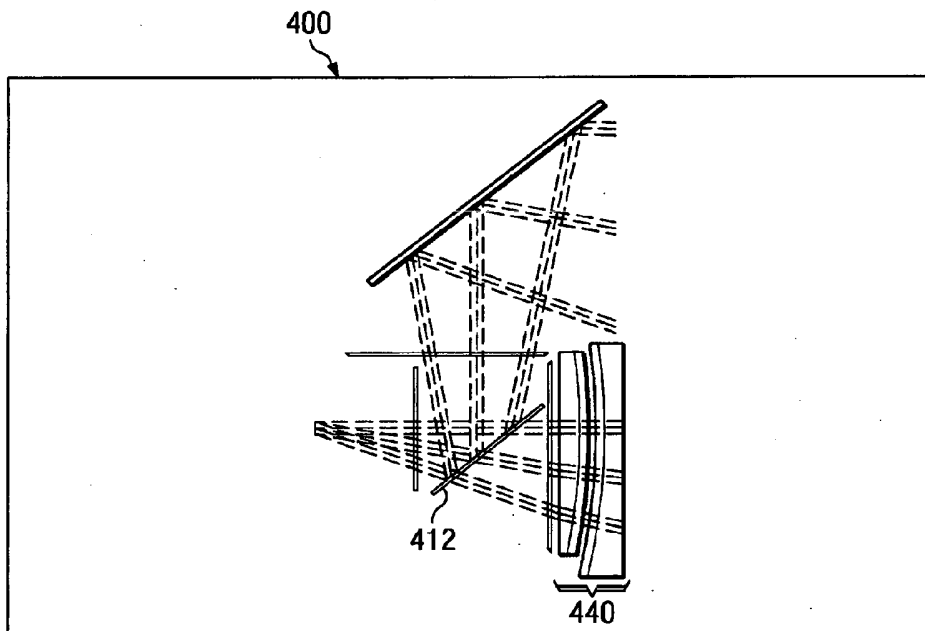


FIG. 5

