



US00D966798S

(12) **United States Design Patent**  
**Zhang**

(10) **Patent No.:** **US D966,798 S**

(45) **Date of Patent:** **\*\* Oct. 18, 2022**

(54) **HANDLE FOR KITCHEN UTENSIL**

(71) Applicant: **Siduo Zhang**, Guangdong (CN)

(72) Inventor: **Siduo Zhang**, Guangdong (CN)

(73) Assignee: **GUANGZHOU BAOMEI NETWORK TECHNOLOGY CO., LTD.**, Guangzhou (CN)

(\*\*) Term: **15 Years**

(21) Appl. No.: **29/800,761**

(22) Filed: **Jul. 23, 2021**

(51) **LOC (13) Cl.** ..... **07-02**

(52) **U.S. Cl.**  
USPC ..... **D7/395**; D8/107

(58) **Field of Classification Search**  
USPC ..... D7/395, 393, 401.2, 642, 664, 688–693,  
D7/387, 361, 354, 682, 667, 412;  
D8/300, 303, 307, 310–312, 321, 107, 80,  
D8/83, 58; D4/138, 104; D21/756  
CPC ..... B25G 1/00; B25G 1/02; B25G 1/10; A47J  
43/28; A47J 43/284; A47J 43/288  
See application file for complete search history.

(56) **References Cited**

**U.S. PATENT DOCUMENTS**

D180,749 S *	8/1957	Pardon .....	D7/664
D258,168 S *	2/1981	MacDougall .....	D21/756
D360,076 S *	7/1995	Schneider .....	D4/104
D372,411 S *	8/1996	Ho .....	D8/83
D375,433 S *	11/1996	Jorgensen .....	D7/354
D416,184 S *	11/1999	Gathmann .....	D8/58
D429,526 S *	8/2000	Sullivan .....	D8/107
D432,381 S *	10/2000	Khachatoorian .....	D8/80
D448,645 S *	10/2001	Lin .....	D8/83
D462,885 S *	9/2002	Hung .....	D8/80
D478,267 S *	8/2003	Chen .....	D8/80
D632,858 S *	2/2011	Sgroi .....	D8/107
D690,153 S	9/2013	Zemel	

D696,563 S *	12/2013	Hauser .....	D7/682
D730,689 S *	6/2015	Bodum .....	D7/412
D778,056 S *	2/2017	Wada .....	D4/138
D876,185 S *	2/2020	Hernández Ramos .....	D7/693
D900,562 S *	11/2020	Huang .....	D7/690
D902,674 S *	11/2020	Huang .....	D7/690
D911,128 S *	2/2021	Xie .....	D7/692
D914,469 S *	3/2021	Xie .....	D7/691
D914,470 S *	3/2021	Xie .....	D7/692
D915,159 S *	4/2021	Xie .....	D7/691
D915,844 S *	4/2021	Xie .....	D7/688
D917,244 S *	4/2021	Xie .....	D7/667

(Continued)

**OTHER PUBLICATIONS**

33 Piece Kitchen Utensils Set, Wayfair [online], no publication date, [retrieved on Apr. 14, 2022]. Retrieved from the Internet, URL: [https://www.wayfair.com/kitchen-tabletop/pdp/zntellectual-33-piece-kitchen-utensils-set-ztel2504.html?piid=63915990.\\*](https://www.wayfair.com/kitchen-tabletop/pdp/zntellectual-33-piece-kitchen-utensils-set-ztel2504.html?piid=63915990)

*Primary Examiner* — Nicole C Shiflet

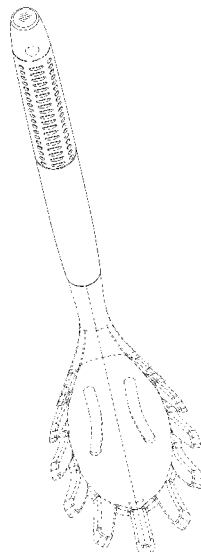
(57) **CLAIM**

The ornamental design for a handle for kitchen utensil, as shown and described.

**DESCRIPTION**

FIG. 1 is a top, front perspective view of a handle for kitchen utensil showing my new design;  
FIG. 2 is a rear, top, right side perspective view thereof;  
FIG. 3 is a front elevation view thereof;  
FIG. 4 is a rear elevation view thereof;  
FIG. 5 is a left side elevation view thereof, the right side elevation view being a mirror image of the left side elevation view;  
FIG. 6 is an enlarged top plan view thereof; and,  
FIG. 7 is an enlarged bottom plan view thereof.  
The broken lines in the drawings illustrate environment and portions of the handle for kitchen utensil and form no part of the claimed design.

**1 Claim, 6 Drawing Sheets**



(56)

**References Cited**

U.S. PATENT DOCUMENTS

D918,674 S *	5/2021	Xie .....	D7/692
D920,038 S	5/2021	Thompson	
D934,638 S *	11/2021	Lin .....	D7/682

\* cited by examiner

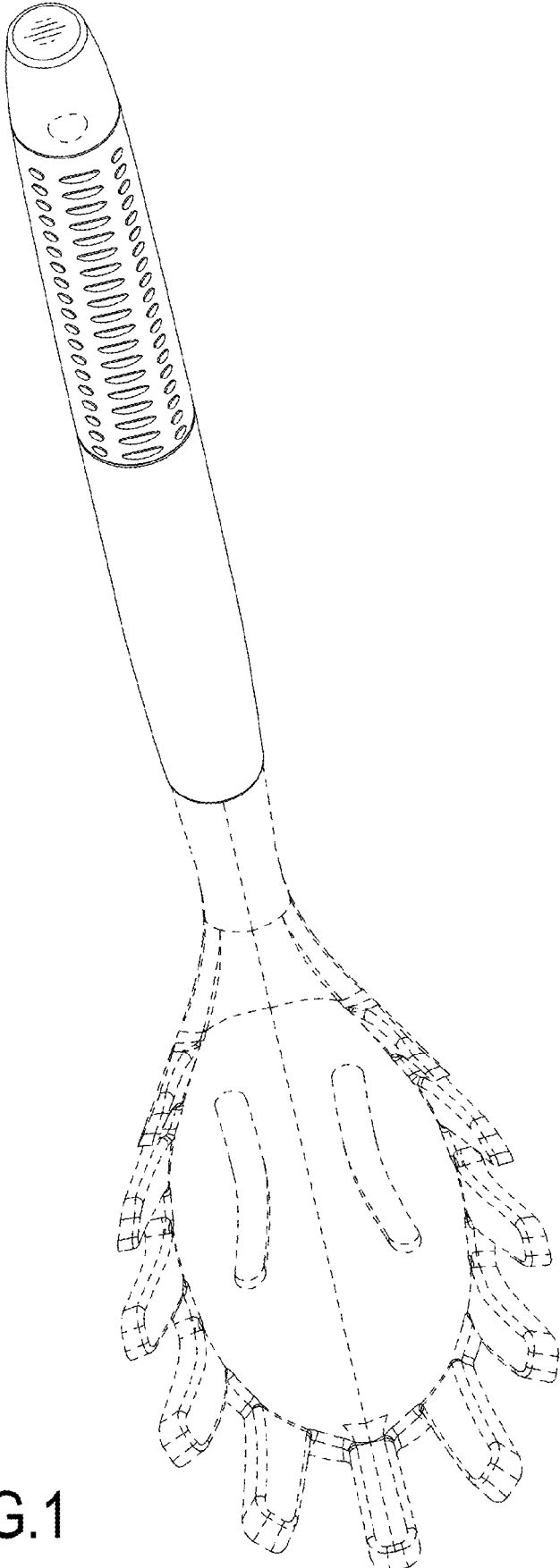


FIG.1

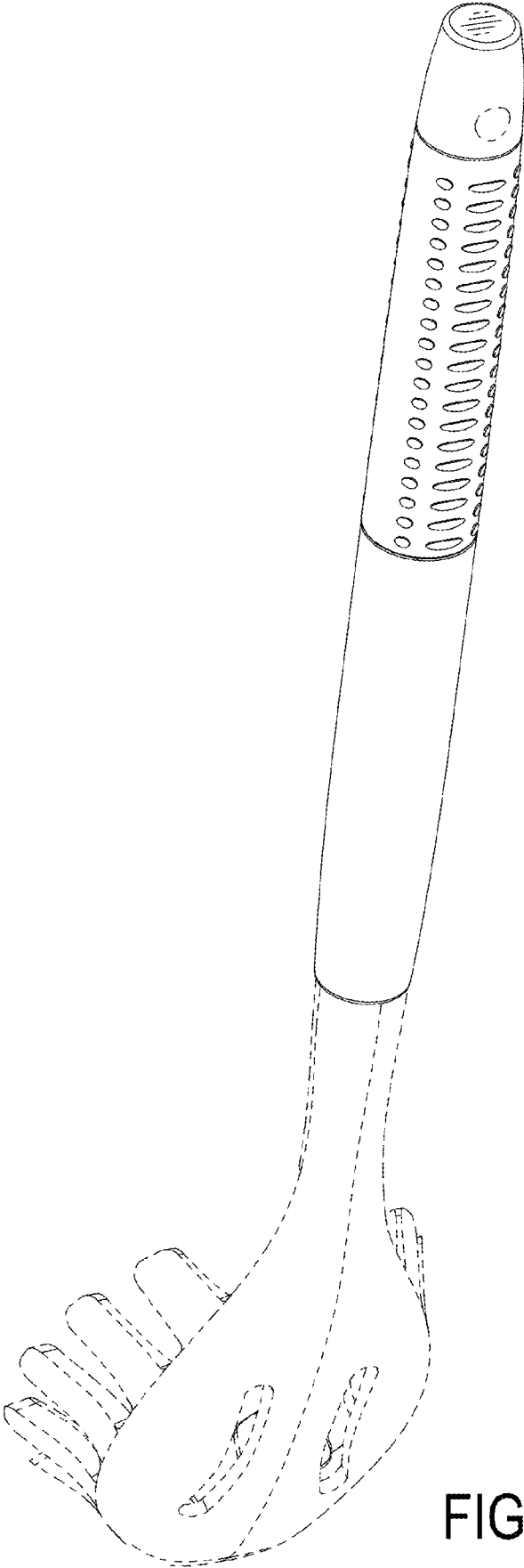


FIG.2

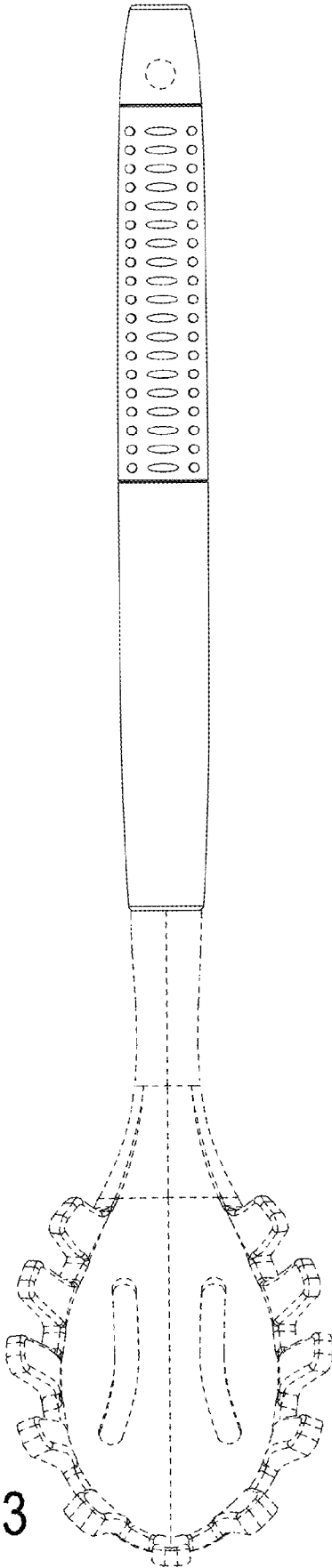


FIG.3

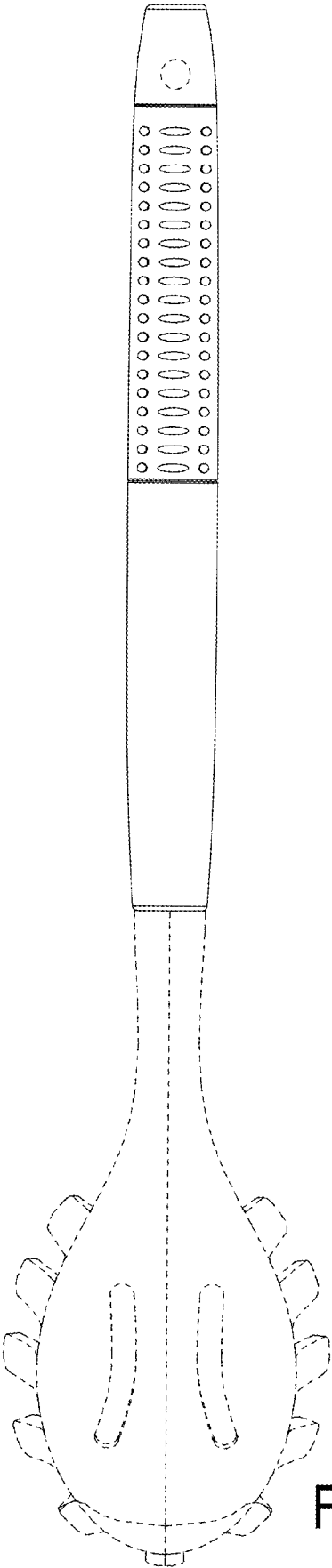


FIG.4

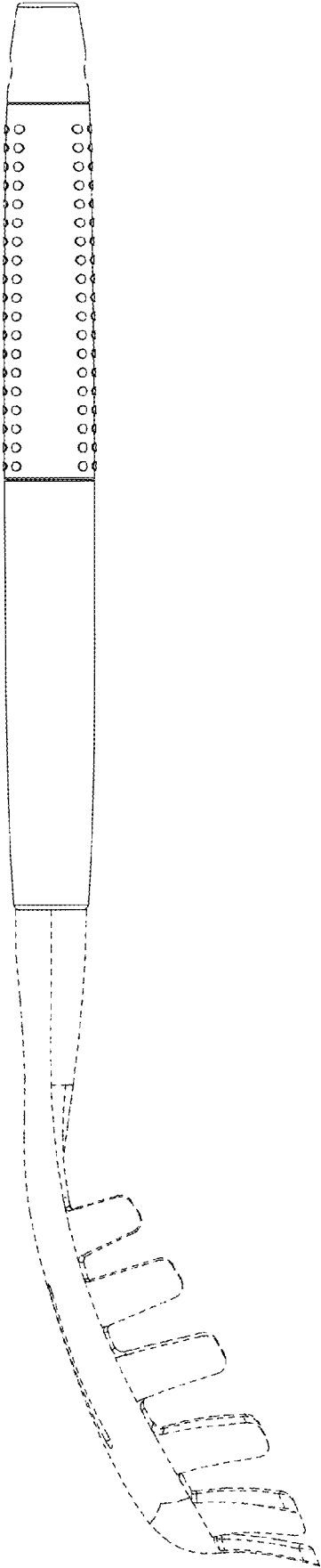


FIG.5

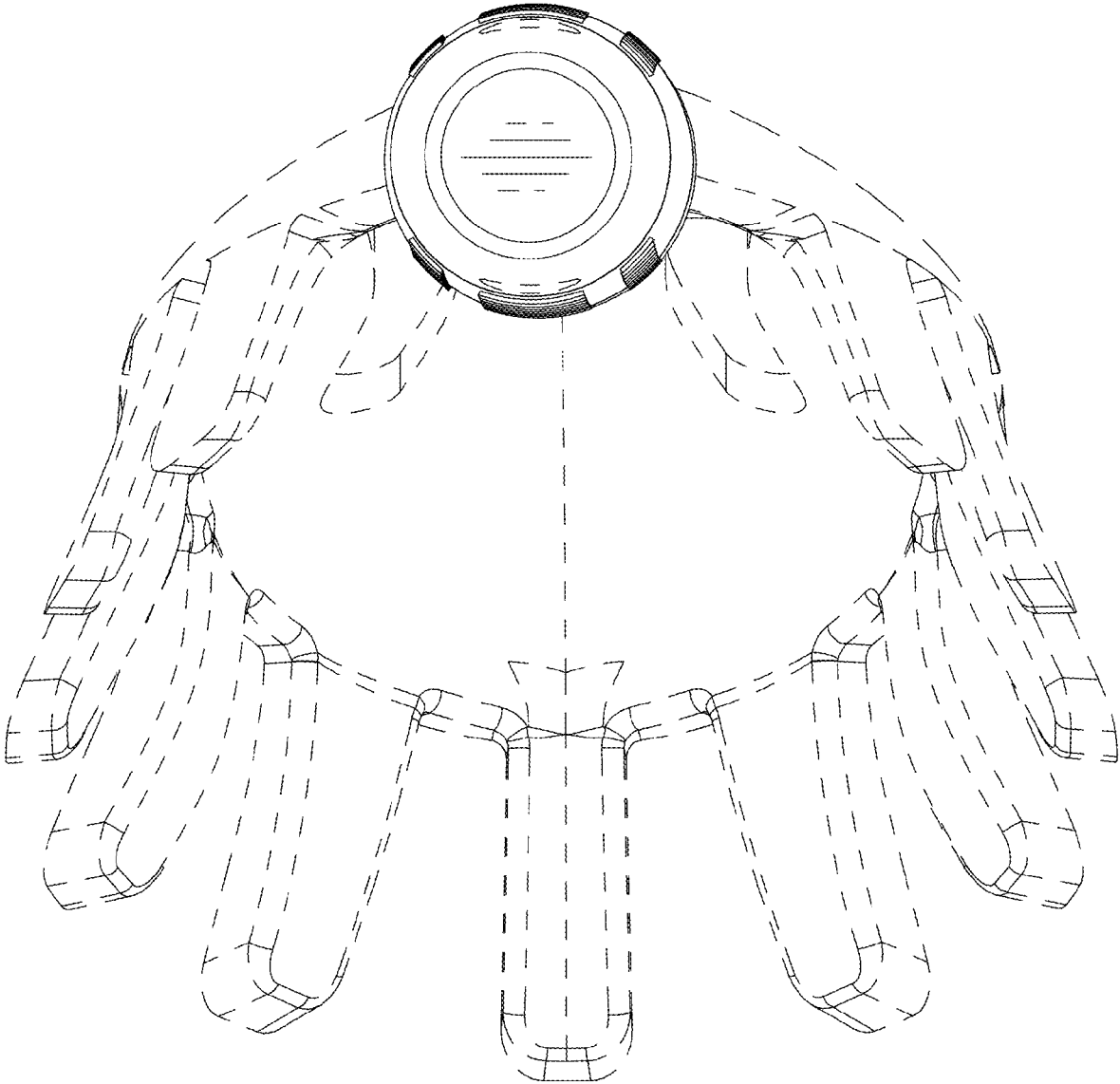


FIG.6

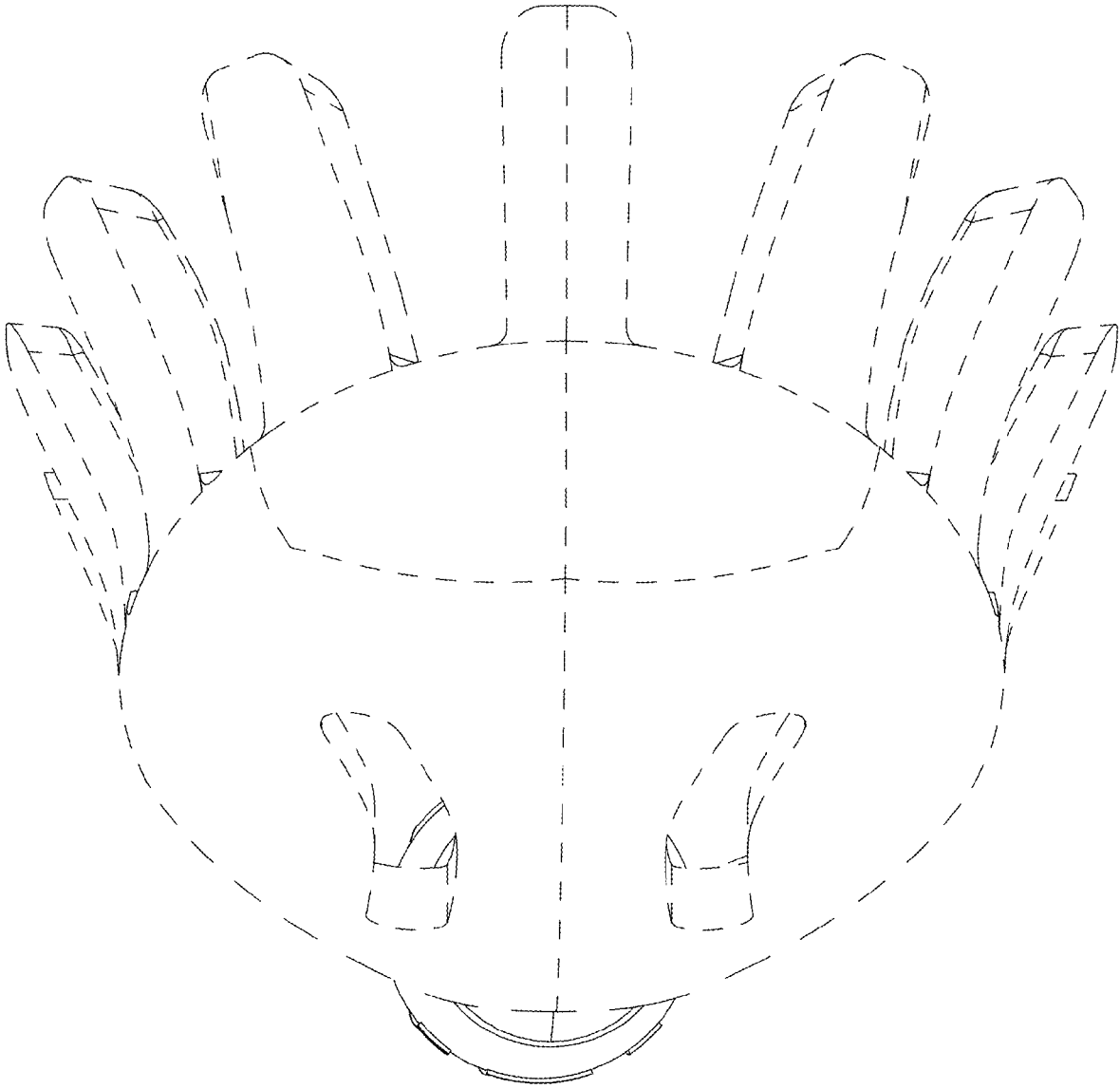


FIG.7