



US00D936136S

(12) **United States Design Patent**
Eun

(10) **Patent No.:** **US D936,136 S**

(45) **Date of Patent:** **** Nov. 16, 2021**

(54) **FOLDABLE POS APPARATUS**

FOREIGN PATENT DOCUMENTS

- (71) Applicant: **POSBANK CO., LTD.**, Seoul (KR)
- (72) Inventor: **Dong-Uk Eun**, Gwangmyeong-si (KR)
- (73) Assignee: **POSBANK CO., LTD.**, Seoul (KR)
- (**) Term: **15 Years**
- (21) Appl. No.: **29/723,471**
- (22) Filed: **Feb. 7, 2020**

CN 211454740 U * 9/2020
Primary Examiner — Marie D. Fast Horse
 (74) *Attorney, Agent, or Firm* — Revolution IP, PLLC

(57) **CLAIM**

The ornamental design for a foldable POS apparatus, as shown and described.

DESCRIPTION

(30) **Foreign Application Priority Data**

Jan. 7, 2020 (KR) 30-2020-0000609

(51) **LOC (13) Cl.** **18-01**

(52) **U.S. Cl.**
USPC **D18/4.5**

(58) **Field of Classification Search**

USPC D18/4.4, 4.5, 4.6, 2, 11, 12, 12.3, 50, 14,
 D18/19–21, 54, 99, 4.1, 4.3; D14/300,
 D14/307, 314, 328, 332–340, 356, 383,
 D14/385, 386, 434, 447, 451, 453, 457,
 D14/496, 168, 299, 900, 902, 371, 125,
 D14/126, 129, 216, 341; D20/1, 8, 9;
 D99/28, 43; D24/185, 186
 CPC G06F 1/1601; G06F 1/1692; G06Q 20/00;
 G06Q 20/08; G06Q 20/20; G06Q 20/204;
 G06Q 20/18; G07F 7/0873; G07F 7/088;
 G07F 7/0886; G07F 7/0893; G07G
 1/0009; G07G 1/0018

See application file for complete search history.

FIG. 1 is a perspective view of a foldable POS (Point of Sale) apparatus showing the claimed design in the first position;
 FIG. 2 is a front view thereof;
 FIG. 3 is a rear view thereof;
 FIG. 4 is a left side view thereof;
 FIG. 5 is a right side view thereof;
 FIG. 6 is a top view thereof;
 FIG. 7 is a bottom view thereof;
 FIG. 8 is a perspective view of the foldable POS apparatus showing the claimed design in the second position;
 FIG. 9 is a front view of FIG. 8;
 FIG. 10 is a rear view of FIG. 8;
 FIG. 11 is a left side view of FIG. 8;
 FIG. 12 is a right side view of FIG. 8;
 FIG. 13 is a top view of FIG. 8;
 FIG. 14 is a bottom view of FIG. 8;
 FIG. 15 is a perspective view of the foldable POS apparatus showing the claimed design in the third position;
 FIG. 16 is a front view of FIG. 15;
 FIG. 17 is a rear view of FIG. 15;
 FIG. 18 is a left side view of FIG. 15;
 FIG. 19 is a right side view of FIG. 15;
 FIG. 20 is a top view of FIG. 15; and,
 FIG. 21 is a bottom view of FIG. 15.

The broken lines in FIGS. 3 and 17 show portions of the foldable POS apparatus and form no part of the claimed design.

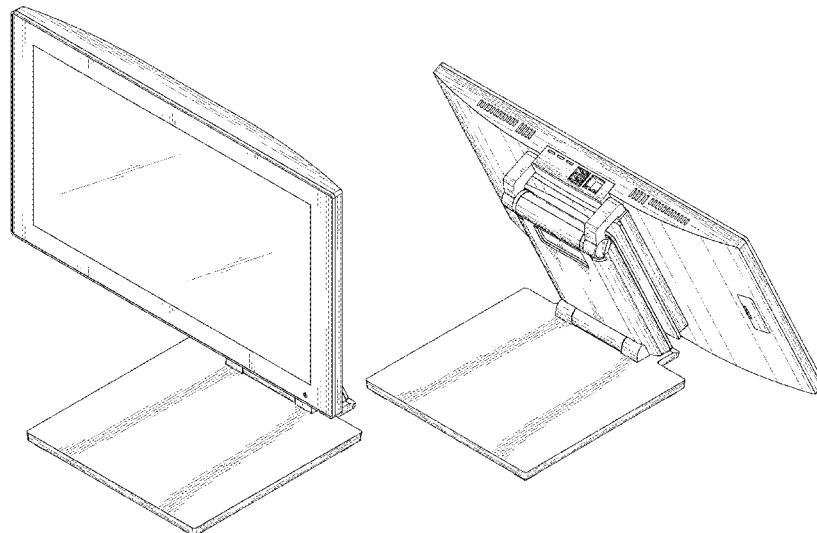
1 Claim, 21 Drawing Sheets

(56) **References Cited**

U.S. PATENT DOCUMENTS

4,438,458 A * 3/1984 Munscher G06F 1/1601
 348/838
 D319,435 S * 8/1991 Brown D14/336

(Continued)



(56)

References Cited

U.S. PATENT DOCUMENTS

D321,172	S *	10/1991	Moore, IV	D14/389	D735,802	S *	8/2015	Lyons	D18/4.5
D357,495	S *	4/1995	Skaggs	D14/336	D743,394	S *	11/2015	Chang	D14/375
D360,196	S *	7/1995	Cox	D18/4.5	D746,902	S *	1/2016	Lyons	D18/4.5
D383,739	S *	9/1997	Gilgen	D14/126	D763,255	S *	8/2016	Lee	D14/371
6,031,714	A *	2/2000	Ma	G06F 1/1601	D772,335	S *	11/2016	Mantrawadi	D18/4.6
				248/918	D778,982	S *	2/2017	Beatty	D18/4.5
D438,862	S *	3/2001	Brandenberg	D14/336	9,659,466	B1 *	5/2017	Chen	G06Q 20/20
D504,426	S *	4/2005	Shoda	G06F 1/1601	D803,827	S *	11/2017	Escolin	D14/336
				D14/336	D806,068	S *	12/2017	Liu	D14/336
D532,387	S *	11/2006	Lukic	D14/126	D807,424	S *	1/2018	Chang	D18/4.4
D533,155	S *	12/2006	Nakata	D14/126	D810,816	S *	2/2018	Chen	D18/4.4
D537,079	S *	2/2007	Park	D14/375	D811,472	S *	2/2018	Chen	D18/4.4
D540,797	S *	4/2007	Chen	D14/336	D816,662	S *	5/2018	Haller	D14/336
D554,639	S *	11/2007	Kim	D14/375	D817,323	S *	5/2018	Eun	D14/336
D578,087	S *	10/2008	Yokota	D14/126	D844,046	S *	3/2019	Yeruva	D18/4.5
D590,785	S *	4/2009	Yokota	D14/126	D844,696	S *	4/2019	Yeruva	D18/4.5
D599,756	S *	9/2009	Yokota	D14/126	D849,832	S *	5/2019	Baker	D18/4.5
7,609,507	B2 *	10/2009	Sakata	F16M 11/10	D882,680	S *	4/2020	Eun	D18/4.5
				248/176.1	10,747,262	B1 *	8/2020	Chiu	G06F 1/1601
D619,133	S *	7/2010	Bucsa	D14/314	D897,338	S *	9/2020	Escolin	D14/336
D676,900	S *	2/2013	Ohno	D18/4.4	D902,296	S *	11/2020	Cathala	D18/4.5
D680,108	S *	4/2013	Kumagai	D14/336	D918,193	S *	5/2021	Fredette	D14/307
D695,244	S *	12/2013	Wolff	D14/126	D920,324	S *	5/2021	Warren	D14/336
D697,064	S *	1/2014	Chen	D14/336	2008/0266768	A1 *	10/2008	Drew	F16M 11/105
D703,631	S *	4/2014	Hallar	D14/129					361/679.06
D706,864	S *	6/2014	Branck	D18/4.6	2014/0353453	A1 *	12/2014	Quijano	F16M 11/2021
D707,288	S *	6/2014	Branck	D18/4.6					248/419
D713,447	S *	9/2014	Balar	D18/4.6	2015/0001291	A1 *	1/2015	Govindarajan	G06Q 20/204
D724,040	S *	3/2015	Chan	D14/126					235/380
D725,285	S *	3/2015	Wohlstadter	D24/216	2015/0199668	A1 *	7/2015	Fernando	G06Q 20/20
D727,893	S *	4/2015	Lee	D14/336					705/14.65
D732,495	S *	6/2015	Liao	D14/126	2016/0161045	A1 *	6/2016	Lee	G06F 1/1601
				361/679.22
					2017/0300083	A1 *	10/2017	Park	G06F 1/1601

* cited by examiner

FIG. 1

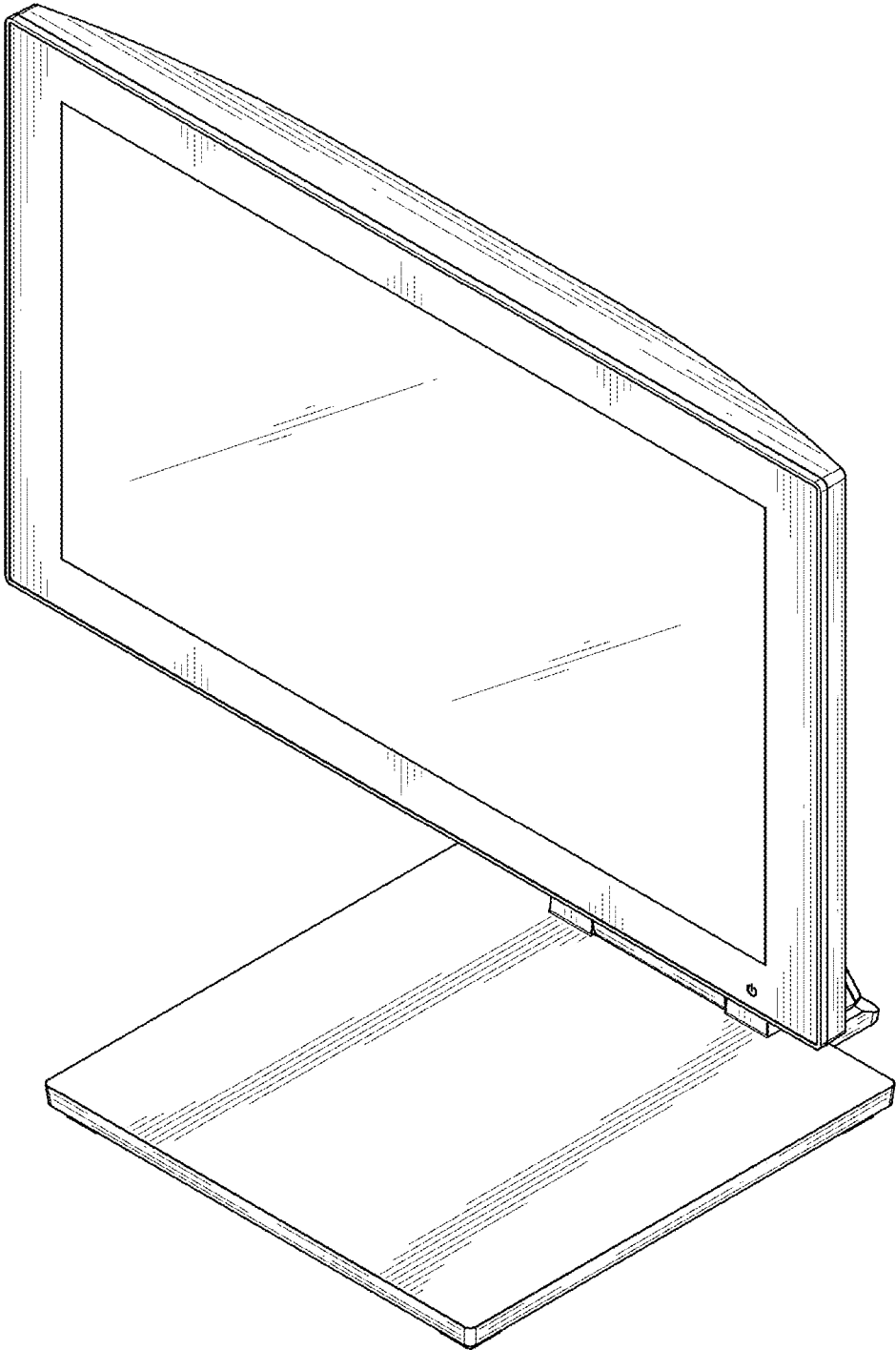


FIG. 2

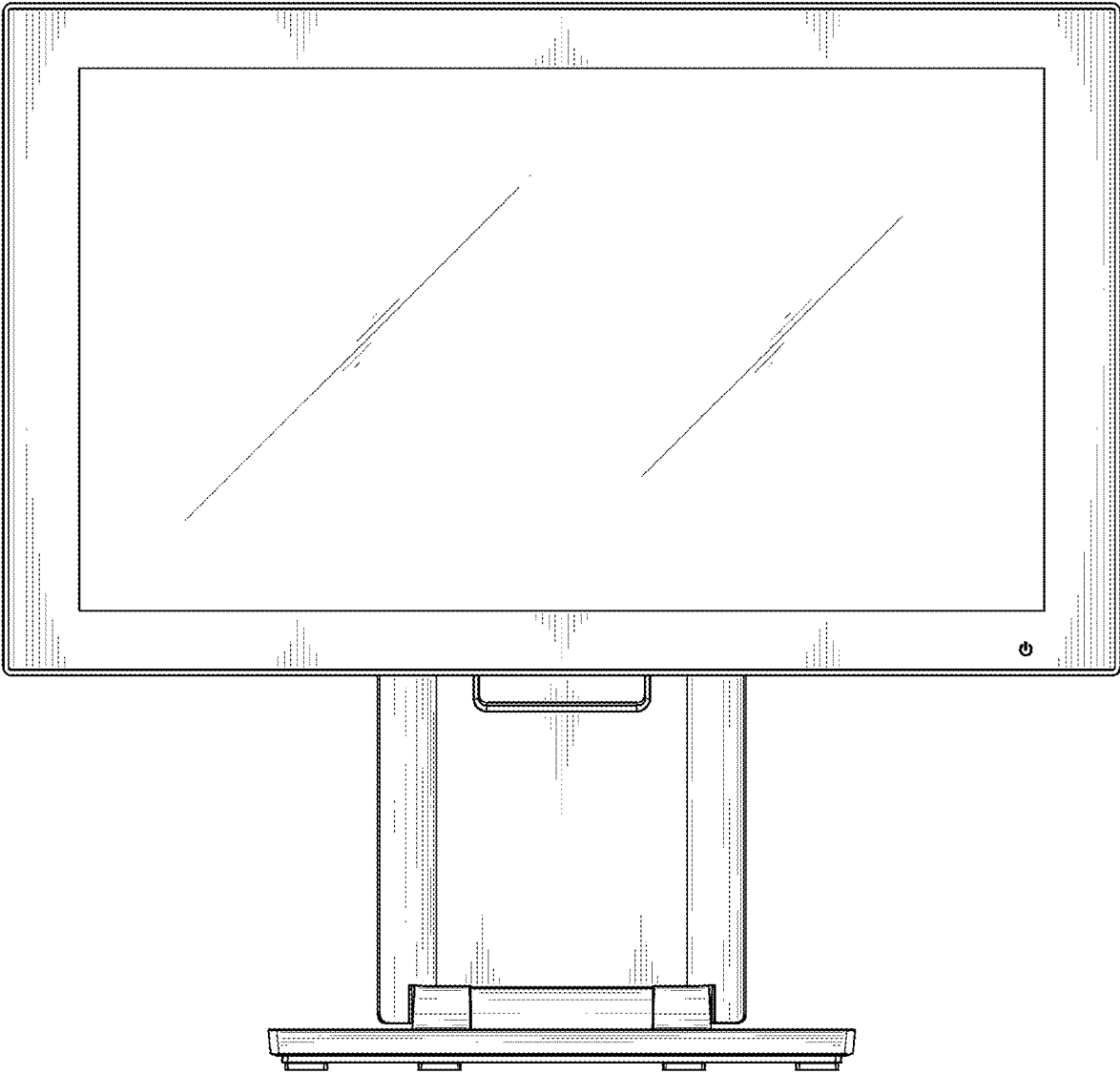


FIG. 3

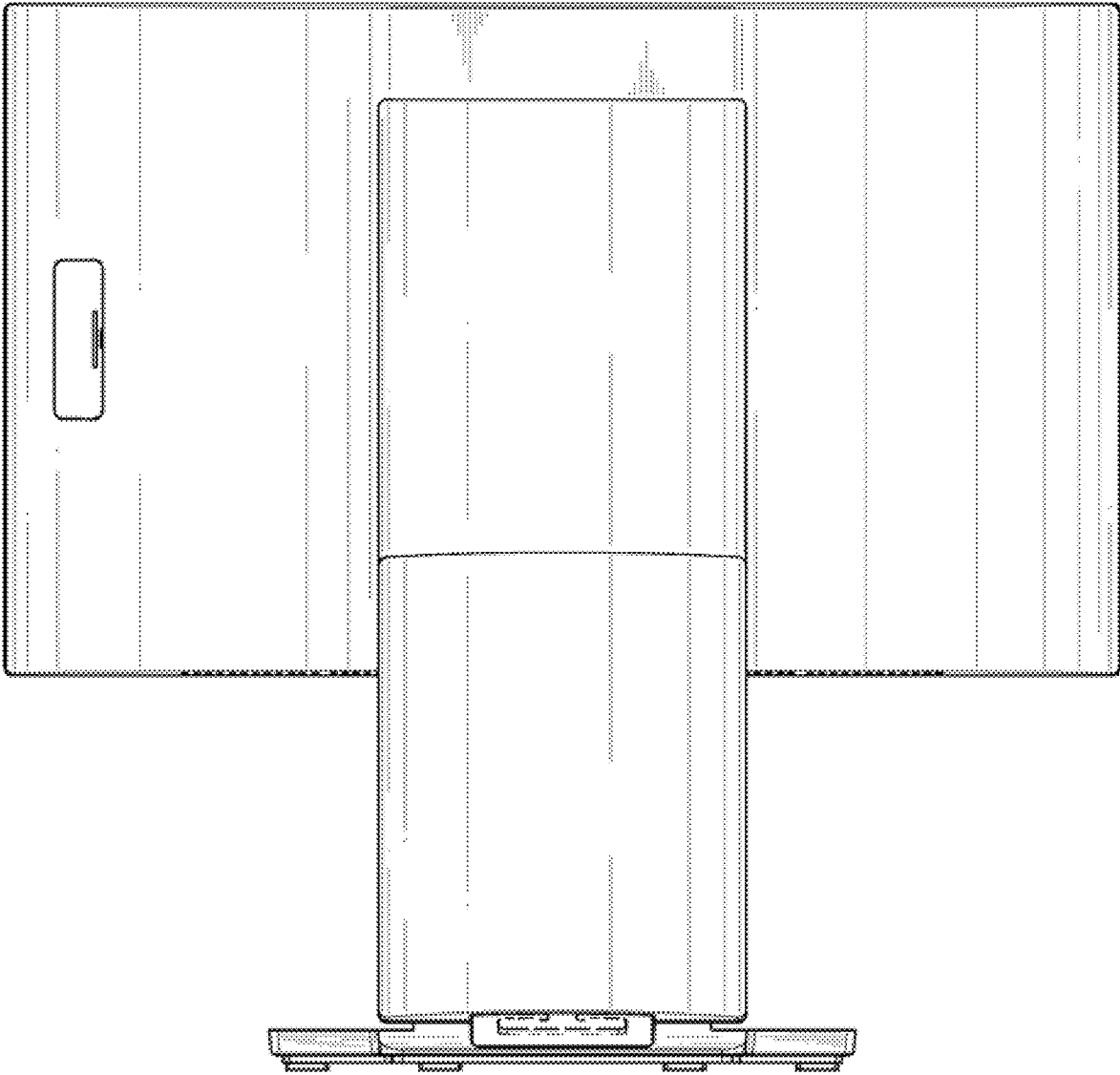


FIG. 4

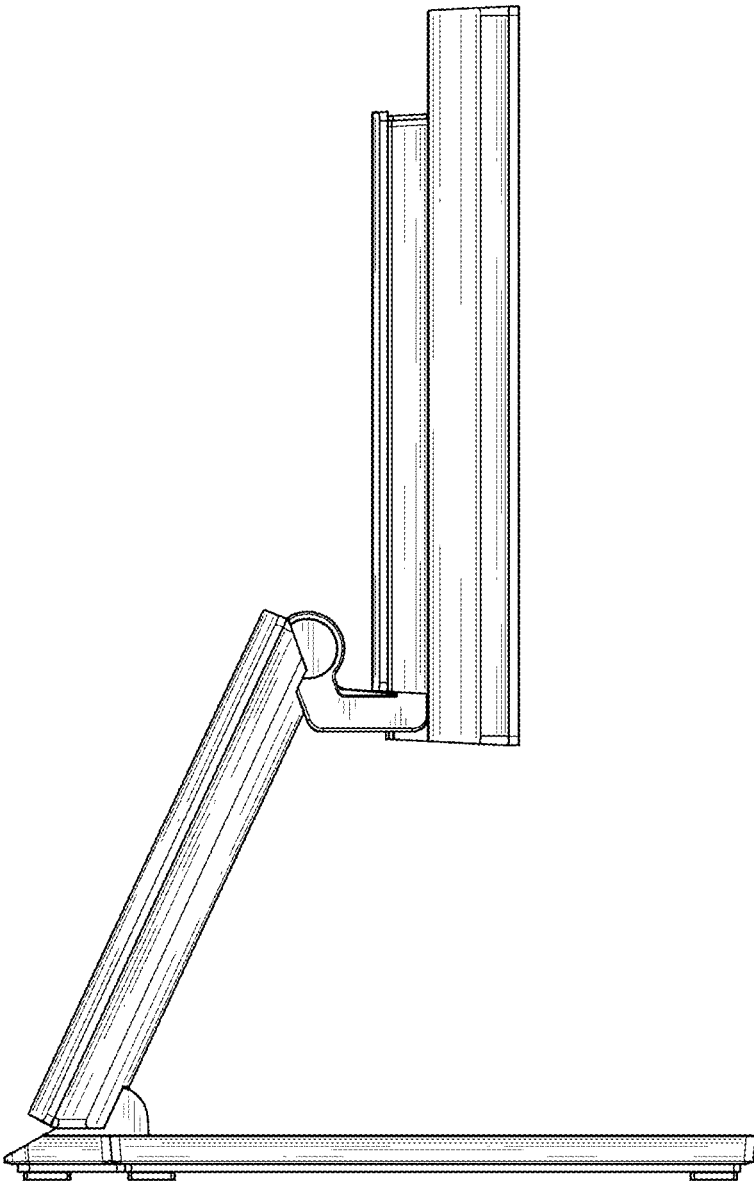


FIG. 5

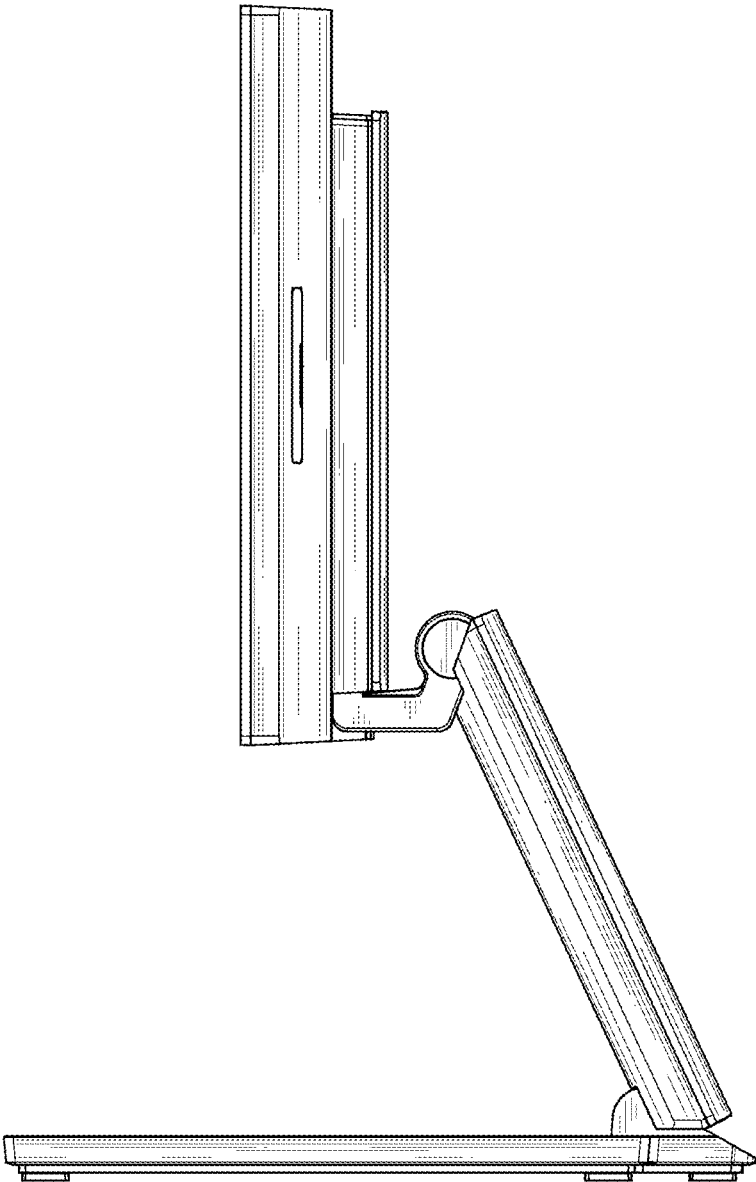


FIG. 6

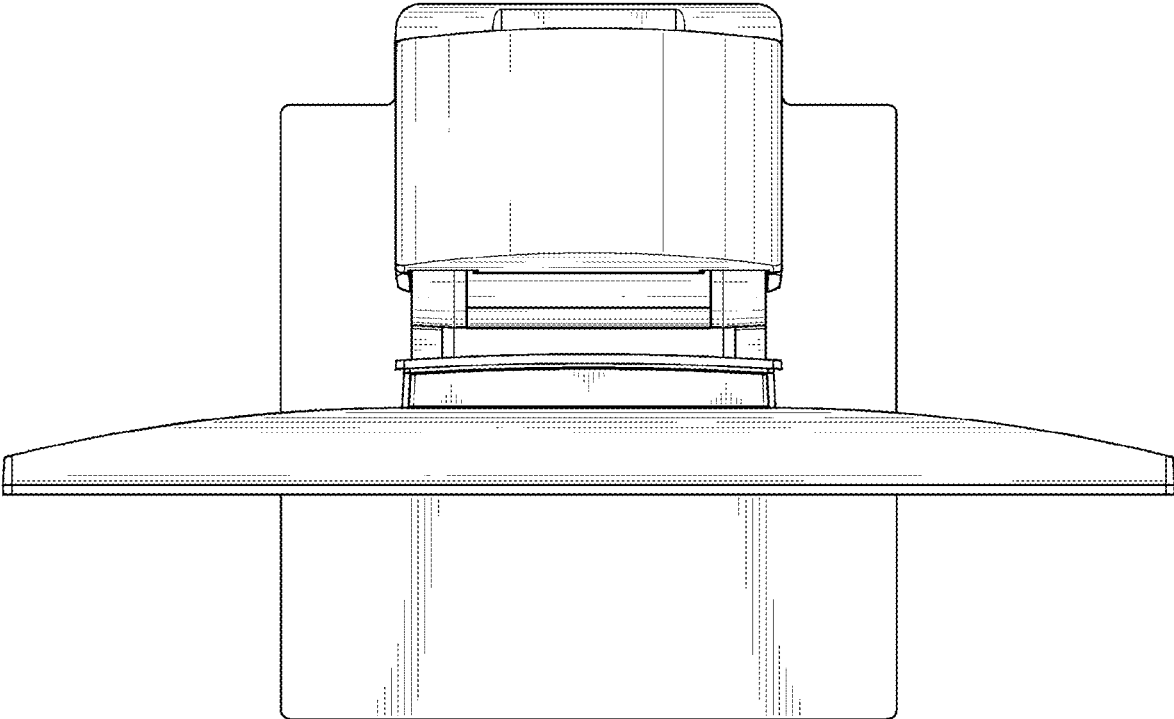


FIG. 7

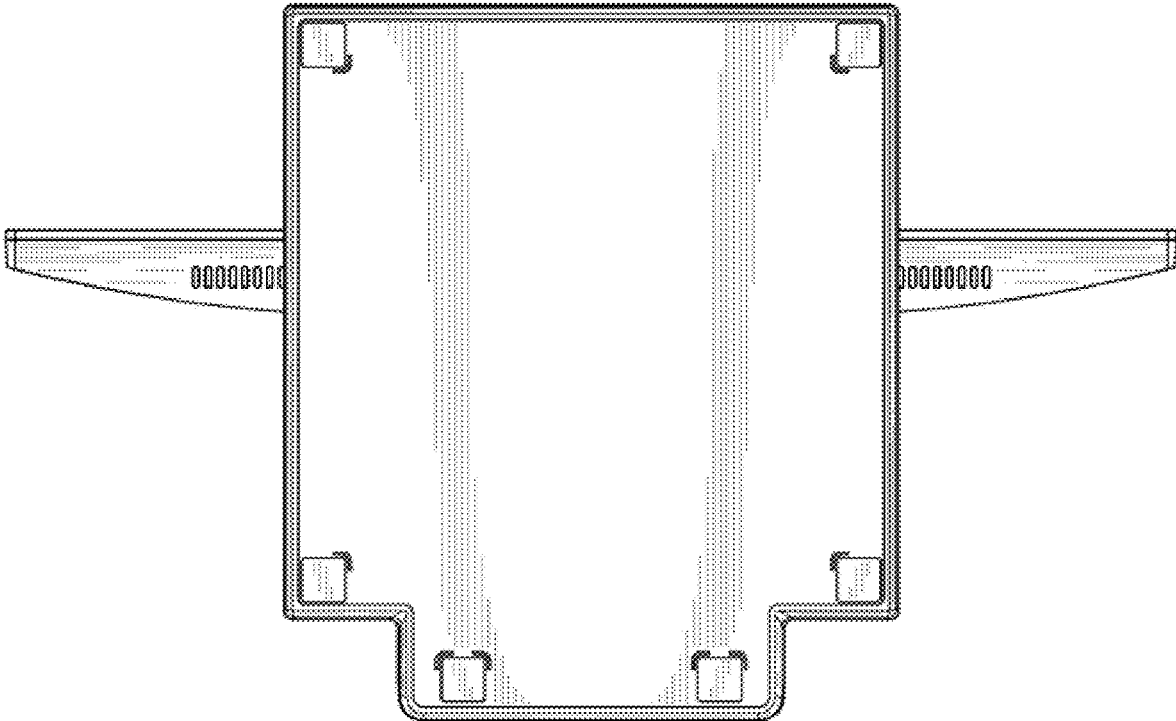


FIG. 8

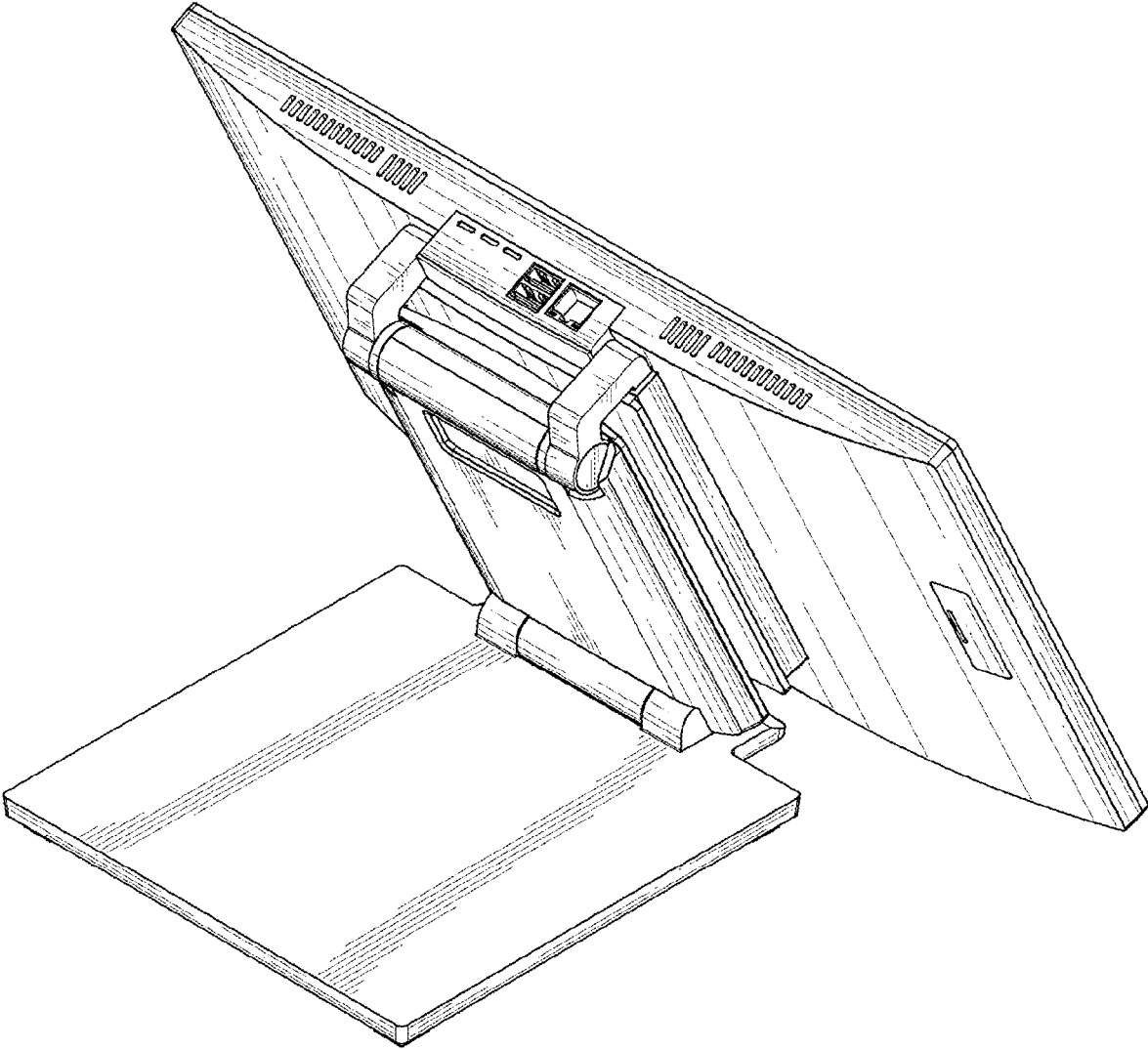


FIG. 9

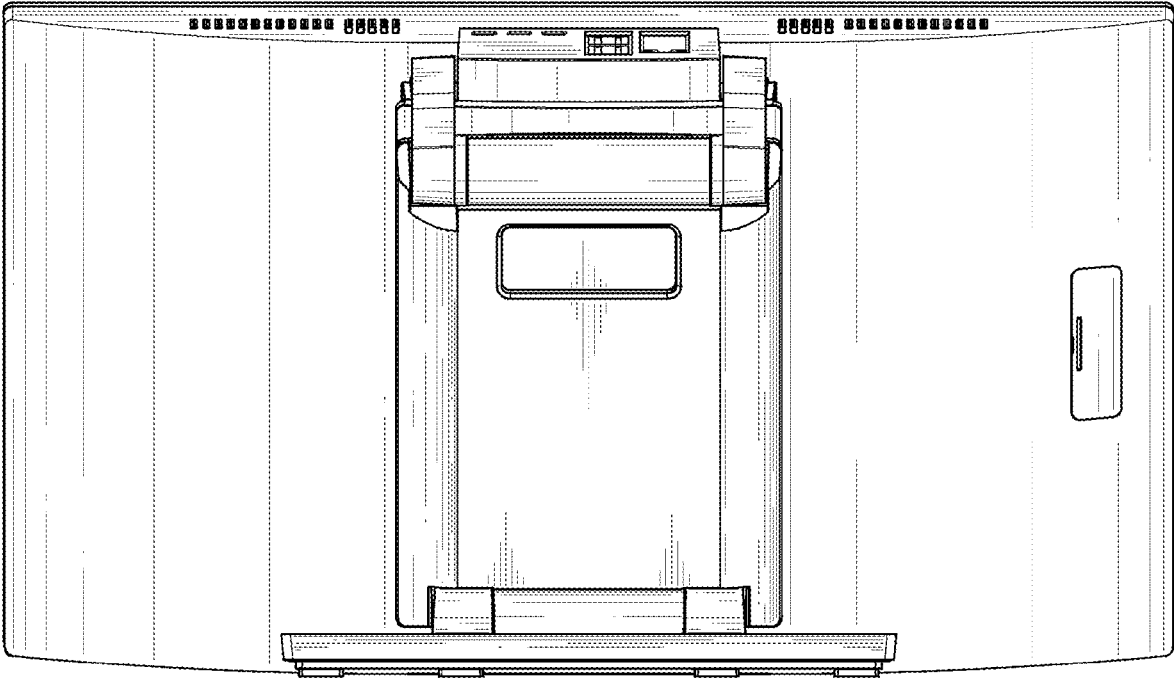


FIG. 10

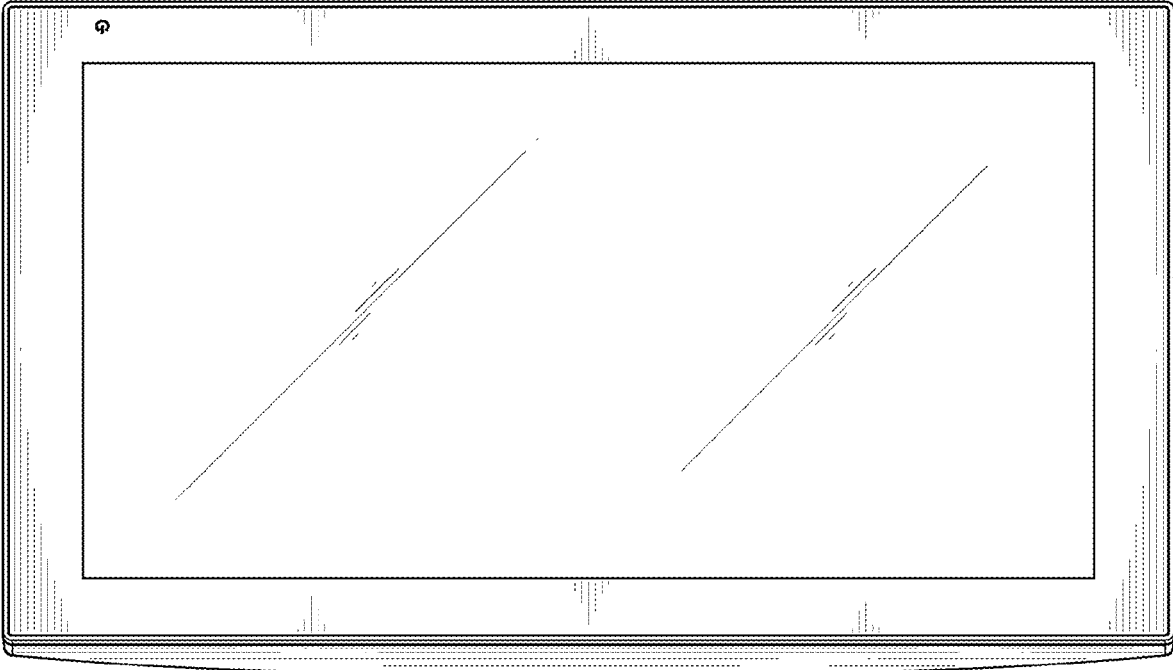


FIG. 11

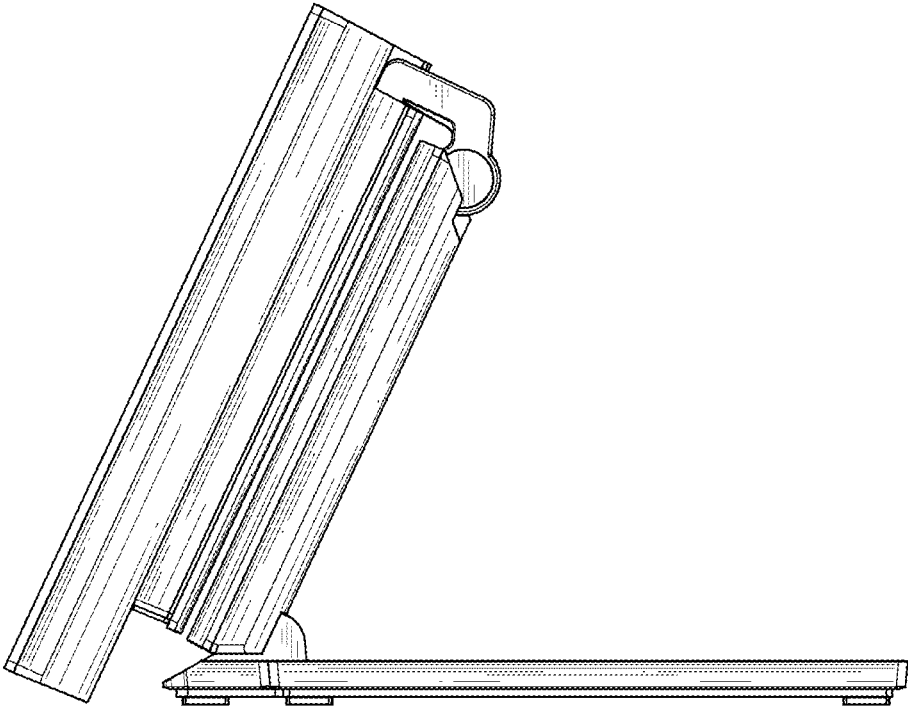


FIG. 12

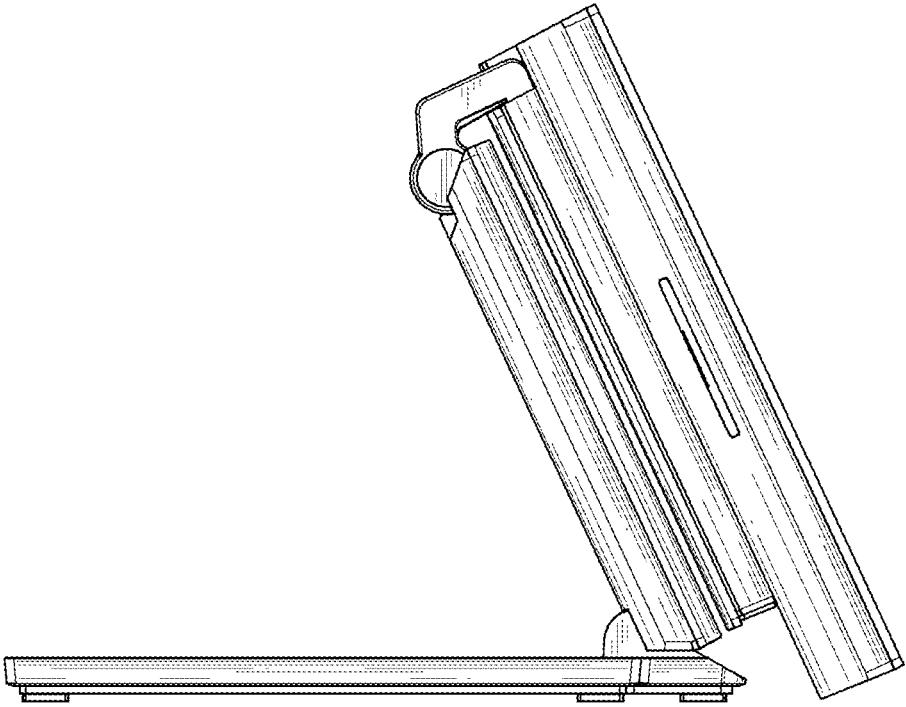


FIG. 13

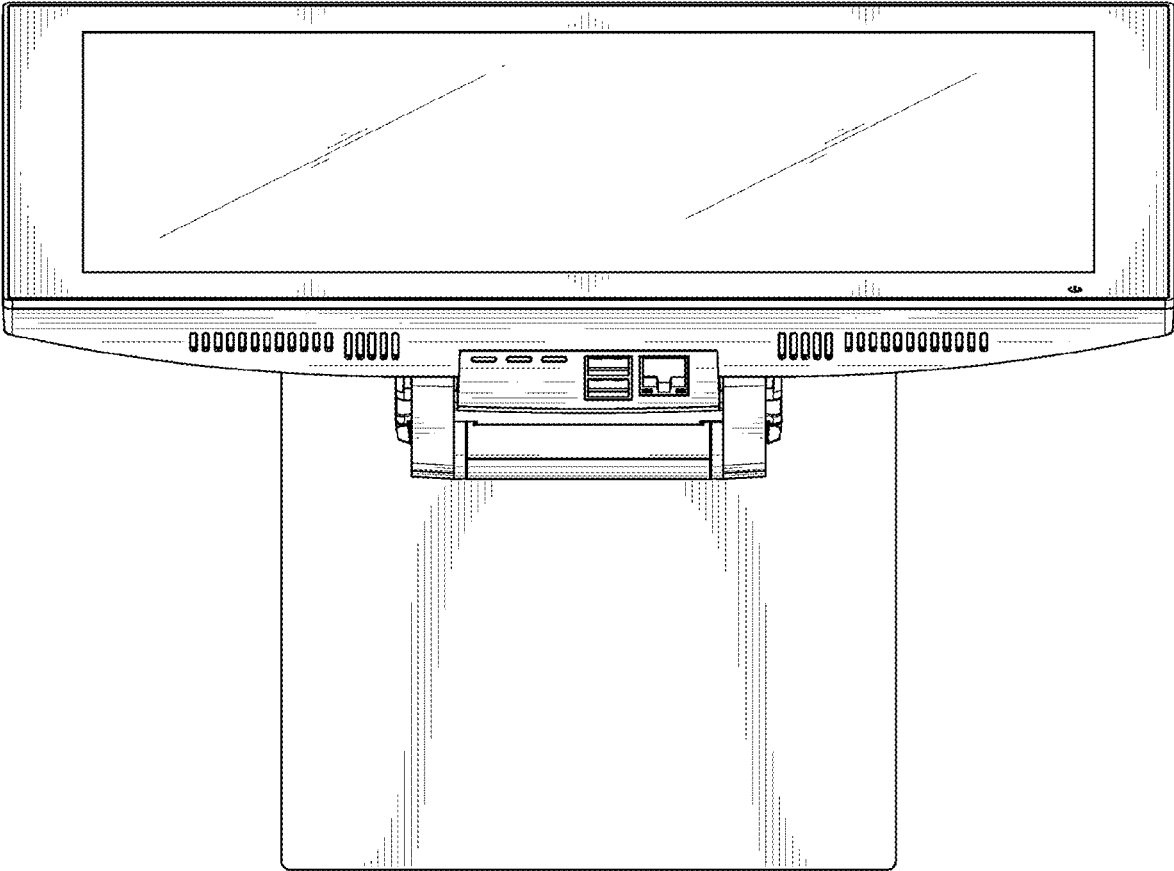


FIG. 14

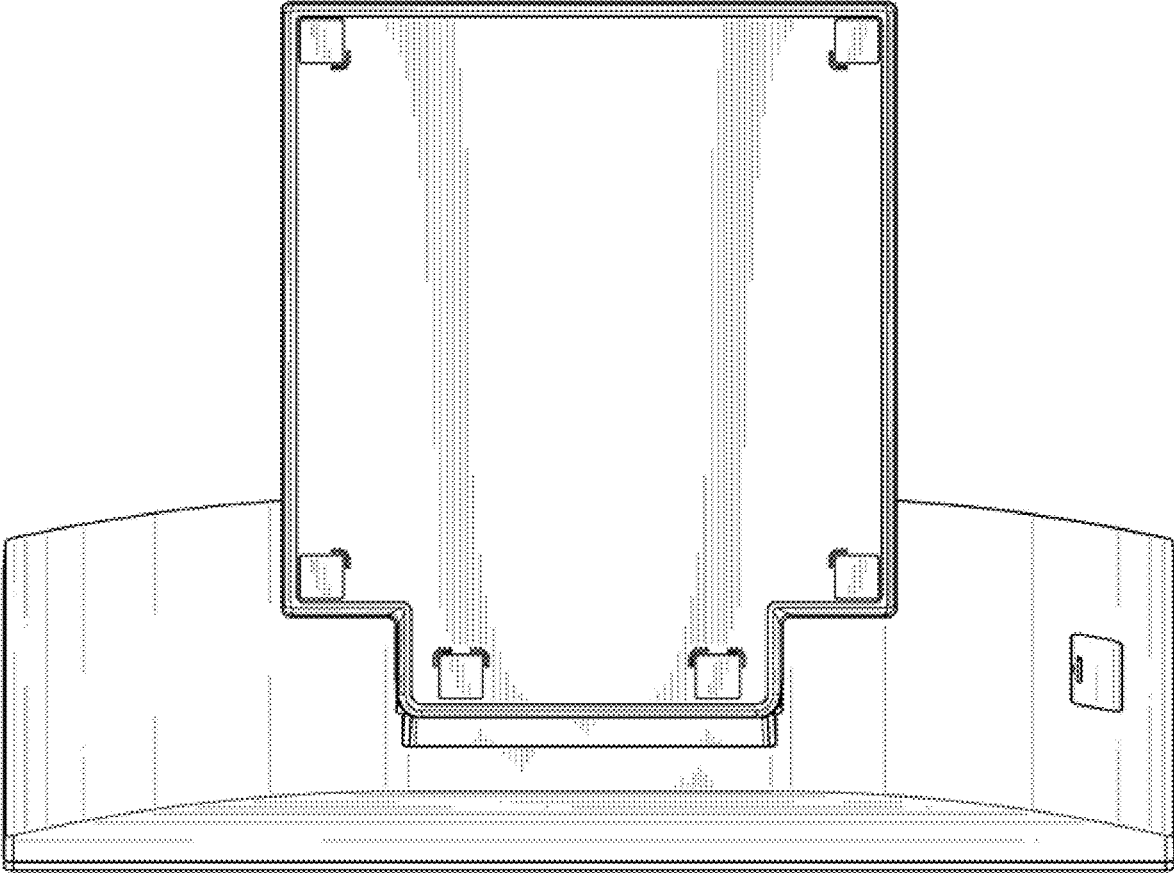


FIG. 15

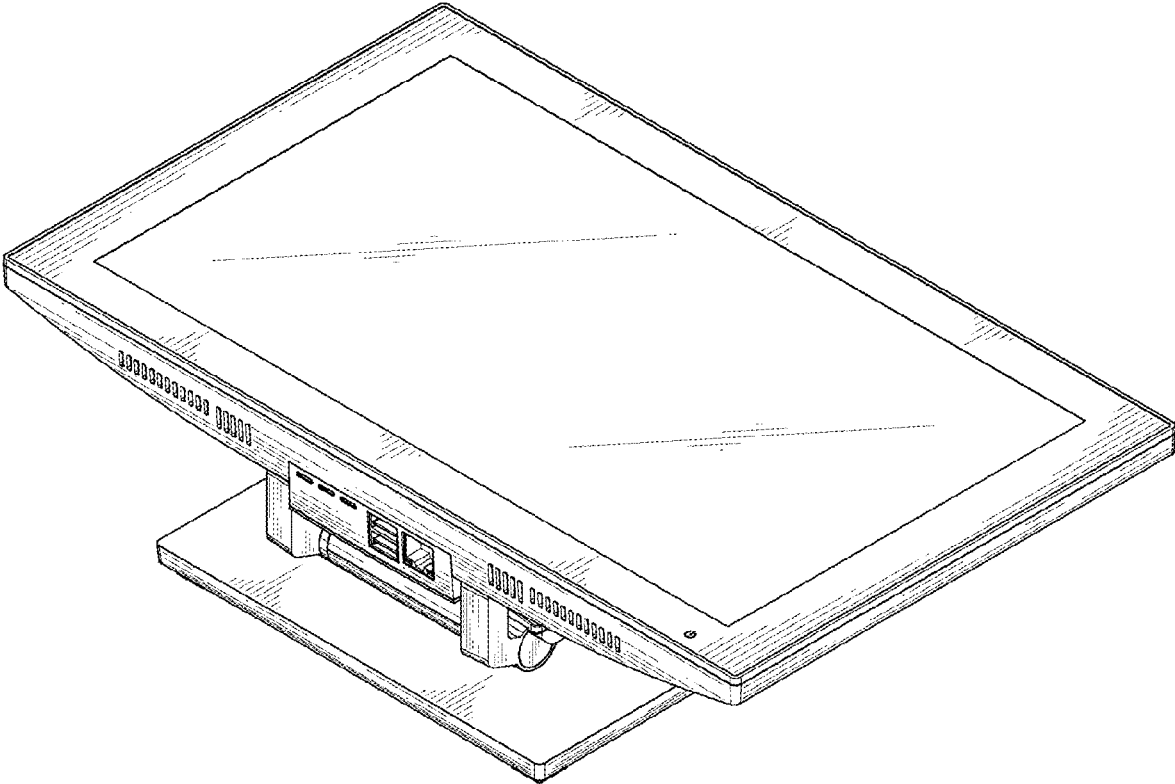


FIG. 16

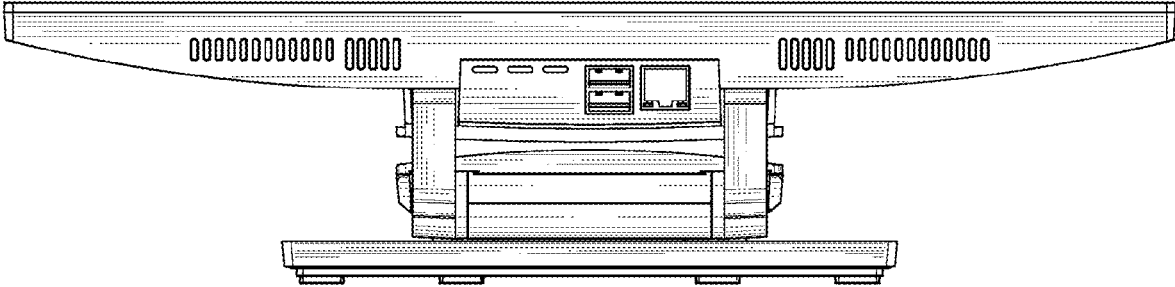


FIG. 17

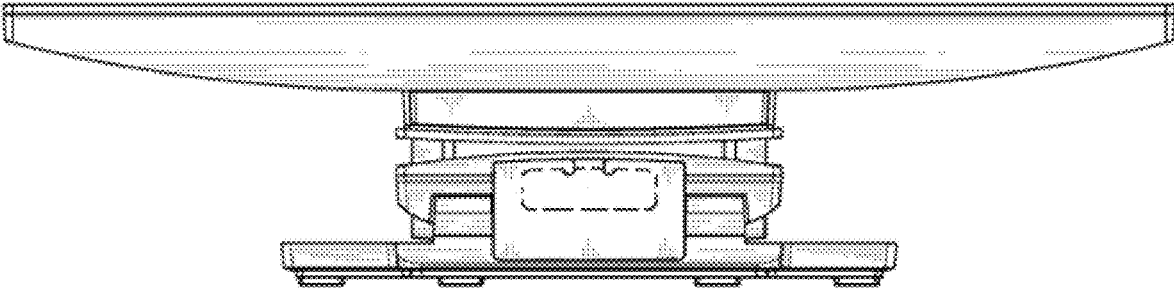


FIG. 18

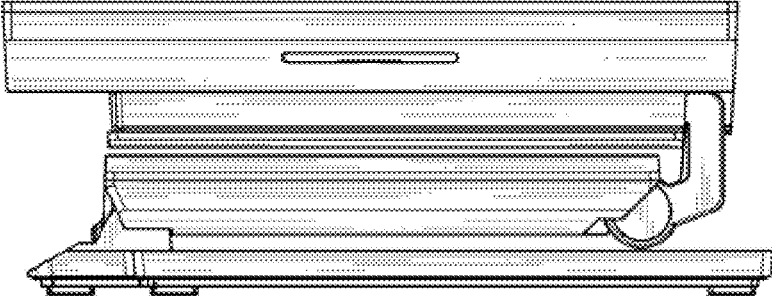


FIG. 19

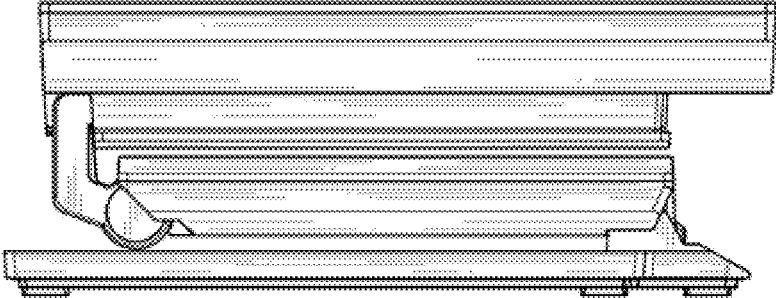


FIG. 20

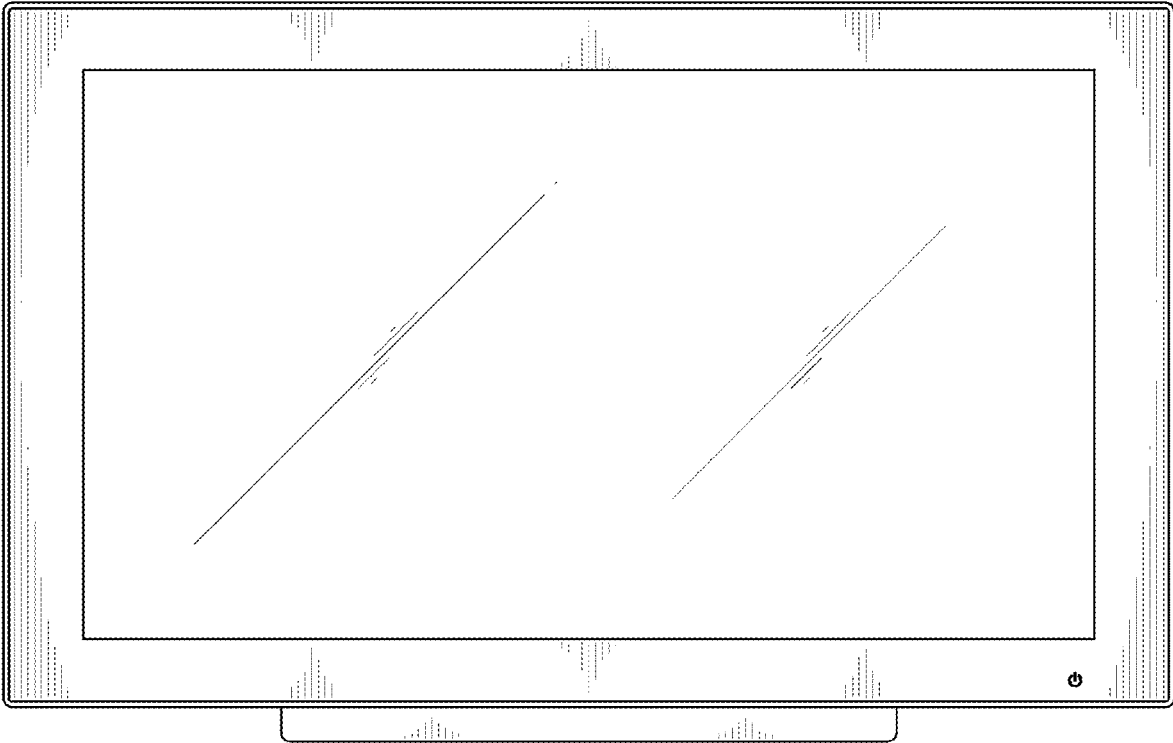


FIG. 21

