



US00D796256S

(12) **United States Design Patent**  
**Stover et al.**

(10) **Patent No.:** **US D796,256 S**

(45) **Date of Patent:** **\*\* Sep. 5, 2017**

(54) **LID FOR BEVERAGE CONTAINER**

(71) Applicant: **IGNITE USA, LLC**, Chicago, IL (US)

(72) Inventors: **Craig Stover**, Chicago, IL (US);  
**Robert C. Coon**, Chicago, IL (US);  
**Paul D. Hurley**, Libertyville, IL (US)

(73) Assignee: **IGNITE USA, LLC**, Chicago, IL (US)

(\*\*) Term: **15 Years**

(21) Appl. No.: **29/556,997**

(22) Filed: **Mar. 4, 2016**

(51) **LOC (10) Cl.** ..... **07-02**

(52) **U.S. Cl.**

USPC ..... **D7/396.2**

(58) **Field of Classification Search**

USPC .... D7/509-511, 543, 396.2, 300.2, 60, 605,  
D7/523; D9/525, 523, 530, 551, 435,  
D9/528

CPC .... A45F 3/16; A45F 3/18; A45F 22/00; A45F  
22/0583; A47G 19/22; A47G 19/2205;  
A47G 19/2288; A47G 19/2272; A47G  
19/2222; B65D 43/00; B65D 23/102;  
B65D 41/26; B65D 41/04; B65D 1/02;  
B65D 1/06

See application file for complete search history.

(56) **References Cited**

**U.S. PATENT DOCUMENTS**

6,763,964	B1 *	7/2004	Hurlbut	.....	A47G 19/2272 220/254.2
D643,245	S *	8/2011	Minarsch	.....	D7/392.1
D666,052	S *	8/2012	Trombly	.....	D7/392.1
D744,277	S *	12/2015	Kostler	.....	D7/396.2
D752,381	S *	3/2016	Wahl	.....	D7/392.1
D758,792	S *	6/2016	Karussi	.....	D7/392.1
2002/0088870	A1 *	7/2002	Banach	.....	A47G 21/18 239/33
2015/0344199	A1 *	12/2015	Chiou	.....	A47G 19/2272 220/254.7

**OTHER PUBLICATIONS**

Signature Thermal Travel Mug Slide-Tab Lid, posted at Timolino.com, no posting date given, © 2016, site visited Dec. 15, 2016, <<http://timolino.com/products/signature-thermal-travel-mug-slide-tab-lid>>.\*

(Continued)

*Primary Examiner* — Barbara Fox

*Assistant Examiner* — Messina L Smith

(74) *Attorney, Agent, or Firm* — Marshall, Gerstein & Borun LLP

(57) **CLAIM**

The ornamental design for a lid for beverage container, as shown and described.

**DESCRIPTION**

FIG. 1 is a top perspective view of a lid for beverage container, showing our new design;

FIG. 2 is a right side view of the lid for beverage container illustrated in FIG. 1;

FIG. 3 is a left side view of the lid for beverage container illustrated in FIG. 1;

FIG. 4 is a rear view of the lid for beverage container illustrated in FIG. 1;

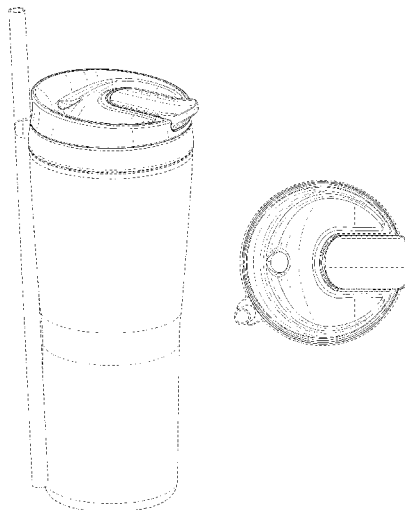
FIG. 5 is front view of the lid for beverage container illustrated in FIG. 1;

FIG. 6 is a top view of the lid for beverage container illustrated in FIG. 1; and,

FIG. 7 is a bottom view of the lid for beverage container illustrated in FIG. 1.

The broken lines shown in the drawings are included for the purpose of illustrating environmental structure and form no part of the claimed design.

**1 Claim, 6 Drawing Sheets**



(56)

**References Cited**

OTHER PUBLICATIONS

Cypress 3LTMLID Replacement Spill Proof Lid for Travel Latte Cup, Black, posted at Amazon.com, posted on Feb. 5, 2015, site visited Dec. 15, 2016, <<https://www.amazon.com/Black-Replacement-Spill-Proof-Travel-Latte/dp/B00T8IY3U>>.\*

Rambler Tumbler Straw Lid, posted at Yeti.com, no posting date given. © 2016, site visited Dec. 15, 2016, <<http://yeti.com/rambler-tumbler-straw-lid>>.\*

Travel Tumbler, Chunnuo 30 oz Coffee Mug—Double Wall Vacuum Insulated Cup—18/8 Stainless Steel Tumbler with Straw, Lid and Cover—Dual Hot and Cold, posted at Amazon.com, posted on May 10, 2016, site visited Dec. 15, 2016, <<https://www.amazon.com/Travel-Tumbler-Chunnuo-Coffee-Mug/dp/B01FFNV7TY>>.\*

\* cited by examiner

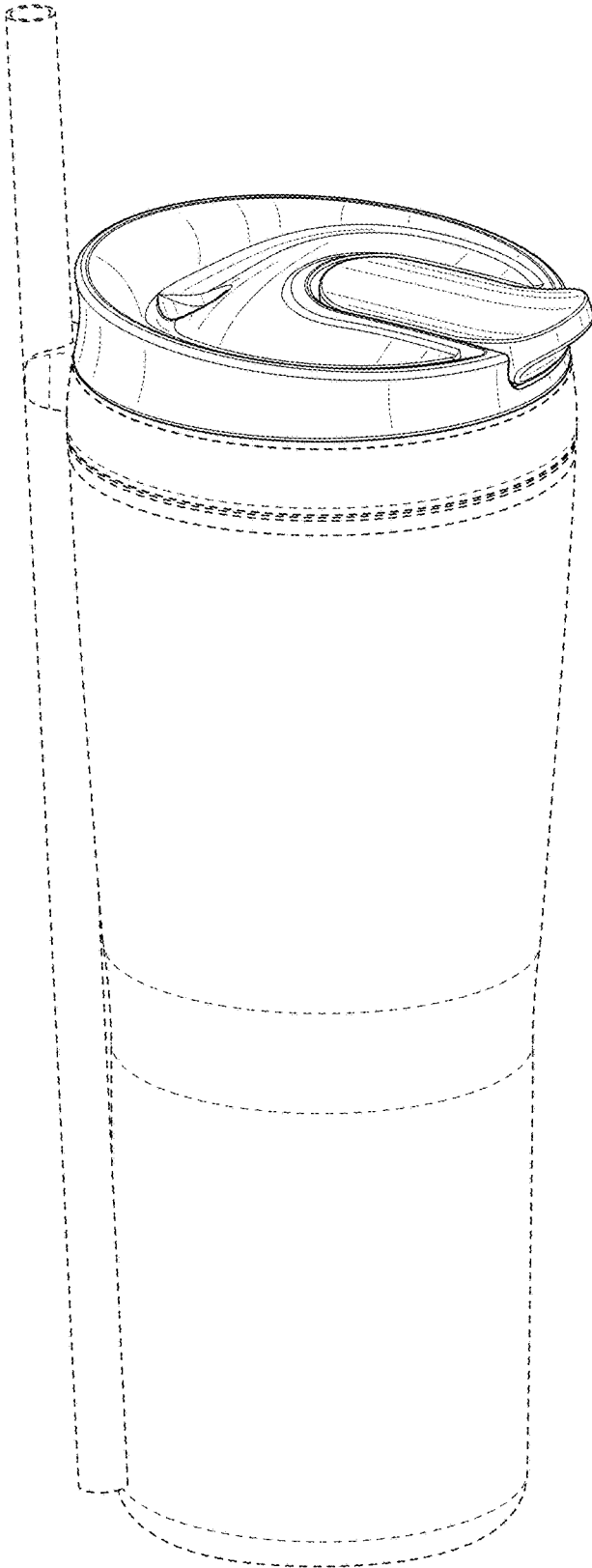


FIG. 1

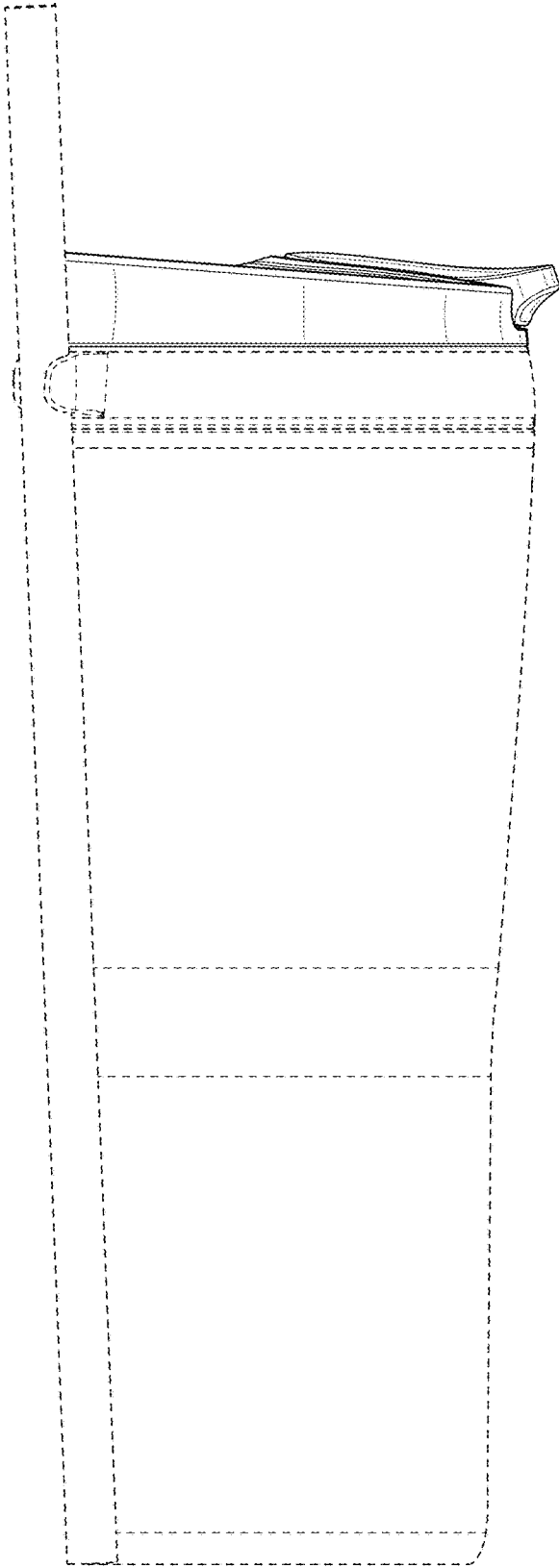


FIG. 2

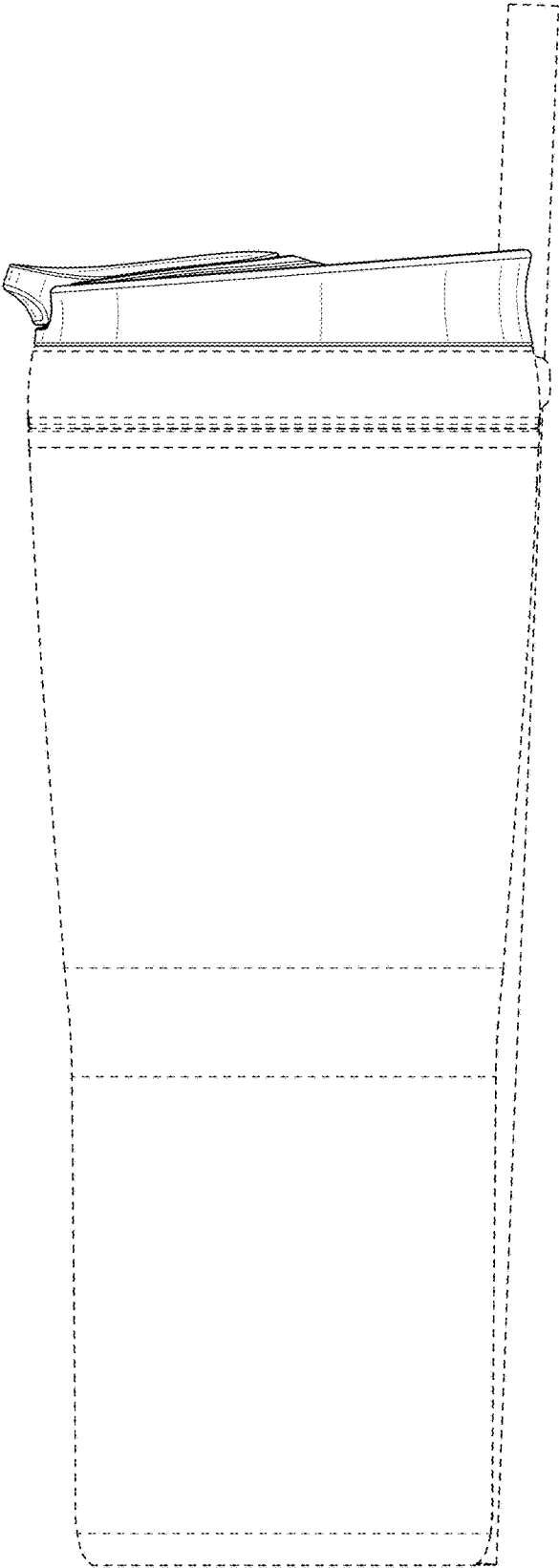


FIG. 3

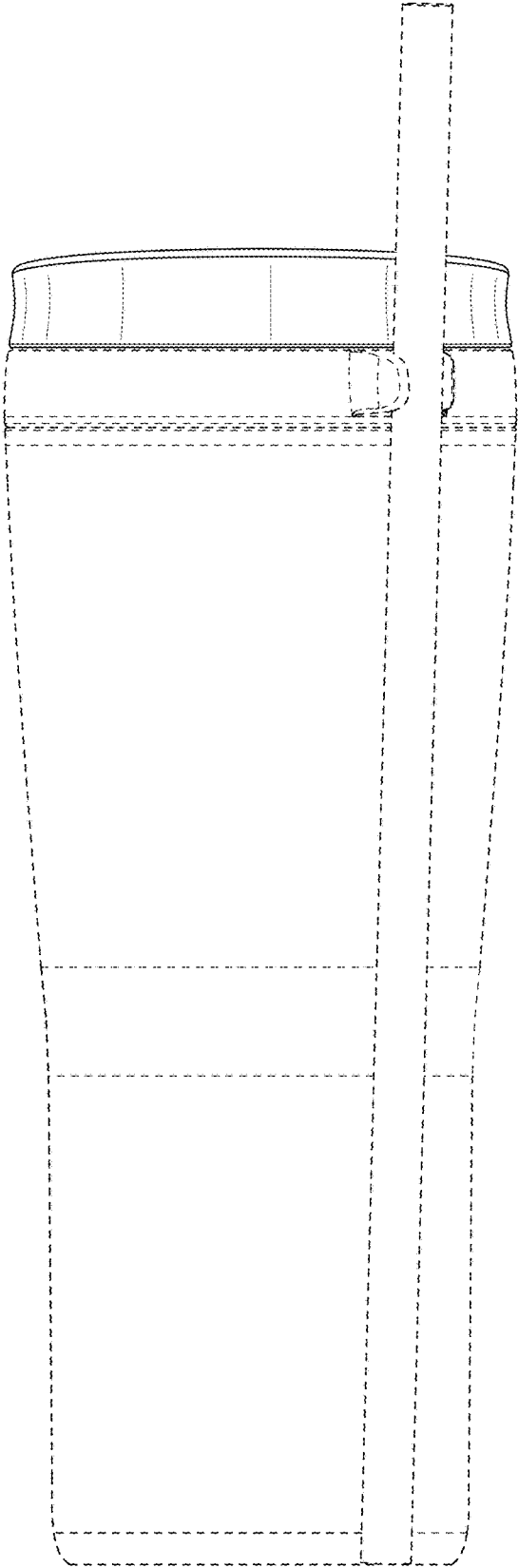


FIG. 4

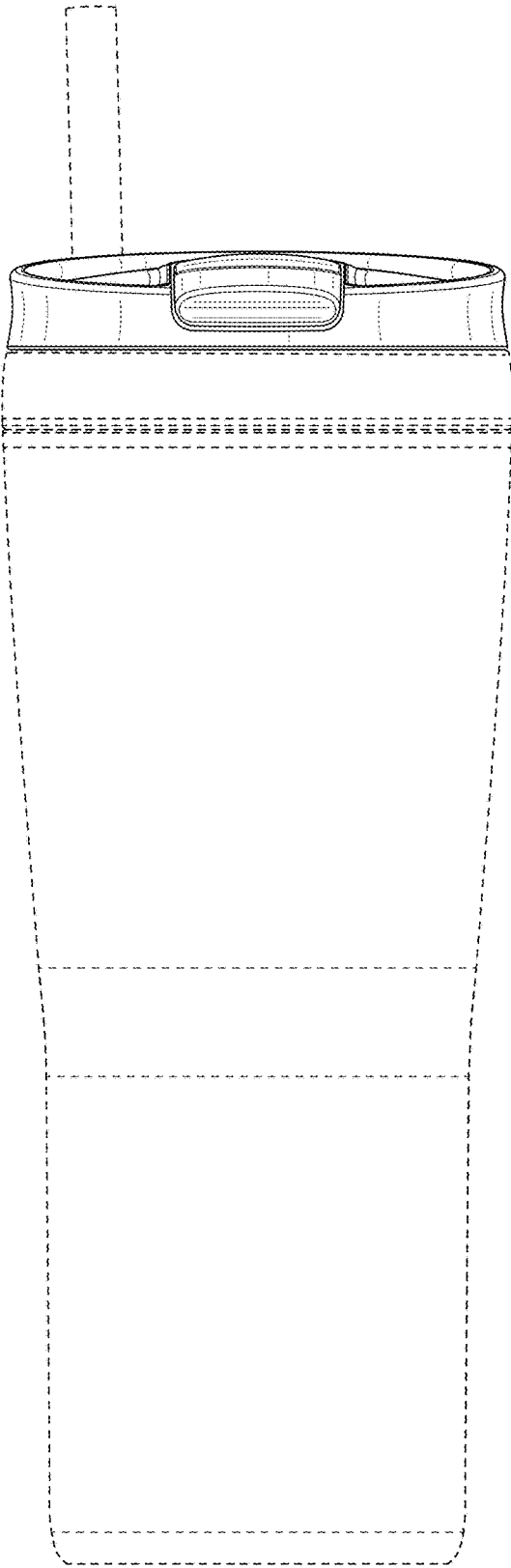


FIG. 5

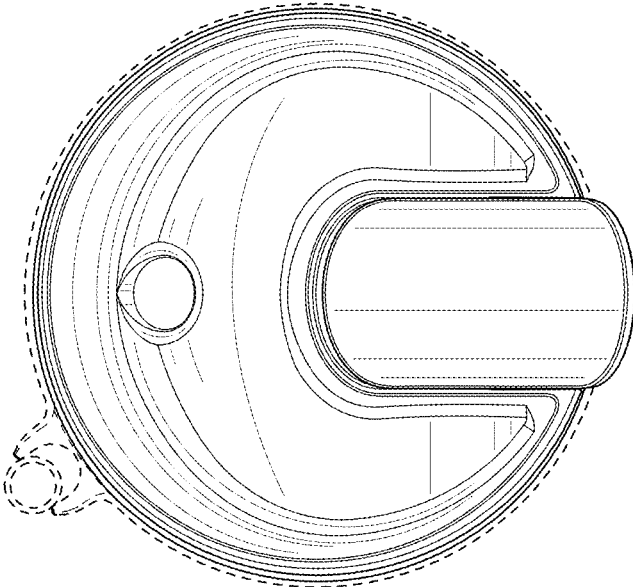


FIG. 6

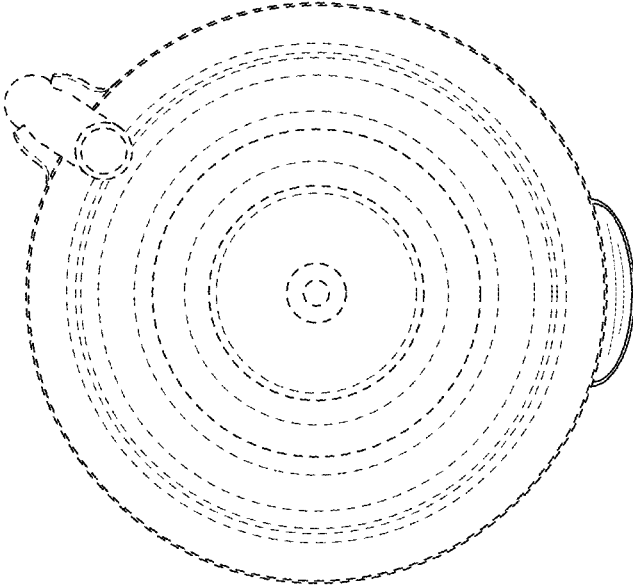


FIG. 7