



US00D984007S

(12) **United States Design Patent**
Kong

(10) **Patent No.:** **US D984,007 S**

(45) **Date of Patent:** **** Apr. 18, 2023**

(54) **LAMP**

D963,911 S * 9/2022 Chen D13/102
D965,838 S * 10/2022 Wu D26/63
D966,590 S * 10/2022 Huang D26/63

(71) Applicant: **ZHONGSHAN XIAOLAN TOWN**
YAOSHUOLI LIGHTING
FACTORY, Zhongshan (CN)

OTHER PUBLICATIONS

(72) Inventor: **Lingguo Kong, Zhongshan (CN)**

WHOUSEWE Solar Landscape Spotlight, ASIN: B08V19LBC1. Available from amazon.com Jan. 26, 2021. (Year: 2021).*
VEMOLLA Solar Spotlight, ASIN: B0B28Q31HM. Available from amazon.com Jun. 24, 2022. (Year: 2022).*
HNES Solar Spotlight, ASIN: B09TSK1KB3. Available from amazon.com Mar. 3, 2022. (Year: 2022).*

(**) Term: **15 Years**

* cited by examiner

(21) Appl. No.: **29/757,148**

(22) Filed: **Nov. 3, 2020**

(51) **LOC (14) Cl.** **26-05**

(52) **U.S. Cl.**

USPC **D26/63; D26/67**

(58) **Field of Classification Search**

USPC D26/67, 68
CPC F21S 8/02; F21S 8/032; F21S 8/036; F21S 8/081; F21S 8/083; F21S 8/088; F21S 9/02; F21S 9/035; F21S 9/03; F21S 9/037; F21V 21/0824; F21W 2111/02; F21W 2111/023; F21W 2131/109

See application file for complete search history.

Primary Examiner — Clare E Heflin

(74) *Attorney, Agent, or Firm* — Daniel M. Cohn; Howard M. Cohn

(57) **CLAIM**

The ornamental design for a lamp, as shown and described.

DESCRIPTION

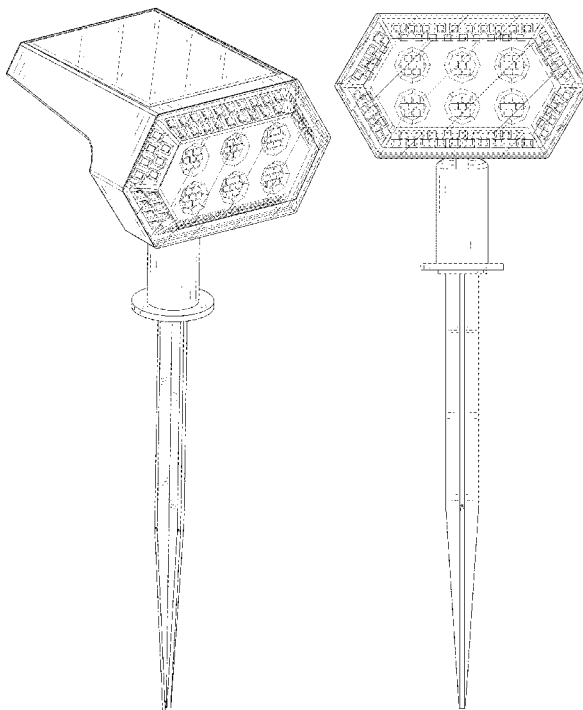
FIG. 1 is a perspective view of a lamp showing my new design;
FIG. 2 is another perspective view thereof;
FIG. 3 is a front elevational view thereof;
FIG. 4 is a rear elevational view thereof;
FIG. 5 is a left side elevational view thereof;
FIG. 6 is a right side elevational view thereof;
FIG. 7 is a top plan view thereof; and,
FIG. 8 is a bottom plan view thereof.
The broken lines in the drawings depict portions of the lamp that form no part of the claimed design.

(56) **References Cited**

U.S. PATENT DOCUMENTS

D834,231 S *	11/2018	Yu	D26/63
D921,261 S *	6/2021	Qiu	D26/67
D922,646 S *	6/2021	Huang	D26/63
D923,226 S *	6/2021	Hu	D26/63
D925,100 S *	7/2021	Hui	D26/68
D930,225 S *	9/2021	Jiang	D26/68
D930,889 S *	9/2021	Liu	D26/68
D963,224 S *	9/2022	Wu	D26/63

1 Claim, 8 Drawing Sheets



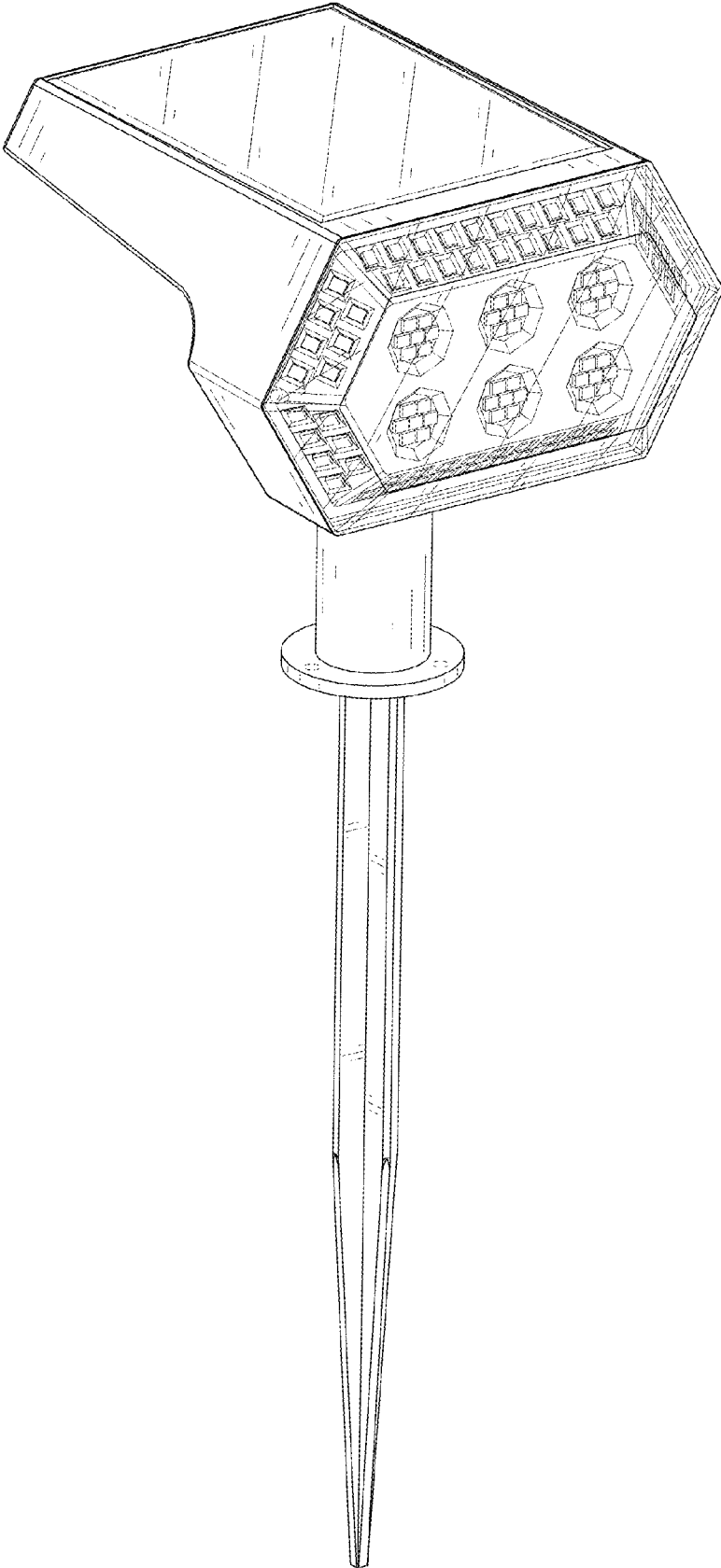


FIG. 1

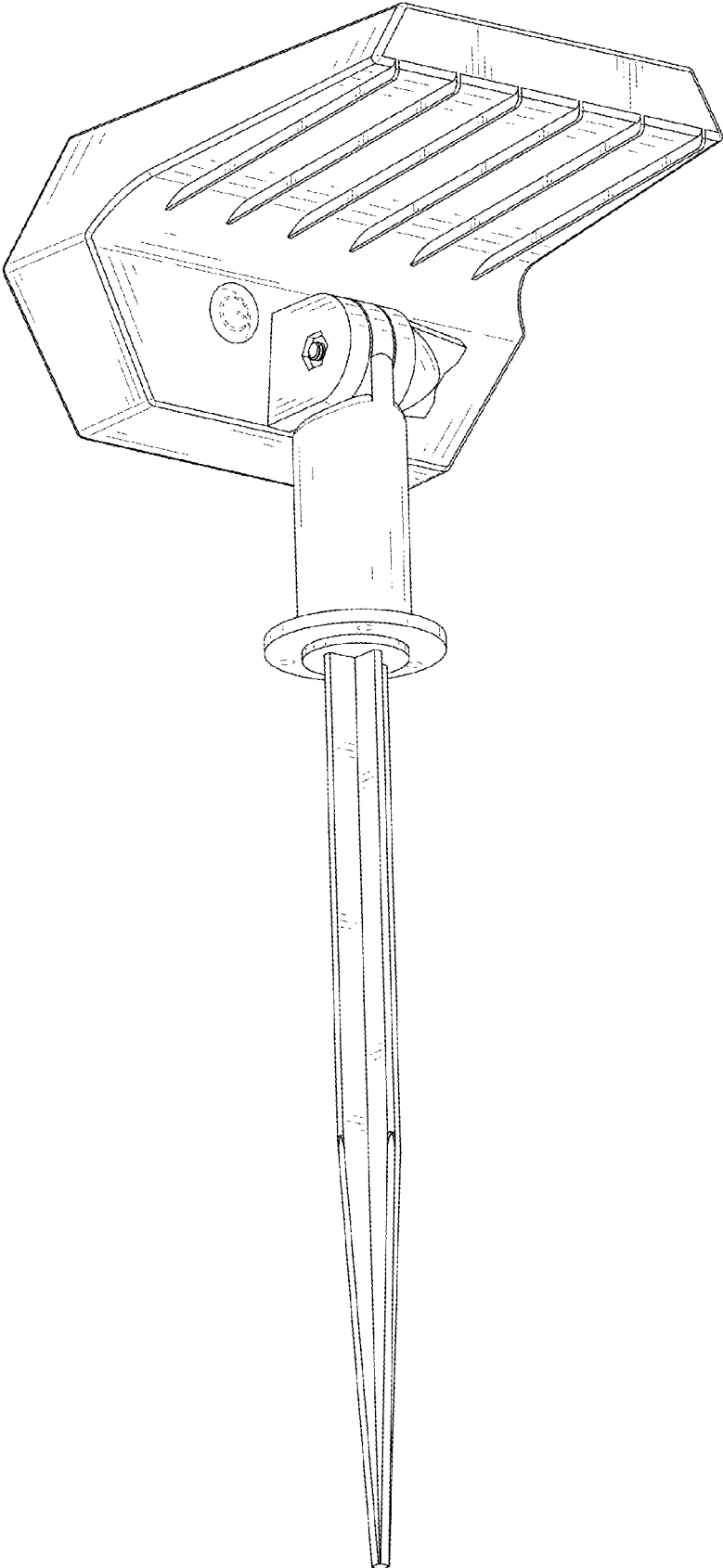


FIG. 2

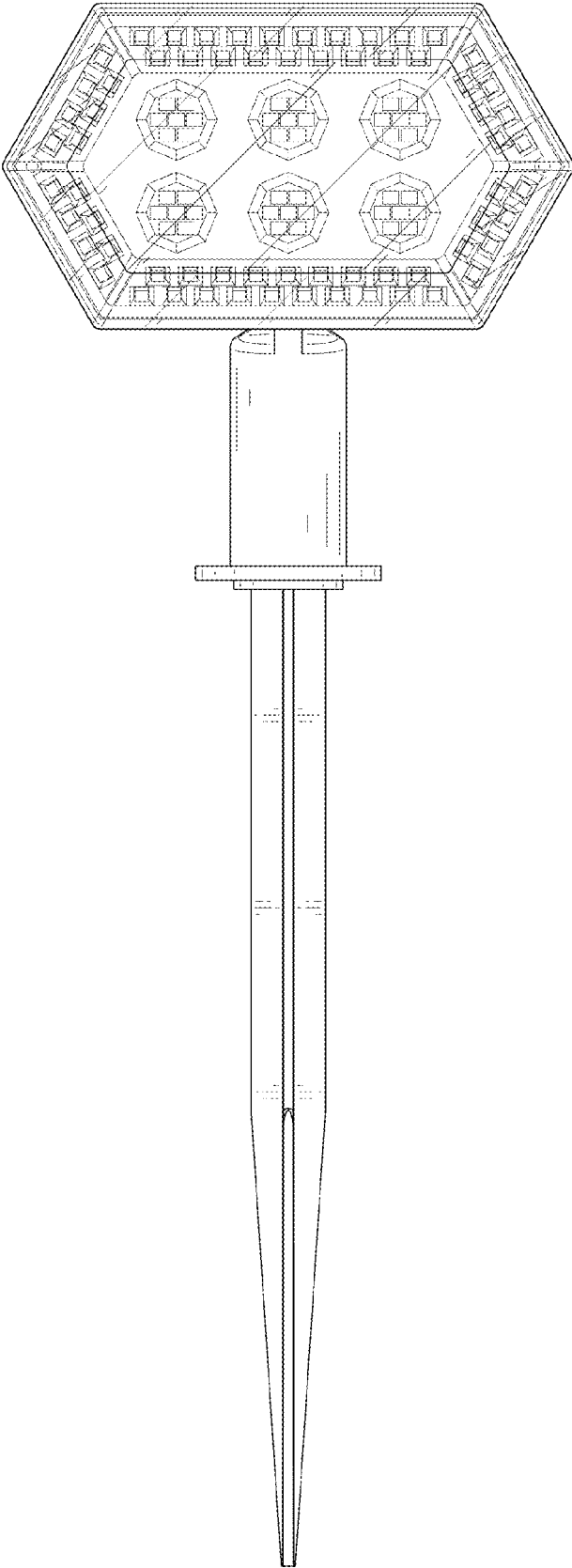


FIG. 3

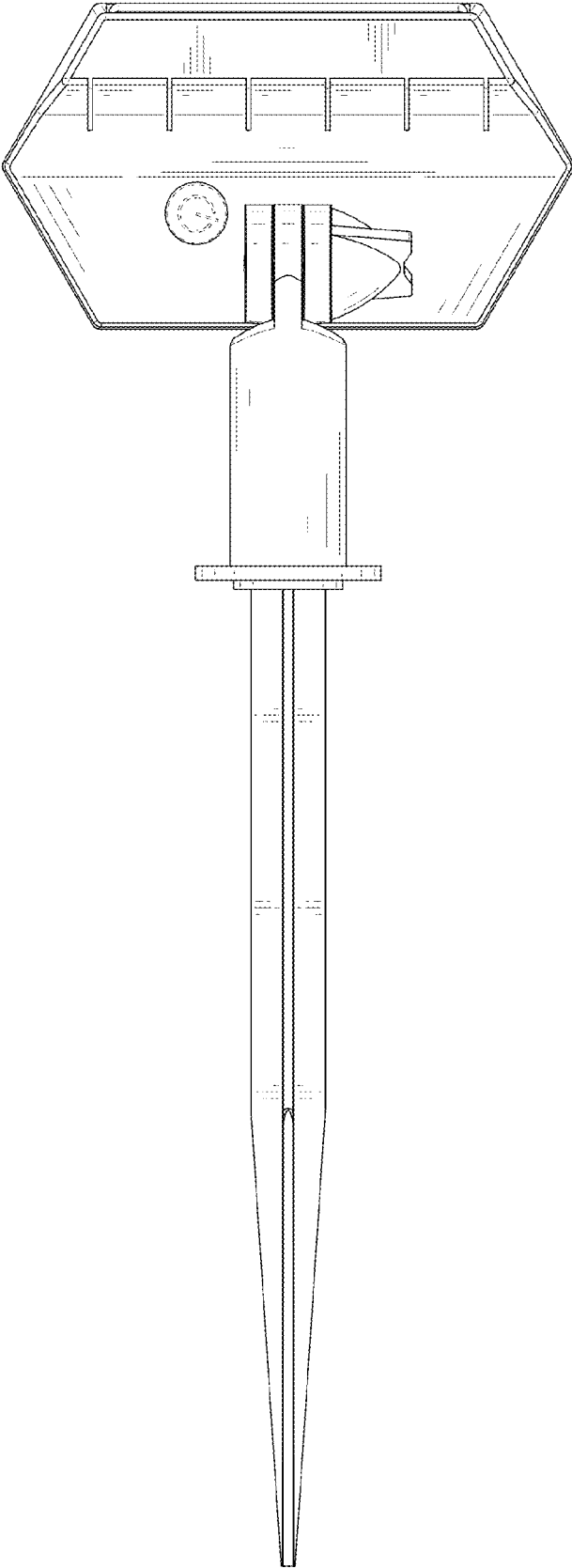


FIG. 4

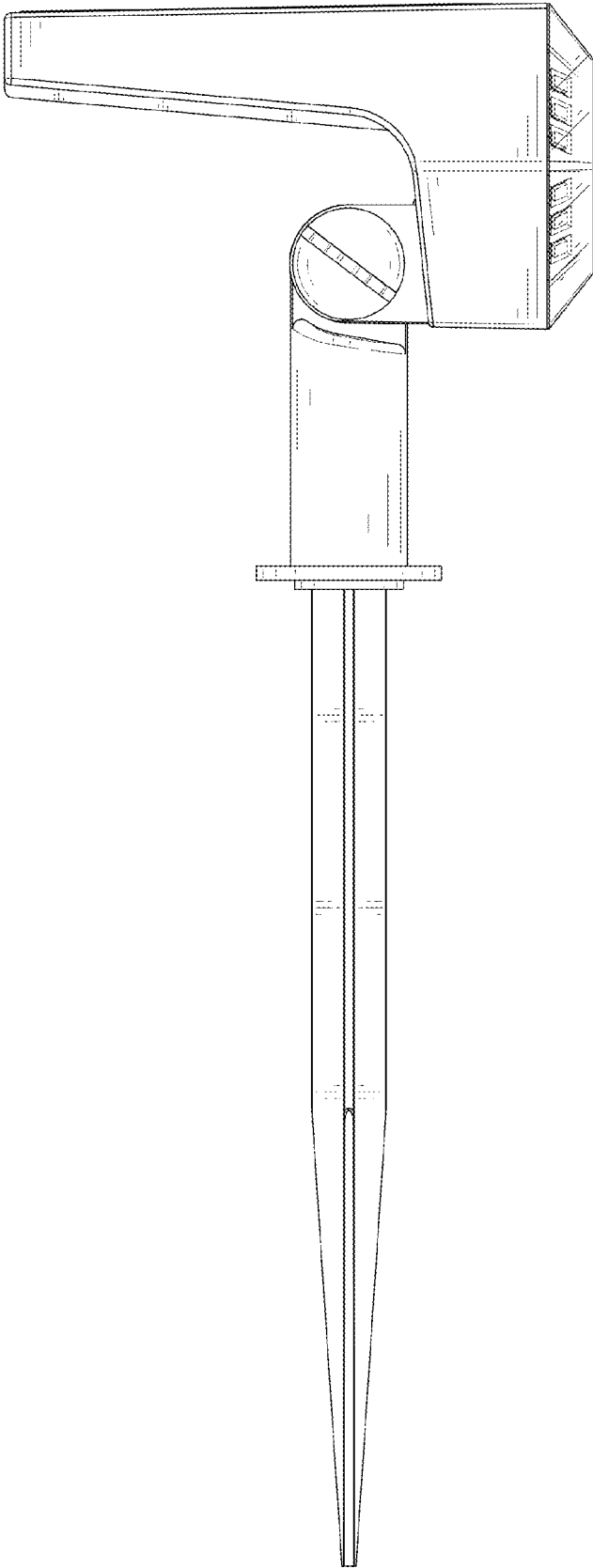


FIG. 5

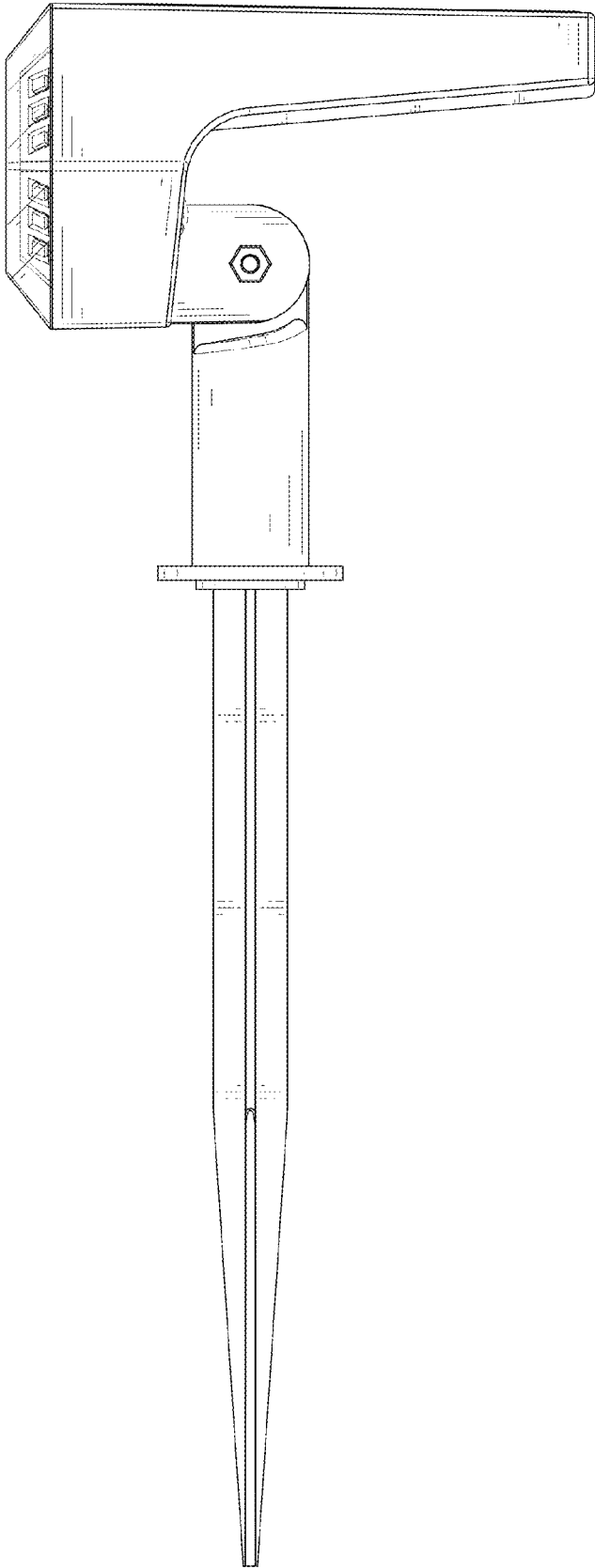


FIG. 6

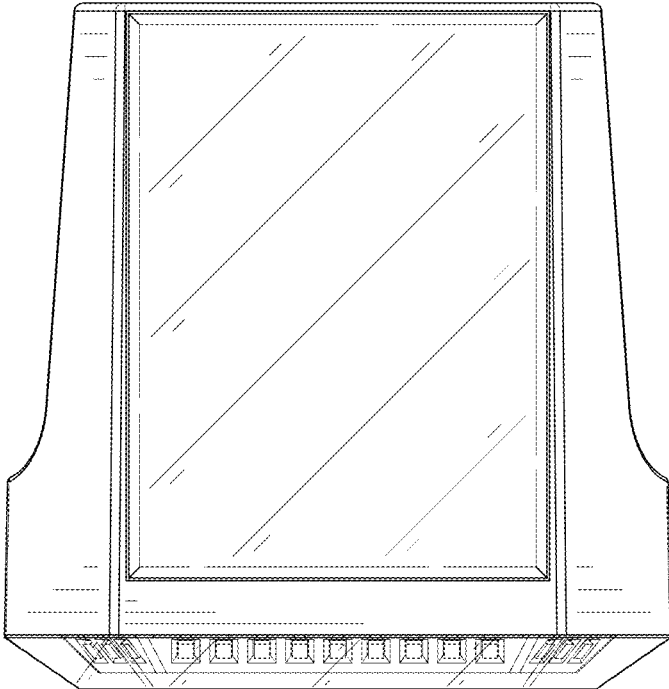


FIG. 7

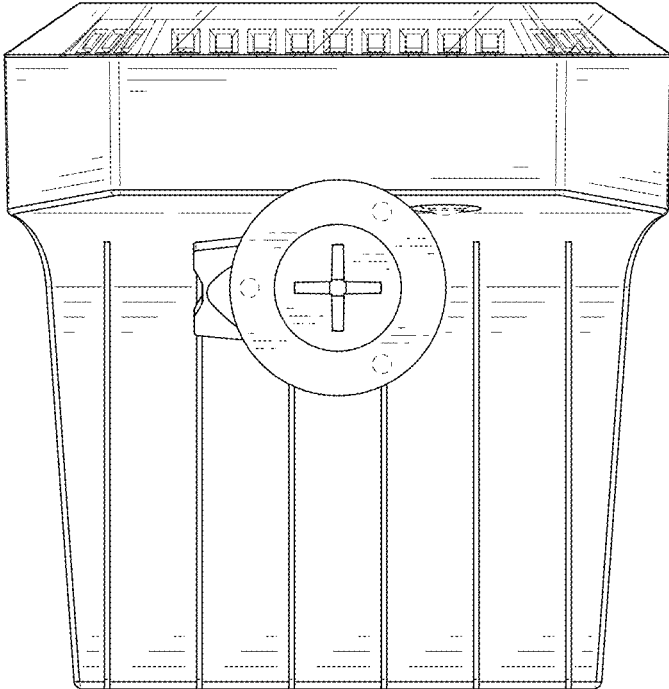


FIG. 8