



US00D733088S

(12) **United States Design Patent**
Garneau et al.

(10) **Patent No.:** **US D733,088 S**

(45) **Date of Patent:** **** Jun. 30, 2015**

(54) **JUKEBOX STAND**

(71) Applicant: **TouchTunes Music Corporation**, New York, NY (US)

(72) Inventors: **Charles Garneau**, Bois-des-Filion (CA); **Benoit Tessier**, Boisbriand (CA); **Ed Rivera**, New York, NY (US); **Michael Tooker**, Montreal (CA); **Jinseok Hwang**, Palisades Park, NJ (US); **Jonas Damon**, New York, NY (US)

(73) Assignee: **TouchTunes Music Corporation**, New York, NY (US)

(**) Term: **14 Years**

(21) Appl. No.: **29/486,234**

(22) Filed: **Mar. 27, 2014**

Related U.S. Application Data

(62) Division of application No. 29/461,532, filed on Jul. 24, 2013, now Pat. No. Des. 704,160, which is a division of application No. 29/446,838, filed on Feb. 27, 2013, now Pat. No. Des. 689,461, which is a division of application No. 29/433,240, filed on Sep. 27, 2012, now abandoned, which is a division of application No. 29/401,854, filed on Sep. 16, 2011, now Pat. No. Des. 670,675.

(51) **LOC (10) Cl.** **14-01**

(52) **U.S. Cl.**
USPC **D14/172; D21/325**

(58) **Field of Classification Search**
USPC D14/172, 173, 203.1-203.7, 496, 188, D14/265; D21/324, 325, 369; 273/148 B; 463/1, 28-35, 46, 47; 369/1, 6-12, 369/24.01, 30.06, 30.07, 30.08, 30.23; 710/1; 711/100, 111

See application file for complete search history.

(56) **References Cited**

U.S. PATENT DOCUMENTS

D146,176 S	1/1947	Fuller	
D152,903 S	3/1949	Principe	
3,193,296 A *	7/1965	Rockola	369/192.1
D220,807 S	5/1971	Sunderberg	
3,878,631 A	4/1975	Mileham	
D240,266 S	6/1976	O'Neil et al.	
4,336,935 A	6/1982	Goldfarb	
D280,747 S	9/1985	Stasney	
D312,639 S	12/1990	Krakauer et al.	
D316,858 S	5/1991	Gobindram	
5,031,340 A	7/1991	Hilgarth	

(Continued)

OTHER PUBLICATIONS

Design U.S. Appl. No. 29/458,293, filed Jun. 18, 2013, Garneau et al.

(Continued)

Primary Examiner — Prabhakar Deshmukh

(74) *Attorney, Agent, or Firm* — Nixon & Vanderhye PC

(57) **CLAIM**

The ornamental design for a jukebox stand, as shown and described.

DESCRIPTION

FIG. 1 is a front perspective view of a jukebox stand showing our new design;

FIG. 2 is a front elevation view thereof;

FIG. 3 is a rear elevation view thereof;

FIG. 4 is a top plan view thereof;

FIG. 5 is a bottom plan view thereof;

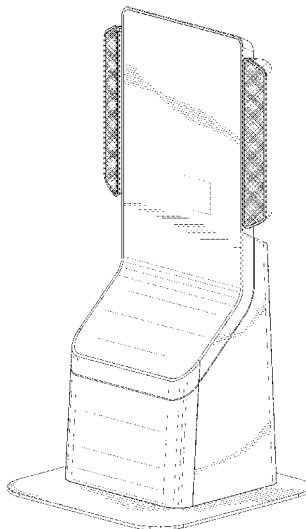
FIG. 6 is a right side elevation view thereof;

FIG. 7 is a left side elevation view thereof; and,

FIG. 8 is a rear perspective view thereof.

The broken lines indicate unclaimed portions and form no part of the claimed design.

1 Claim, 7 Drawing Sheets



(56)

References Cited

U.S. PATENT DOCUMENTS

D324,240 S 2/1992 Huang
 D327,687 S 7/1992 Arbitter
 D328,202 S 7/1992 Tippit
 D329,852 S 9/1992 Lee
 5,146,618 A 9/1992 Wenner
 D334,191 S 3/1993 Yun
 D335,676 S * 5/1993 Szybura D15/144
 D340,407 S 10/1993 Rahe et al.
 5,281,898 A 1/1994 Albright
 5,331,614 A 7/1994 Ogawa et al.
 D355,676 S 2/1995 Wilson
 D356,079 S 3/1995 Oba
 5,630,357 A 5/1997 Akiyama
 5,651,681 A 7/1997 Chan
 D381,983 S 8/1997 Nagai
 5,667,632 A 9/1997 Burton et al.
 5,704,146 A * 1/1998 Herring et al. 40/509
 D390,843 S 2/1998 Rosen
 5,771,778 A 6/1998 MacLean, IV
 D397,335 S 8/1998 Matsushita
 5,813,914 A 9/1998 McKay et al.
 5,820,460 A 10/1998 Fulton
 5,851,147 A 12/1998 Stupak et al.
 D405,781 S 2/1999 Renk
 D405,791 S 2/1999 Menke et al.
 D408,410 S 4/1999 Zeitman
 5,951,397 A 9/1999 Dickinson
 D419,606 S 1/2000 Toriyama
 6,041,023 A 3/2000 Lakhansingh
 6,048,271 A 4/2000 Barcelou
 D425,508 S 5/2000 Fiebel et al.
 D426,527 S 6/2000 Sakaguchi
 6,079,985 A 6/2000 Wohl et al.
 D428,062 S 7/2000 Hayashi
 6,086,380 A 7/2000 Chu et al.
 D439,931 S 4/2001 Yamaguchi
 D442,152 S 5/2001 Roustaei
 D449,346 S 10/2001 Gatto et al.
 D451,968 S 12/2001 Sano
 6,346,951 B1 2/2002 Mastronardi
 D458,971 S 6/2002 Stephan
 D459,336 S 6/2002 Ito et al.

6,430,117 B2 8/2002 Zimmer
 D463,503 S 9/2002 Stephan
 6,461,239 B1 10/2002 Sagawa et al.
 6,508,707 B2 1/2003 DeMar et al.
 D475,029 S 5/2003 Nathan
 6,708,812 B2 3/2004 Greim
 6,714,489 B2 * 3/2004 Kalis et al. 369/30.06
 D494,188 S 8/2004 Huang
 6,779,904 B1 8/2004 Van Dyk
 D495,755 S 9/2004 Wurz et al.
 D498,558 S 11/2004 Kwok
 D499,083 S 11/2004 Tanaka
 6,846,238 B2 1/2005 Wells
 D510,584 S 10/2005 Tierney
 6,976,623 B1 12/2005 Mambakkam et al.
 D524,287 S 7/2006 Hibi
 7,152,739 B1 12/2006 Burleson
 D546,893 S 7/2007 Yamashita
 D547,299 S 7/2007 Obata
 D560,651 S 1/2008 Berkheimer et al.
 D590,449 S 4/2009 Ishii et al.
 D604,774 S 11/2009 De Viveiros Ortiz
 D605,231 S 12/2009 Hashimoto
 D616,414 S 5/2010 Nathan et al.
 D617,389 S 6/2010 Wildner et al.
 D618,285 S 6/2010 Ichimura et al.
 D619,177 S 7/2010 Lee
 D619,659 S 7/2010 Damani
 D629,382 S 12/2010 Nathan et al.
 D642,553 S 8/2011 Nathan et al.
 D654,470 S 2/2012 Nathan et al.
 D662,487 S 6/2012 Nathan et al.
 D665,375 S * 8/2012 Garneau et al. D14/173
 D670,675 S 11/2012 Garneau et al.
 D686,591 S 7/2013 Garneau et al.
 D689,461 S 9/2013 Garneau et al.
 D704,160 S 5/2014 Garneau et al.

OTHER PUBLICATIONS

Design U.S. Appl. No. 29/477,654, filed Dec. 24, 2013, Tooker et al.
 Design U.S. Appl. No. 29/433,240, filed Sep. 27, 2012, Garneau et al.
 Design U.S. Appl. No. 29/446,838, filed Feb. 27, 2013, Garneau et al.
 Design U.S. Appl. No. 29/461,532, filed Jul. 24, 2013, Garneau et al.

* cited by examiner

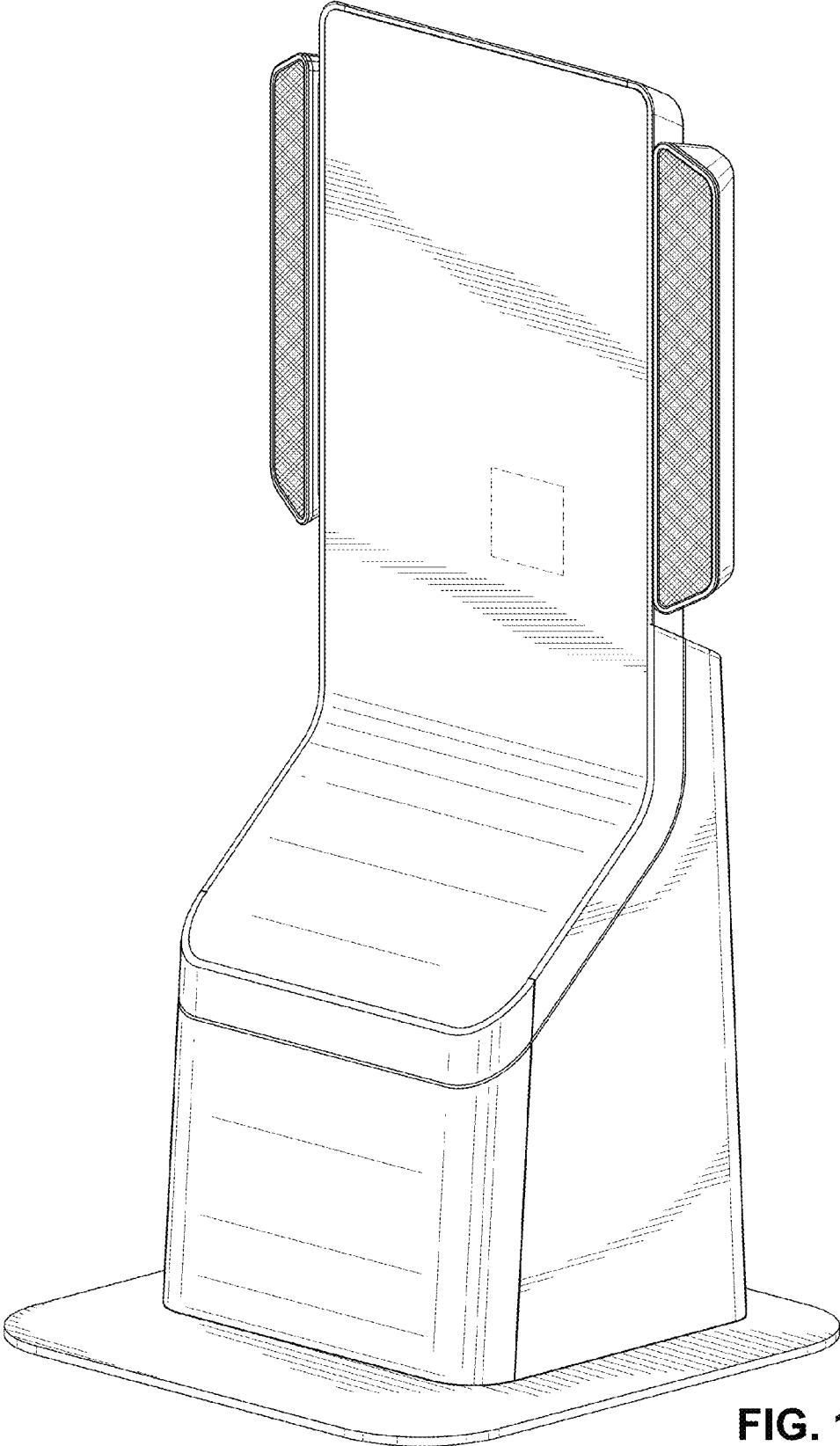


FIG. 1

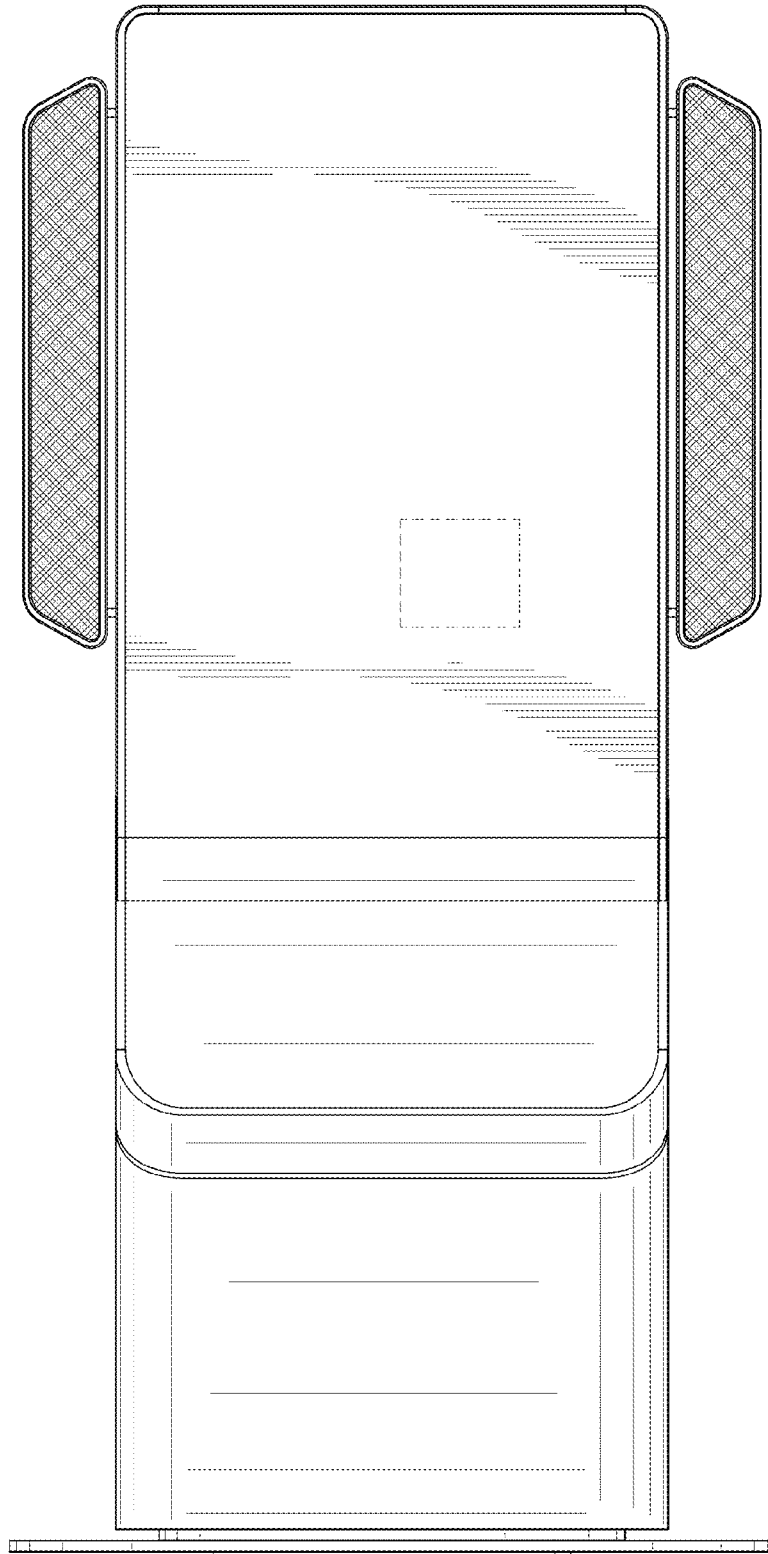


FIG. 2

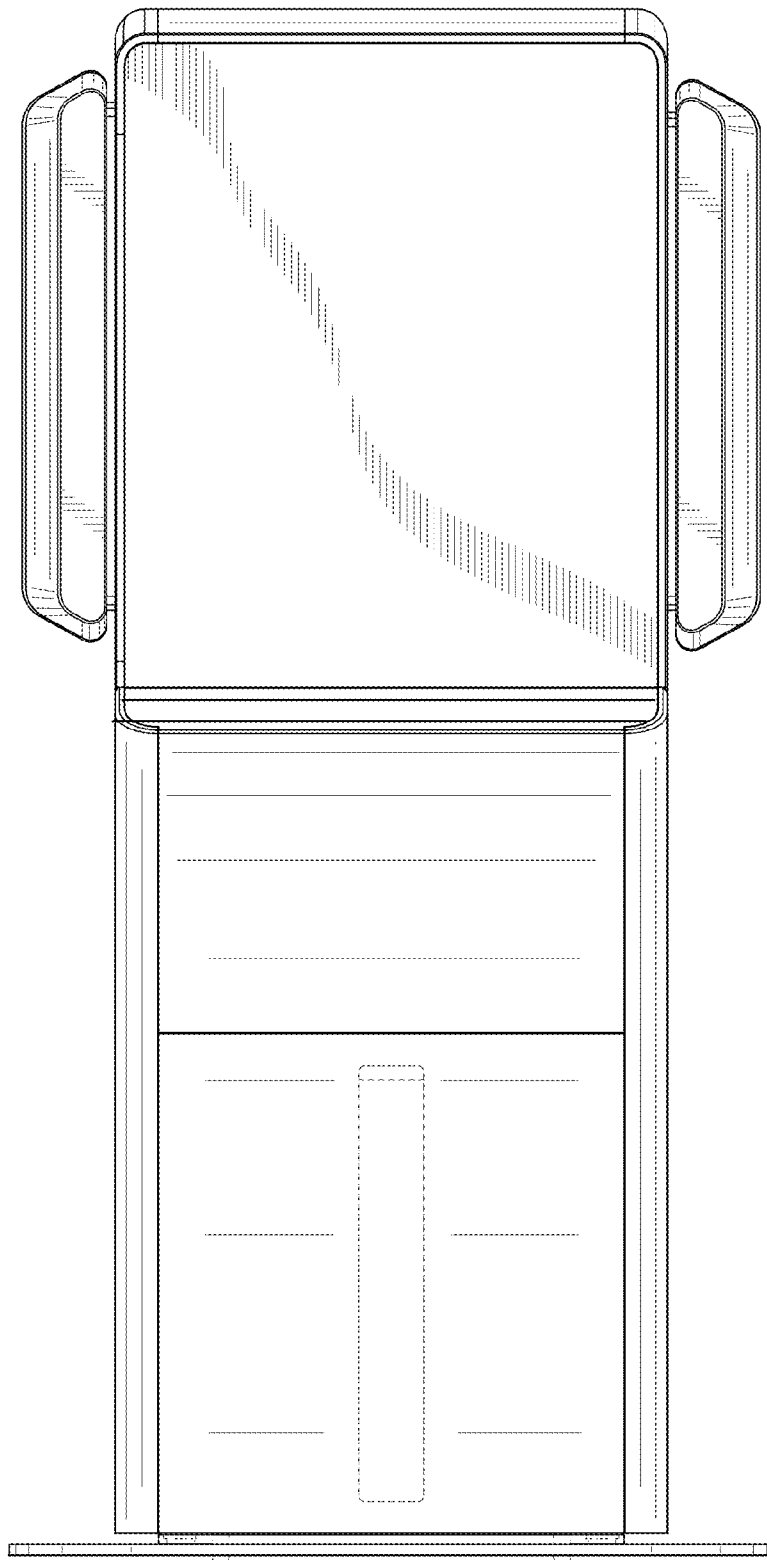


FIG. 3

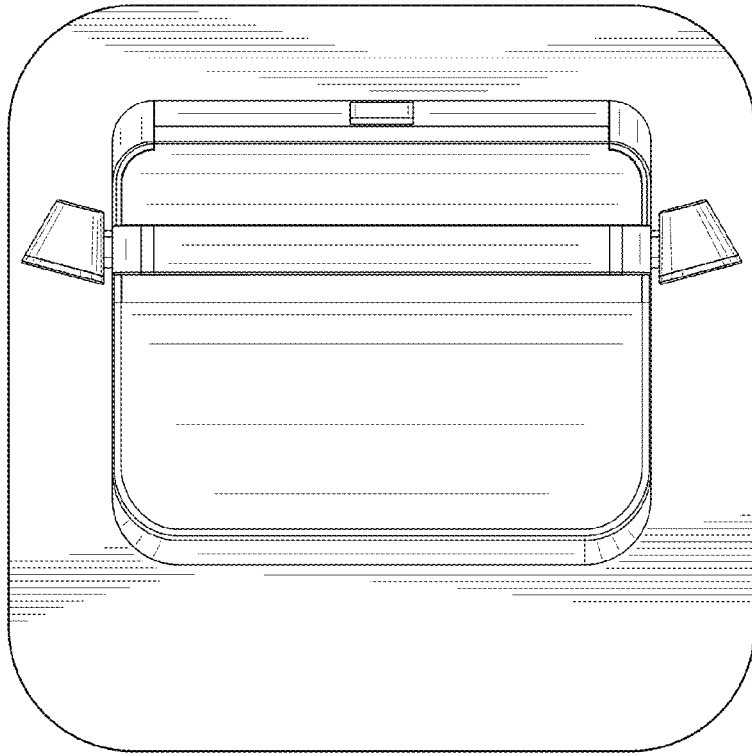


FIG. 4

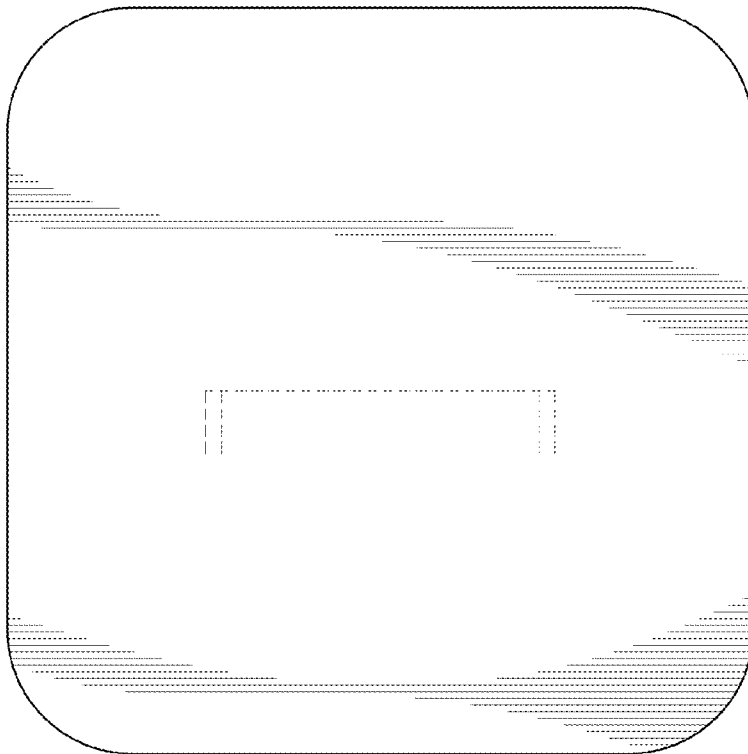


FIG. 5

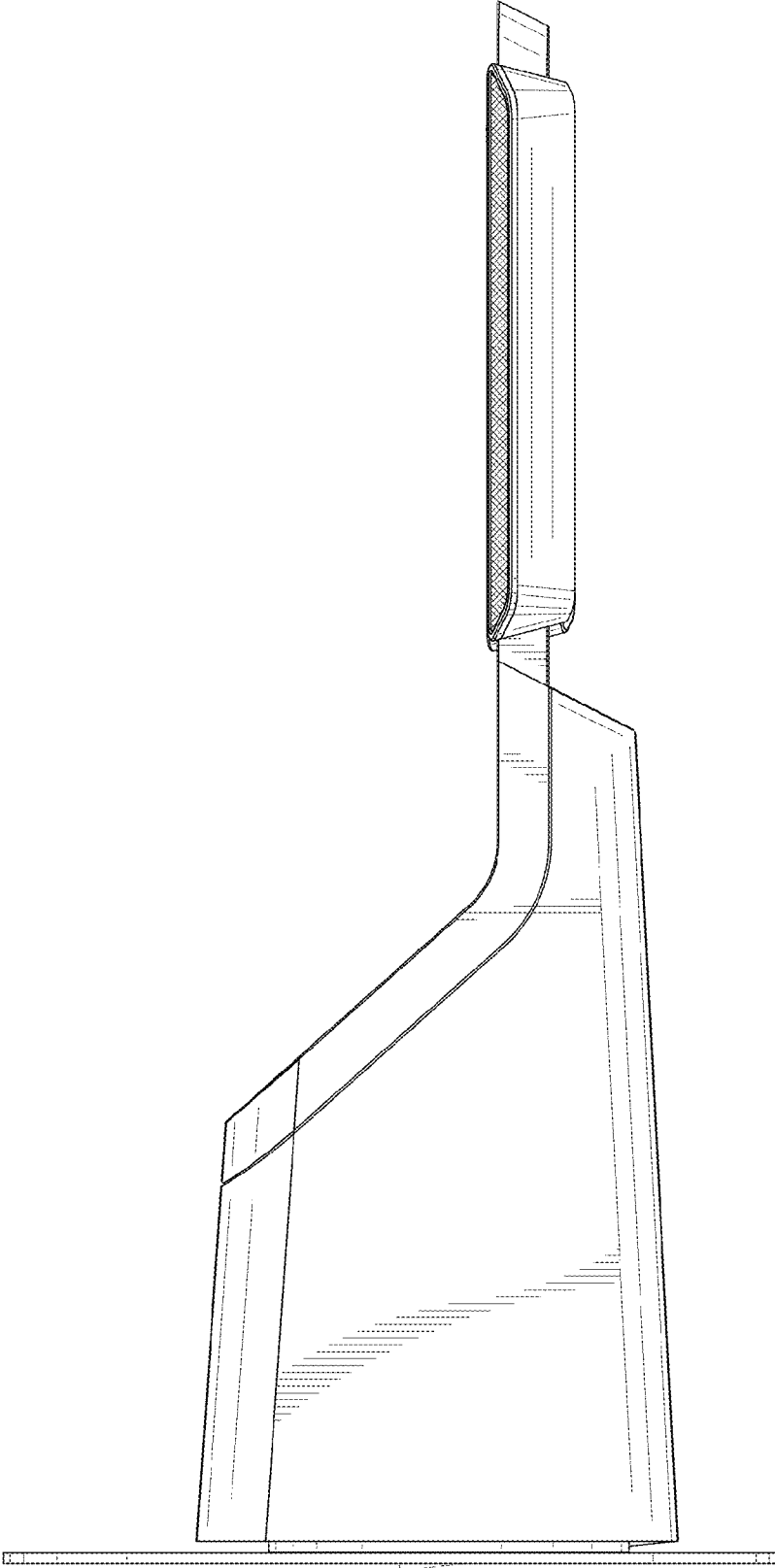


FIG. 6

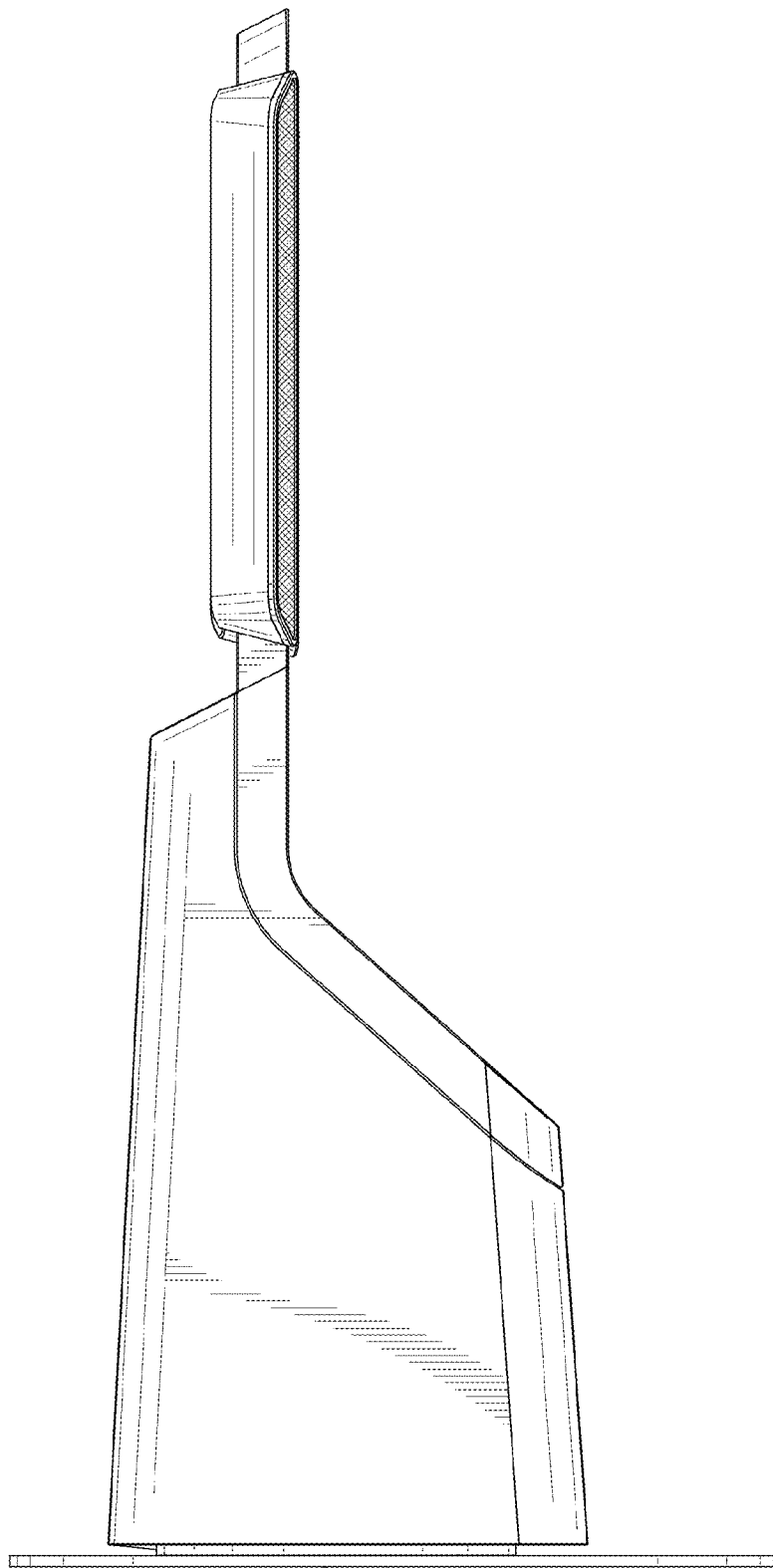


FIG. 7

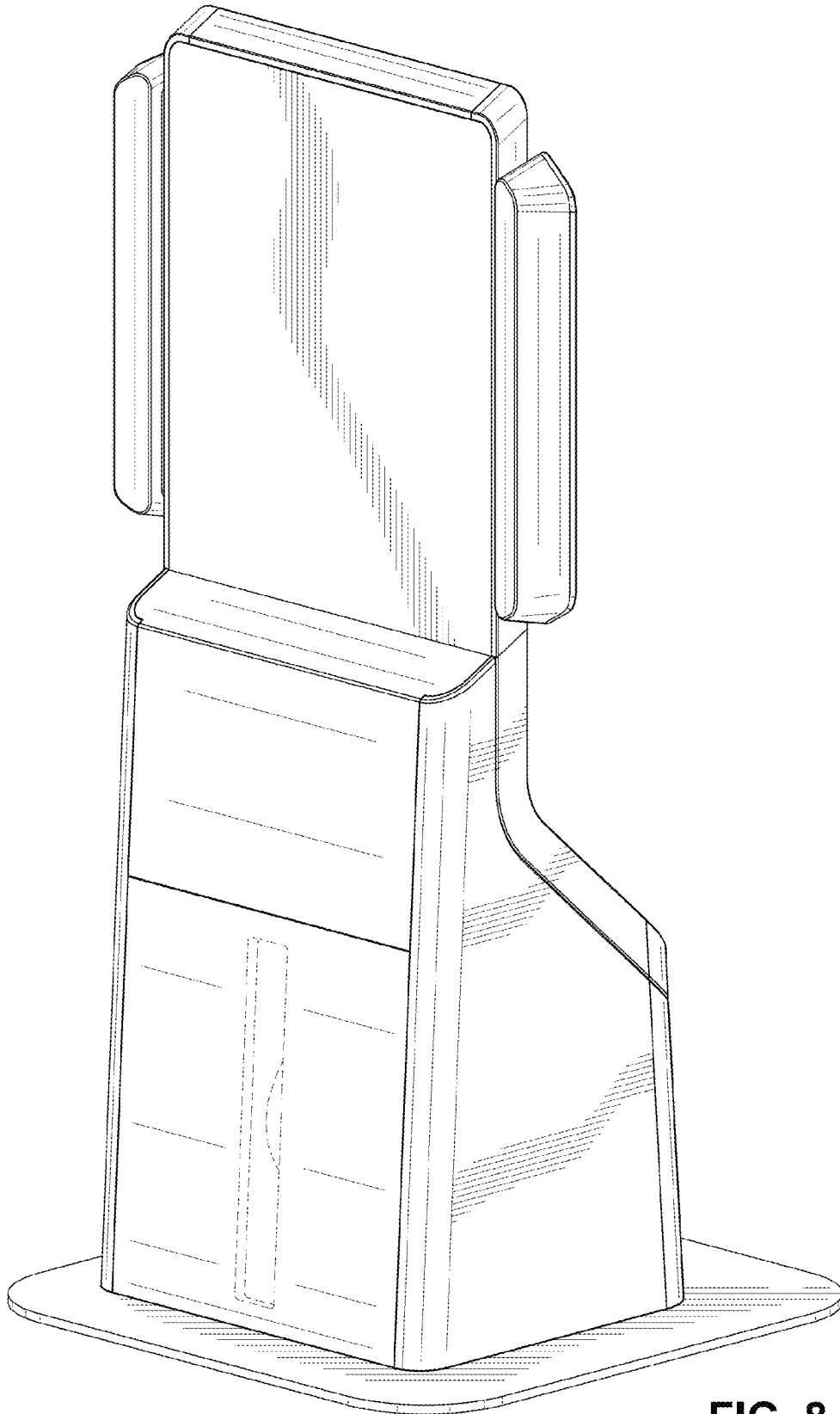


FIG. 8