



US00D958961S

(12) **United States Design Patent**
Hong

(10) **Patent No.:** **US D958,961 S**

(45) **Date of Patent:** **** Jul. 26, 2022**

(54) **FAN**

(71) Applicant: **MIDEA GROUP CO., LTD.**,
Guangdong (CN)

(72) Inventor: **Sizhan Hong**, Guangdong (CN)

(73) Assignee: **MIDEA GROUP CO., LTD.**,
Guangdong (CN)

(**) Term: **15 Years**

(21) Appl. No.: **35/511,217**

(22) Filed: **Nov. 3, 2020**

(80) **Hague Agreement Data**

Int. Filing Date: **Nov. 3, 2020**

Int. Reg. No.: **DM/212266**

Int. Reg. Date: **Nov. 3, 2020**

Int. Reg. Pub. Date: **Jan. 29, 2021**

(30) **Foreign Application Priority Data**

Jul. 17, 2020 (CN) 202030394245.3

(51) **LOC (13) Cl.** **23-04**

(52) **U.S. Cl.**
USPC **D23/378**

(58) **Field of Classification Search**

USPC D23/370-385, 411-414; D13/179

CPC F04D 25/088; F04D 25/06; F04D 29/38;
F04D 29/522; F04D 29/5853; F04D
29/326; F01P 5/02

See application file for complete search history.

(56) **References Cited**

U.S. PATENT DOCUMENTS

D146,785 S *	5/1947	Billings, Jr.	D16/244
D310,426 S *	9/1990	Rook	D26/138
D570,618 S *	6/2008	Tai	D14/229
D593,815 S *	6/2009	Sforza Fogliani	D7/642
D739,456 S *	9/2015	Poli	D16/244
D744,630 S *	12/2015	Ying	D23/378
D799,014 S *	10/2017	Suarez	D23/332
D802,732 S *	11/2017	Kim	D23/378
D803,381 S *	11/2017	Kim	D23/378
D840,465 S *	2/2019	Chun	D16/244
D883,466 S *	5/2020	Ying	D23/378
D885,365 S *	5/2020	Yanjie	D14/216
D918,286 S *	5/2021	Lin	D16/244
D920,421 S *	5/2021	Li	D16/244
D923,166 S *	6/2021	Zhao	D23/370
D929,024 S *	8/2021	Xiao	D16/244
D930,734 S *	9/2021	Li	D16/244
D944,883 S *	3/2022	Li	D16/244

* cited by examiner

Primary Examiner — Natasha Vujcic

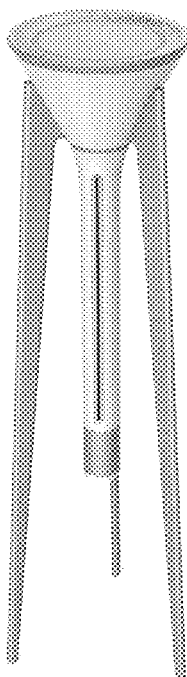
(57) **CLAIM**

The ornamental design for a fan, as shown and described.

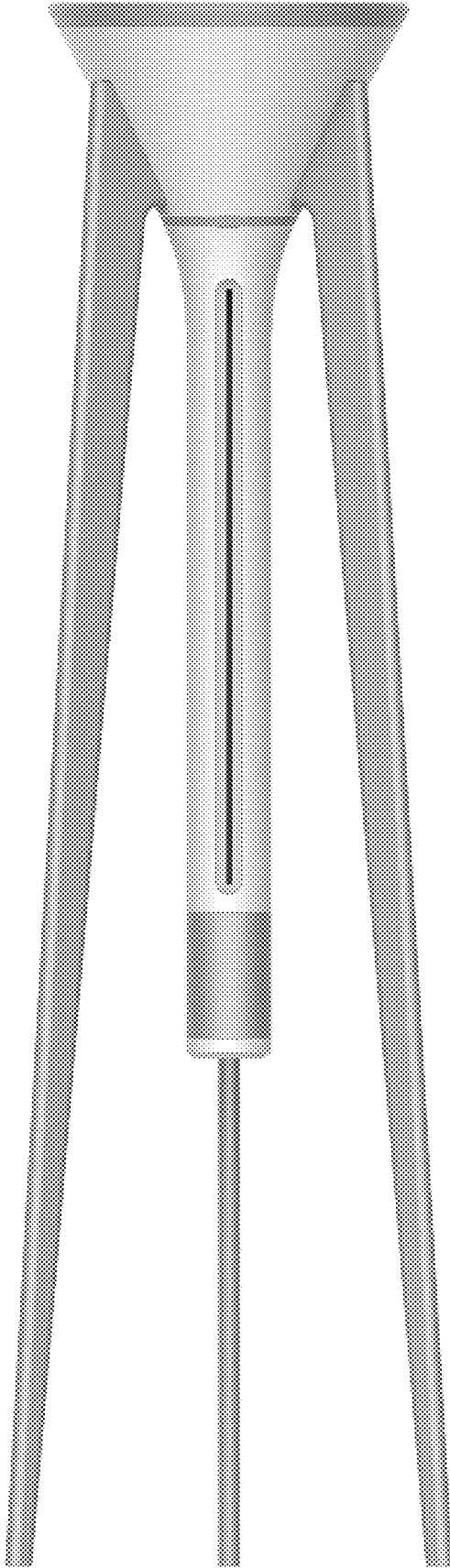
DESCRIPTION

- 1. Fan
- 1.1 : Front
- 1.2 : Back
- 1.3 : Left
- 1.4 : Right
- 1.5 : Top
- 1.6 : Bottom
- 1.7 : Perspective

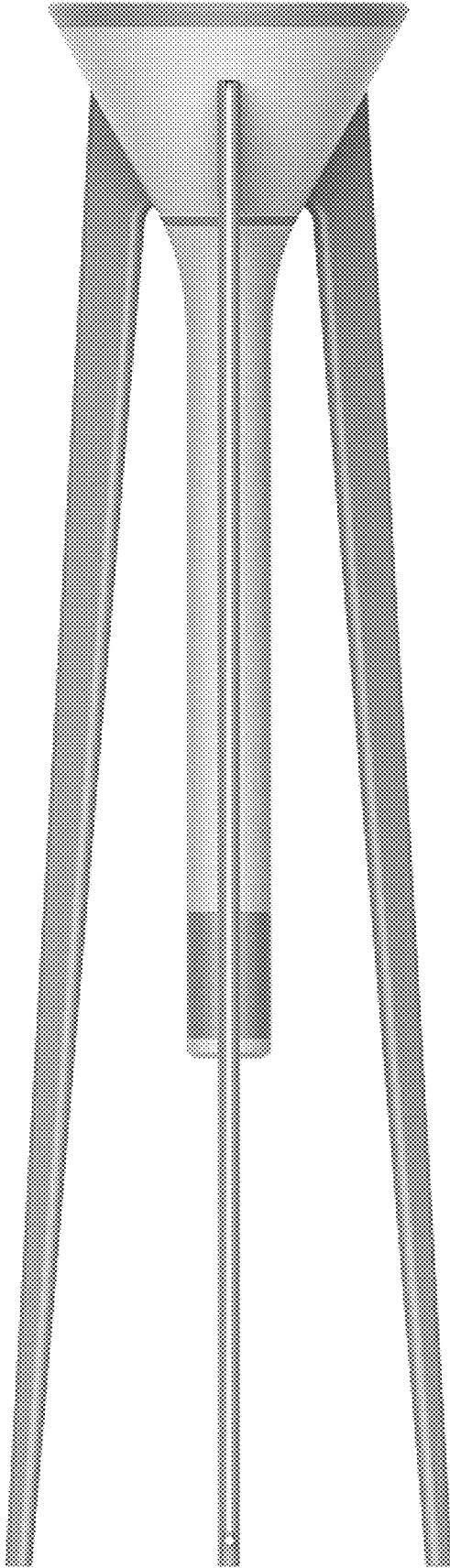
1 Claim, 7 Drawing Sheets



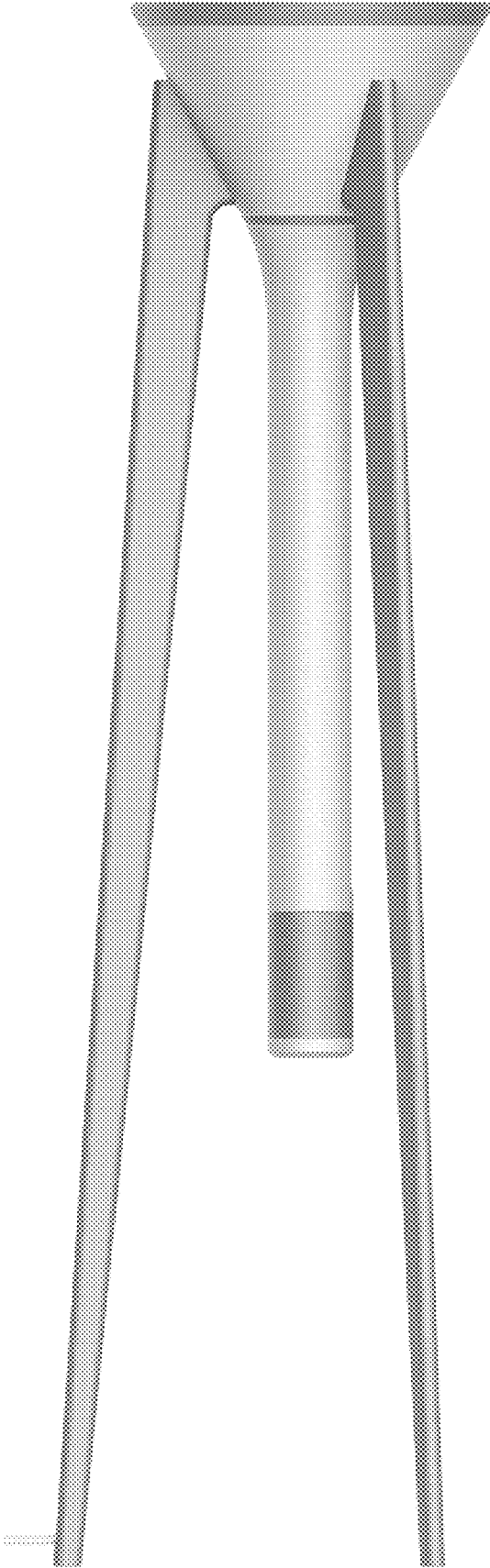
1.1



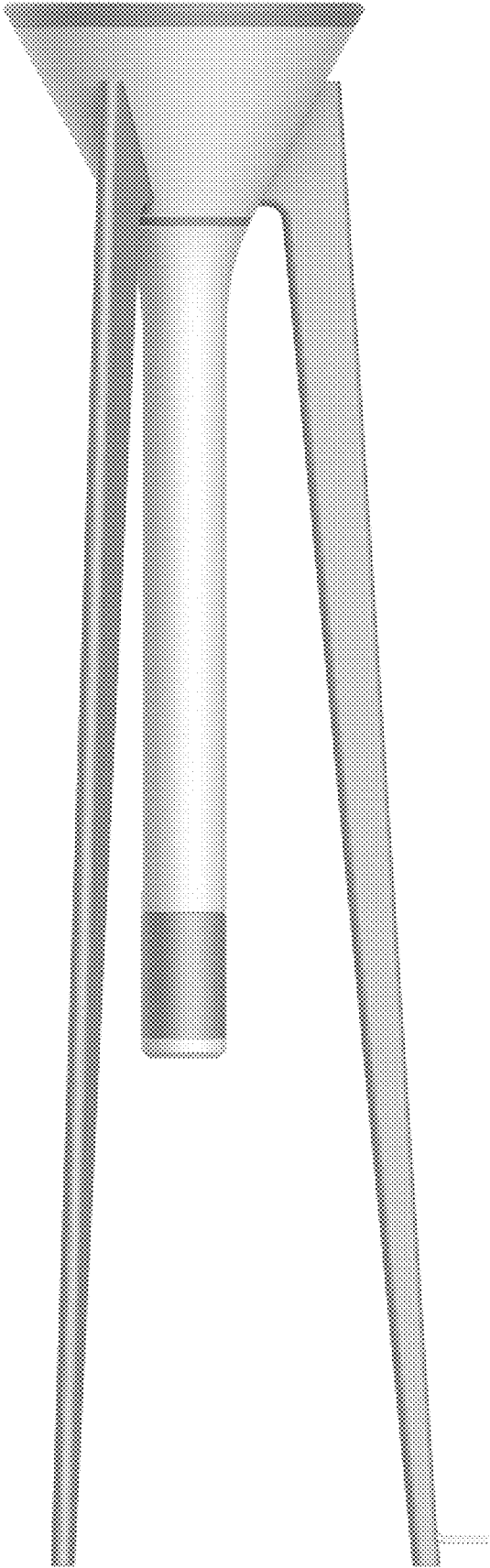
1.2



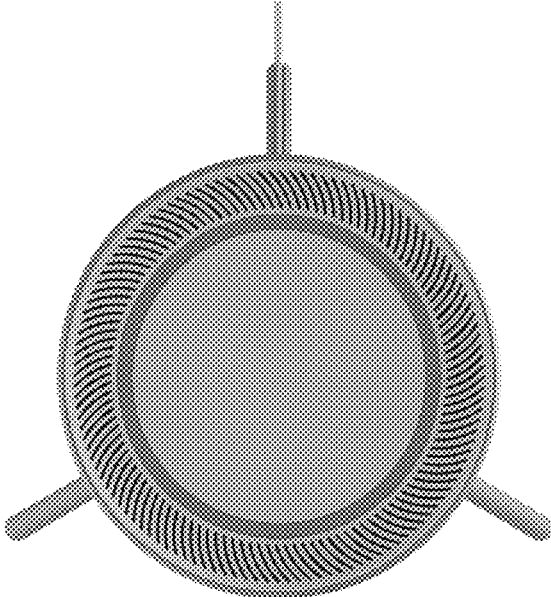
1.3



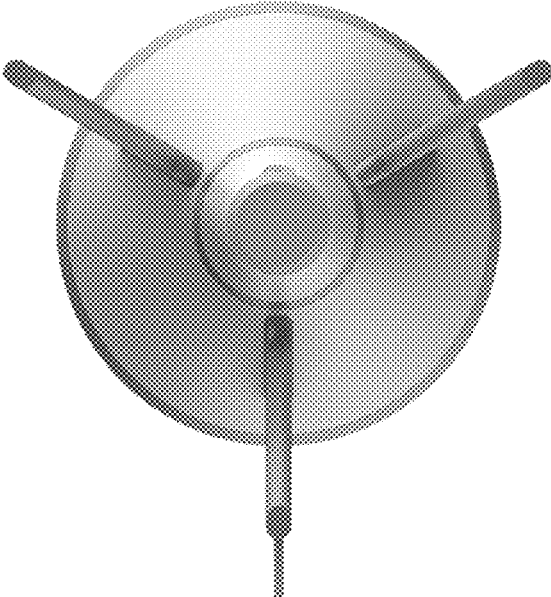
1.4



1.5



1.6



1.7

