



US00D751372S

(12) **United States Design Patent**
Thompson et al.

(10) **Patent No.:** **US D751,372 S**
(45) **Date of Patent:** **** Mar. 15, 2016**

- (54) **HOLDER**
- (71) Applicant: **3M INNOVATIVE PROPERTIES COMPANY**, St. Paul, MN (US)
- (72) Inventors: **Craig D. Thompson**, Inver Grove Heights, MN (US); **Angela L. Pan**, Woodbury, MN (US)
- (73) Assignee: **3M INNOVATIVE PROPERTIES COMPANY**, St. Paul, MN (US)

D404,287 S	1/1999	Hepworth	
D409,426 S	5/1999	Hampshire	
D417,606 S	12/1999	Bries	
D458,070 S	6/2002	Bennett	
D463,941 S *	10/2002	Kerr	D6/572
D472,134 S	3/2003	Goodman	
D480,292 S	10/2003	Johansson	
D482,600 S *	11/2003	Dretzka	D8/367
D483,593 S	12/2003	Knapp	
D502,221 S	2/2005	Chen	
D532,234 S	11/2006	Snell	
D543,837 S	6/2007	Newbould	
D547,584 S *	7/2007	Little	D6/569

(Continued)

(**) Term: **14 Years**

(21) Appl. No.: **29/486,989**

(22) Filed: **Apr. 4, 2014**

(51) **LOC (10) Cl.** **08-05**

(52) **U.S. Cl.**
USPC **D8/372**

(58) **Field of Classification Search**
USPC D8/16, 17, 18, 19, 20, 26, 363, 366,
D8/370-377, 380-382
CPC B25B 27/00; B25B 27/14; B25B 27/02;
B25B 9/00; B25B 27/0092; B25B 27/023;
B25B 31/00; B25B 27/0028; B25B 27/0035;
B25B 27/062; B25B 33/00; B25B 9/02;
B25B 13/48; B25B 23/00; B25B 23/10;
B25B 23/101; B25B 27/10

See application file for complete search history.

(56) **References Cited**

U.S. PATENT DOCUMENTS

D143,677 S	1/1946	Smith	
D199,321 S	10/1964	Peterson	
D291,154 S	8/1987	Owen	
D294,791 S *	3/1988	Loscalzo	D6/323
D294,792 S *	3/1988	Zimmerman	D6/323
4,830,198 A	5/1989	Colquitt	
D327,197 S	6/1992	Belokin, Jr.	
D377,896 S	2/1997	Mesna	

FOREIGN PATENT DOCUMENTS

AU	358890	11/2014
AU	358955	11/2014

(Continued)

OTHER PUBLICATIONS

US Design Publication: Official Gazette, No. 2, vol. 1209, (Apr. 14, 1998), p. 1922, 393412, (JPO Reference No. HC11049010).

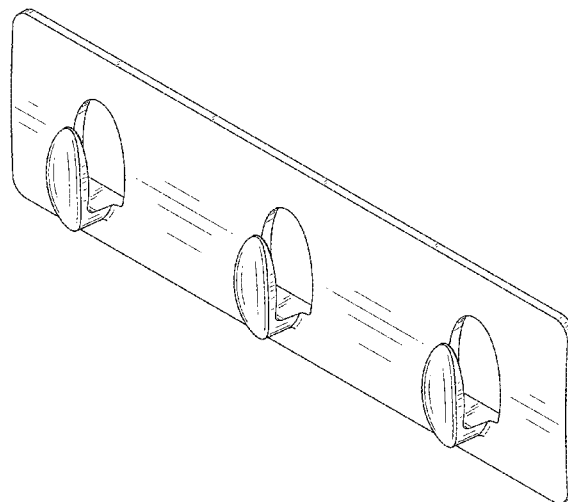
Primary Examiner — Robert M Spear
Assistant Examiner — Eliza Bennett-Hattan
(74) *Attorney, Agent, or Firm* — Irina Hass

(57) **CLAIM**
The ornamental design for a holder, as shown and described.

DESCRIPTION

FIG. 1 is a perspective view showing the new design for a holder;
FIG. 2 is a front view thereof;
FIG. 3 is a rear view thereof;
FIG. 4 is a top view thereof;
FIG. 5 is a right side view thereof, a left side view being a mirror image thereof; and,
FIG. 6 is a bottom view thereof.

1 Claim, 3 Drawing Sheets



(56)

References Cited

U.S. PATENT DOCUMENTS

D554,481 S	11/2007	Newbould	
D554,482 S	11/2007	Hager	
D559,089 S	1/2008	Goodman	
D581,711 S	12/2008	Goodman	
D600,538 S	9/2009	Thompson	
D609,995 S	2/2010	Hager	
D632,950 S	2/2011	McGreevy	
D641,228 S	7/2011	Qiblawi	
D665,653 S	8/2012	Thompson	
D678,041 S	3/2013	Pan	
D679,578 S *	4/2013	Gilboe D6/569
D680,804 S	4/2013	Gilboe	
D680,852 S	4/2013	Gilboe	
D682,014 S	5/2013	Gilboe	
D682,664 S	5/2013	Gilboe	
D686,021 S	7/2013	Gilboe	
D690,531 S	10/2013	Gilboe	
D690,532 S	10/2013	Gilboe	
D694,097 S	11/2013	Hammer	
D697,389 S	1/2014	Pan	
D699,973 S	2/2014	Pan	

D714,621 S	10/2014	Pan
D714,622 S	10/2014	Pan
D714,623 S	10/2014	Pan
D715,133 S	10/2014	Pan
D715,625 S	10/2014	Pan
D716,134 S	10/2014	Pan

FOREIGN PATENT DOCUMENTS

CA	157032	1/2015
CA	158986	6/2015
CA	154536	7/2015
CN	301293792	7/2010
EM	000078886-001	9/2003
EM	000098694-001	11/2003
JP	397703	2/1975
JP	397704	2/1975
JP	690907	7/1986
JP	1281390	8/2006
TW	436050	5/2001
TW	460159	10/2001
TW	D144089	12/2011

* cited by examiner

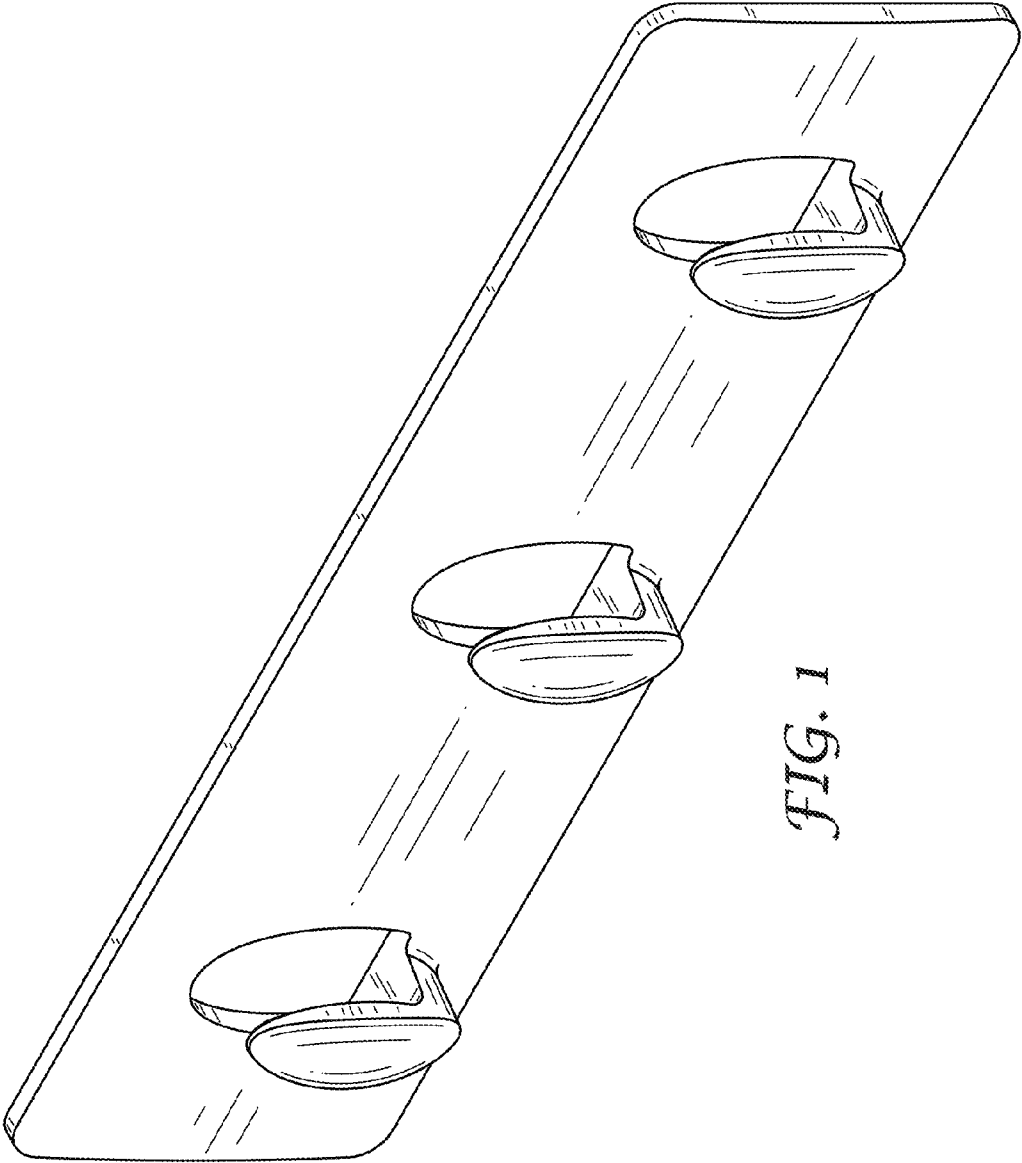


FIG. 1

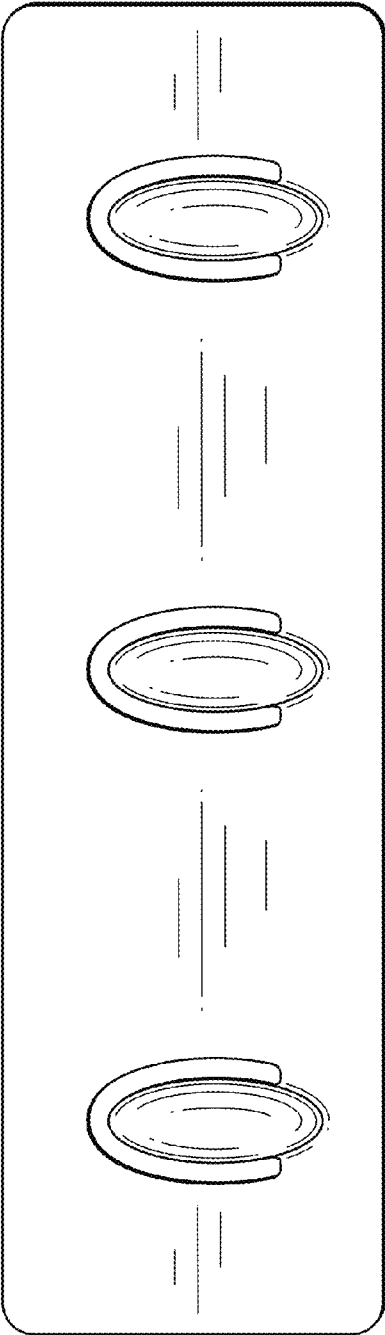


FIG. 2

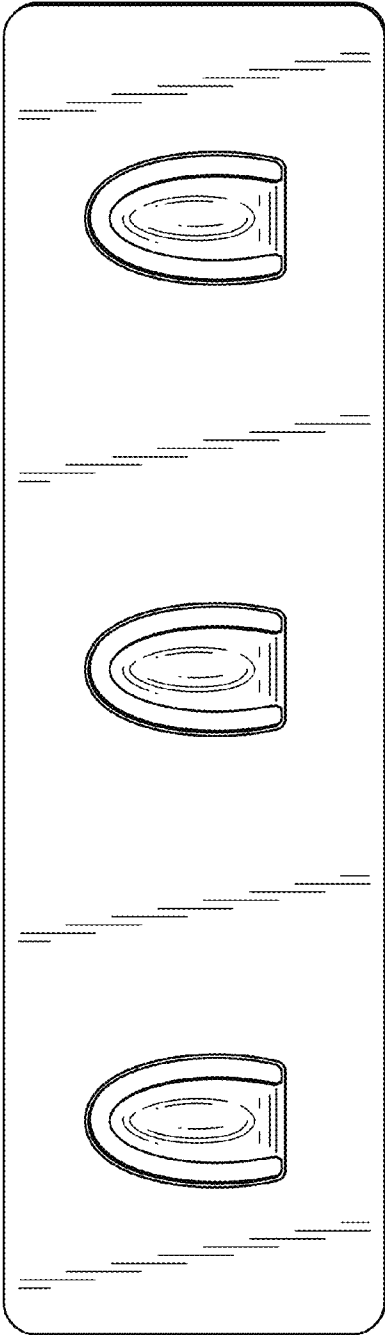


FIG. 3

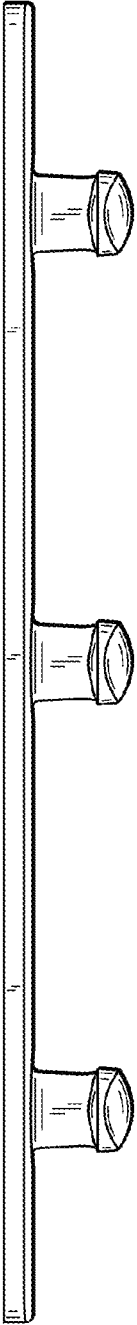


FIG. 4

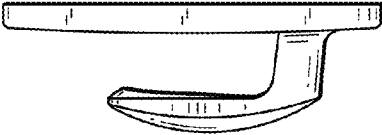


FIG. 5

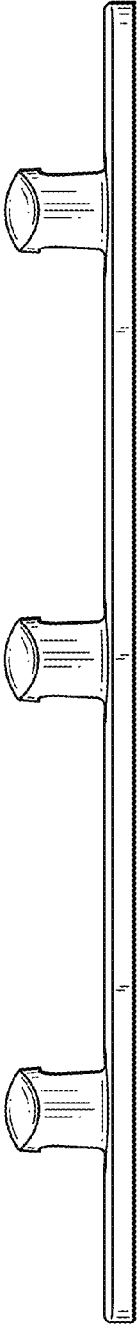


FIG. 6