



(12) **United States Design Patent** (10) **Patent No.:** **US D879,055 S**  
**Altonen et al.** (45) **Date of Patent:** **\*\* Mar. 24, 2020**

(54) **CONTROL DEVICE**

(71) Applicant: **Lutron Electronics Co., Inc.**,  
Coopersburg, PA (US)

(72) Inventors: **Gregory Altonen**, Easton, PA (US);  
**Susan Hakkarainen**, Doylestown, PA  
(US); **Jason C. Killo**, Emmaus, PA  
(US); **Brad Michael Kreschollek**,  
Bethlehem, PA (US); **Noel Mayo**,  
Philadelphia, PA (US); **Matthew Philip  
McDonald**, Phoenixville, PA (US)

(73) Assignee: **Lutron Technology Company LLC**,  
Coopersburg, PA (US)

(\*\*) Term: **15 Years**

(21) Appl. No.: **29/655,322**

(22) Filed: **Jul. 2, 2018**

**Related U.S. Application Data**

(63) Continuation of application No. 29/594,200, filed on  
Feb. 16, 2017, now Pat. No. Des. 837,168.

(51) **LOC (12) Cl.** ..... **13-03**

(52) **U.S. Cl.**  
USPC ..... **D13/171; D13/168**

(58) **Field of Classification Search**  
USPC ..... D13/162, 168, 171, 173, 174; D14/487,  
D14/489; D10/104.1; D7/393; D8/310,  
D8/312  
CPC ..... H01H 3/12; H01H 3/122; H01H 9/02;  
H01H 9/16; H01H 9/18; H01H 9/181;  
H01H 9/182; H01H 13/023; H01H 13/04;  
H01H 13/06; H01H 13/14; H01H  
2009/187; H05B 33/0803; H05B 33/0863;  
H05B 37/02; H05B 37/0254; H05B  
37/0272; H05B 39/02; H05B 39/04;  
H05B 39/085; H05B 39/086; H05B  
39/088; G08C 17/02; H03K 17/962

See application file for complete search history.

(56) **References Cited**

U.S. PATENT DOCUMENTS

D199,922 S	12/1964	Schlage et al.
D362,841 S	10/1995	Roza
6,107,583 A	8/2000	Berfield
D441,346 S	5/2001	Bonn
D464,630 S	10/2002	Woodworth
D469,411 S	1/2003	Decosse
D515,516 S	2/2006	Mayo et al.
D558,692 S	1/2008	Neveu
D589,463 S	3/2009	Sykes
7,884,299 B2	2/2011	Glew

(Continued)

OTHER PUBLICATIONS

Legrand® / Pass & Seymour®, P&S Dimmers—DR Series Bro-  
chure, 2010, 2 pages.

(Continued)

*Primary Examiner* — Selina Sikder  
(74) *Attorney, Agent, or Firm* — Saidman DesignLaw  
Group, LLC

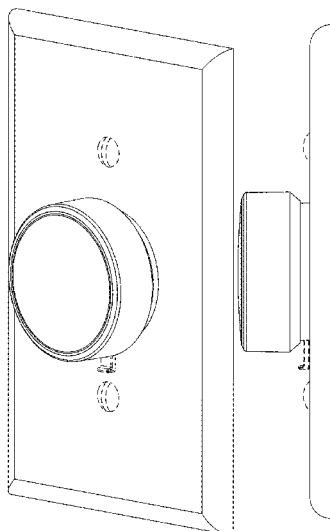
(57) **CLAIM**

The ornamental design for a control device, as shown and  
described.

**DESCRIPTION**

FIG. 1 is a front perspective view of a control device  
showing our new design;  
FIG. 2 is a front view thereof;  
FIG. 3 is a left side view thereof;  
FIG. 4 is a right side view thereof;  
FIG. 5 is a top view thereof; and,  
FIG. 6 is a bottom view thereof.  
The dashed broken lines illustrate structure or features  
which form no part of the claimed design.

**1 Claim, 4 Drawing Sheets**



(56)

References Cited

U.S. PATENT DOCUMENTS

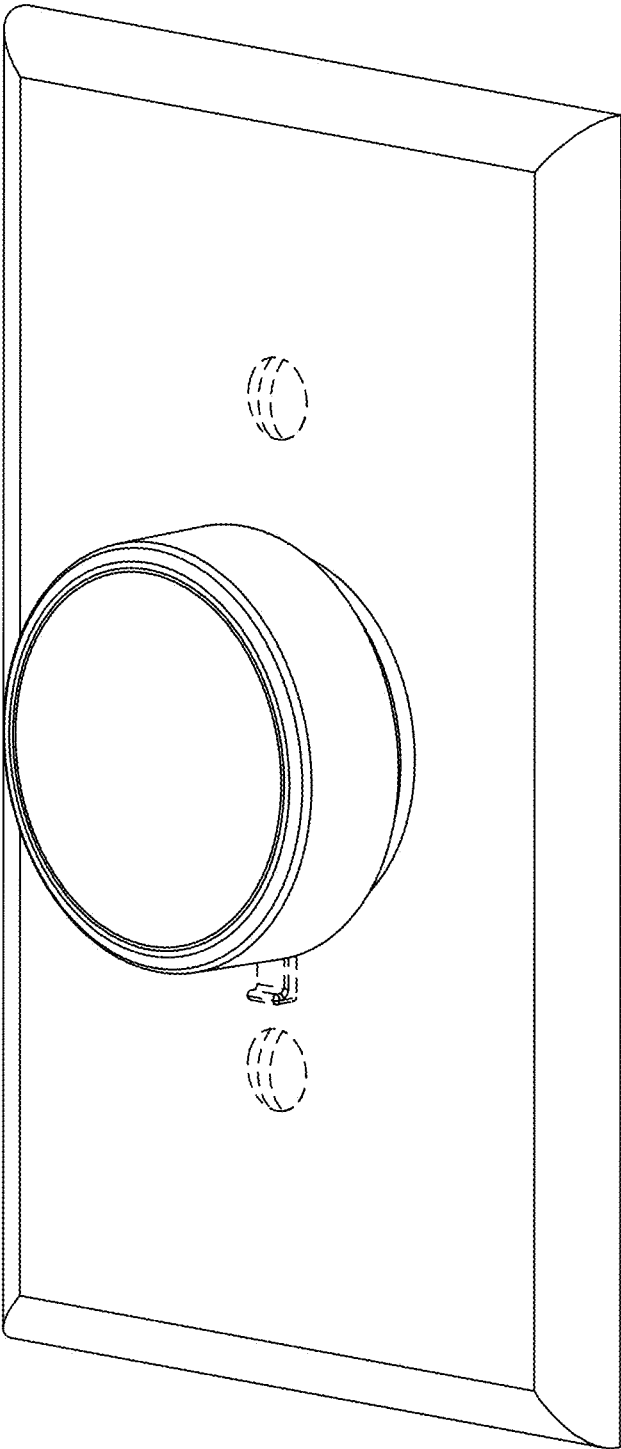
D645,005	S	9/2011	Menheere	
D654,880	S	2/2012	Lam	
D687,328	S	8/2013	Clymer et al.	
8,786,196	B2	7/2014	Biery et al.	
D713,236	S	9/2014	Park	
D725,612	S	3/2015	Schlegel et al.	
D748,648	S	2/2016	Kim et al.	
D755,037	S	5/2016	Czerwinski, Jr. et al.	
9,337,943	B2	5/2016	Mosebrook et al.	
D761,277	S	7/2016	Harvell	
D762,716	S	8/2016	Yang et al.	
D763,308	S	8/2016	Wang et al.	
D766,844	S	9/2016	Turksu et al.	
D786,932	S	5/2017	Kim et al.	
D808,912	S	1/2018	Dimberg et al.	
D814,428	S	4/2018	Dimberg et al.	
D837,168	S	1/2019	Altonen et al.	
D837,169	S	1/2019	Altonen et al.	
D839,847	S *	2/2019	Dimberg .....	D13/171
D846,508	S *	4/2019	Dimberg .....	D13/171
2007/0057922	A1	3/2007	Schultz et al.	
2007/0102275	A1	5/2007	Genz et al.	
2007/0193867	A1	8/2007	Lorenzo Riera et al.	
2010/0175971	A1	7/2010	Kim et al.	
2013/0328500	A1	12/2013	Toda	
2014/0042002	A1	2/2014	Chu	

2014/0117871	A1	5/2014	Swatsky et al.
2015/0371534	A1	12/2015	Dimberg et al.
2017/0354022	A1	12/2017	Dimberg et al.

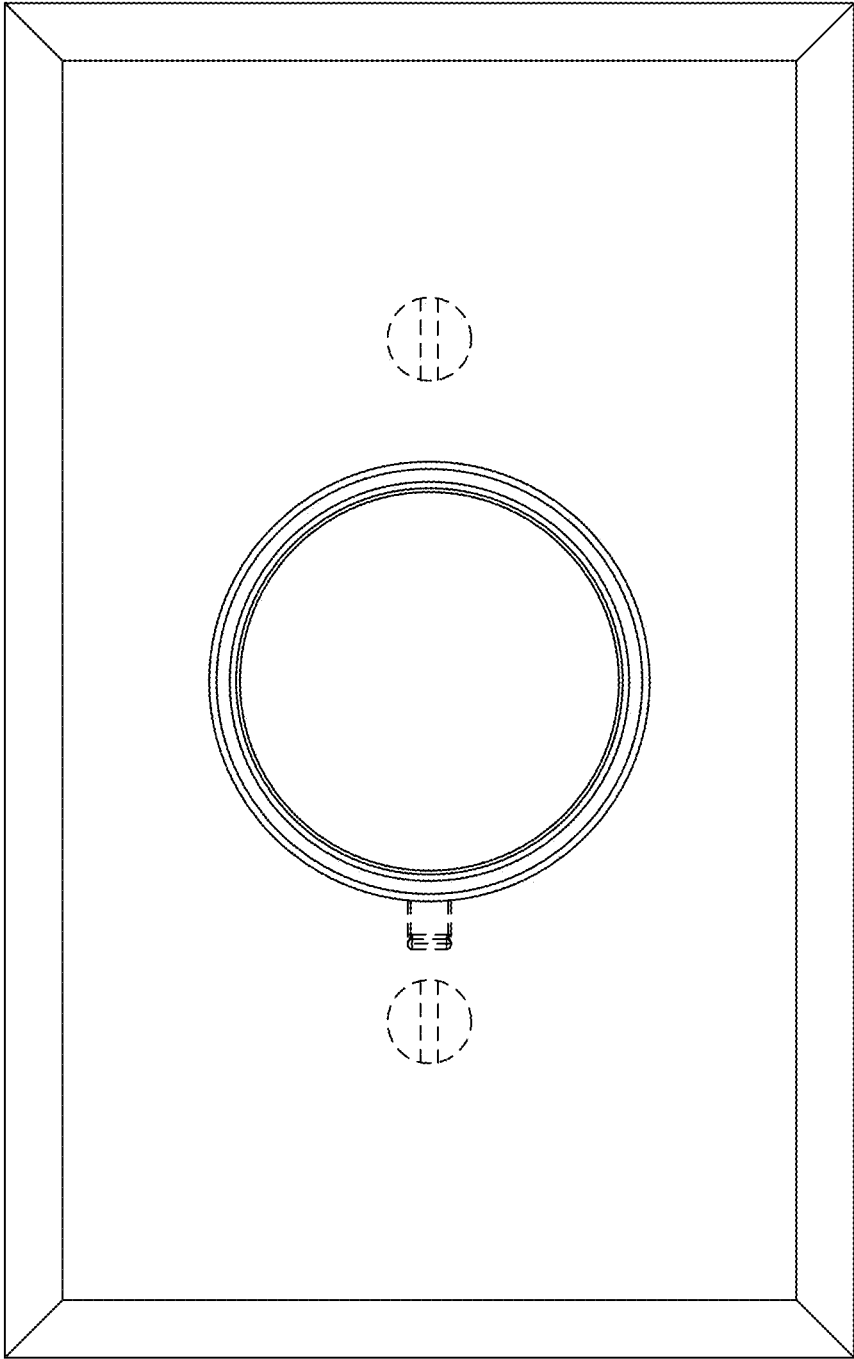
OTHER PUBLICATIONS

Legrand®, Dimmers Brochure, 2015, 18 pages.  
 Lumenpulse™, Lumentone™ Specification Sheet, 2013, 4 pages.  
 Lumenpulse™, Lumentone™ Installation Instructions, 2013, 1 page.  
 Lumenpulse™, Lumentone™ Quick Reference Guide, 2015, 3 pages.  
 Electronic Theatre Controls, Inc., Echo Inspire® Station Programming Guide, Software Version 2.0.1, Feb. 2015, 44 pages.  
 Electronic Theatre Controls, Inc., Echo Inspire® Control Stations, <URL:https://www.etconnect.com/Products/Architectural-Systems/Echo/Control-Stations/Inspire-Control-Stations/Features.aspx>, available from Internet at least as early as Jul. 15, 2014 [site visited May 9, 2018].  
 Electronic Theatre Controls, Inc., Echo Inspire® Control Station: 4-Button with Fader Knob, photograph taken on May 8, 2018.  
 U.S. Appl. No. 62/345,449, filed Jun. 3, 2016 (unpublished).  
 U.S. Appl. No. 62/345,222, filed Jun. 3, 2016 (unpublished).  
 U.S. Appl. No. 29/566,959, filed Jun. 3, 2016 (unpublished).  
 U.S. Appl. No. 29/569,786, filed Jun. 30, 2016 (unpublished).  
 U.S. Appl. No. 29/594,202, filed Feb. 16, 2017 (unpublished).  
 U.S. Appl. No. 29/597,335, filed Mar. 16, 2017 (unpublished).

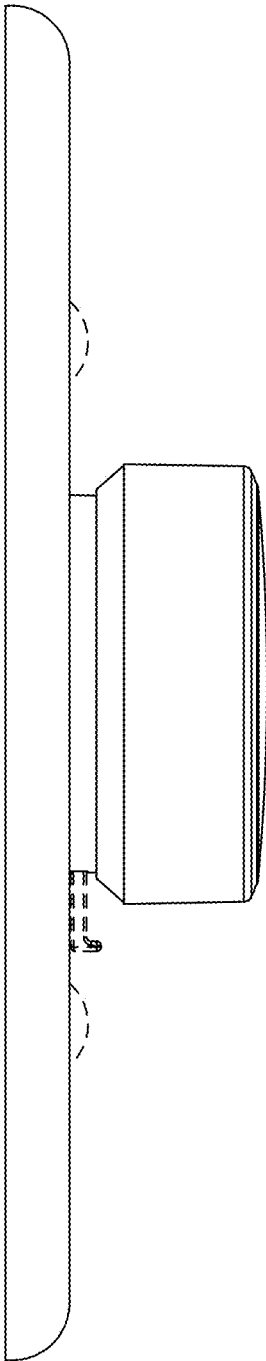
\* cited by examiner



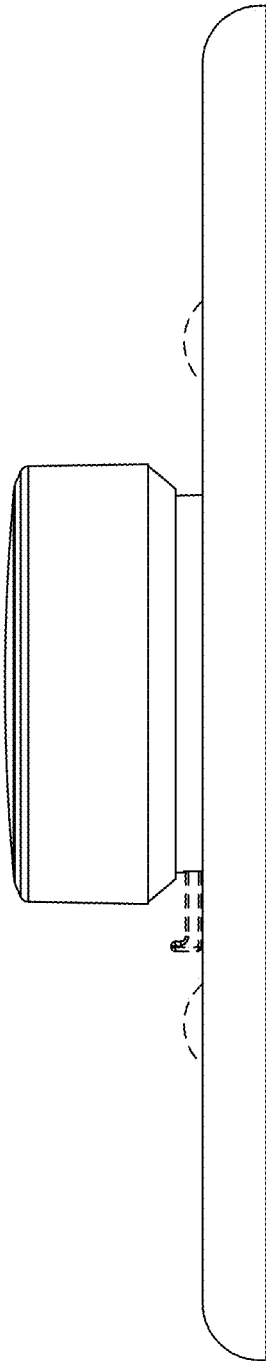
**FIG. 1**



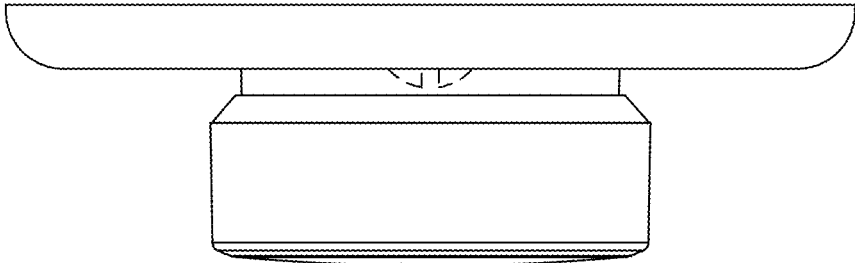
**FIG. 2**



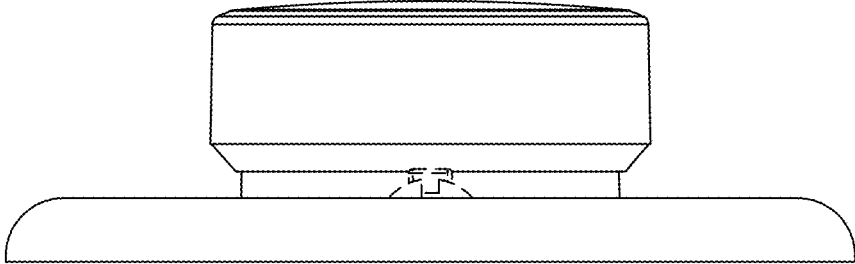
**FIG. 3**



**FIG. 4**



**FIG. 5**



**FIG. 6**