



US0D1048033S

(12) **United States Design Patent**  
**Luo**

(10) **Patent No.:** **US D1,048,033 S**

(45) **Date of Patent:** **\*\* Oct. 22, 2024**

- (54) **LAPTOP PROTECTIVE BAG**
- (71) Applicant: **ZhanJun Technology (DongGuan) Co., Ltd.**, Guangdong (CN)
- (72) Inventor: **Wenbin Luo**, Guangdong (CN)
- (73) Assignee: **ZhanJun Technology (DongGuan) Co., Ltd.**, Guangdong (CN)

- D696,669 S \* 12/2013 Akana ..... D14/440
- 8,640,864 B2 \* 2/2014 Chen ..... G06F 1/1628  
206/320
- 8,757,375 B2 \* 6/2014 Huang ..... A47B 23/043  
206/45.24
- D708,838 S \* 7/2014 Lee ..... D14/440
- 8,905,231 B2 \* 12/2014 Couch, III ..... A45C 11/00  
206/45.24
- D721,080 S \* 1/2015 Mecchella ..... D14/440  
(Continued)

(\*\*) Term: **15 Years**

*Primary Examiner* — Cynthia R Underwood

(74) *Attorney, Agent, or Firm* — ScienBiziP, P.C.

(21) Appl. No.: **29/848,051**

(22) Filed: **Jul. 29, 2022**

(57) **CLAIM**

The ornamental design for a laptop protective bag as shown and described.

(30) **Foreign Application Priority Data**

Jun. 30, 2022 (CN) ..... 202230408952.2

(51) **LOC (14) Cl.** ..... **14-02**

(52) **U.S. Cl.**  
USPC ..... **D14/440**

(58) **Field of Classification Search**

USPC ..... D14/440, 447, 250, 341  
CPC .... G06F 1/1628; G06F 1/1626; G06F 1/1669;  
G06F 1/1679; A47B 23/044; H04B  
1/3888; A45C 11/00

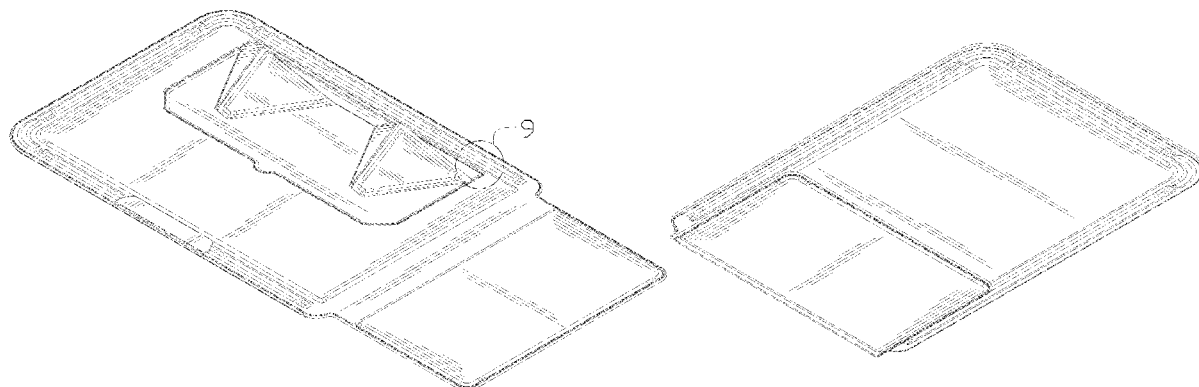
See application file for complete search history.

**DESCRIPTION**

FIG. 1 is a front, right and top perspective view of a laptop protective bag, showing my design.  
FIG. 2 is a rear, left and bottom perspective view thereof.  
FIG. 3 is a front elevation view thereof.  
FIG. 4 is a rear elevation view thereof.  
FIG. 5 is a left side elevation view thereof.  
FIG. 6 is a right side elevation view thereof.  
FIG. 7 is a top plan view thereof.  
FIG. 8 is a bottom plan view thereof.  
FIG. 9 is a partial enlarged view of an area labeled 9 in FIG. 1.

FIG. 10 is another front, right and top perspective view of the laptop protective bag in a usable state.  
FIG. 11 is another rear, left and bottom perspective view of the laptop protective bag in a usable state; and,  
FIG. 12 is another front, right and top perspective view of the laptop protective bag in a usable state.  
The dot-dash broken lines in FIGS. 1 and 9 depict the boundaries of the enlargements that form no part of the claimed design.

**1 Claim, 12 Drawing Sheets**



(56)

References Cited

U.S. PATENT DOCUMENTS

D723,037	S *	2/2015	Huang	D14/440	D1,034,613	S *	7/2024	Cai	D14/440
D723,040	S *	2/2015	Kang	D14/440	D1,039,096	S *	8/2024	Chen	D21/698
D726,191	S *	4/2015	Tseng	D14/440	D1,040,157	S *	8/2024	Haddock	D14/440
D726,192	S *	4/2015	Massucco	D14/440	D1,040,158	S *	8/2024	Han	D14/440
D727,915	S *	4/2015	Mecchella	D14/440	D1,040,159	S *	8/2024	Han	D14/440
D728,579	S *	5/2015	Mecchella	D14/440	12,053,068	B2 *	8/2024	Hsu	A47B 23/044
D729,253	S *	5/2015	Nyholm	D14/440	2009/0194209	A1 *	8/2009	De Filippis	A45C 11/00
D730,913	S *	6/2015	Shao	D14/440					206/320
D733,152	S *	6/2015	Sirichai	D14/440	2009/0201254	A1 *	8/2009	Rais	G06F 1/1669
9,095,061	B2 *	7/2015	Coberly	F16M 11/38					345/168
D743,406	S *	11/2015	Mecchella	D14/440	2010/0294909	A1 *	11/2010	Hauser	B42D 9/00
D743,967	S *	11/2015	Huang	D14/440					248/456
9,227,763	B2 *	1/2016	Gengler	G06F 1/1632	2010/0300909	A1 *	12/2010	Hung	H04M 1/04
D749,078	S *	2/2016	Bertrand	D14/440					206/320
D753,648	S *	4/2016	Shyu	D14/391	2011/0227463	A1 *	9/2011	Hou	A45C 13/02
D755,773	S *	5/2016	Kim	D14/250					312/223.1
D764,472	S *	8/2016	Corcoran	D14/440	2013/0015088	A1 *	1/2013	Wu	A45C 11/00
9,451,818	B2 *	9/2016	Buechin	A45C 13/1069					206/320
9,451,822	B2 *	9/2016	Gu	F16M 11/041	2013/0214661	A1 *	8/2013	McBroom	G06F 1/166
D768,638	S *	10/2016	Lee	D14/440					312/325
D772,880	S *	11/2016	Corcoran	G06F 1/1669	2013/0264459	A1 *	10/2013	McCosh	F16M 13/00
				D14/440					248/688
D779,494	S *	2/2017	Hallier	D14/440	2014/0029189	A1 *	1/2014	Chang	G06F 1/1615
9,578,941	B2 *	2/2017	MacLachlan	A45C 11/00					361/679.11
D789,342	S *	6/2017	Sirichai	D14/250	2014/0083883	A1 *	3/2014	Elias	G06F 1/1626
9,717,314	B2 *	8/2017	Idehara	G06F 1/1626					53/461
D811,411	S *	2/2018	Moore	D14/440	2014/0139989	A1 *	5/2014	Mori	G06F 1/1632
D824,898	S *	8/2018	Xu	D14/341					361/679.09
D845,947	S *	4/2019	Raken	D14/341	2014/0211393	A1 *	7/2014	Lee	G06F 1/1632
D868,162	S *	11/2019	Tanoury	D21/305					361/679.12
D871,415	S *	12/2019	Lin	D14/440	2015/0119118	A1 *	4/2015	Ashley	H04B 1/3888
D872,077	S *	1/2020	Raken	D14/341					455/575.8
D874,466	S *	2/2020	Lei	D14/440	2015/0263776	A1 *	9/2015	Shyu	A45C 13/002
D879,108	S *	3/2020	Fisk	D14/447					455/575.8
10,606,314	B1 *	3/2020	Takano	F16M 11/2021	2015/0293601	A1 *	10/2015	Gu	G06F 3/0202
D888,709	S *	6/2020	Kang	D14/327					345/168
D891,436	S *	7/2020	Gundogan	D14/441	2015/0296060	A1 *	10/2015	Gu	G06F 1/162
D907,044	S *	1/2021	Cheng	A45C 1/00					455/575.4
				D14/440	2015/0296068	A1 *	10/2015	Chin	H04M 1/185
D913,281	S *	3/2021	Kang	D14/341					455/575.8
D917,462	S *	4/2021	Widiaman	D14/341	2016/0011628	A1 *	1/2016	Sato	G06F 1/1626
D934,230	S *	10/2021	He	D14/447					361/679.56
D945,408	S *	3/2022	Andre	D14/251	2019/0018449	A1 *	1/2019	Fenton	G06F 1/166
D973,059	S *	12/2022	Yao	D14/451					G06F 1/166
D1,013,694	S *	2/2024	Lu	D14/440	2020/0178662	A1 *	6/2020	Takano	A47B 23/044
D1,013,695	S *	2/2024	Lu	D14/440					A47B 23/044
D1,019,656	S *	3/2024	Weng	D14/440	2020/0208773	A1 *	7/2020	Lin	H04B 1/3888
D1,024,047	S *	4/2024	He	D14/440					G06F 1/166
D1,032,614	S *	6/2024	Liang	D14/440	2021/0014348	A1 *	1/2021	Lin	G06F 1/166
									G06F 1/166
					2021/0310600	A1 *	10/2021	Sawaqedy	F16M 11/38
									G06F 1/203
					2022/0192367	A1 *	6/2022	Kim	G06F 1/203
									A63B 69/3682
					2024/0165480	A1 *	5/2024	Chen	A63B 69/3682

\* cited by examiner

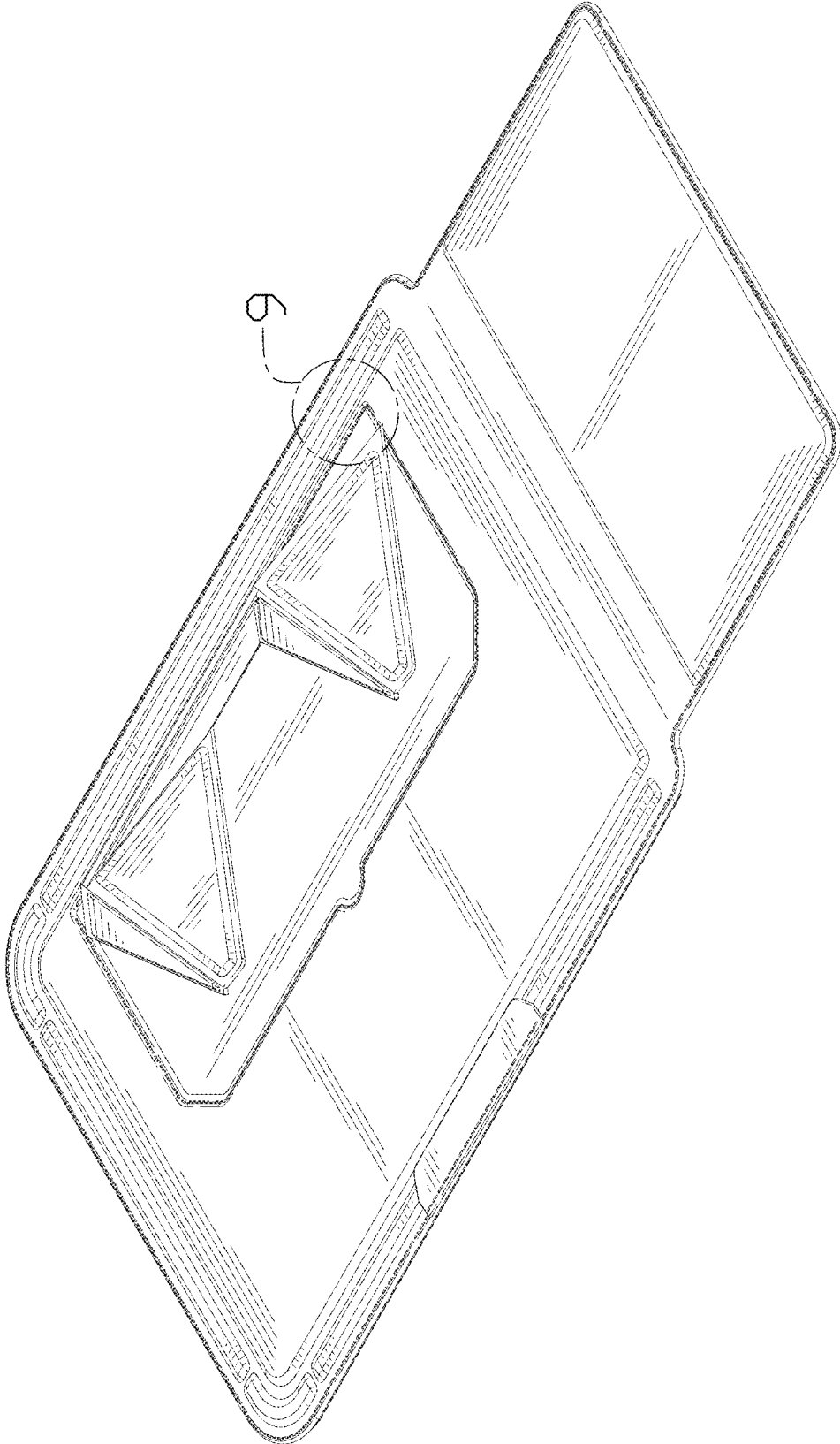


FIG. 1

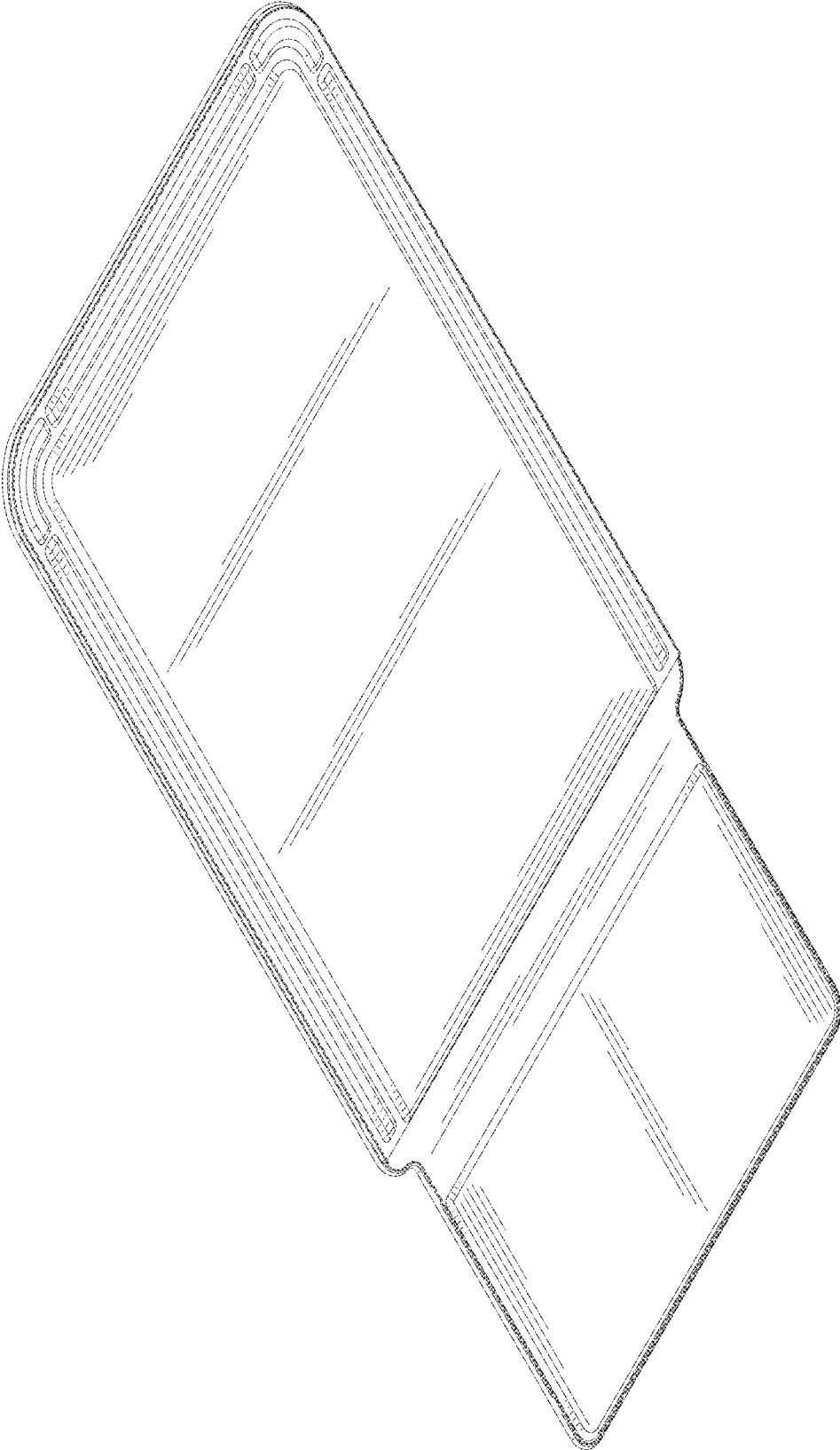


FIG. 2

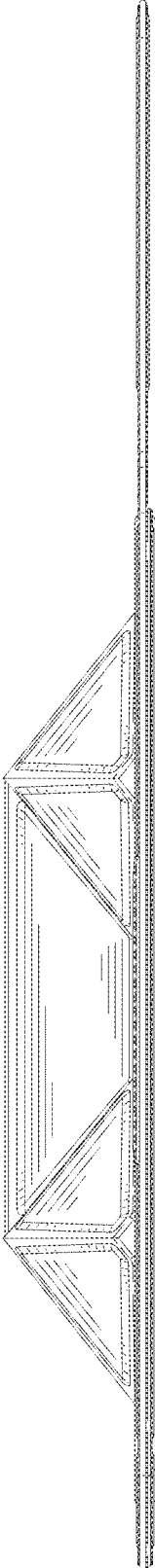


FIG. 3

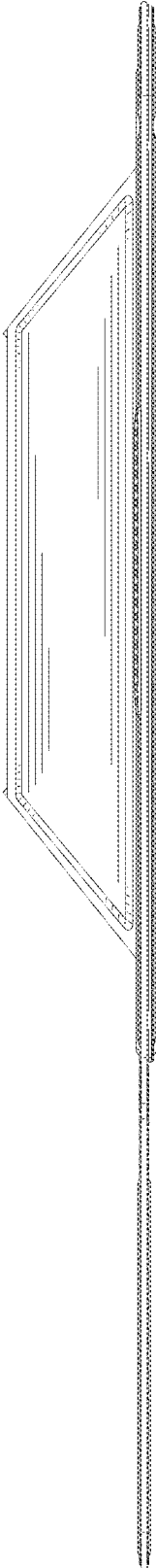


FIG. 4

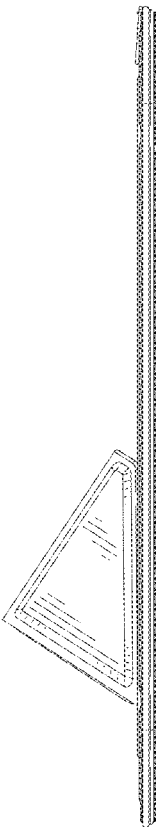


FIG. 5

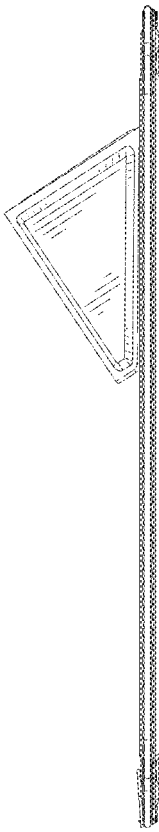


FIG. 6

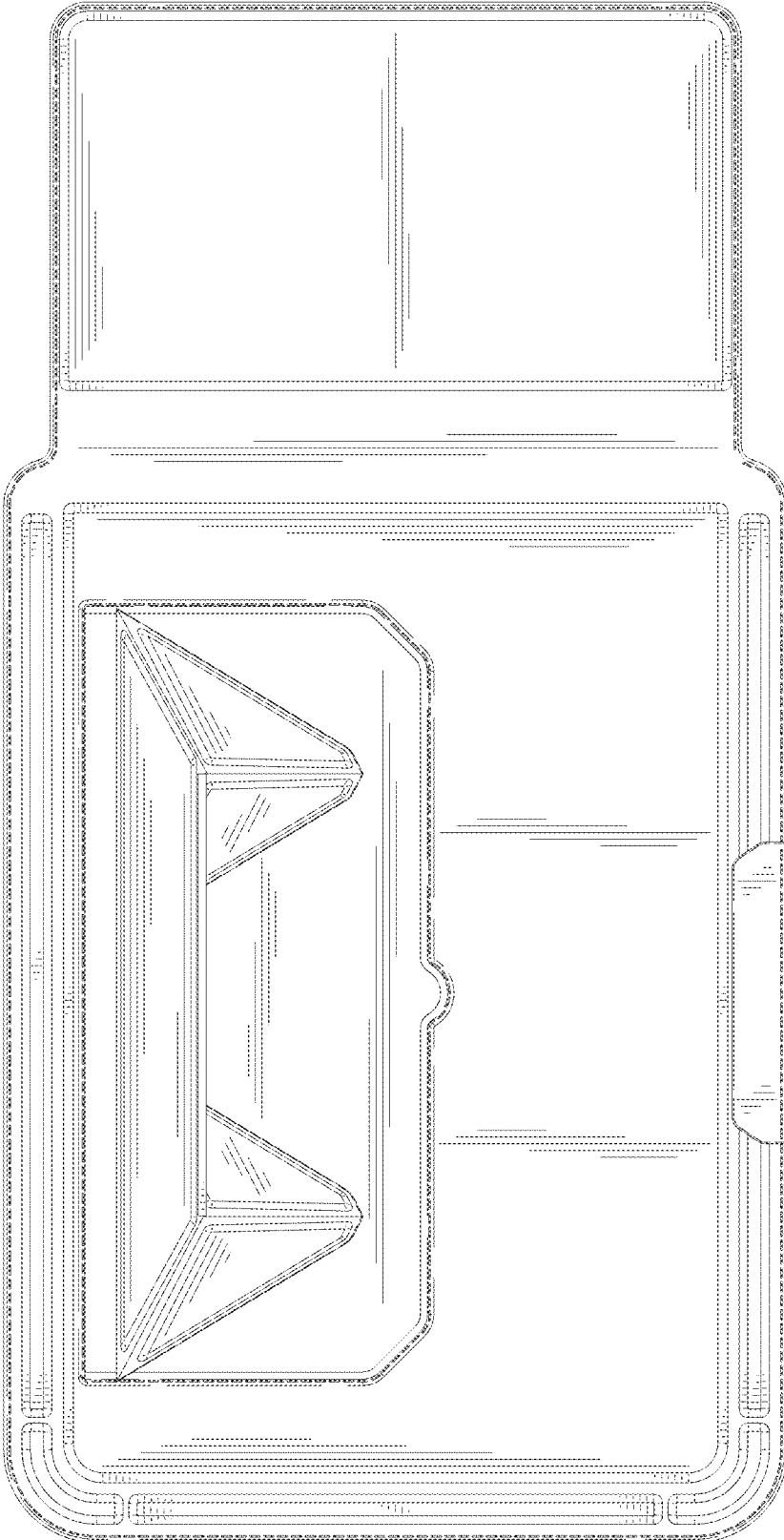


FIG. 7

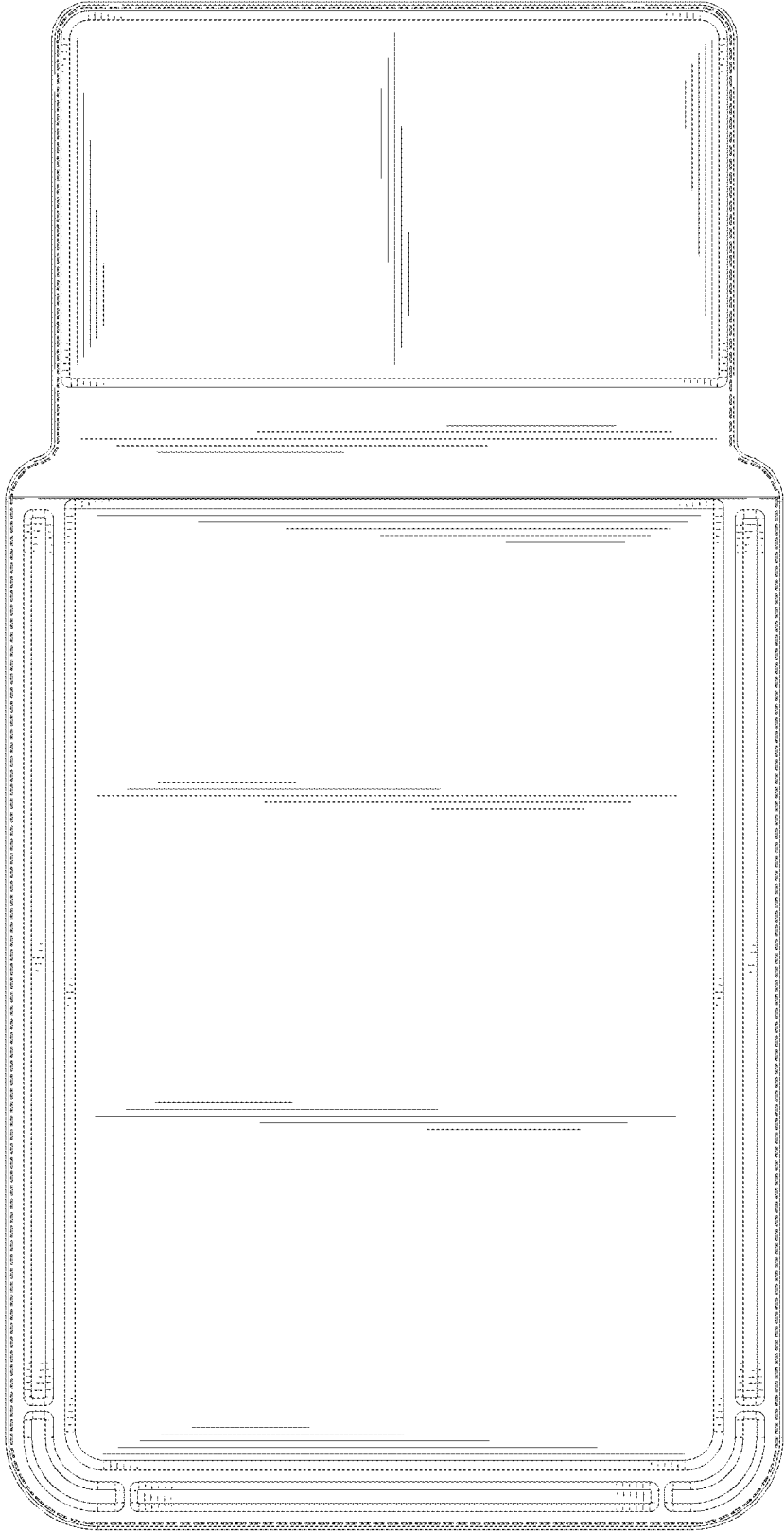


FIG. 8

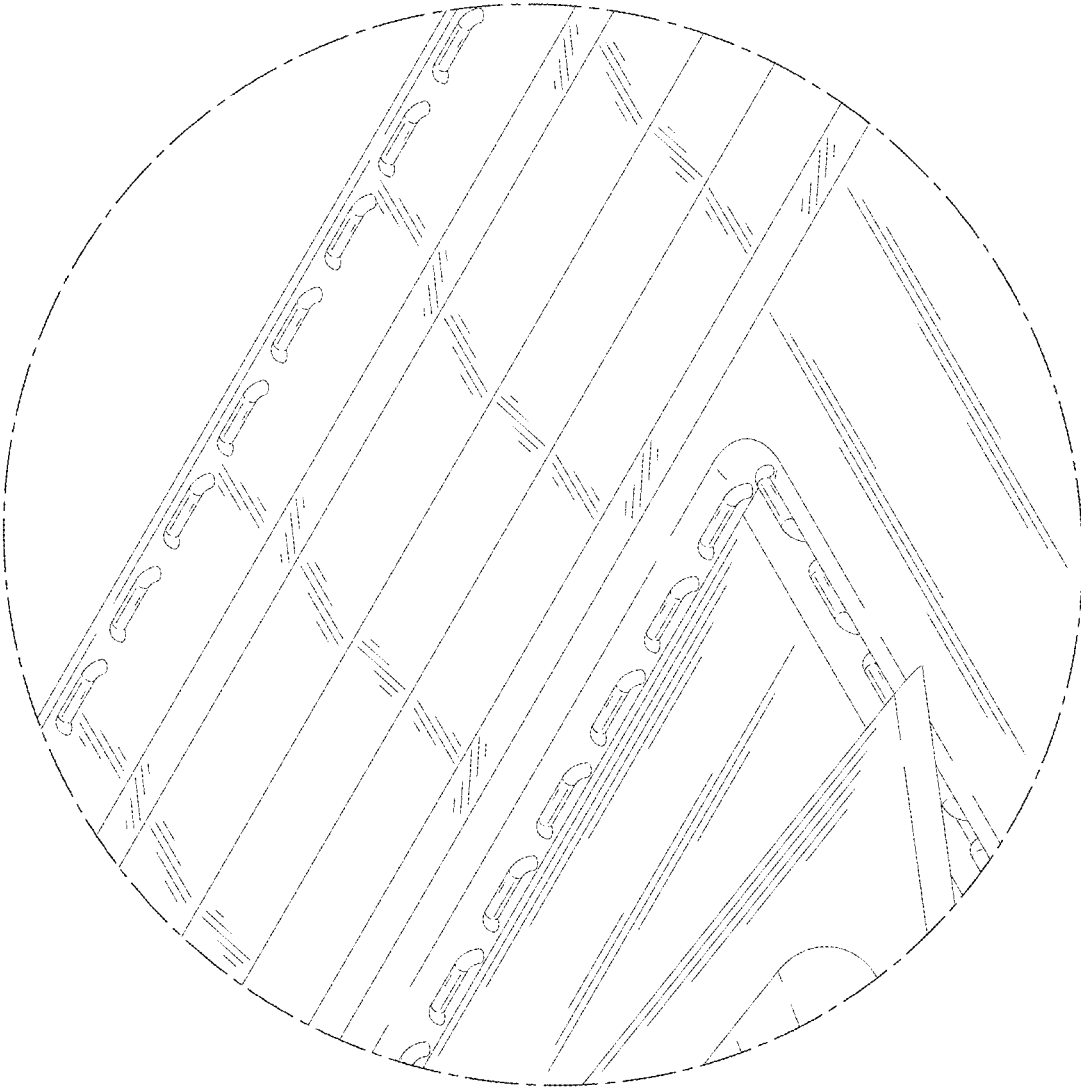


FIG. 9

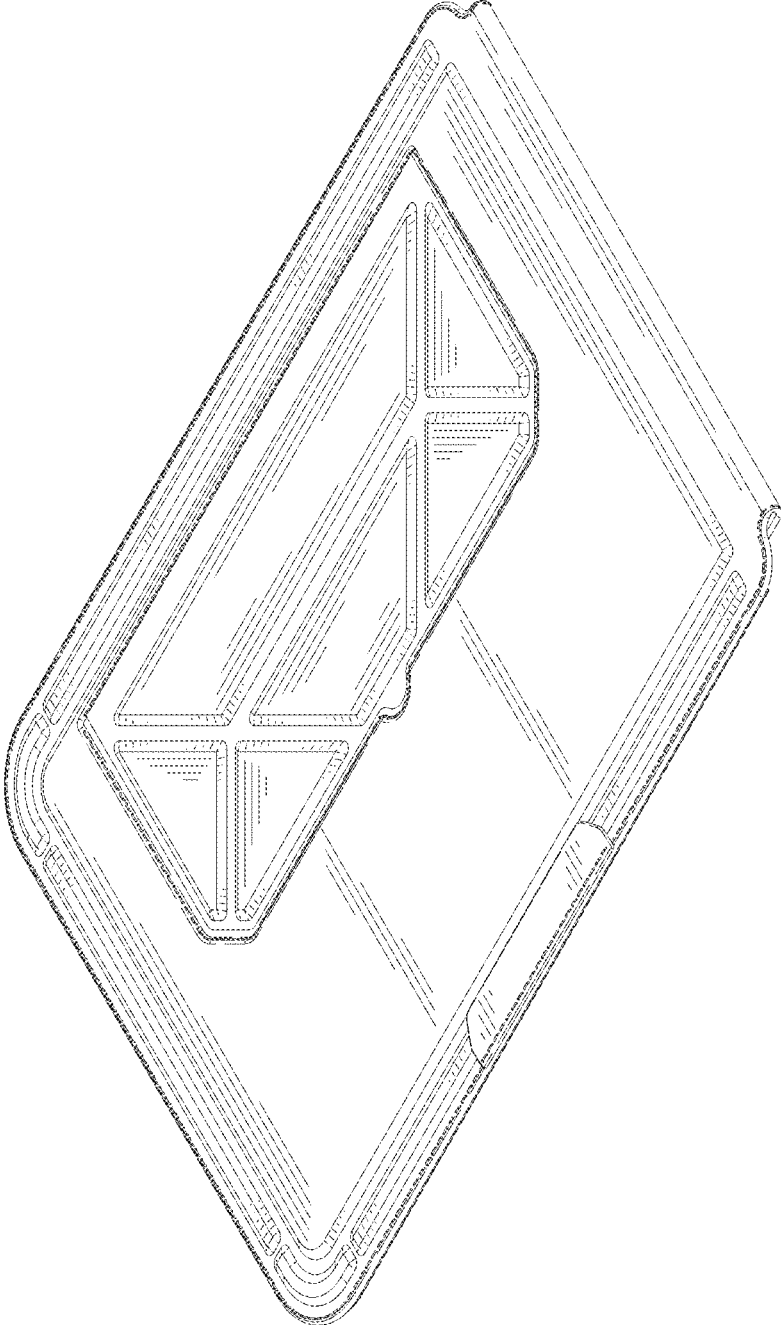


FIG. 10

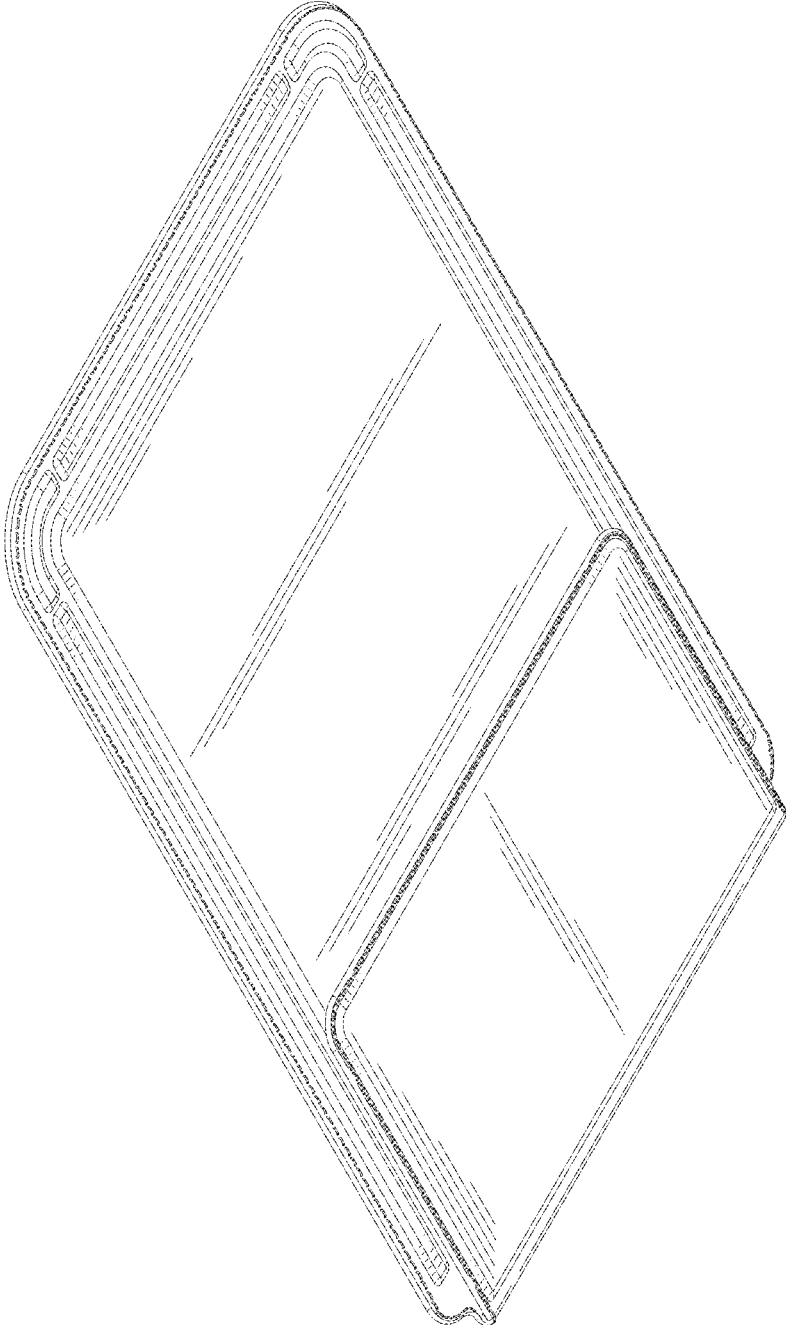


FIG. 11

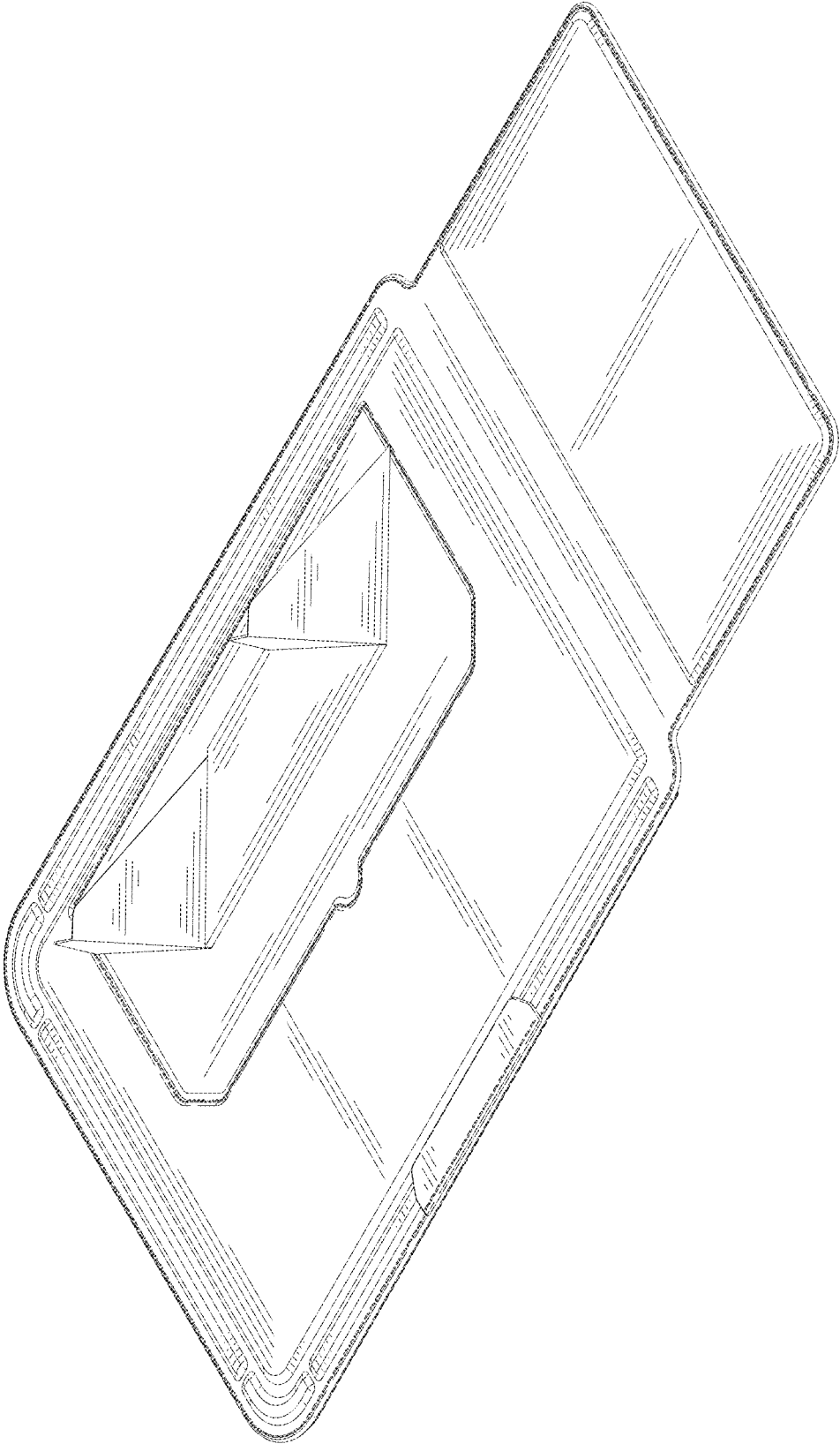


FIG. 12