



US00D717202S

(12) **United States Design Patent**
Thuma et al.

(10) **Patent No.:** **US D717,202 S**

(45) **Date of Patent:** **** Nov. 11, 2014**

(54) **PLANTER**

(71) Applicant: **Suncast Technologies, LLC**, Palm Beach Gardens, FL (US)

(72) Inventors: **Michael Thuma**, La Grange, IL (US);
Brian C. Donnelly, Naperville, IL (US);
Michael R. Vogler, Oswego, IL (US)

(73) Assignee: **Suncast Technologies, LLC**, Palm Beach Gardens, FL (US)

(**) Term: **14 Years**

(21) Appl. No.: **29/479,714**

(22) Filed: **Jan. 17, 2014**

(51) **LOC (10) Cl.** **11-02**

(52) **U.S. Cl.**
USPC **D11/152**

(58) **Field of Classification Search**
USPC D6/403-405; D9/428, 429;
D11/143-156, 164; 47/17, 18, 32.7,
47/33, 39, 41.01, 41.11-41.15, 65, 65.5,
47/66.1, 66.6, 66.7, 67-71; D7/531
See application file for complete search history.

(56) **References Cited**

U.S. PATENT DOCUMENTS

D199,336 S * 10/1964 Wanderer D9/429
D340,674 S * 10/1993 Carlson D11/152

D445,414 S * 7/2001 Powers, Jr. D14/207
D461,432 S * 8/2002 Carlson D11/153
D502,669 S * 3/2005 Smith et al. D11/155
D564,394 S * 3/2008 Schmidt D11/152
D594,775 S * 6/2009 Moreau D11/152
D614,080 S * 4/2010 Woerner D11/152
D636,701 S * 4/2011 White D11/152
D704,592 S * 5/2014 Hung et al. D11/152
D708,546 S * 7/2014 Hung et al. D11/151
2013/0269250 A1 * 10/2013 Hung 47/65.5

* cited by examiner

Primary Examiner — Elizabeth Albert

(74) *Attorney, Agent, or Firm* — McHale & Slavin, P.A.

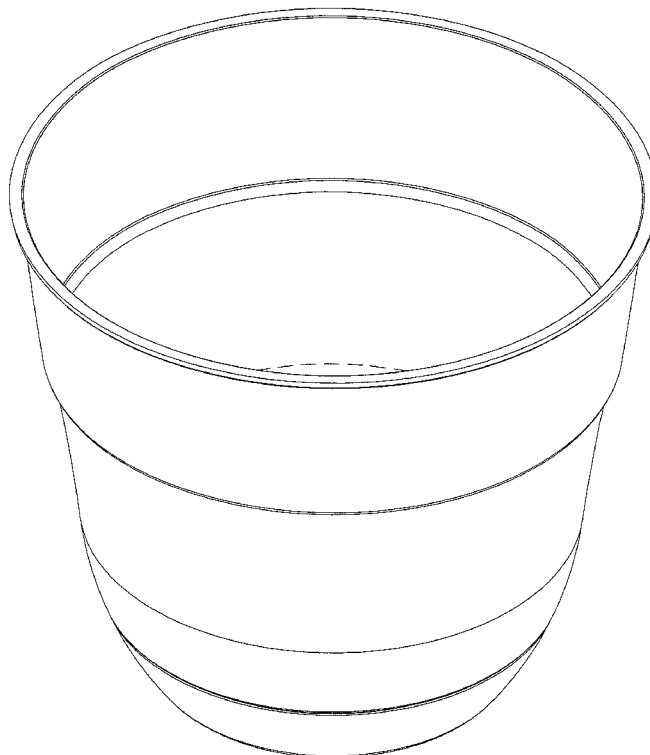
(57) **CLAIM**

The ornamental design for a planter, as shown and described.

DESCRIPTION

FIG. 1 is a top perspective view of the planter of the present invention;
FIG. 2 is a front view, the rear view being mirror image thereof;
FIG. 3 is a left side view, the right side view being a mirror image thereof;
FIG. 4 is a top view thereof; and,
FIG. 5 is a bottom view thereof.
The portions of the inside and bottom of the planter in broken lines are included for the purpose of showing portions that form no part of the claimed design.

1 Claim, 5 Drawing Sheets



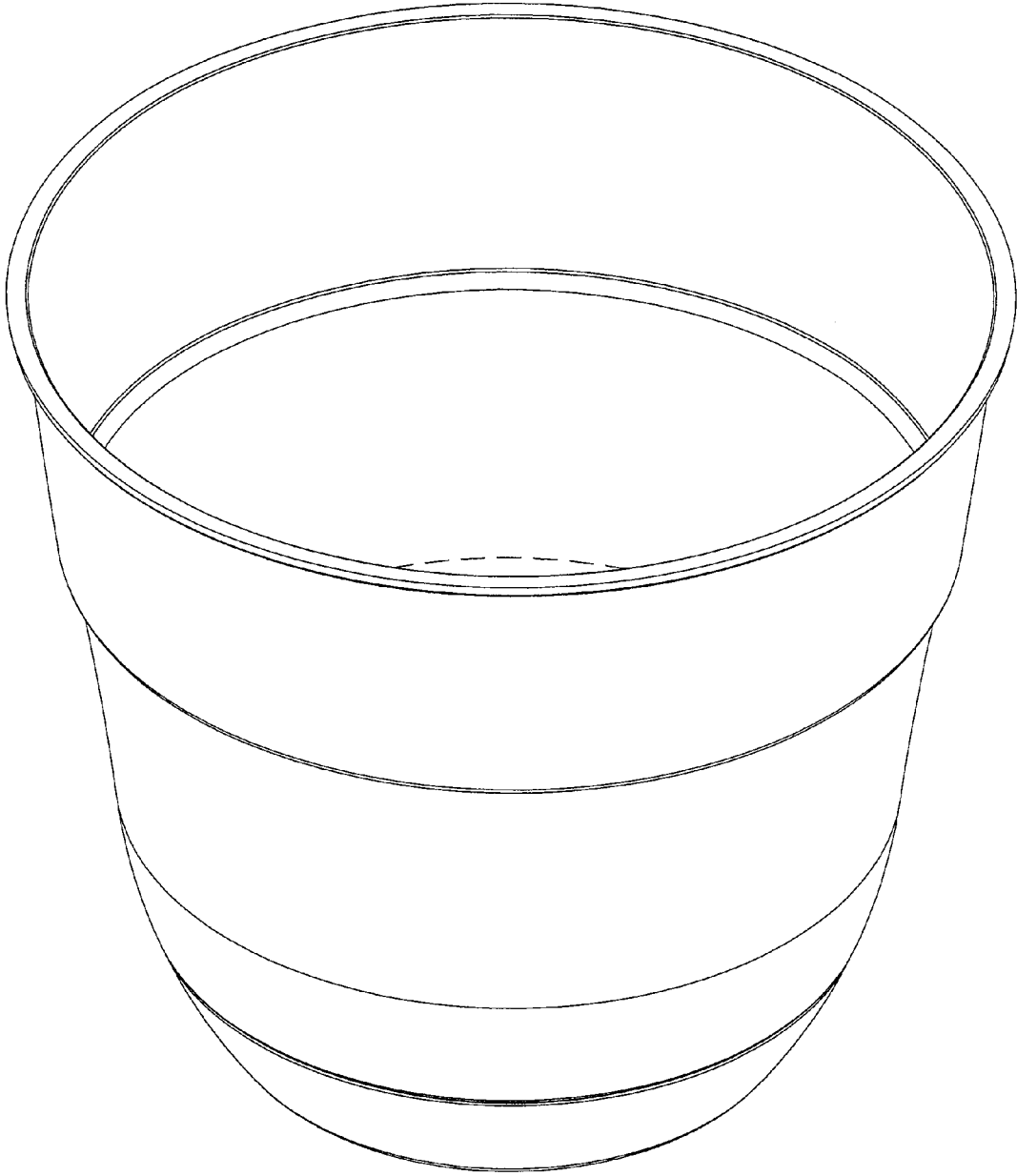


Fig. 1

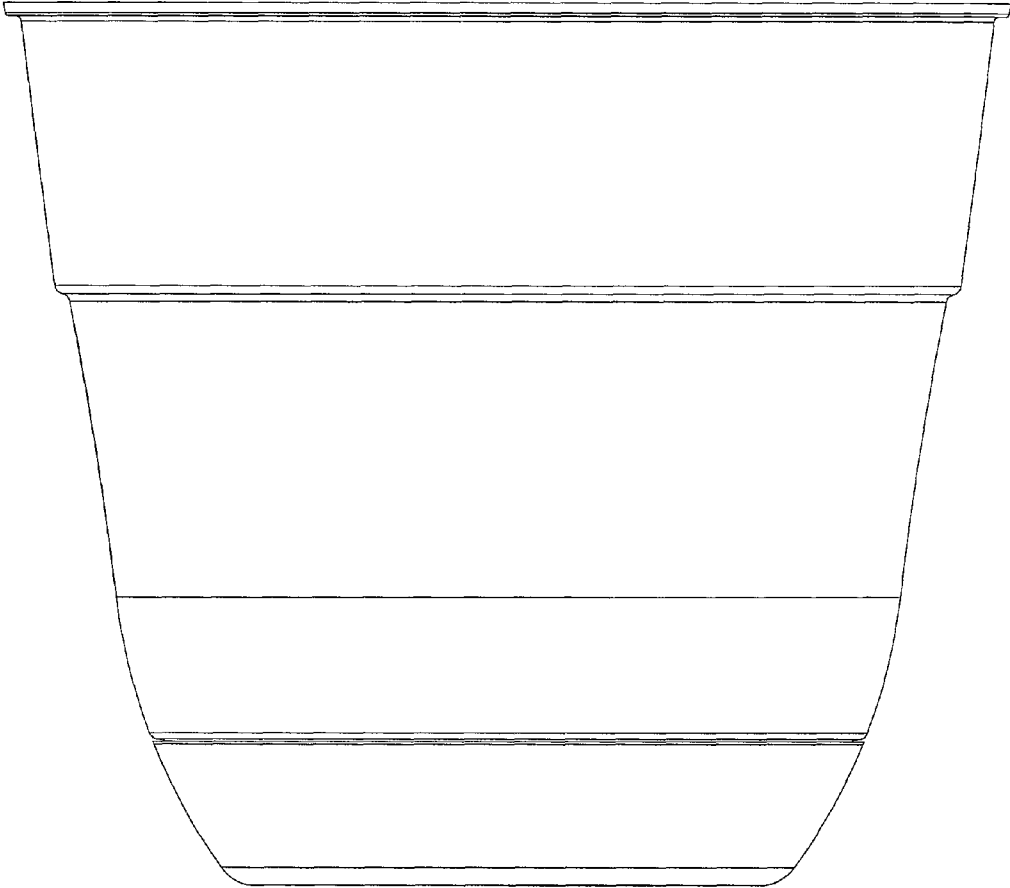


Fig. 2

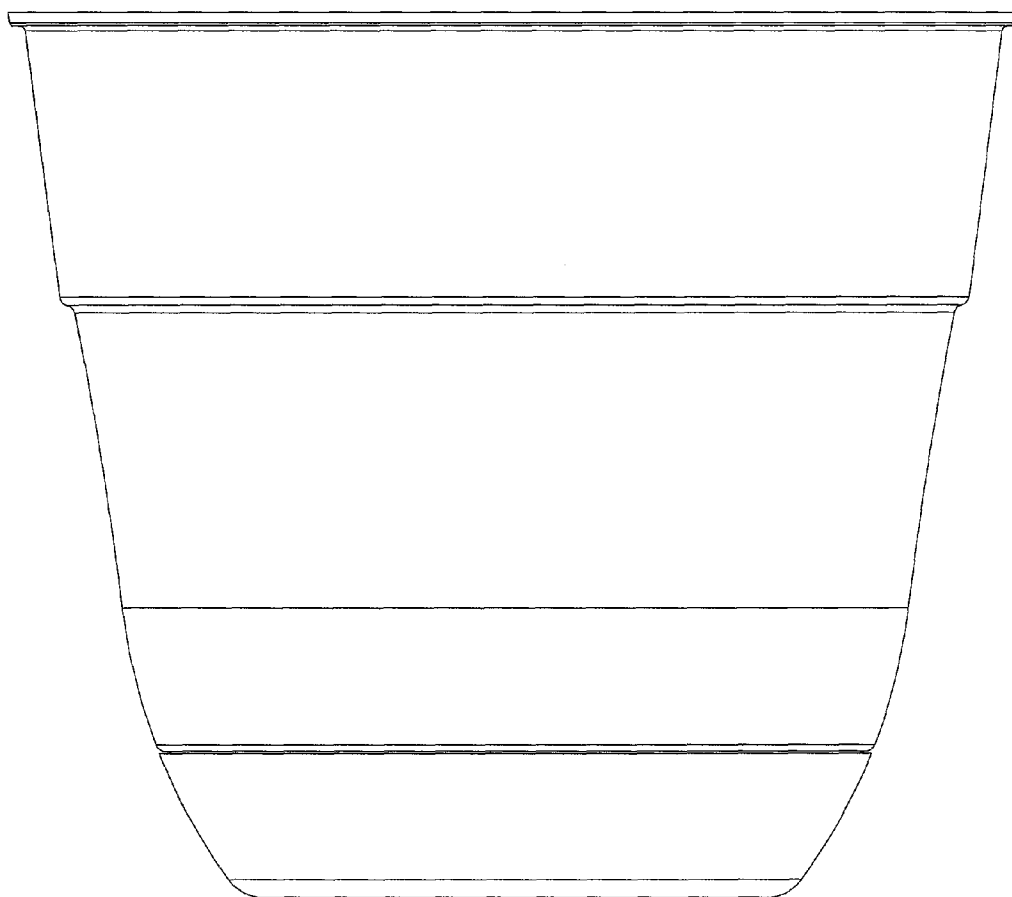


Fig. 3

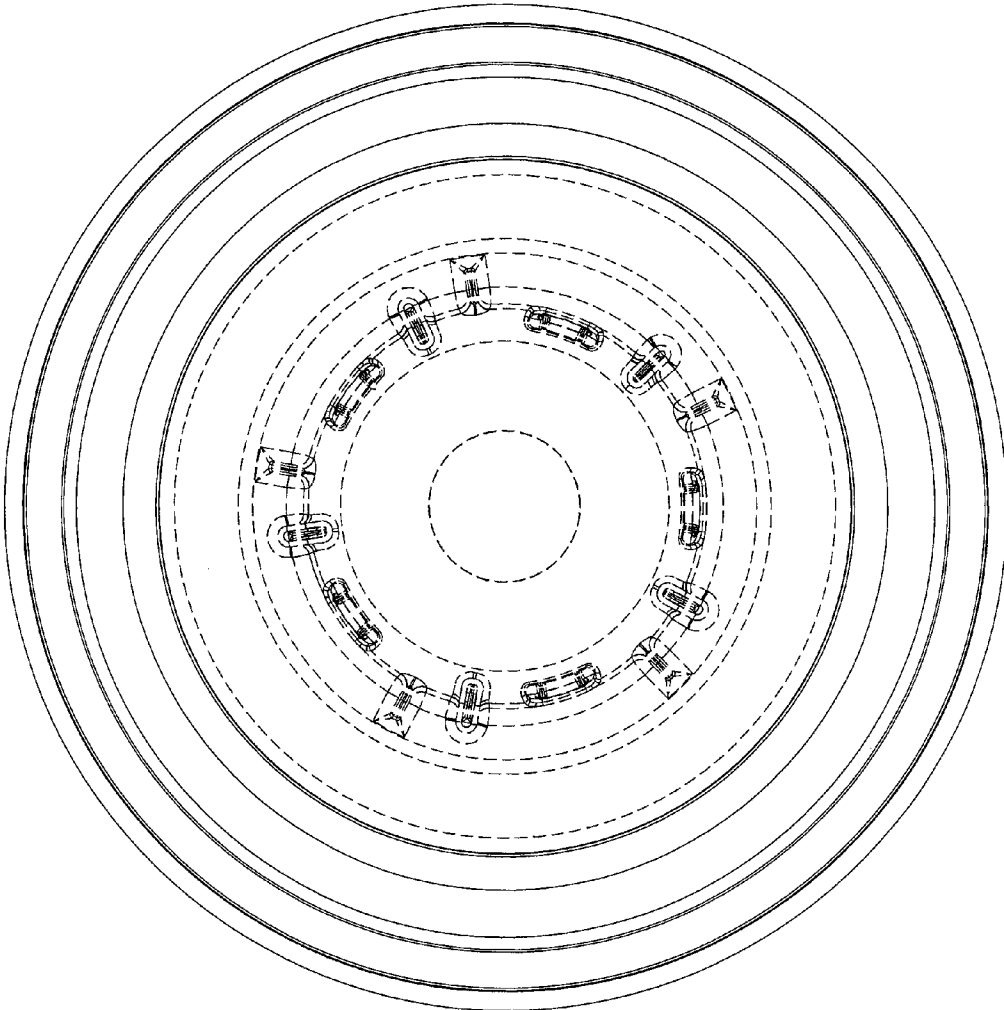


Fig. 4

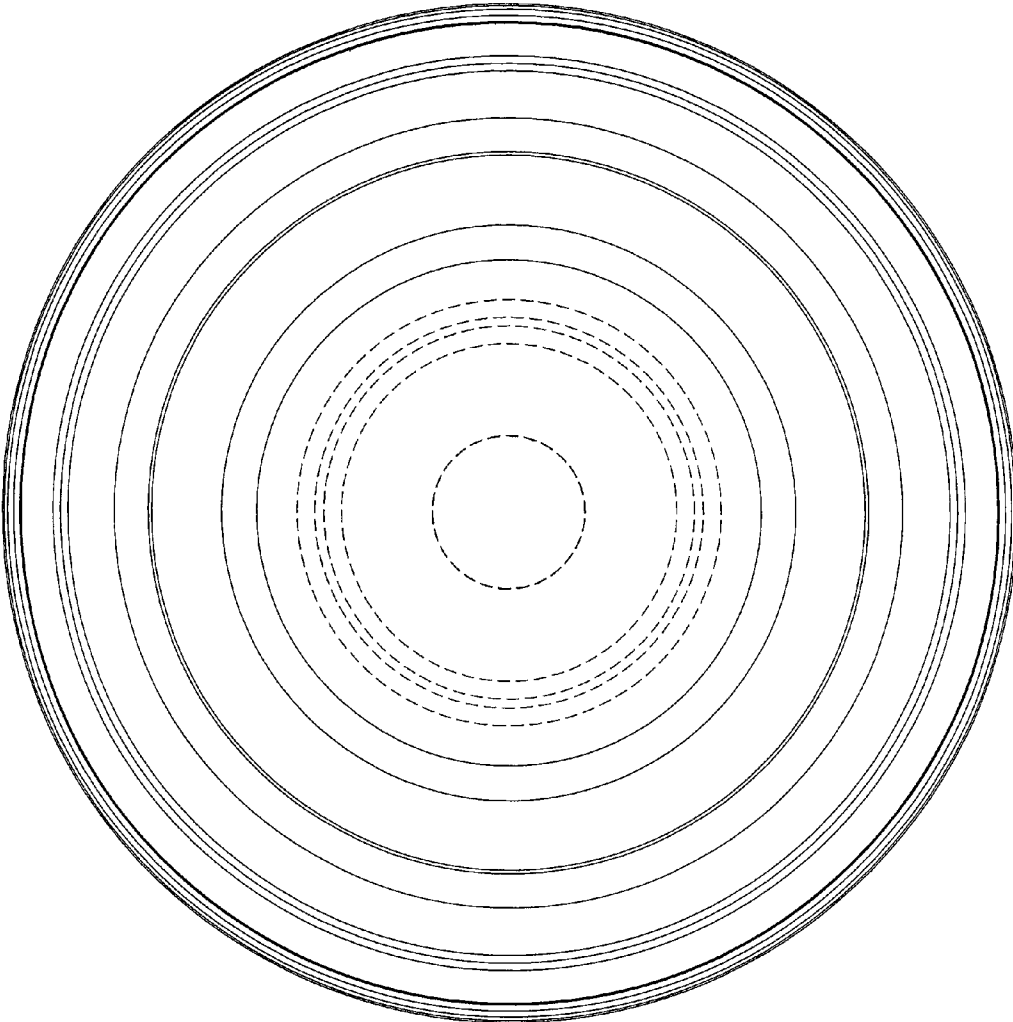


Fig. 5