



US00D458927S

(12) **United States Design Patent**
Wang et al.

(10) **Patent No.:** **US D458,927 S**

(45) **Date of Patent:** **** Jun. 18, 2002**

(54) **LIQUID CRYSTAL DISPLAY MONITOR**

D410,449 S * 6/1999 Chen D14/375
D438,862 S * 3/2001 Brandenburg D14/336
D439,901 S * 4/2001 Ono et al. D14/375

(75) Inventors: **Liang Chin Wang; Li-Ping Chen**, both
of Taipei (TW)

* cited by examiner

(73) Assignee: **Hon Hai Precision Ind. Co., Ltd.**,
Taipei Hsien (TW)

Primary Examiner—Freda Nunn
(74) *Attorney, Agent, or Firm*—Wei Te Chung

(**) Term: **14 Years**

(57) **CLAIM**

(21) Appl. No.: **29/140,212**

The ornamental design for a liquid crystal display monitor,
as shown.

(22) Filed: **Apr. 12, 2001**

DESCRIPTION

(51) **LOC (7) Cl.** **14-02**

FIG. 1 is a perspective view of a liquid crystal display
monitor showing our new design;

(52) **U.S. Cl.** **D14/375**

FIG. 2 is a front elevational view thereof;

(58) **Field of Search** D14/371, 374,
D14/375, 376, 377, 125-129; 345/104,
156, 168, 173; 248/917-924; 348/180,
184, 325, 739; 349/1, 2, 11, 62; 341/12

FIG. 3 is a rear elevational view thereof;

FIG. 4 is a left side elevational view thereof;

FIG. 5 is a right side elevational view thereof;

FIG. 6 is a top plan view thereof; and,

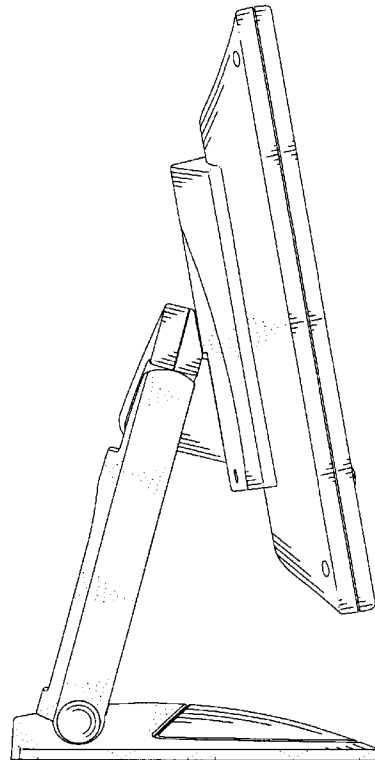
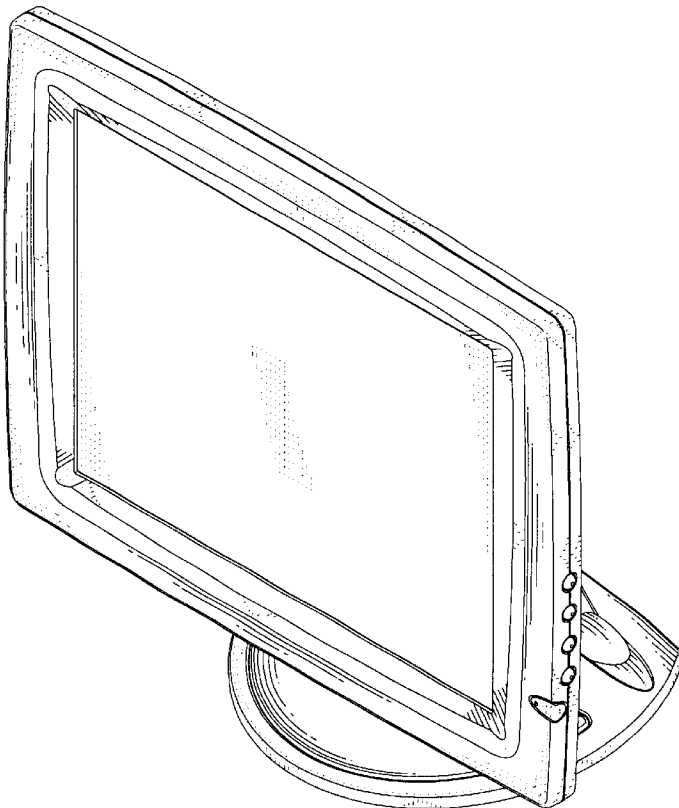
FIG. 7 is a bottom plan view thereof.

(56) **References Cited**

U.S. PATENT DOCUMENTS

D391,935 S * 3/1998 Sakaguchi et al. D14/375

1 Claim, 5 Drawing Sheets



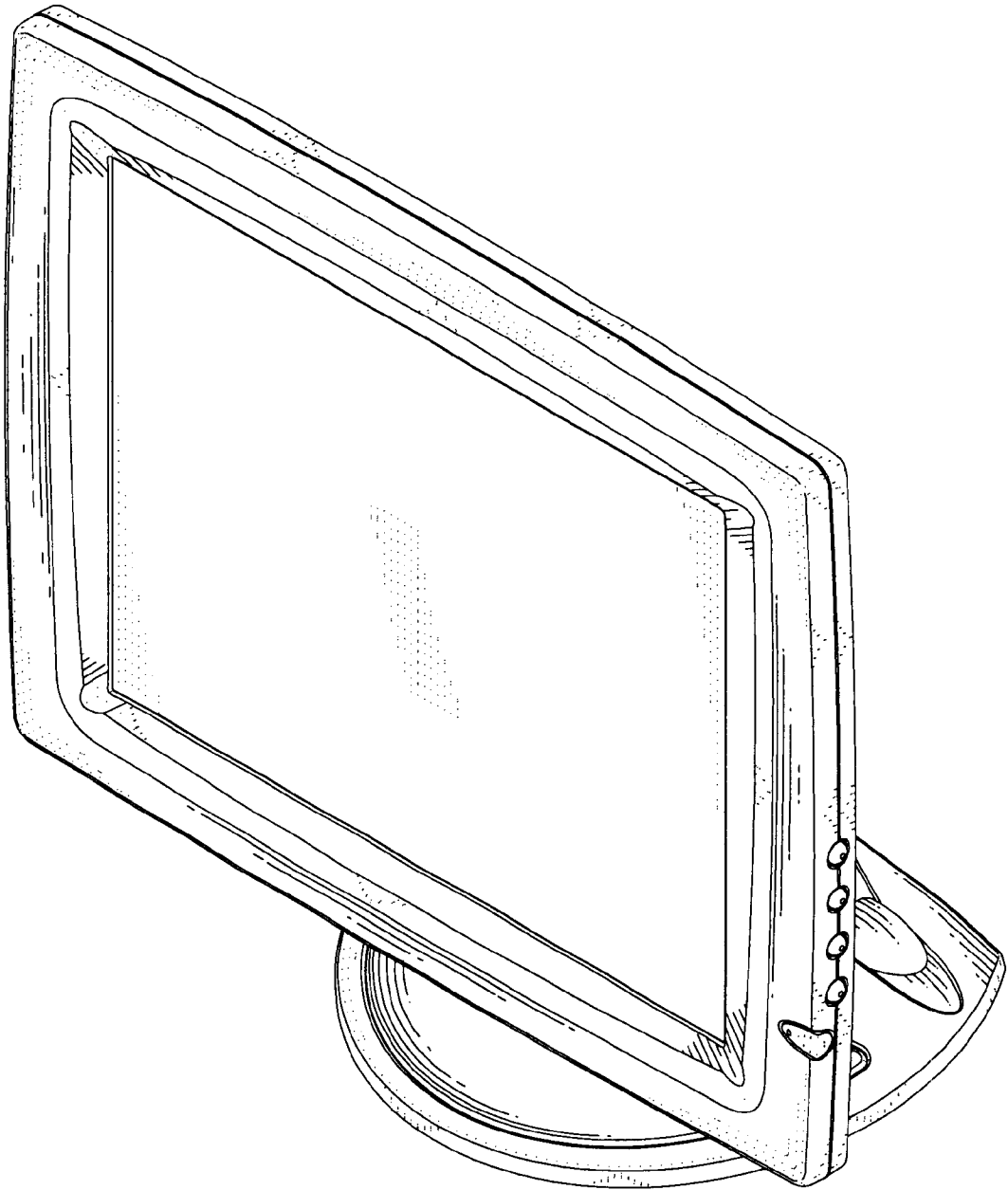


FIG. 1

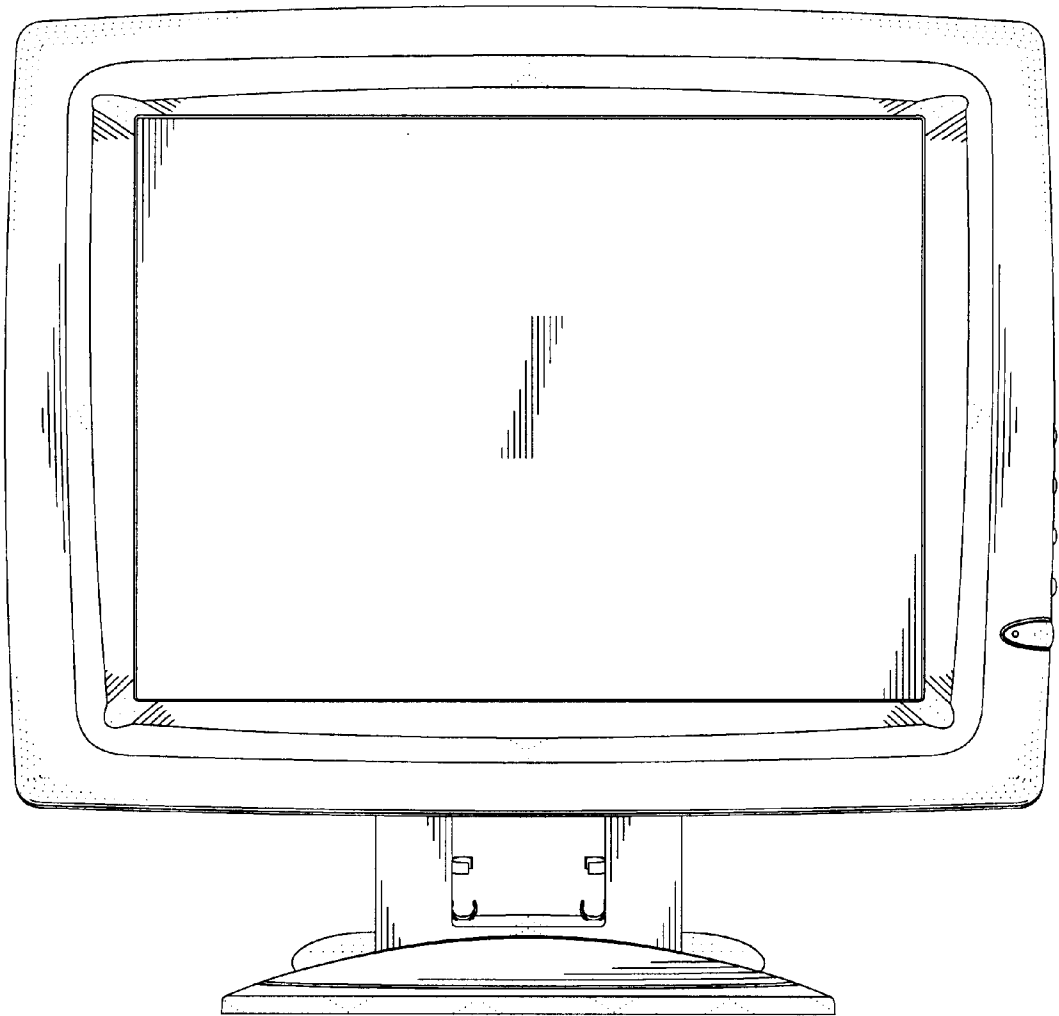


FIG. 2

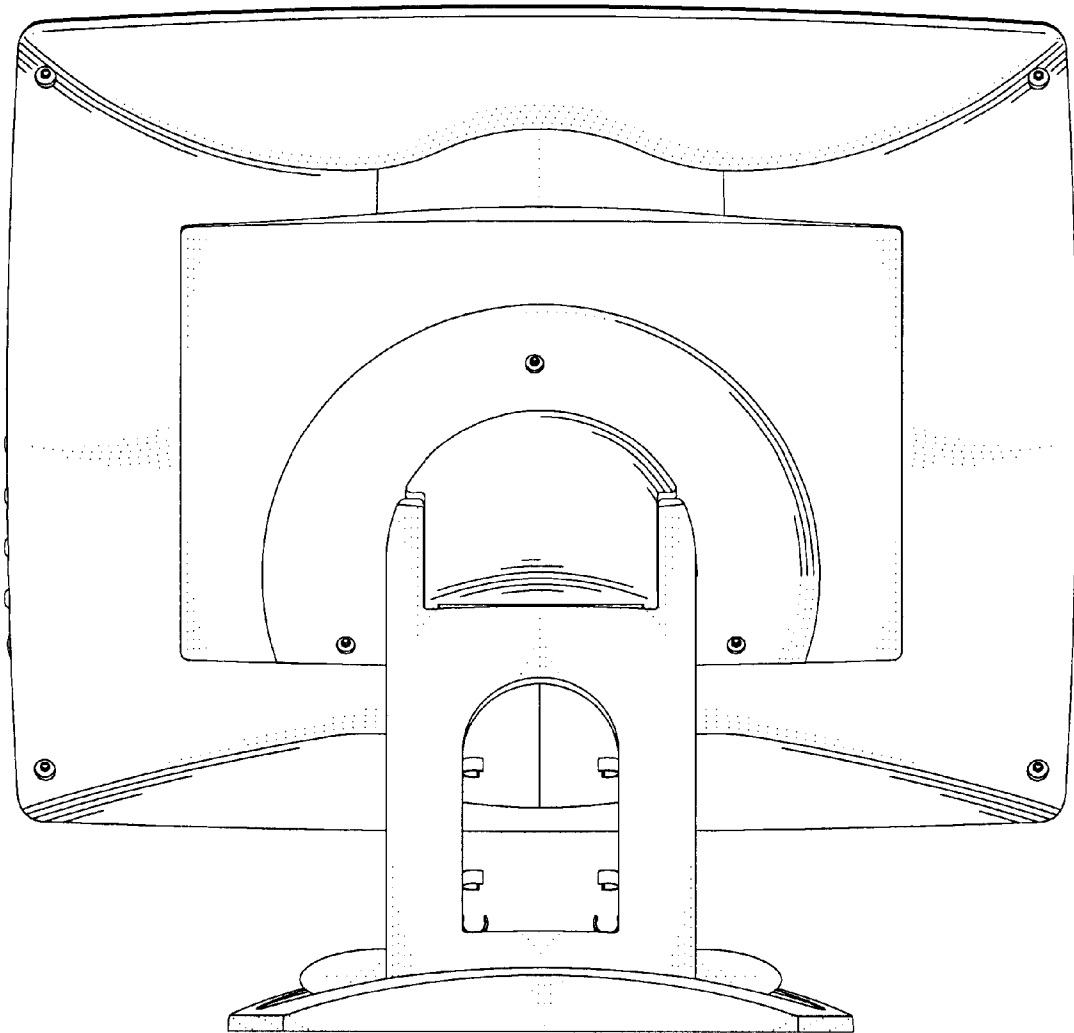


FIG. 3

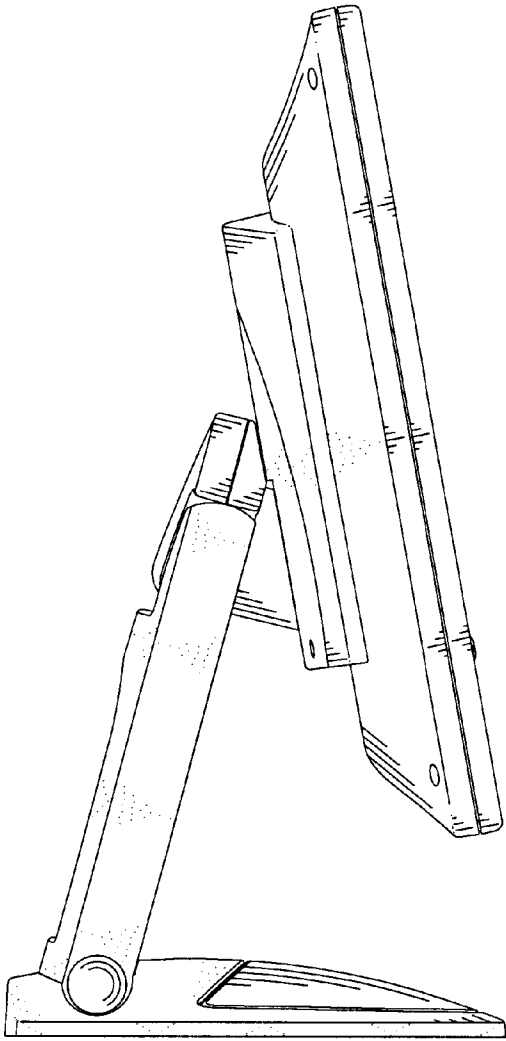


FIG. 4

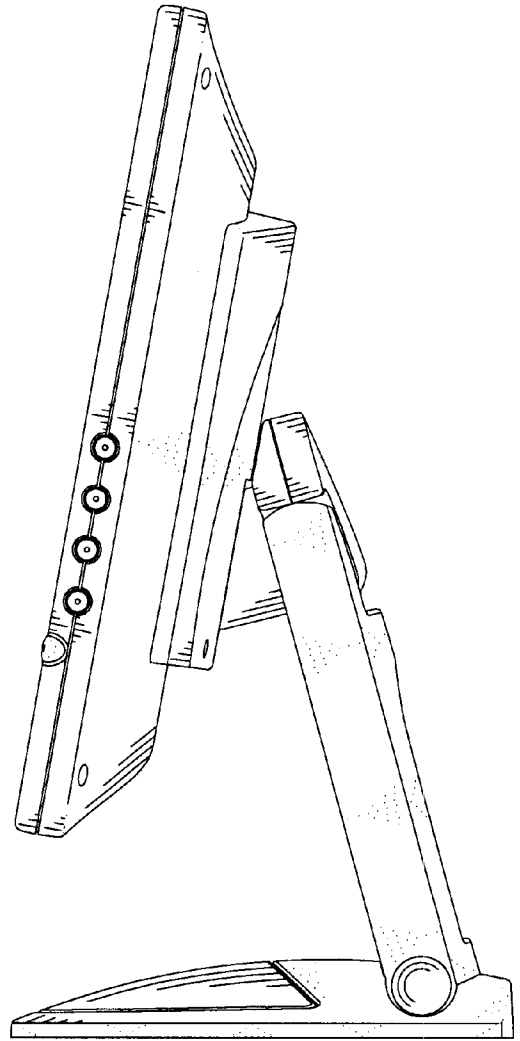


FIG. 5

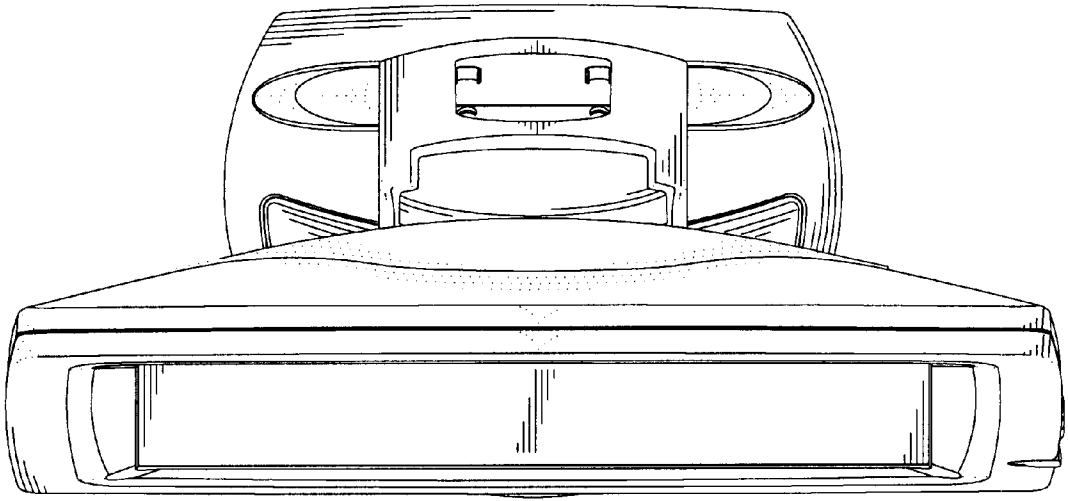


FIG. 6

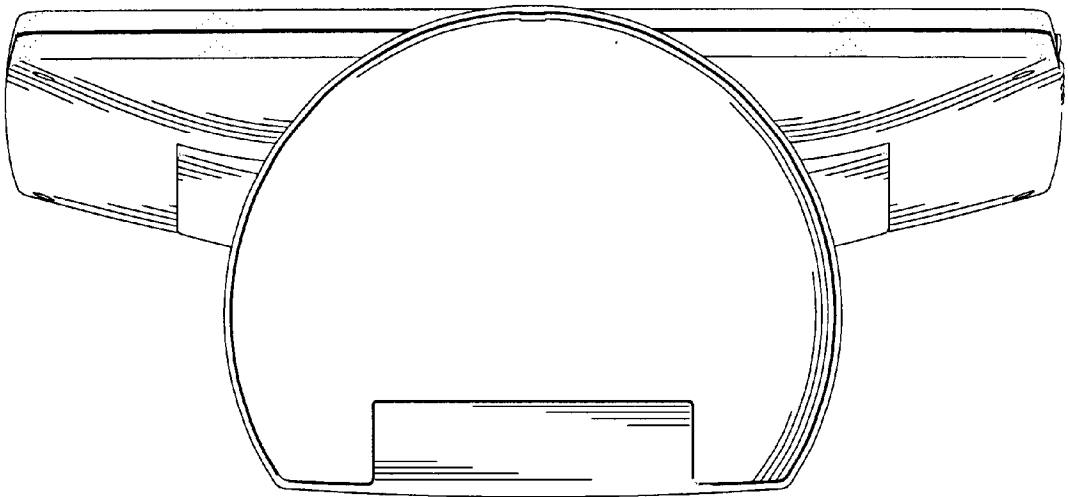


FIG. 7