

[54] PENCIL HOLDER

[75] Inventor: Robert J. Tiedemann, Stamford, Conn.

[73] Assignee: Sheller-Globe Corporation, Toledo, Ohio

[**] Term: 14 Years

[21] Appl. No.: 801,828

[22] Filed: May 31, 1977

[51] Int. Cl. D19-02

[52] U.S. Cl. D19/85; D6/188;
D19/75

[58] Field of Search D19/23, 65, 75, 77,
D19/79, 81, 84, 85, 90, 93, 95; 206/214;
D9/176, 177, 184; D7/71; D87/5 E, 1 R

[56] References Cited

U.S. PATENT DOCUMENTS

D. 162,988	4/1951	Rincler	D9/179
D. 241,683	9/1976	Mark	D9/184
3,104,027	9/1963	Kulig	D9/184

FOREIGN PATENT DOCUMENTS

421813	9/1966	Switzerland	D9/184
--------	--------	-------------------	--------

OTHER PUBLICATIONS

A. Sain Inc. Cat., 1975, p. 13, Item #672.

Primary Examiner—Joel Stearman

Assistant Examiner—George P. Word

Attorney, Agent, or Firm—David H. Wilson

[57] CLAIM

The ornamental design for a pencil holder, as shown.

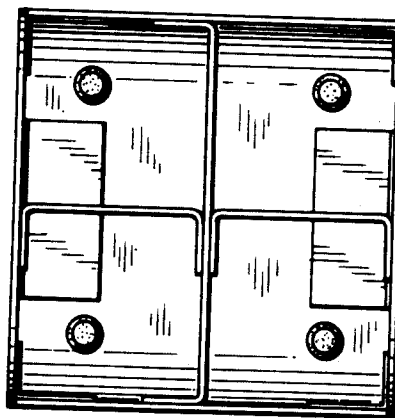
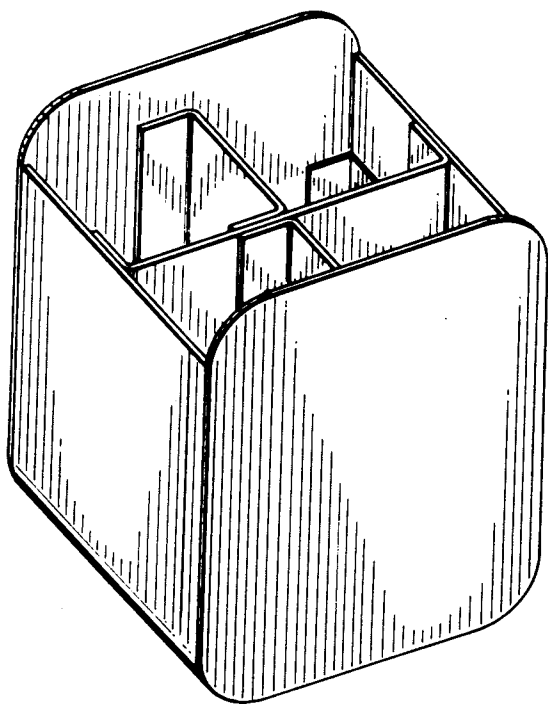
DESCRIPTION

FIG. 1 is a perspective view of a pencil holder embodying my new design;

FIG. 2 is a side elevational view thereof;

FIG. 3 is a top plan view thereof; and

FIG. 4 is a bottom plan view thereof.



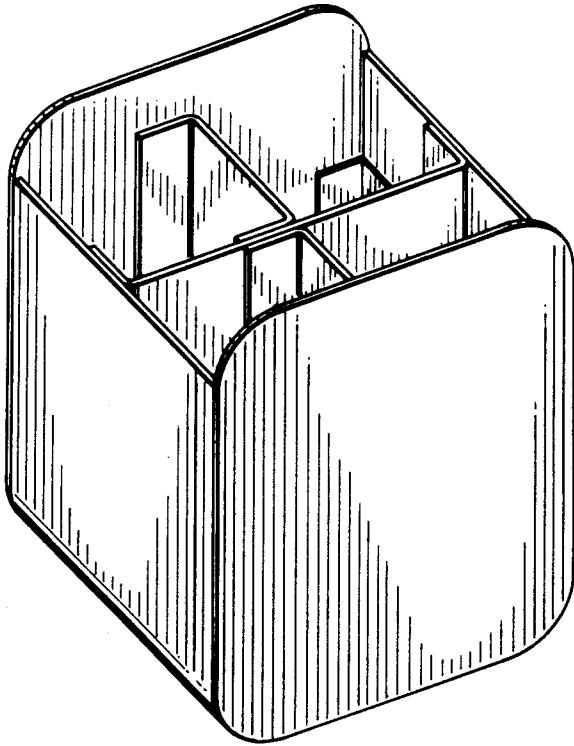


FIG. 1

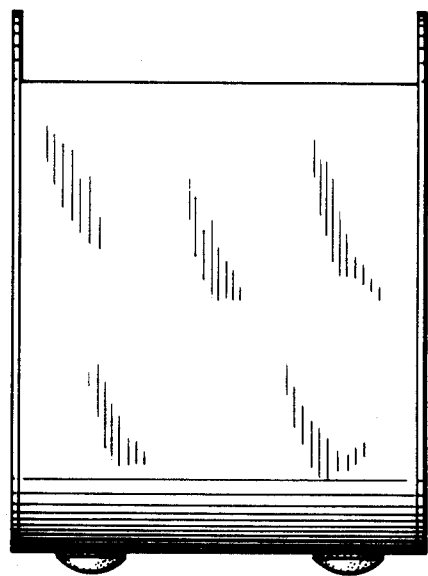


FIG. 2

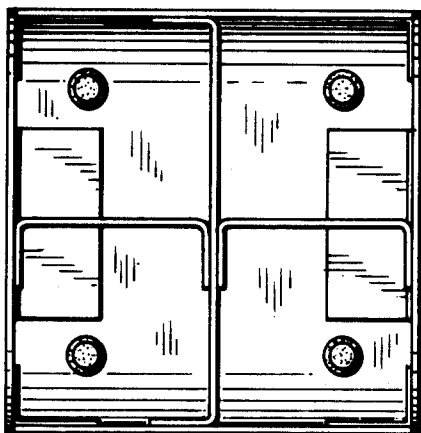


FIG. 3

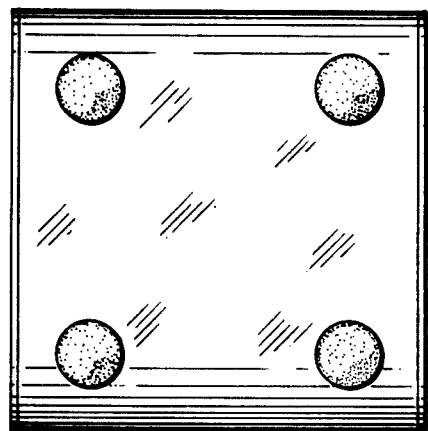


FIG. 4