



(51) International Patent Classification:

B29C 45/27 (2006.01) B29C 45/23 (2006.01)
B29C 45/20 (2006.01) B29C 45/28 (2006.01)

(21) International Application Number:

PCT/US2020/053452

(22) International Filing Date:

30 September 2020 (30.09.2020)

(25) Filing Language:

English

(26) Publication Language:

English

(30) Priority Data:

16/599,564 11 October 2019 (11.10.2019) US

(71) Applicant: **INCOE CORPORATION** [US/US]; 2850 High Meadow Circle, Auburn Hills, MI 48326 (US).

(72) Inventors: **GREB, Scott**; 58254 Pleasant View Court, Washington Township, MI 48094 (US). **JOERG, Anton**; Bachstrasse 77, 63762 Grossostheim (DE). **STRIEGEL, Christian**; Kiesweg 2, 63512 Hainburg, Hessen (DE).

(74) Agent: **EVANINA, Gunther, J.**; Butzel Long Docketing Department, 2410 Woodlake Drive, Suite 420, Okemos, MI 48864 (US).

(81) Designated States (*unless otherwise indicated, for every kind of national protection available*): AE, AG, AL, AM, AO, AT, AU, AZ, BA, BB, BG, BH, BN, BR, BW, BY, BZ,

CA, CH, CL, CN, CO, CR, CU, CZ, DE, DJ, DK, DM, DO, DZ, EC, EE, EG, ES, FI, GB, GD, GE, GH, GM, GT, HN, HR, HU, ID, IL, IN, IR, IS, IT, JO, JP, KE, KG, KH, KN, KP, KR, KW, KZ, LA, LC, LK, LR, LS, LU, LY, MA, MD, ME, MG, MK, MN, MW, MX, MY, MZ, NA, NG, NI, NO, NZ, OM, PA, PE, PG, PH, PL, PT, QA, RO, RS, RU, RW, SA, SC, SD, SE, SG, SK, SL, ST, SV, SY, TH, TJ, TM, TN, TR, TT, TZ, UA, UG, US, UZ, VC, VN, WS, ZA, ZM, ZW.

(84) Designated States (*unless otherwise indicated, for every kind of regional protection available*): ARIPO (BW, GH, GM, KE, LR, LS, MW, MZ, NA, RW, SD, SL, ST, SZ, TZ, UG, ZM, ZW), Eurasian (AM, AZ, BY, KG, KZ, RU, TJ, TM), European (AL, AT, BE, BG, CH, CY, CZ, DE, DK, EE, ES, FI, FR, GB, GR, HR, HU, IE, IS, IT, LT, LU, LV, MC, MK, MT, NL, NO, PL, PT, RO, RS, SE, SI, SK, SM, TR), OAPI (BF, BJ, CF, CG, CI, CM, GA, GN, GQ, GW, KM, ML, MR, NE, SN, TD, TG).

Published:

— with international search report (Art. 21(3))

(54) Title: HOT-RUNNER ASSEMBLY WITH INTERNALLY COOLED AXIALLY MOUNTED ELECTRIC ACTUATOR

(57) Abstract: A hot-runner injection molding apparatus that facilitates use of electric actuators in a compact design includes a hot-runner manifold defining resin channels for conveying resin to nozzles that serve as conduits for introducing liquid resin into a mold cavity, a valve pin configured for linear movement along a longitudinal axis of the nozzle to control flow of liquid resin through the nozzle, and an electric actuator having a body containing an electric motor, wherein the electric actuator body includes channels for circulating a coolant.

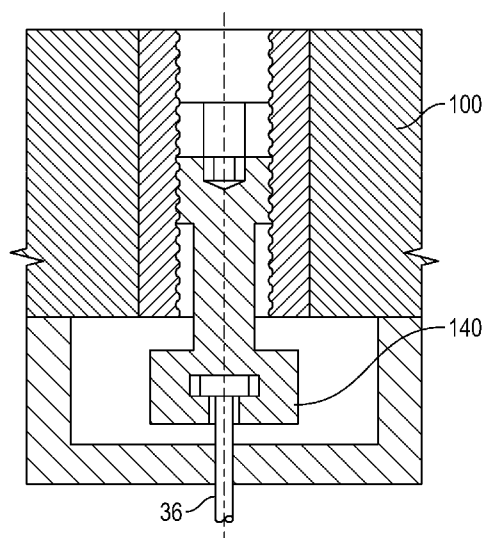


FIG. 4



**HOT-RUNNER ASSEMBLY WITH INTERNALLY COOLED
AXIALLY MOUNTED ELECTRIC ACTUATOR**

CROSS-REFERENCE TO RELATED APPLICATIONS

[0001] This application claims priority to U.S. Application No. 16/599,564, filed on October 11, 2019, which is hereby incorporated by reference in its entirety.

FIELD OF THE DISCLOSURE

[0002] This disclosure pertains to a hot-runner injection molding apparatus having an electric actuator configured for circulating a coolant fluid within the body of the actuator to facilitate mounting of the actuator in close proximity to the hot-runner manifold while preventing overheating of the electric motor of the actuator, and more particularly to such apparatus wherein the actuator can be axially assembled on the hot-runner manifold without substantial lateral clearance, allowing a plurality of actuators to be assembled onto the manifold in very close proximity to each other.

DISCUSSION OF THE PRIOR ART

[0003] U.S. Patent Nos. 9,492,960 and 9,937,648 disclose an apparatus for controlling fluid flow to a mold, which includes a manifold, a valve pin having a pin axis, a pin connector and a stem, the valve pin being drivable into and out of open and closed positions relative to the gate. An electric actuator comprising an electric motor comprised of a motor housing that houses a drive shaft having a drive gear and a drive axis, a transmission comprised of a gear shaft, the drive gear and the transmission gear being drivably interconnected and arranged such that the drive axis and the gear axis are non-coaxially mounted or disposed relative to each other, wherein one or the other of the motor housing or the transmission housing are removably attached to a top clamping or

mounting plate that is mounted upstream of the manifold and fixedly interconnected to a mold.

[0004] U.S. Patent No. 6,294,122 discloses an injection molding machine including an apparatus for controlling movement of a pin comprising a plastic melt flow channel having an output end for delivering molten plastic injected into the channel under pressure to a mold cavity, wherein the pin comprises an elongated rod having an axis and an end, the pin being slidably mounted within the channel for movement along its axis within the channel, an electrically driven motor drivably interconnected to an actuating mechanism, wherein the actuating mechanism is drivably interconnected to the end of the pin, the motor being controllably drivable to drive the pin through movement along its axis within the channel.

[0005] EP 2679374A1 discloses an apparatus for injection molding of plastic materials, which includes a hot runner, at least one injector, including a nozzle mobile within which is a valve pin driven by a rotary electric motor and an associated transmission including a screw-and-nut assembly for converting the rotation of the shaft of the electric motor into a translation of the valve pin. At least two from among the valve pin, the rotary electric motor and the screw-and-nut assembly are set parallel alongside one another.

BACKGROUND OF THE DISCLOSURE

[0006] In a hot-runner injection molding apparatus, the liquid resin (molten plastic) is maintained in a molten state within channels defined in a heated manifold. The channels convey the molten plastic material from an injection molding machine to one or more nozzles that convey the molten plastic to at least one mold cavity via gates defined at an interface between the nozzle and the mold cavity. After the mold cavity is filled, only the mold cavity is cooled to allow removal of a solid molded part. The resin in the manifold channels and nozzles are maintained at a temperature sufficient to keep the plastic in a liquid state, thus reducing cycle time and waste as compared with cold runner

injection molding apparatuses, wherein the resin conveying channels are defined within the mold plates.

[0007] Because of the susceptibility of electric actuators to degradation and failure when exposed to the high temperatures needed at the hot-runner manifold, hydraulic or pneumatic actuators are typically employed in hot-runner injection molding apparatus to control the flow of molten resin into the mold cavity (or cavities). In these hot-runner injection molding apparatuses employing electric actuators, the electric actuators are positioned remotely from the manifold and/or are provided with external cooling means (e.g., a cooled plate between the manifold and actuator), adding considerable complexity and expense as compared with the more conventionally used pneumatic or hydraulic actuators.

[0008] Despite these generally recognized disadvantages with electric actuators, they also have advantages, including the ability to more precisely control valve pin movement and positioning, which in turn can have associated advantages pertaining to part quality and production efficiency.

SUMMARY OF THE INVENTION

[0009] This disclosure addresses the need for utilizing electric actuators for controlling valve pin position and movement in a hot-runner injection molding apparatus, while protecting the actuator from overheating and providing a more compact apparatus that does not use separate cooling plates or require remote mounting of the actuator. The apparatus includes a hot-runner manifold having a resin channel for conveying a liquid resin from an injection molding machine toward a mold cavity, a nozzle for conveying the liquid resin from an outlet end of the resin channel to an inlet of a mold cavity, a valve pin configured for linear movement along a longitudinal axis of the nozzle to control flow of the liquid resin through the nozzle and into the mold cavity, and a directly cooled electric actuator having an electric motor and a linear drive shaft, wherein both the electric motor and the linear drive shaft are contained within the body of the electric

actuator, and wherein the valve pin is directly or indirectly coupled to the drive shaft such that linear movement of the drive shaft produces co-linear movement of the valve pin.

[0010] The directly cooled electric actuator can be mounted in a space between the hot-runner manifold and an upper mounting plate.

[0011] In certain aspects of this disclosure, the directly cooled electric actuator is directly and releasably attached to a support having a relatively high resistance to conductive heat transfer (e.g., stainless steel or titanium).

[0012] In particular embodiments, the directly cooled electric actuator has, within the body of the actuator, a linear drive shaft and a transmission mechanism that converts rotational movement of the electric motor into translational movement of the drive shaft.

[0013] In particular aspects of this disclosure, the linear drive shaft has an internally threaded bore extending along the length of the shaft, and the body and/or housing of the actuator has openings at opposite ends (e.g., top and bottom) to allow access to the opposite ends of the threaded bore. This arrangement allows the upper end of the valve pin to extend upwardly into the internally threaded bore for engagement with an externally threaded valve pin nut. An externally threaded lock nut can be tightened against the valve pin nut on the side opposite of the valve pin to lock the position of the valve pin relative to the liner drive shaft.

[0014] The disclosed arrangement allows the actuator to be assembled onto the manifold along and coincident with the longitudinal axis of the nozzle and valve pin without requiring movement of the actuator laterally (i.e., radially) from the axis, thereby making it possible to design hot-runner injection molding systems (i.e., apparatus) having a plurality of nozzles, valve pins and actuators in closer proximity to each other than would otherwise be possible.

[0015] The arrangement allows an upper end of the valve pin (or a valve pin extension) to be positioned within the drive shaft and therefore within the body of the actuator, facilitating a vertically compact design.

BRIEF DESCRIPTION OF THE DRAWINGS

[0016] Figure 1 is an elevational cross-section of an apparatus in accordance with this disclosure.

[0017] Figure 2 is an enlarged view of the actuator and a portion of the hot-runner manifold on which the actuator is supported.

[0018] Figure 3 is a perspective view of an actuator support and mechanism for fixing the valve pin to a linear drive shaft.

[0019] Figure 4 is an enlarged cross-sectional view of an alternate embodiment in which the valve pin is indirectly coupled to the actuator drive shaft via a valve pin extension.

DETAILED DESCRIPTION

[0020] Shown in Figure 1 is a hot-runner assembly 10 for use in delivering liquid resin (typically a molten thermoplastic composition) from an injection molding machine (not shown) to a mold cavity 12 defined by mold plates 14, 16. The resin flows from the injection molding machine into a channel 18 disposed in a sprue bushing 20 heated by electrical resistance heating element 22 and is distributed through manifold channels 24 defined in heated (or heatable) manifold 26. The heated manifold is provided with electrical resistance heating elements 28 capable of maintaining the resin at a desired temperature that facilitates flow. The resin flows from the manifold channels 24 into an annular space 30 defined between internal walls 32 of nozzles 34 and a valve pin 36 that is linearly movable within nozzle 34 along a vertical longitudinal axis of the nozzle between an open position (shown for the nozzle on the left in Figure 1) and a closed position (shown for the nozzle on the right in Figure 1). When the valve pin 36 is in the open position, liquid resin flows into mold cavity 12. Nozzles 34 are maintained at a temperature sufficient to keep the resin in a liquid (flowable) state by electrical resistance heating elements 38. Nozzles 34 can be provided with external threads 40 on the inlet end of the nozzle which engage internal threads of a bore through the bottom of manifold

26 to provide a fluid-tight seal. The mold can define a single cavity or multiple cavities, and each cavity can be supplied with resin from a single nozzle or multiple nozzles.

[0021] The position and rate of movement of valve pins 36 are controlled by an actuator 100. Actuator 100 includes a body and/or housing for an electric motor 101 and converts rotational movement of the electric motor into linear movement (up and down in Figure 2) of a drive shaft 102, which in the illustrated example has an elongate internally threaded bore 104. Rotation of motor 101 generally around axis 105 can be connected to linear movement of drive shaft 102 such as by providing threaded structure on the rotor of electric motor 101 that engages external threads on drive shaft 102. The extent of travel of drive shaft 102 can be limited to the confines of the body of actuator 100. Bore 104 has a central axis 105 coincident with the central axis of pin 36 and nozzle 34. The body and/or housing of actuator 100 has a bottom opening 107 and a top opening 109 that allows access to threaded bore 104 to allow an externally threaded valve pin nut 106 to be threaded into bore 104. A lock nut 108 can be threaded into bore 104 from the top opening to lock the position of nut 106 and valve pin 36 after it has been adjusted. A lower end of nut 106 has an inwardly projecting semi-circumferential rim 111 that engages a circumferential groove 112 at an upper end of valve pin 36 to secure valve pin 36 to nut 106. An opening in the rim allows the valve pin 36 to be inserted into nut 106. The threaded connection between valve pin nut 106 and drive shaft 102 can be replaced with a fixed or other connection between the shaft 102 and nut 106, although this would eliminate the possibility of manually adjusting the valve pin position (as described below).

[0022] Nut 106 has a tool-head engagement structure 114 that can be engaged by a tool, such as an allen wrench to allow manual adjustment of the position of nut 106 and pin 36. Similarly, lock nut 108 has a tool-head engagement structure 116 to allow tightening of lock nut 108 against valve pin nut 106 using a tool such as an allen wrench. In the illustrated embodiment, engagement structures 114 and 116 are hexagonal sockets. However, other shapes or tool-engagement means are possible. Top plate 64 can be provided with openings or bores 117 to allow access to tool engagement structure (e.g.,

sockets 114, 116) to allow manual adjustment of the valve pin position without removal of plate 64 or disassembly of hot-runner assembly 10.

[0023] Electrical connectors 118, 120 are provided for powering and controlling the electric motor, and to power and receive signals from an encoder that tracks drive shaft position.

[0024] A coolant inlet port 122 and a coolant outlet port 124 are provided to allow a coolant (e.g., chilled water or oil) to be circulated through the body and/or housing of the actuator to protect the motor against degradation or failure caused by overheating.

[0025] Actuator 100 can be supported on an insulating support member 126. Support 126 can, and preferably does, have a relatively low thermal conductivity. Preferred materials for member 126 are stainless steel and titanium or other material having a thermal conductivity equal to or less than the thermal conductivity of titanium. Support 126 can be releasably secured to manifold 26, such as with screws or bolts (not shown).

[0026] When assembled, the upper end of valve pin 36 extends into bore 104 through openings in manifold 26, support 126 and the body or housing of actuator 100 to provide a vertically compact design for apparatus 10.

[0027] An anti-rotation plate or guide 130 can be releasably secured to support 126 with bolts 132. Plate 130 has an aperture 134 for passage of valve pin 36. Aperture 134 has a shape configured to engage a section of valve pin 36 having a non-circular profile to prevent rotation of the pin around the longitudinal axis of the pin 36 and nozzle 34. In the illustrated embodiment, the non-circular profile includes two opposing flat or planar surfaces 136 (one of which is shown in Figure 3). While flat surfaces 136 are engaged by straight edges of aperture 134 in the illustrated embodiment, other anti-rotational means can be provided, such as splines, grooves, and other structures that can prevent rotation of valve pin 36.

[0028] Manifold 26 and actuators 100 are located in a space generally bounded by a top mold plate 64 and an intermediate mold plate 66.

[0029] Assembly 10 can also include various lower support elements 68, dowels 70, and upper support elements 72 for facilitating proper alignment and spacing of the components of the assembly.

[0030] A pin seal 138 prevents liquid resin from leaking upwardly from channel 24 of manifold 26.

[0031] The disclosed apparatus allows adjustment of the valve pin using dedicated tools/wrenches etc. from the back side of the actuator (opposite valve pin or valve pin elongation side).

[0032] The disclosed apparatus can allow coupling and decoupling of the cooled actuator axially to the valve pin.

[0033] The valve pin can be suspended within the height of the actuator.

[0034] The disclosed apparatus can also allow mounting of the cooled actuator axially to the valve pin on a thermal insulation support in direct contact to the hot-runner manifold; wherein the support can protrude along the actuator corners.

[0035] Shown in Figure 4 is an alternative arrangement in which the valve pin 36 is indirectly coupled to drive shaft 102 (rather than directly as shown in Figures 1 and 2) by a valve pin extension 140.

[0036] The actuator 100 can be installed and coupled to the valve pin 36 axially, i.e., without moving the actuator laterally away from axis 105. This can be accomplished by first positioning the valve pin through the manifold and into the associated nozzle with an upper end of the valve pin projecting upwardly from the top of the manifold (i.e., the surface opposite the surface from which the nozzles extend). Thereafter, support 126 can be attached to the manifold (such as with screws) and anti-rotation plate 130 can be positioned around valve pin 36 and secured to the support with bolts 132. Next, nut 106 can be positioned onto the head (top end) of valve pin 36. Actuator 100 is then positioned with the bore of drive shaft 110 in axial alignment with the valve pin. The

tool engagement structure of nut 106 can then be accessed via the top opening 109 of actuator 100 with a tool to rotate nut 106 and thread nut 108 into the threaded bore 104 of drive shaft 102.

[0037] The above description is intended to be illustrative, not restrictive. The scope of the invention should be determined with reference to the appended claims along with the full scope of equivalents. It is anticipated and intended that future developments will occur in the art, and that the disclosed devices, kits and methods will be incorporated into such future embodiments. Thus, the invention is capable of modification and variation and is limited only by the following claims.

WHAT IS CLAIMED IS:

1. An injection molding apparatus, comprising:
 - a manifold defining a resin channel for conveying liquid resin from an injection molding machine toward a mold cavity;
 - a nozzle for conveying liquid resin from the resin channel to the mold cavity;
 - a valve pin configured for linear movement along a longitudinal axis of the nozzle to control flow of liquid resin through the nozzle; and
 - an electric actuator having a body containing an electric motor and a linear drive shaft with a bore, wherein both the electric motor and the linear drive shaft are contained within the body of the electric actuator, and wherein the valve pin is directly or indirectly coupled to the drive shaft within the bore, such that linear movement of the drive shaft produces co-linear movement of the valve pin, wherein the electric actuator body has a top opening and the bore extends through the length of the drive shaft to allow manual adjustment of the valve pin position, and wherein substantially an entire length of the bore extending through the drive shaft is internally threaded and the valve pin is directly or indirectly coupled to the drive shaft via an externally threaded valve pin nut threadingly engaging the internally threaded bore.
2. The apparatus of claim 1, wherein the electric actuator is mounted on a minimum of one support attached to and in direct contact with the manifold.
3. The apparatus of claim 1, wherein the electric actuator body includes a channel for circulating a coolant.
4. The apparatus of claim 3, wherein the support is comprised of stainless steel.

5. The apparatus of claim 3, wherein the support is comprised of titanium or other material having a thermal conductivity less than or equal to the thermal conductivity of titanium.

6. The apparatus of claim 1, wherein the valve pin nut has a tool-head engagement structure for manual positioning of the valve pin and valve pin nut with respect to the drive shaft.

7. The apparatus of claim 6, further comprising an externally threaded lock nut threadingly engaging the internally threaded bore and disposed adjacent a side of the valve pin nut opposite the valve pin.

8. The apparatus of claim 7, wherein the lock nut has a tool-head engagement structure for manual tightening of the lock nut against the valve pin nut.

9. A method of axially coupling or decoupling an electric actuator to a valve pin in an injection manifold apparatus, comprising:

providing an injection molding apparatus comprising a manifold defining a resin channel for conveying liquid resin from an injection molding machine toward a mold cavity; a nozzle for conveying liquid resin from the resin channel to the mold cavity; a valve pin configured for linear movement along a longitudinal axis of the nozzle to control flow of liquid resin through the nozzle; and an electric actuator having a body containing an electric motor and a linear drive shaft, wherein both the electric motor and the linear drive shaft are contained within the body of the electric actuator, and wherein the linear drive shaft has a bore extending along the longitudinal axis of the nozzle, and the housing has a bottom opening and a top opening providing access to opposite ends of the bore; and

coupling or decoupling the valve pin directly or indirectly to the linear drive shaft via the bore through the drive shaft openings in the housing.

10. The method of claim 9, wherein the connection between the valve pin and the drive shaft is within the bore of the drive shaft.

11. The apparatus of claim 1, wherein the electric actuator is mounted on a support attached to the manifold, and further comprises an anti-rotation plate disposed between a bottom of the support and the electric actuator and releasably attached to the bottom of the support, the anti-rotation plate having an aperture for passage of the valve pin, the aperture having a shape configured to engage a section of the valve pin having a non-circular profile to prevent rotation of the pin around the longitudinal axis of the nozzle.

2/3

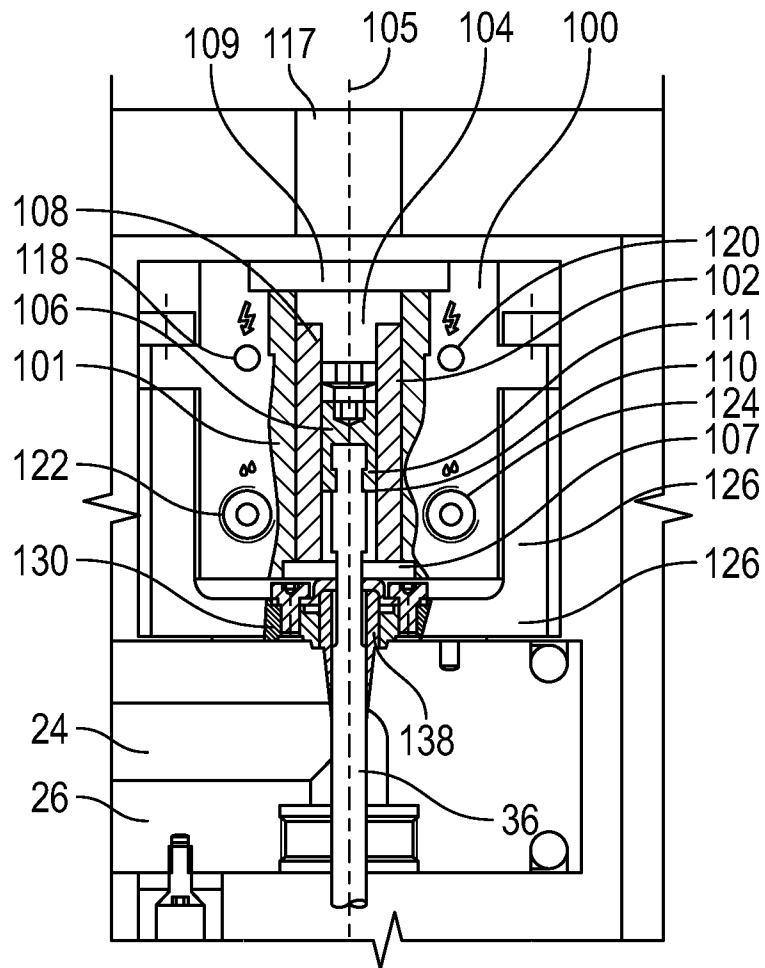


FIG. 2

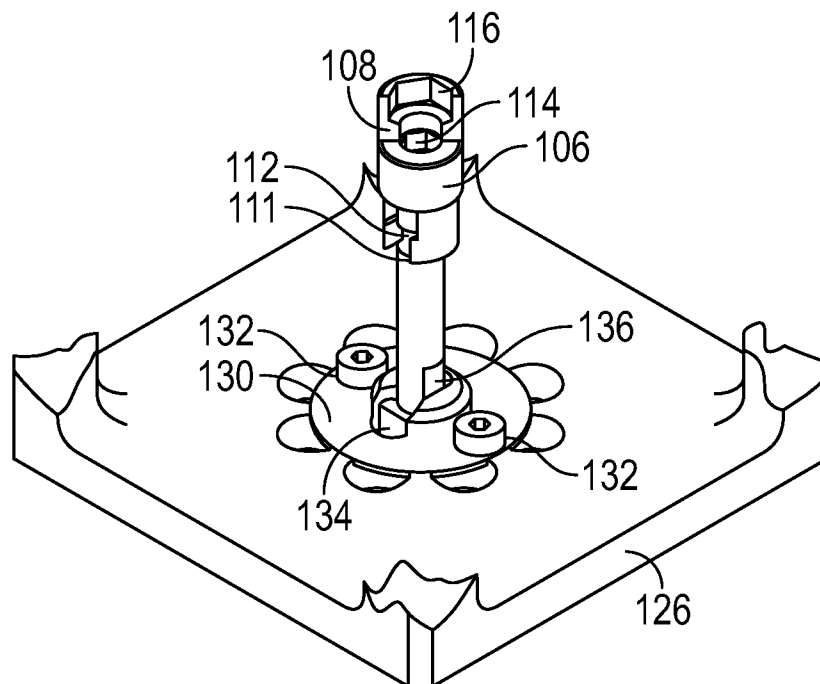


FIG. 3

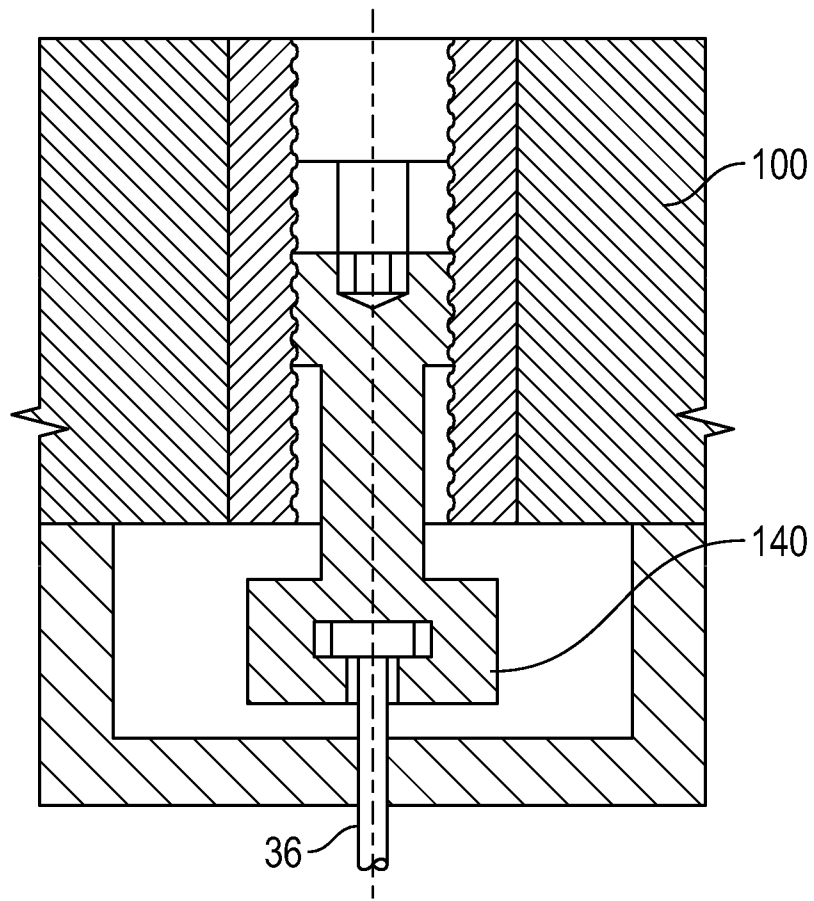


FIG. 4

A. CLASSIFICATION OF SUBJECT MATTER**B29C 45/27(2006.01)i, B29C 45/20(2006.01)i, B29C 45/23(2006.01)i, B29C 45/28(2006.01)i**

According to International Patent Classification (IPC) or to both national classification and IPC

B. FIELDS SEARCHED

Minimum documentation searched (classification system followed by classification symbols)

B29C 45/27; B23P 19/00; B29C 045/50; B29C 045/58; B29C 45/23; B29C 45/28; B29C 45/74; B29C 45/76; B29C 45/20

Documentation searched other than minimum documentation to the extent that such documents are included in the fields searched

Korean utility models and applications for utility models

Japanese utility models and applications for utility models

Electronic data base consulted during the international search (name of data base and, where practicable, search terms used)

eKOMPASS(KIPO internal) & Keywords: injection molding, manifold, valve, electric actuator

C. DOCUMENTS CONSIDERED TO BE RELEVANT

Category*	Citation of document, with indication, where appropriate, of the relevant passages	Relevant to claim No.
X	US 2012-0045536 A1 (GALATI, VITO et al.) 23 February 2012 See paragraphs [0026]-[0044], [0082]-[0093]; and figures 1, 2A, 2B, 5.	1,2,6-11
Y		3-5
Y	US 2003-0185091 A1 (KOIKE, JUN et al.) 02 October 2003 See claim 2; and paragraphs [0050], [0051].	3-5
A	US 2010-0285170 A1 (GALATI, VITO et al.) 11 November 2010 See the whole document.	1-11
A	US 2008-0014296 A1 (TOOMAN, PATRICK A. et al.) 17 January 2008 See the whole document.	1-11
A	US 2017-0151703 A1 (SYNVENTIVE MOLDING SOLUTIONS, INC.) 01 June 2017 See the whole document.	1-11

 Further documents are listed in the continuation of Box C. See patent family annex.

* Special categories of cited documents:

"A" document defining the general state of the art which is not considered to be of particular relevance

"D" document cited by the applicant in the international application

"E" earlier application or patent but published on or after the international filing date

"L" document which may throw doubts on priority claim(s) or which is cited to establish the publication date of another citation or other special reason (as specified)

"O" document referring to an oral disclosure, use, exhibition or other means

"P" document published prior to the international filing date but later than the priority date claimed

"T" later document published after the international filing date or priority date and not in conflict with the application but cited to understand the principle or theory underlying the invention

"X" document of particular relevance; the claimed invention cannot be considered novel or cannot be considered to involve an inventive step when the document is taken alone

"Y" document of particular relevance; the claimed invention cannot be considered to involve an inventive step when the document is combined with one or more other such documents, such combination being obvious to a person skilled in the art

"&" document member of the same patent family

Date of the actual completion of the international search

20 January 2021 (20.01.2021)

Date of mailing of the international search report

20 January 2021 (20.01.2021)

Name and mailing address of the ISA/KR

International Application Division

Korean Intellectual Property Office

189 Cheongsa-ro, Seo-gu, Daejeon, 35208, Republic of Korea

Facsimile No. +82-42-481-8578

Authorized officer

KWON, Yong Kyong

Telephone No. +82-42-481-3371



INTERNATIONAL SEARCH REPORT

Information on patent family members

International application No.

PCT/US2020/053452

Patent document cited in search report	Publication date	Patent family member(s)	Publication date
US 2012-0045536 A1	23/02/2012	CN 102497967 A	13/06/2012
		CN 102497967 B	10/06/2015
		EP 2427318 A2	14/03/2012
		EP 2427318 B1	09/07/2014
		US 2010-0285170 A1	11/11/2010
		US 8091202 B2	10/01/2012
		US 8282388 B2	09/10/2012
		WO 2010-128984 A1	11/11/2010
		WO 2010-129782 A2	11/11/2010
		WO 2010-129782 A3	03/03/2011
US 2003-0185091 A1	02/10/2003	JP 2004-007952 A	08/01/2004
US 2010-0285170 A1	11/11/2010	CN 102497967 A	13/06/2012
		CN 102497967 B	10/06/2015
		EP 2427318 A2	14/03/2012
		EP 2427318 B1	09/07/2014
		US 2012-0045536 A1	23/02/2012
		US 8091202 B2	10/01/2012
		US 8282388 B2	09/10/2012
		WO 2010-128984 A1	11/11/2010
		WO 2010-129782 A2	11/11/2010
		WO 2010-129782 A3	03/03/2011
US 2008-0014296 A1	17/01/2008	BR PI0414292 A	07/11/2006
		CA 2545068 A1	26/05/2005
		CA 2545068 C	14/08/2012
		CA 2638413 A1	01/02/2009
		CA 2638413 C	28/06/2011
		CN 1871110 A	29/11/2006
		CN 1871110 C	29/11/2006
		EP 1682328 A2	26/07/2006
		EP 2025492 A1	18/02/2009
		EP 2025492 B1	16/05/2012
		IL 174802 A	20/08/2006
		IL 174802 D0	20/08/2006
		JP 2005-138225 B2	06/02/2013
		JP 2007-510563 A	26/04/2007
		KR 10-0878516 B1	13/01/2009
		KR 10-2006-0087604 A	02/08/2006
		KR 10-2008-0049829 A	04/06/2008
		RU 2006109833 A	20/12/2007
		RU 2356733 C2	27/05/2009
		US 2005-0100625 A1	12/05/2005
US 2006-0222726 A1	05/10/2006		
US 2009-0291160 A1	26/11/2009		
US 2011-0111077 A1	12/05/2011		
US 7121820 B2	17/10/2006		
US 7275923 B2	02/10/2007		

INTERNATIONAL SEARCH REPORT

Information on patent family members

International application No.

PCT/US2020/053452

Patent document cited in search report	Publication date	Patent family member(s)	Publication date
		US 7588436 B2	15/09/2009
		US 7845925 B2	07/12/2010
		US 8192191 B2	05/06/2012
		WO 2005-046953 A2	26/05/2005
		WO 2005-046953 A3	26/01/2006
US 2017-0151703 A1	01/06/2017	CN 103068551 A	24/04/2013
		CN 103068551 B	07/01/2015
		CN 103249538 A	14/08/2013
		CN 103249538 B	26/08/2015
		CN 104526975 A	22/04/2015
		CN 104526975 B	02/11/2016
		CN 104602890 A	06/05/2015
		CN 104602890 B	08/03/2017
		CN 104718059 A	17/06/2015
		CN 104718059 B	15/02/2017
		CN 104797397 A	22/07/2015
		CN 104797397 B	25/01/2017
		CN 105050791 A	11/11/2015
		CN 105050791 B	15/02/2017
		CN 105121120 A	02/12/2015
		CN 105121120 B	26/09/2017
		CN 105121121 A	02/12/2015
		CN 105121121 B	05/09/2017
		CN 105228806 A	06/01/2016
		CN 105228806 B	12/06/2018
		CN 105283296 A	27/01/2016
		CN 105283296 B	17/10/2017
		CN 105451958 A	30/03/2016
		CN 105451958 B	29/05/2018
		CN 105451959 A	30/03/2016
		CN 105451959 B	02/02/2018
		CN 105555499 A	04/05/2016
		CN 105555499 B	12/09/2017
		CN 105612039 A	25/05/2016
		CN 105612039 B	01/05/2018
		CN 105848848 A	10/08/2016
		CN 105848848 B	29/05/2018
		CN 106103036 A	09/11/2016
		CN 106103036 B	10/07/2018
		CN 106715076 A	24/05/2017
		CN 106715076 B	13/03/2020
		CN 106738673 A	31/05/2017
		CN 106738673 B	07/02/2020
		CN 107009590 A	04/08/2017
		CN 107009590 B	20/12/2019
		CN 107428055 A	01/12/2017
		CN 107428055 B	23/06/2020
		CN 107530932 A	02/01/2018
		CN 107530932 B	01/10/2019

INTERNATIONAL SEARCH REPORT

Information on patent family members

International application No.

PCT/US2020/053452

Patent document cited in search report	Publication date	Patent family member(s)	Publication date
		CN 107530933 A	02/01/2018
		CN 107530933 B	17/09/2019
		CN 107567377 A	09/01/2018
		CN 107567377 B	01/10/2019
		CN 107750202 A	02/03/2018
		CN 107921685 A	17/04/2018
		CN 108527781 A	14/09/2018
		CN 109153165 A	04/01/2019
		CN 110234488 A	13/09/2019
		CN 110337355 A	15/10/2019
		DE 202014011323 U1	09/05/2019
		EP 2008185 A2	31/12/2008
		EP 2008185 A4	05/05/2010
		EP 2201460 A1	30/06/2010
		EP 2201460 A4	22/08/2012
		EP 2201460 B1	04/07/2018
		EP 2201461 A1	30/06/2010
		EP 2201461 A4	22/08/2012
		EP 2201461 B1	10/07/2019
		EP 2201469 A1	30/06/2010
		EP 2201469 A4	15/07/2015
		EP 2260387 A2	15/12/2010
		EP 2260387 A4	02/12/2015
		EP 2260387 B1	26/06/2019
		EP 2460080 A2	06/06/2012
		EP 2460080 A4	18/10/2017
		EP 2501533 A1	26/09/2012
		EP 2501533 B1	12/06/2013
		EP 2504145 A1	03/10/2012
		EP 2504145 B1	12/06/2013
		EP 2604408 A2	19/06/2013
		EP 2604408 A3	31/07/2013
		EP 2604408 B1	19/03/2014
		EP 2620266 A1	31/07/2013
		EP 2620266 B1	04/03/2015
		EP 2744636 A2	25/06/2014
		EP 2744636 B1	03/02/2016
		EP 2882581 A1	17/06/2015
		EP 2882581 B1	20/05/2020
		EP 2888091 A2	01/07/2015
		EP 2888091 B1	04/07/2018
		EP 2925503 A1	07/10/2015
		EP 2925503 B1	25/01/2017
		EP 2931491 A2	21/10/2015
		EP 2931491 B1	15/02/2017
		EP 2961586 A1	06/01/2016
		EP 2961586 B1	02/05/2018
		EP 2976203 A1	27/01/2016
		EP 2976203 B1	24/04/2019
		EP 2986432 A1	24/02/2016

INTERNATIONAL SEARCH REPORT

Information on patent family members

International application No.

PCT/US2020/053452

Patent document cited in search report	Publication date	Patent family member(s)	Publication date
		EP 2986432 B1	06/06/2018
		EP 2992428 A1	09/03/2016
		EP 2992428 A4	21/12/2016
		EP 3003680 A1	13/04/2016
		EP 3003680 B1	04/04/2018
		EP 3003681 A1	13/04/2016
		EP 3003681 B1	04/04/2018
		EP 3013549 A1	04/05/2016
		EP 3013549 B1	27/12/2017
		EP 3019323 A1	18/05/2016
		EP 3019323 B1	04/04/2018
		EP 3062985 A1	07/09/2016
		EP 3062985 B1	20/03/2019
		EP 3148767 A1	05/04/2017
		EP 3148767 B1	06/06/2018
		EP 3180176 A1	21/06/2017
		EP 3180176 B1	12/12/2018
		EP 3195998 A1	26/07/2017
		EP 3240666 A1	08/11/2017
		EP 3240666 B1	27/03/2019
		EP 3247545 A1	29/11/2017
		EP 3247545 B1	27/03/2019
		EP 3247546 A1	29/11/2017
		EP 3247546 B1	07/08/2019
		EP 3271129 A1	24/01/2018
		EP 3271129 B1	26/09/2018
		EP 3271130 A1	24/01/2018
		EP 3271130 B1	27/03/2019
		EP 3291957 A1	14/03/2018
		EP 3291957 B1	10/07/2019
		EP 3299140 A1	28/03/2018
		EP 3299140 B1	01/05/2019
		EP 3326777 A1	30/05/2018
		EP 3326777 B1	03/04/2019
		EP 3342575 A1	04/07/2018
		EP 3342575 B1	25/09/2019
		EP 3357664 A1	08/08/2018
		EP 3357664 B1	25/12/2019
		EP 3380295 A1	03/10/2018
		EP 3380295 B1	22/01/2020
		EP 3385052 A1	10/10/2018
		EP 3385052 B1	25/09/2019
		EP 3412425 A1	12/12/2018
		EP 3427916 A1	16/01/2019
		EP 3488989 A1	29/05/2019
		EP 3513943 A1	24/07/2019
		EP 3538339 A1	18/09/2019
		EP 3539747 A1	18/09/2019
		EP 3565698 A1	13/11/2019
		EP 3569380 A1	20/11/2019

INTERNATIONAL SEARCH REPORT

Information on patent family members

International application No.

PCT/US2020/053452

Patent document cited in search report	Publication date	Patent family member(s)	Publication date
		EP 3581359 A1	18/12/2019
		JP 2009-533759 A	17/09/2009
		JP 2013-539425 A	24/10/2013
		JP 2013-539426 A	24/10/2013
		JP 5615975 B2	29/10/2014
		JP 5621047 B2	05/11/2014
		US 10005215 B2	26/06/2018
		US 10005216 B2	26/06/2018
		US 10015255 B2	03/07/2018
		US 10027478 B2	17/07/2018
		US 10031804 B2	24/07/2018
		US 10044807 B2	07/08/2018
		US 10046496 B2	14/08/2018
		US 10046497 B2	14/08/2018
		US 10051057 B2	14/08/2018
		US 10052801 B2	21/08/2018
		US 10067831 B2	04/09/2018
		US 10095578 B2	09/10/2018
		US 10108492 B2	23/10/2018
		US 10142115 B2	27/11/2018
		US 10160150 B2	25/12/2018
		US 10162524 B2	25/12/2018
		US 10166709 B2	01/01/2019
		US 10166710 B2	01/01/2019
		US 10173356 B2	08/01/2019
		US 10176054 B2	08/01/2019
		US 10180884 B2	15/01/2019
		US 10193689 B2	29/01/2019
		US 10245772 B2	02/04/2019
		US 10250686 B2	02/04/2019
		US 10257276 B2	09/04/2019
		US 10270855 B2	23/04/2019
		US 10270858 B2	23/04/2019
		US 10275161 B2	30/04/2019
		US 10289688 B2	14/05/2019
		US 10305989 B2	28/05/2019
		US 10305990 B2	28/05/2019
		US 10307951 B2	04/06/2019
		US 10322537 B2	18/06/2019
		US 10328623 B2	25/06/2019
		US 10356177 B2	16/07/2019
		US 10360180 B2	23/07/2019
		US 10372350 B2	06/08/2019
		US 10384385 B2	20/08/2019
		US 10387256 B2	20/08/2019
		US 10389814 B2	20/08/2019
		US 10389845 B2	20/08/2019
		US 10409771 B2	10/09/2019
		US 10414079 B2	17/09/2019
		US 10432726 B2	01/10/2019

INTERNATIONAL SEARCH REPORT

Information on patent family members

International application No.

PCT/US2020/053452

Patent document cited in search report	Publication date	Patent family member(s)	Publication date
		US 10500775 B2	10/12/2019
		US 10505915 B2	10/12/2019
		US 10518451 B2	31/12/2019
		US 10518453 B2	31/12/2019
		US 10625451 B2	21/04/2020
		US 10625455 B2	21/04/2020
		US 10625456 B2	21/04/2020
		US 10632657 B2	28/04/2020
		US 10639835 B1	05/05/2020
		US 2007-079081 A1	05/04/2007
		US 2007-079082 A1	05/04/2007
		US 2007-079083 A1	05/04/2007
		US 2007-174192 A1	26/07/2007
		US 2008-183975 A1	31/07/2008
		US 2009-094250 A1	09/04/2009
		US 2009-094251 A1	09/04/2009
		US 2009-094318 A1	09/04/2009
		US 2009-094320 A1	09/04/2009
		US 2009-254720 A1	08/10/2009
		US 2010-017531 A1	21/01/2010
		US 2010-023524 A1	28/01/2010
		US 2010-023529 A1	28/01/2010
		US 2010-023710 A1	28/01/2010
		US 2010-063911 A1	11/03/2010
		US 2010-115063 A1	06/05/2010
		US 2010-161916 A1	24/06/2010
		US 2010-169391 A1	01/07/2010
		US 2010-169415 A1	01/07/2010
		US 2010-169500 A1	01/07/2010
		US 2010-179966 A1	15/07/2010
		US 2010-217796 A1	26/08/2010
		US 2010-250751 A1	30/09/2010
		US 2010-287200 A1	11/11/2010
		US 2010-306578 A1	02/12/2010
		US 2011-016122 A1	20/01/2011
		US 2011-029711 A1	03/02/2011
		US 2011-029731 A1	03/02/2011
		US 2011-029809 A1	03/02/2011
		US 2011-029836 A1	03/02/2011
		US 2011-055178 A1	03/03/2011
		US 2011-055273 A1	03/03/2011
		US 2011-055473 A1	03/03/2011
		US 2011-055474 A1	03/03/2011
		US 2011-071988 A1	24/03/2011
		US 2011-072115 A1	24/03/2011
		US 2011-072210 A1	24/03/2011
		US 2011-072321 A1	24/03/2011
		US 2011-077086 A1	31/03/2011
		US 2011-078377 A1	31/03/2011
		US 2011-106855 A1	05/05/2011

INTERNATIONAL SEARCH REPORT

Information on patent family members

International application No.

PCT/US2020/053452

Patent document cited in search report	Publication date	Patent family member(s)	Publication date
		US 2011-106904 A1	05/05/2011
		US 2011-107026 A1	05/05/2011
		US 2011-107036 A1	05/05/2011
		US 2011-107078 A1	05/05/2011
		US 2011-107094 A1	05/05/2011
		US 2011-107113 A1	05/05/2011
		US 2011-107165 A1	05/05/2011
		US 2011-125916 A9	26/05/2011
		US 2011-125999 A1	26/05/2011
		US 2011-161681 A1	30/06/2011
		US 2011-161754 A1	30/06/2011
		US 2011-202568 A1	18/08/2011
		US 2011-213940 A1	01/09/2011
		US 2011-219100 A1	08/09/2011
		US 2011-286594 A1	24/11/2011
		US 2011-286595 A1	24/11/2011
		US 2011-289283 A1	24/11/2011
		US 2011-289366 A1	24/11/2011
		US 2011-289383 A1	24/11/2011
		US 2011-289565 A1	24/11/2011
		US 2011-311051 A1	22/12/2011
		US 2011-314058 A1	22/12/2011
		US 2011-314072 A1	22/12/2011
		US 2011-314154 A1	22/12/2011
		US 2011-314346 A1	22/12/2011
		US 2012-027134 A1	02/02/2012
		US 2012-030437 A1	02/02/2012
		US 2012-030736 A1	02/02/2012
		US 2012-054500 A1	01/03/2012
		US 2012-102316 A1	26/04/2012
		US 2012-137091 A1	31/05/2012
		US 2012-137095 A1	31/05/2012
		US 2012-198197 A1	02/08/2012
		US 2012-198203 A1	02/08/2012
		US 2012-246421 A1	27/09/2012
		US 2012-248644 A1	04/10/2012
		US 2012-248652 A1	04/10/2012
		US 2012-290873 A1	15/11/2012
		US 2013-102395 A1	25/04/2013
		US 2013-232307 A1	05/09/2013
		US 2013-254624 A1	26/09/2013
		US 2013-275833 A1	17/10/2013
		US 2013-275834 A1	17/10/2013
		US 2013-275844 A1	17/10/2013
		US 2013-283095 A1	24/10/2013
		US 2013-290809 A1	31/10/2013
		US 2013-304711 A1	14/11/2013
		US 2013-305060 A9	14/11/2013
		US 2014-012899 A1	09/01/2014
		US 2014-026017 A1	23/01/2014

INTERNATIONAL SEARCH REPORT

Information on patent family members

International application No.

PCT/US2020/053452

Patent document cited in search report	Publication date	Patent family member(s)	Publication date
		US 2014-032961 A1	30/01/2014
		US 2014-035563 A1	06/02/2014
		US 2014-040662 A1	06/02/2014
		US 2014-046465 A1	13/02/2014
		US 2014-053018 A1	20/02/2014
		US 2014-075134 A1	13/03/2014
		US 2014-101184 A1	10/04/2014
		US 2014-108493 A1	17/04/2014
		US 2014-115334 A1	24/04/2014
		US 2014-115387 A1	24/04/2014
		US 2014-122970 A1	01/05/2014
		US 2014-123244 A1	01/05/2014
		US 2014-164551 A1	12/06/2014
		US 2014-181578 A1	26/06/2014
		US 2014-210119 A1	31/07/2014
		US 2014-214909 A1	31/07/2014
		US 2014-244788 A1	28/08/2014
		US 2014-280681 A1	18/09/2014
		US 2014-281223 A1	18/09/2014
		US 2014-281804 A1	18/09/2014
		US 2014-298085 A1	02/10/2014
		US 2014-298135 A1	02/10/2014
		US 2014-298136 A1	02/10/2014
		US 2014-300019 A1	09/10/2014
		US 2014-302934 A9	09/10/2014
		US 2014-310310 A1	16/10/2014
		US 2014-310491 A1	16/10/2014
		US 2014-310492 A1	16/10/2014
		US 2014-310775 A1	16/10/2014
		US 2014-317224 A1	23/10/2014
		US 2014-319729 A1	30/10/2014
		US 2014-325260 A1	30/10/2014
		US 2014-325305 A1	30/10/2014
		US 2014-330923 A1	06/11/2014
		US 2014-331085 A1	06/11/2014
		US 2016-052186 A1	25/02/2016
		US 2018-339443 A1	29/11/2018
		US 2019-184616 A1	20/06/2019
		US 2019-275719 A1	12/09/2019
		US 7546427 B2	09/06/2009
		US 7574570 B2	11/08/2009
		US 7574579 B2	11/08/2009
		US 7818518 B2	19/10/2010
		US 7904475 B2	08/03/2011
		US 7953771 B2	31/05/2011
		US 7953937 B2	31/05/2011
		US 7962641 B1	14/06/2011
		US 8019960 B2	13/09/2011
		US 8140777 B2	20/03/2012
		US 8171101 B2	01/05/2012

INTERNATIONAL SEARCH REPORT

Information on patent family members

International application No.

PCT/US2020/053452

Patent document cited in search report	Publication date	Patent family member(s)	Publication date
		US 8171102 B2	01/05/2012
		US 8185614 B2	22/05/2012
		US 8190662 B2	29/05/2012
		US 8200788 B2	12/06/2012
		US 8209363 B2	26/06/2012
		US 8244991 B2	14/08/2012
		US 8285878 B2	09/10/2012
		US 8352782 B2	08/01/2013
		US 8357048 B2	22/01/2013
		US 8448044 B2	21/05/2013
		US 8464096 B2	11/06/2013
		US 8468311 B2	18/06/2013
		US 8478865 B2	02/07/2013
		US 8479078 B2	02/07/2013
		US 8489915 B2	16/07/2013
		US 8522022 B2	27/08/2013
		US 8533256 B2	10/09/2013
		US 8549351 B2	01/10/2013
		US 8555109 B2	08/10/2013
		US 8560882 B2	15/10/2013
		US 8572429 B2	29/10/2013
		US 8589637 B2	19/11/2013
		US 8595435 B2	26/11/2013
		US 8621269 B2	31/12/2013
		US 8621580 B2	31/12/2013
		US 8627114 B2	07/01/2014
		US 8627177 B2	07/01/2014
		US 8630987 B2	14/01/2014
		US 8631303 B2	14/01/2014
		US 8688949 B2	01/04/2014
		US 8694668 B2	08/04/2014
		US 8694752 B2	08/04/2014
		US 8706980 B2	22/04/2014
		US 8713358 B2	29/04/2014
		US 8732206 B2	20/05/2014
		US 8769035 B2	01/07/2014
		US 8782227 B2	15/07/2014
		US 8819011 B2	26/08/2014
		US 8819179 B2	26/08/2014
		US 8819482 B2	26/08/2014
		US 8819516 B2	26/08/2014
		US 8826067 B2	02/09/2014
		US 8842746 B2	23/09/2014
		US 8856552 B2	07/10/2014
		US 8861727 B2	14/10/2014
		US 8868969 B2	21/10/2014
		US 8874868 B2	28/10/2014
		US 8878011 B1	04/11/2014
		US 8880799 B2	04/11/2014
		US 8880940 B2	04/11/2014

INTERNATIONAL SEARCH REPORT

Information on patent family members

International application No.

PCT/US2020/053452

Patent document cited in search report	Publication date	Patent family member(s)	Publication date
		US 8882599 B2	11/11/2014
		US 8886711 B2	11/11/2014
		US 8892598 B2	18/11/2014
		US 8892698 B2	18/11/2014
		US 8909858 B2	09/12/2014
		US 8914609 B2	16/12/2014
		US 8914669 B2	16/12/2014
		US 8914707 B2	16/12/2014
		US 8924387 B2	30/12/2014
		US 8938591 B2	20/01/2015
		US 8965956 B2	24/02/2015
		US 8966194 B2	24/02/2015
		US 9005509 B2	14/04/2015
		US 9009575 B2	14/04/2015
		US 9011736 B2	21/04/2015
		US 9015431 B2	21/04/2015
		US 9027080 B2	05/05/2015
		US 9063658 B2	23/06/2015
		US 9063968 B2	23/06/2015
		US 9092140 B2	28/07/2015
		US 9092439 B2	28/07/2015
		US 9094402 B2	28/07/2015
		US 9098376 B2	04/08/2015
		US 9137022 B2	15/09/2015
		US 9143499 B2	22/09/2015
		US 9144929 B2	29/09/2015
		US 9152489 B2	06/10/2015
		US 9205587 B2	08/12/2015
		US 9231768 B2	05/01/2016
		US 9235350 B2	12/01/2016
		US 9300477 B2	29/03/2016
		US 9304759 B2	05/04/2016
		US 9313293 B2	12/04/2016
		US 9323603 B2	26/04/2016
		US 9336139 B2	10/05/2016
		US 9354974 B2	31/05/2016
		US 9378091 B2	28/06/2016
		US 9411818 B2	09/08/2016
		US 9427905 B2	30/08/2016
		US 9430336 B2	30/08/2016
		US 9440389 B2	13/09/2016
		US 9454431 B2	27/09/2016
		US 9483398 B2	01/11/2016
		US 9492960 B2	15/11/2016
		US 9498909 B2	22/11/2016
		US 9501341 B2	22/11/2016
		US 9501355 B2	22/11/2016
		US 9501366 B2	22/11/2016
		US 9558059 B2	31/01/2017
		US 9563507 B2	07/02/2017

INTERNATIONAL SEARCH REPORT

Information on patent family members

International application No.

PCT/US2020/053452

Patent document cited in search report	Publication date	Patent family member(s)	Publication date
		US 9576018 B2	21/02/2017
		US 9578097 B2	21/02/2017
		US 9602496 B2	21/03/2017
		US 9604399 B2	28/03/2017
		US 9623598 B2	18/04/2017
		US 9632722 B2	25/04/2017
		US 9636858 B2	02/05/2017
		US 9645967 B2	09/05/2017
		US 9662820 B2	30/05/2017
		US 9682504 B2	20/06/2017
		US 9682507 B2	20/06/2017
		US 9690513 B2	27/06/2017
		US 9697171 B2	04/07/2017
		US 9724861 B2	08/08/2017
		US 9738024 B2	22/08/2017
		US 9772791 B2	26/09/2017
		US 9774678 B2	26/09/2017
		US 9774684 B2	26/09/2017
		US 9785351 B2	10/10/2017
		US 9785503 B2	10/10/2017
		US 9811405 B2	07/11/2017
		US 9858143 B2	02/01/2018
		US 9873219 B2	23/01/2018
		US 9878477 B2	30/01/2018
		US 9880902 B2	30/01/2018
		US 9881043 B2	30/01/2018
		US 9888076 B2	06/02/2018
		US 9898373 B2	20/02/2018
		US 9908273 B2	06/03/2018
		US 9937648 B2	10/04/2018
		US 9940197 B2	10/04/2018
		US 9944006 B2	17/04/2018
		US 9959076 B2	01/05/2018
		US 9965354 B2	08/05/2018
		US 9987783 B2	05/06/2018
		US 9993953 B2	12/06/2018
		US 9996413 B2	12/06/2018