



US00D569459S

(12) **United States Design Patent**
Bingham, Jr. et al.

(10) **Patent No.:** **US D569,459 S**

(45) **Date of Patent:** **** May 20, 2008**

(54) **EXERCISE MACHINE**

(75) Inventors: **Robert J. Bingham, Jr.**, Woodinville, WA (US); **Christopher Loew**, Palo Alto, CA (US); **Ryan J. Selby**, Seattle, WA (US)

(73) Assignee: **LeMond Fitness, Inc.**, Woodinville, WA (US)

(**) Term: **14 Years**

(21) Appl. No.: **29/297,928**

(22) Filed: **Nov. 21, 2007**

Related U.S. Application Data

(62) Division of application No. 29/248,208, filed on Aug. 2, 2006, now Pat. No. Des. 561,276.

(51) **LOC (8) Cl.** **21-02**

(52) **U.S. Cl.** **D21/697**

(58) **Field of Classification Search** D21/662, D21/663, 664, 665, 666, 667, 668, 694, 697; 482/51, 52, 57, 58, 59

See application file for complete search history.

(56) **References Cited**

U.S. PATENT DOCUMENTS

1,552,073 A	9/1925	Mansfeldt	
3,756,592 A	9/1973	Johnson	
4,575,074 A	3/1986	Damratoski	
4,720,098 A	1/1988	Gordon	
4,773,640 A	9/1988	Kolbel et al.	
D299,371 S	1/1989	Tsuyama	
5,029,849 A	7/1991	Nurkowski	
5,152,523 A	10/1992	Keen	
D344,313 S	2/1994	Wu	
D344,776 S *	3/1994	Lertyaovarit	D21/667
5,393,284 A	2/1995	Wesley	
5,393,285 A	2/1995	Fischer, Sr. et al.	
D357,953 S	5/1995	Warehime et al.	
D366,298 S	1/1996	Wu	
D372,061 S *	7/1996	Chen	D21/697
5,716,305 A	2/1998	Selsam	
D401,644 S *	11/1998	Chen	D21/663
D406,288 S *	3/1999	Chen	D21/663

D422,654 S	4/2000	Chen	
6,102,834 A	8/2000	Chen	
D438,919 S	3/2001	Shaw	
D444,515 S	7/2001	Moran et al.	
D459,776 S *	7/2002	Lee	D21/697
D460,794 S *	7/2002	Baker	D21/667
D484,561 S	12/2003	Singleton	
6,730,004 B2	5/2004	Selsam	
D506,792 S	6/2005	Nagano	
6,905,445 B1 *	6/2005	Lin	482/57
D512,754 S	12/2005	Nagano	
6,981,933 B2	1/2006	Scafidel	
D519,171 S	4/2006	Kuo	
D526,031 S *	8/2006	Corbalis et al.	D21/663
D534,226 S	12/2006	Corbalis et al.	
2004/0082445 A1	4/2004	Zabel	
2005/0187075 A1	8/2005	Bellamy	
2005/0187079 A1	8/2005	Diakonov et al.	

* cited by examiner

Primary Examiner—Philip S Hyder

(74) *Attorney, Agent, or Firm*—Davis Wright Tremaine LLP; George C. Rondeau, Jr.

(57) **CLAIM**

The ornamental design for an exercise machine, as shown and described.

DESCRIPTION

FIG. 1 is a left side elevational view of an exercise machine showing our new design.

FIG. 2 is a top plan view thereof.

FIG. 3 is a bottom plan view thereof.

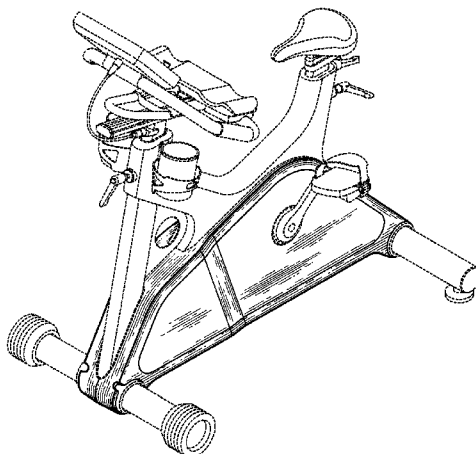
FIG. 4 is a front elevational view thereof.

FIG. 5 is a rear elevational view thereof; and,

FIG. 6 is a left side elevational view thereof, the right side elevational view being a mirror image thereof with the pedal in a diametrically opposite position.

The broken lines are for illustrative purposes only and form no part of the claimed design.

1 Claim, 6 Drawing Sheets



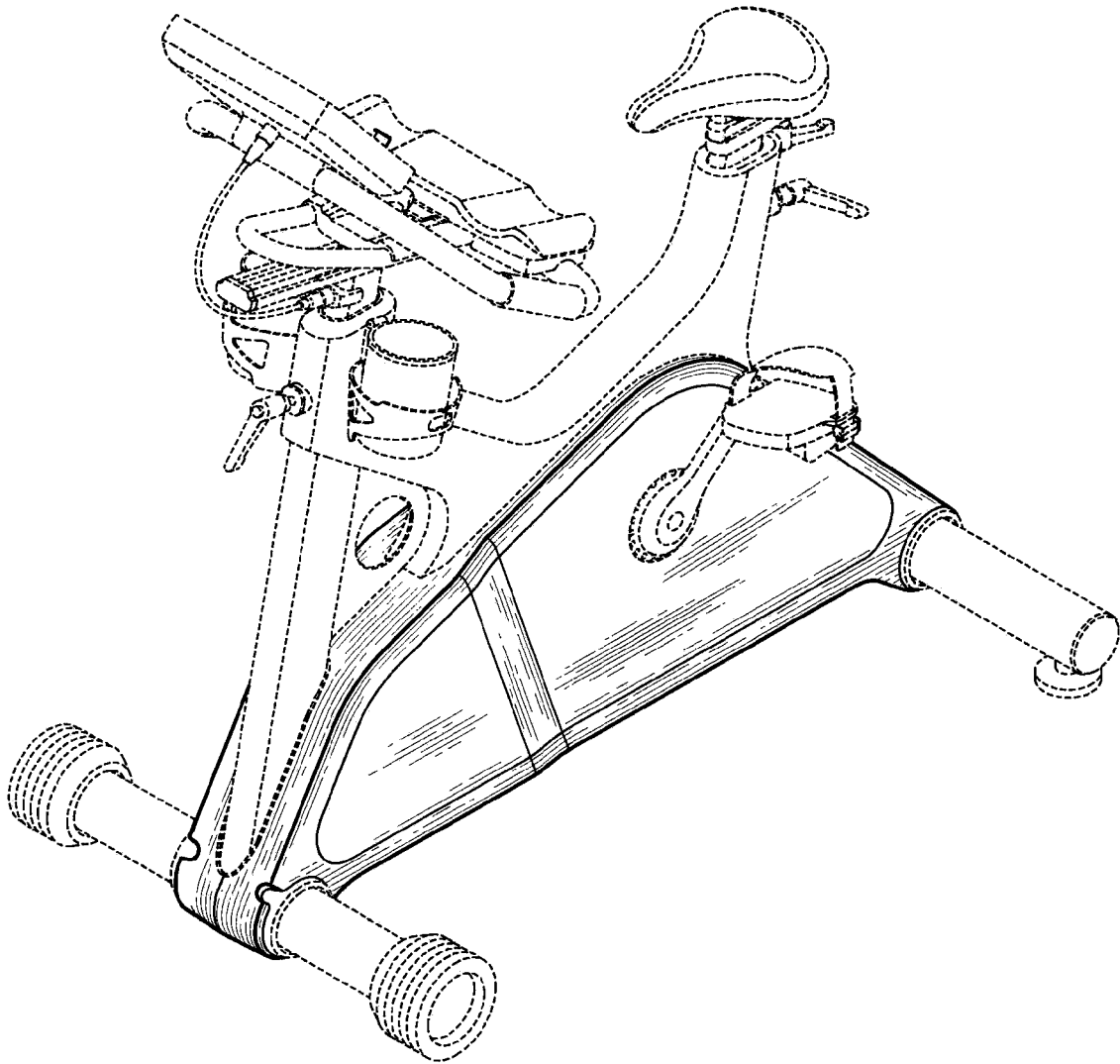


Fig. 1

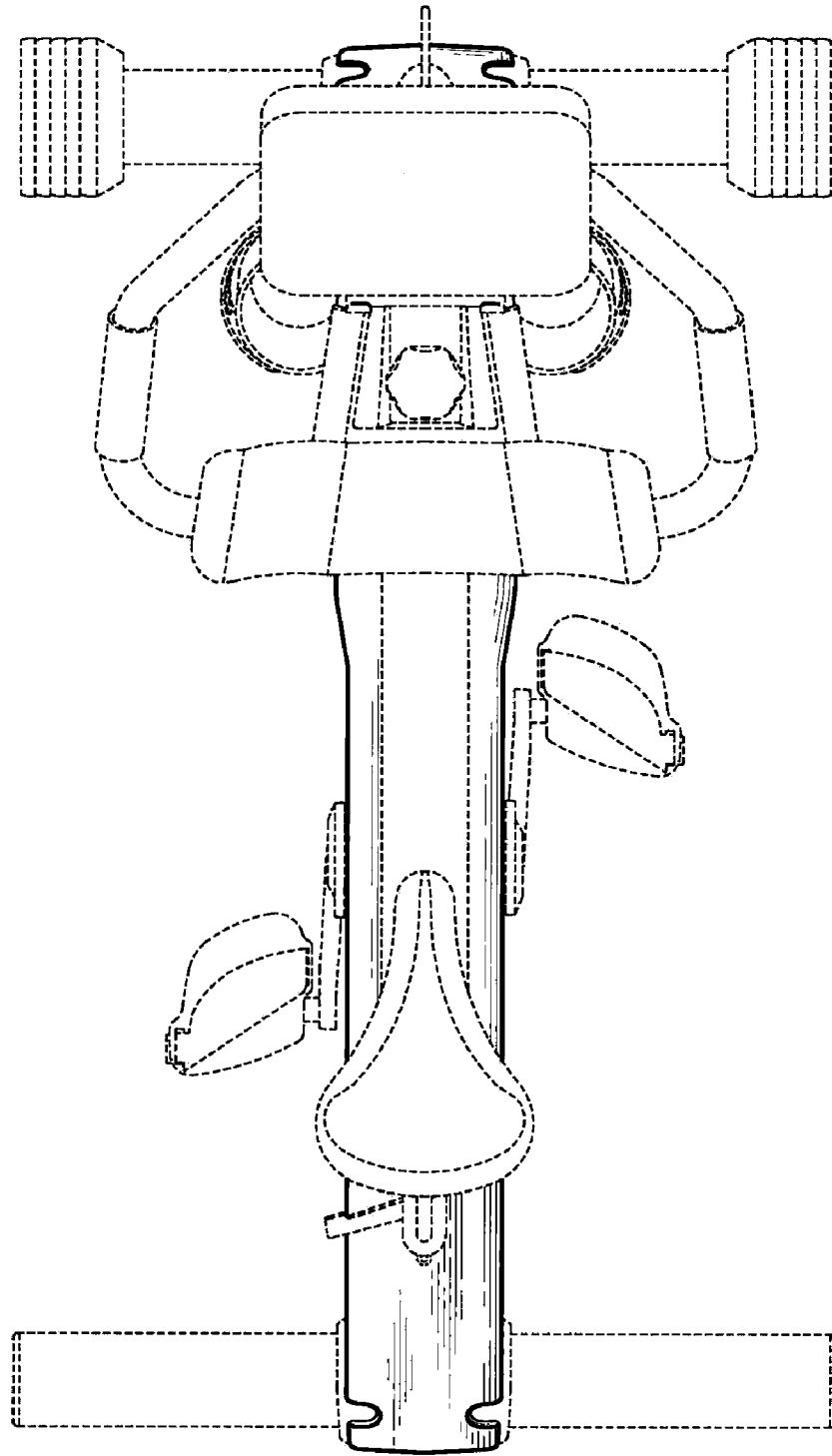


Fig. 2

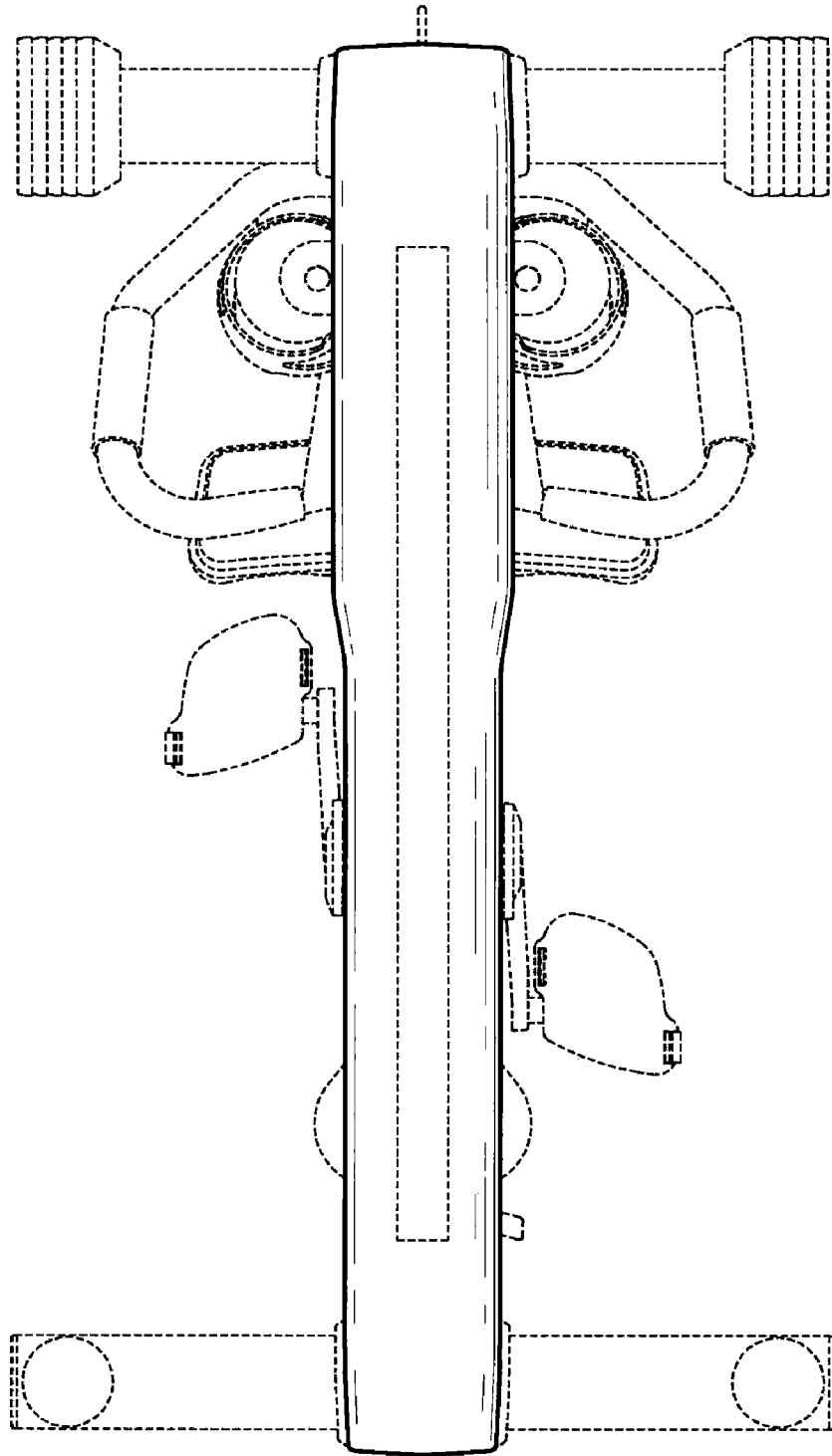


Fig. 3

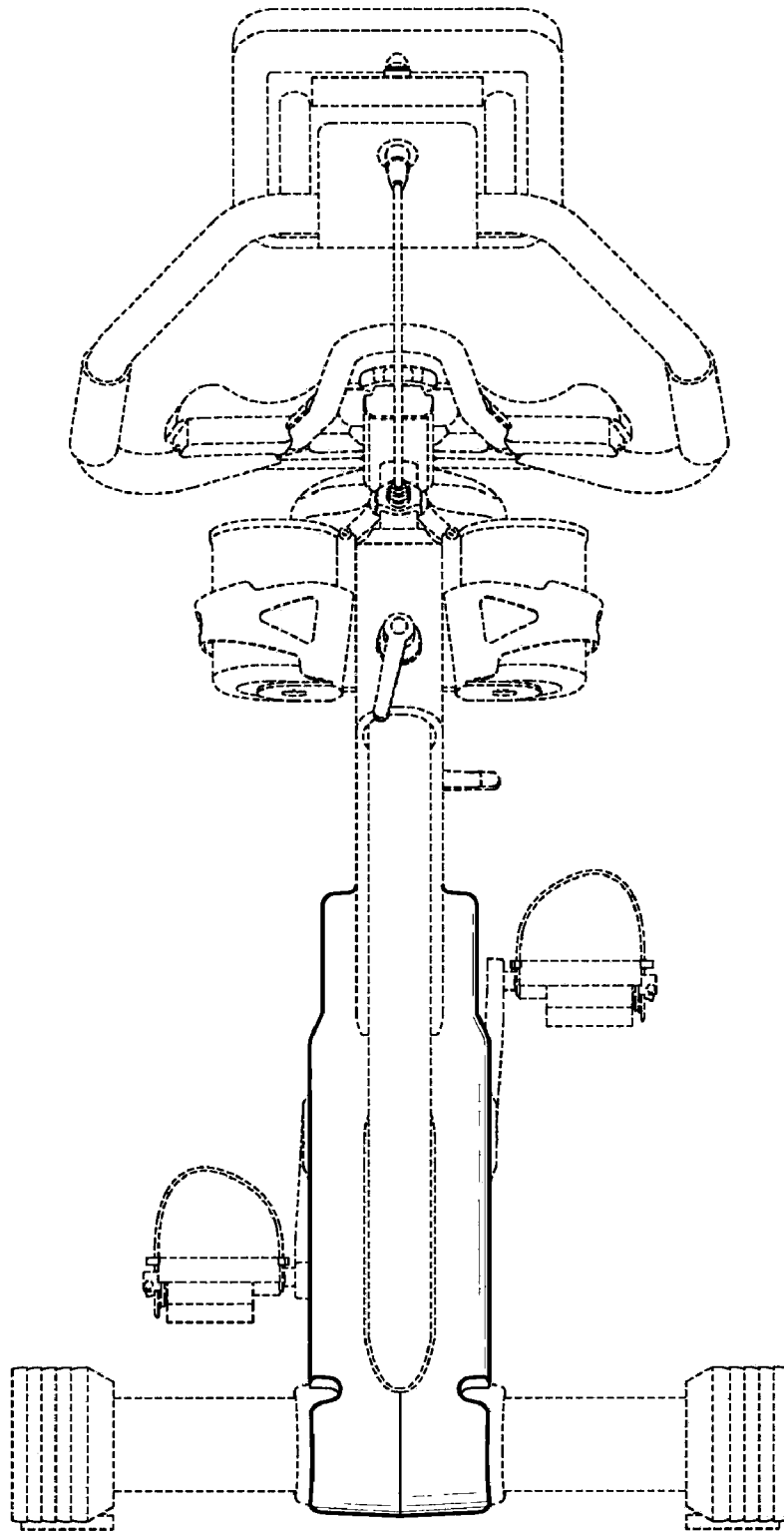


Fig. 4

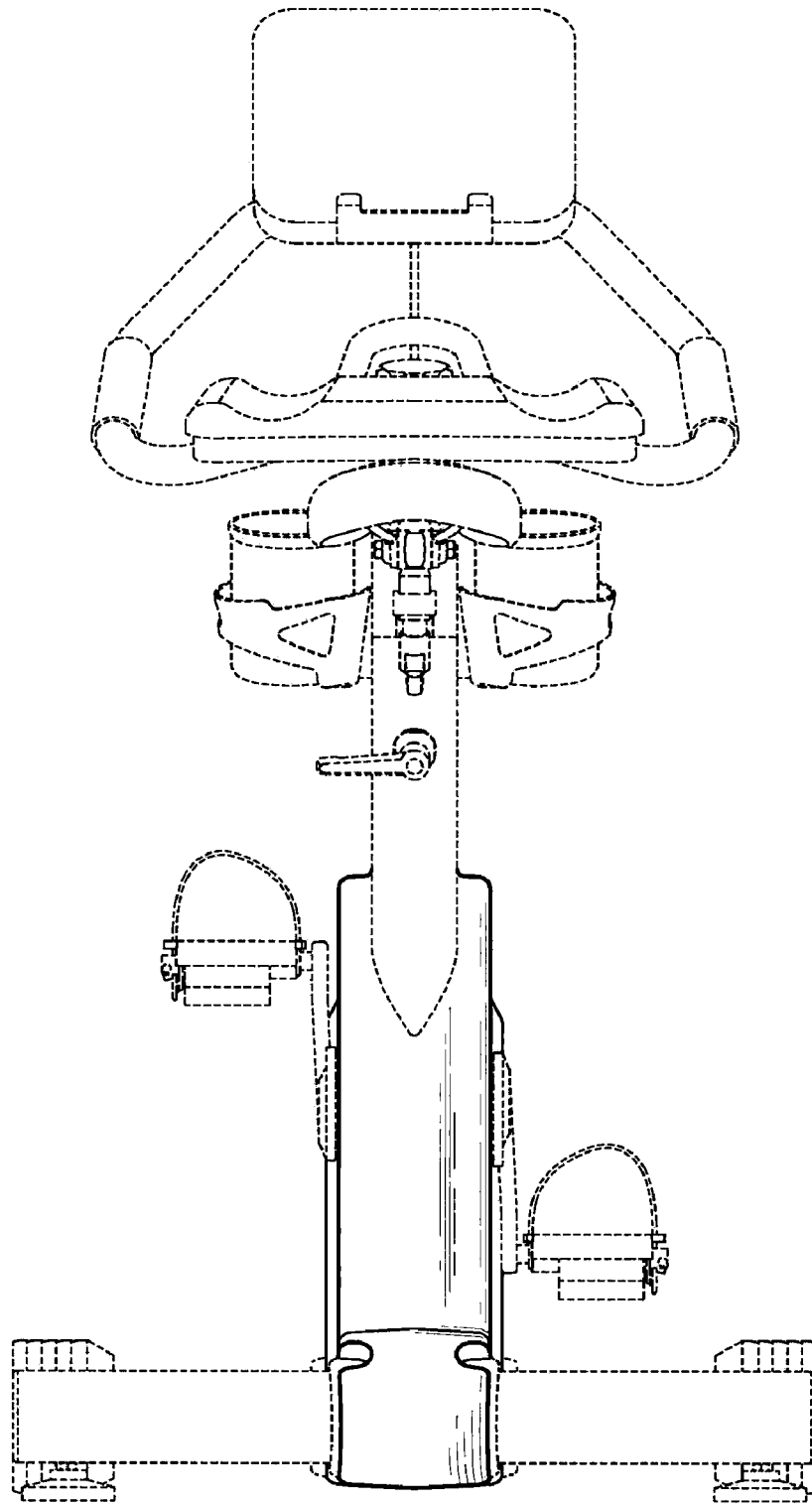


Fig. 5

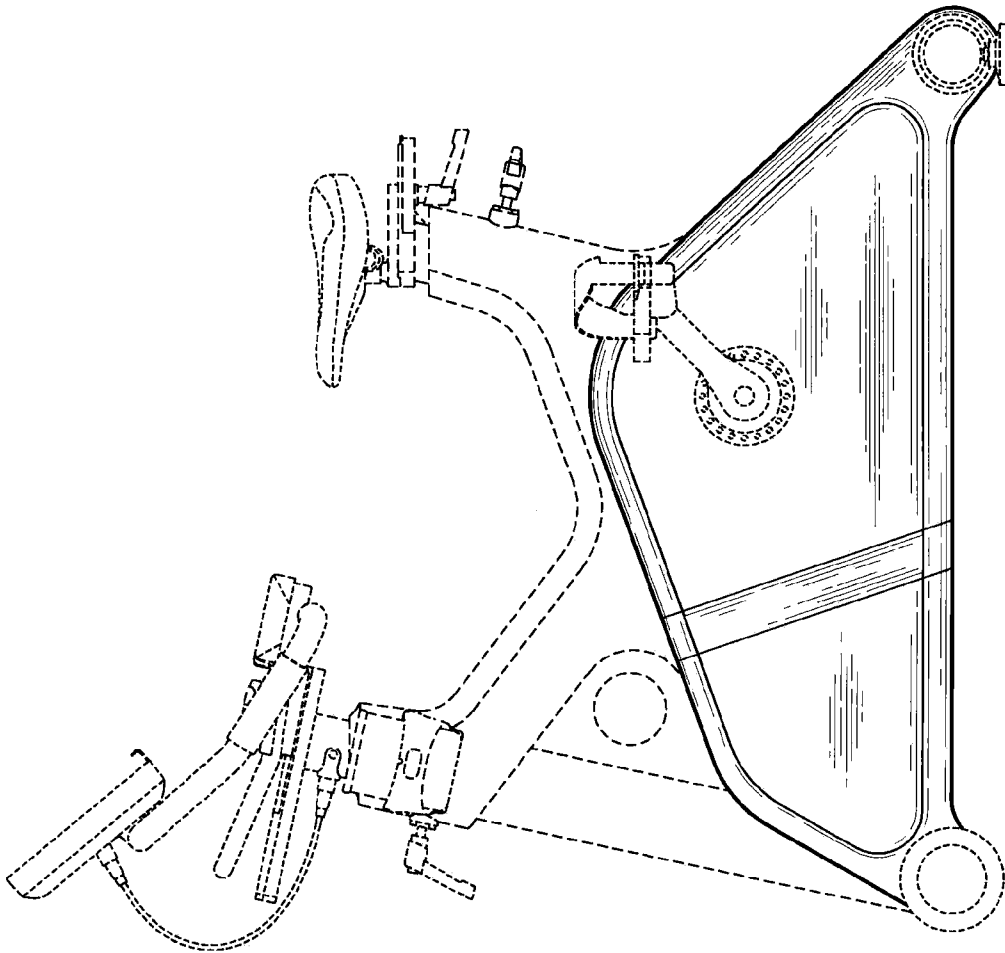


Fig. 6