



US00D368159S

United States Patent [19]

[11] Patent Number: **Des. 368,159**

Calmeise et al.

[45] Date of Patent: ****Mar. 26, 1996**

[54] **PARTS BIN**

[75] Inventors: **Randall W. Calmeise**, Oakwood Village; **John A. Vura**, Wooster, both of Ohio

[73] Assignee: **Rubbermaid Incorporated**, Wooster, Ohio

[**] Term: **14 Years**

[21] Appl. No.: **25,666**

[22] Filed: **Jul. 7, 1994**

[52] U.S. Cl. **D3/283**; D3/282

[58] Field of Search D3/276, 275, 274, D3/905, 282, 283; D6/560, 553, 567; 211/13, 86, 87; 206/45, 45.31; 220/476, 500, 507, 524; 312/107

[56] **References Cited**

U.S. PATENT DOCUMENTS

D. 212,661	11/1968	Gigliuto	D3/275
D. 254,122	2/1980	Wintz	D9/184
D. 283,084	3/1986	Bannigan	D3/274
D. 314,667	2/1991	Hussain	D3/283
D. 318,568	7/1991	Håkansson	D3/283
D. 333,568	3/1993	Dickinson	D3/905
D. 340,803	11/1993	Bradford et al.	D3/74
D. 348,903	7/1994	Fischtein et al.	D3/282
3,206,266	9/1965	Holloway et al.	312/216
4,634,193	1/1987	Liu	312/107

OTHER PUBLICATIONS

Label, Portable tote; Plano Molding Company, 431 East South Street, Plano, Illinois 60545-0189. Published at least as early as Apr., 1994.

P. 13, Utility cabinets; Flambeau, P.O. Box 5067, Columbus, Indiana 47202. Publication date 1987.

P. 2, Cabinets; Akro-Mills, P.O. Box 989, Akron, Ohio 44309. Publication date 1979.

Pp. 6, 12 and 14, Organizers; Contico Manufacturing Co., 1161 Warson Road, St. Louis, Missouri 63132. Publication date 1991-1992.

Price List, Cabinets and stackables; Empak Consumer Products Division, 4571 Valley Industrial Boulevard South, Shakopee, Minnesota 55379. Publication date Aug., 1992.

Primary Examiner—Ted Shooman

Assistant Examiner—Philip Hyder

Attorney, Agent, or Firm—Richard B. O'Planick; Lisa B. Riedesel

[57] **CLAIM**

The ornamental design for a parts bin, as shown and described.

DESCRIPTION

FIG. 1 is a top right front perspective view of a parts bin showing our new design;

FIG. 2 is a front elevational view thereof;

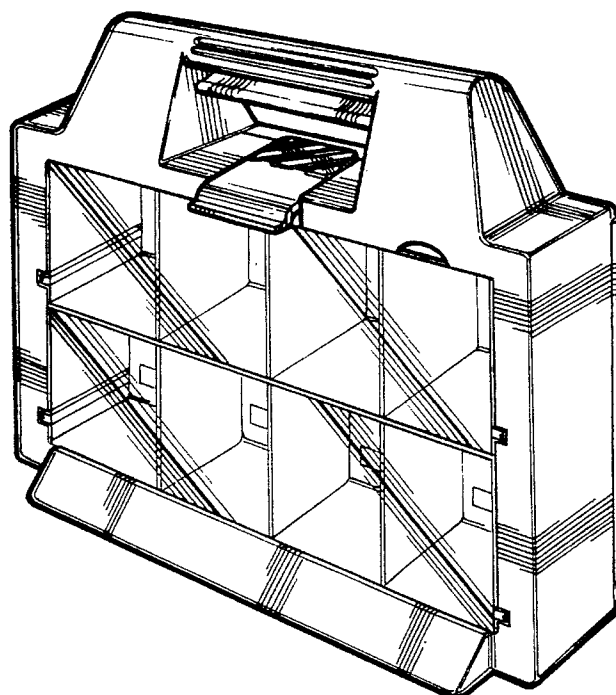
FIG. 3 is a top plan view thereof;

FIG. 4 is a right side elevational view thereof; the left side elevational view being a mirror image;

FIG. 5 is a rear elevational view thereof; and,

FIG. 6 is a bottom plan view thereof.

1 Claim, 3 Drawing Sheets



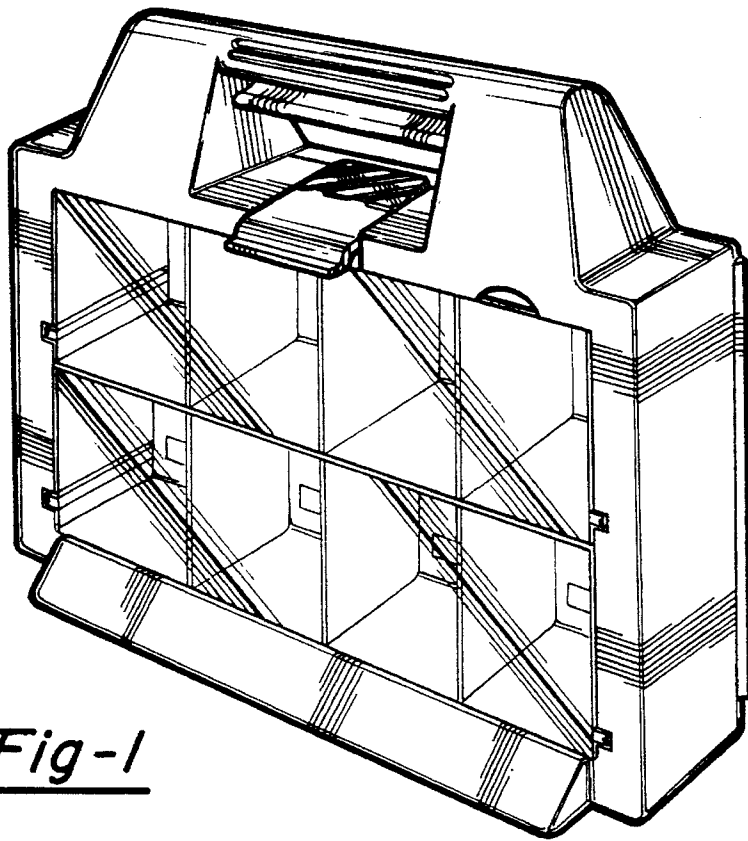


Fig-1

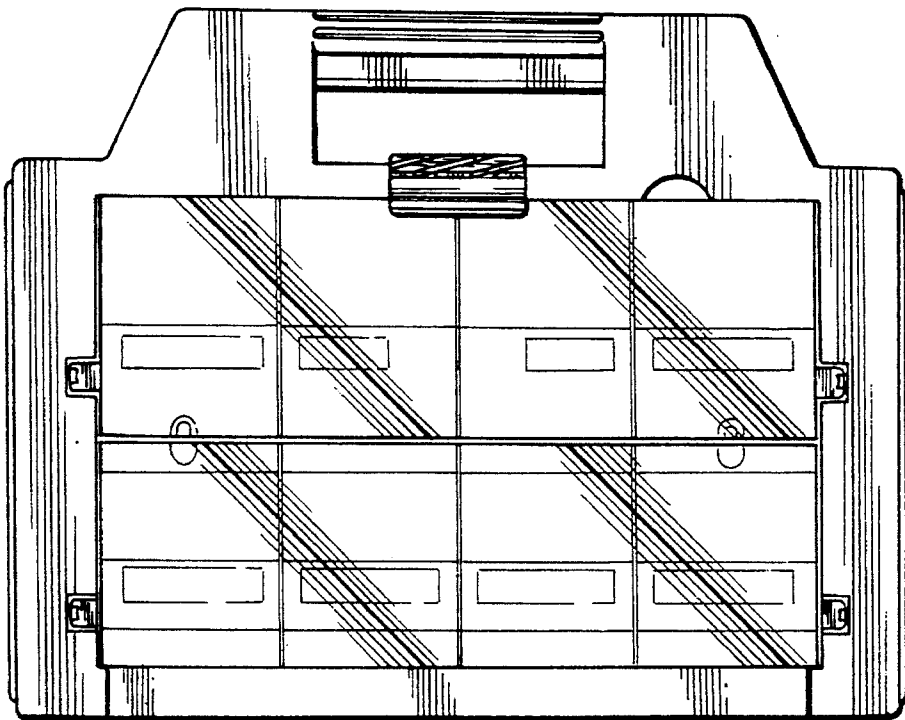


Fig-2

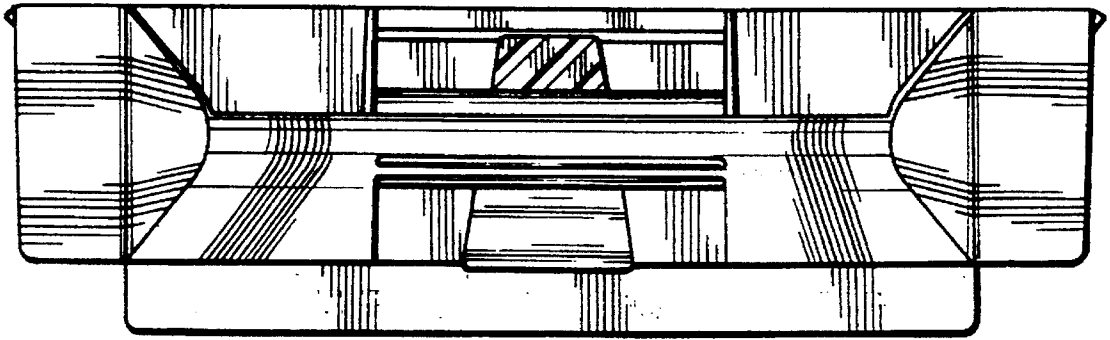


Fig-3

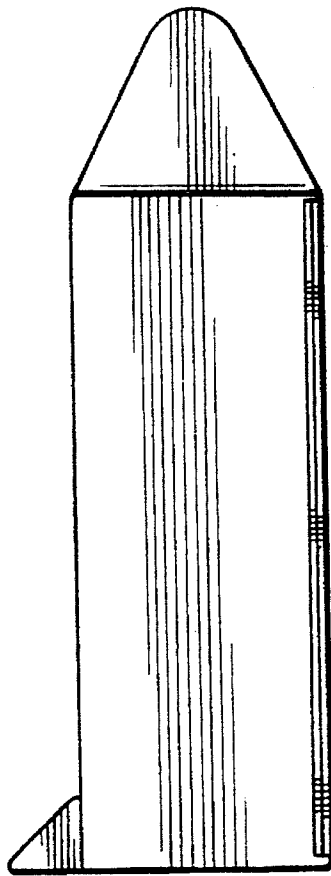


Fig-4

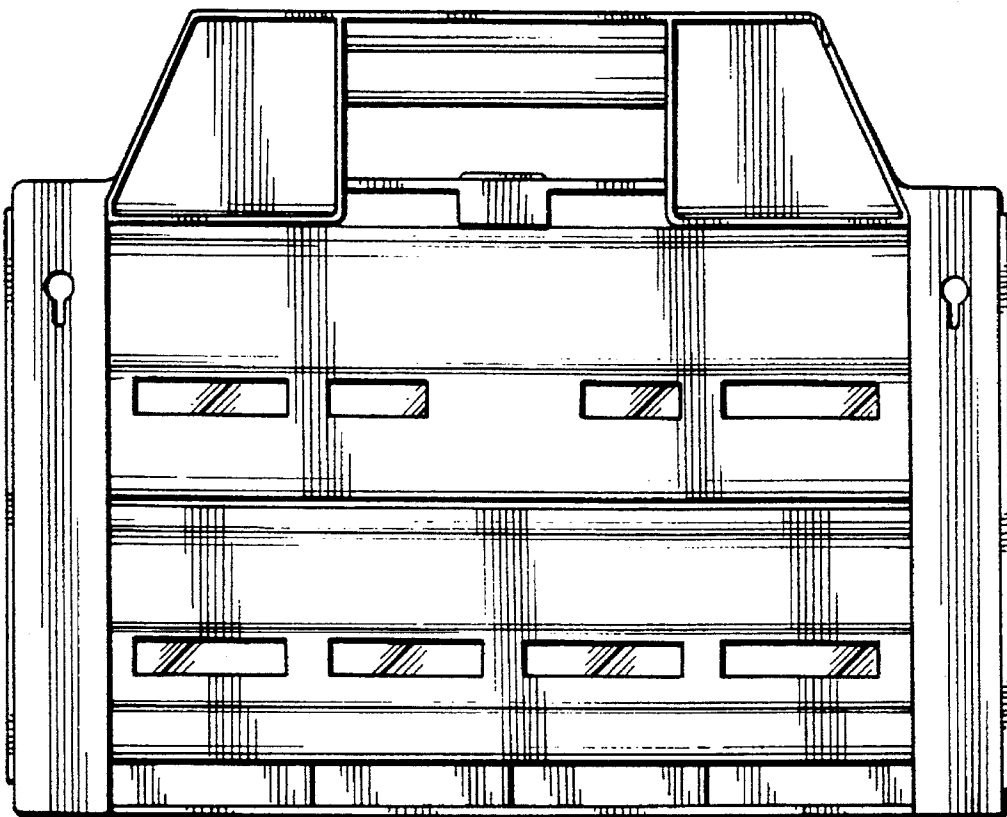


Fig-5

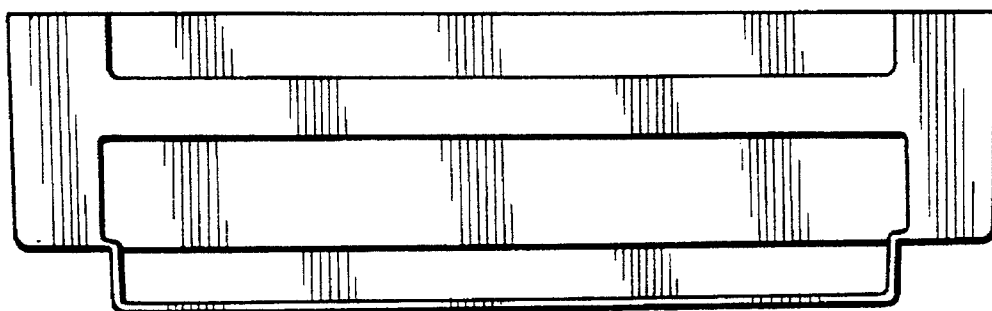


Fig-6