



US00D953129S

(12) **United States Design Patent**
Swartz et al.

(10) **Patent No.:** **US D953,129 S**

(45) **Date of Patent:** **** May 31, 2022**

- (54) **LUNCH BOX**
- (71) Applicant: **Lifetime Brands, Inc.**, Garden City, NY (US)
- (72) Inventors: **John Roscoe Swartz**, Ridgewood, NJ (US); **Alex Geller**, Brooklyn, NY (US)
- (73) Assignee: **Lifetime Brands, Inc.**, Garden City, NY (US)

- 2010/0308039 A1* 12/2010 Miros B65D 45/16
220/4.22
- 2011/0114526 A1* 5/2011 Neumann A45C 11/20
206/459.5
- 2013/0180217 A1* 7/2013 Brubaker G01R 33/4633
53/473
- 2014/0299505 A1* 10/2014 Stahle A45C 11/00
206/546
- 2014/0345314 A1* 11/2014 Cox A45C 11/20
62/440
- 2019/0375551 A1* 12/2019 Bell B65D 77/046

(**) Term: **15 Years**

(21) Appl. No.: **29/729,935**

(22) Filed: **Mar. 31, 2020**

(51) **LOC (13) Cl.** **03-01**

(52) **U.S. Cl.**
USPC **D7/703**; D7/629; D3/201

(58) **Field of Classification Search**
USPC D7/605, 607, 701, 703, 629, 630;
D3/287, 276, 289, 283, 272-274, 201,
D3/203.1-203.8
CPC A45C 11/20; A45C 11/00; A45C 13/02;
B65D 25/04; B65D 25/06; B65D 77/08;
B65D 43/14; B65D 43/16; B65D 1/24;
B65D 1/36; B65D 81/3813; B65D
81/3825; A47G 23/04; A45F 3/46
See application file for complete search history.

(56) **References Cited**

U.S. PATENT DOCUMENTS

- 4,346,813 A * 8/1982 Cho B65D 25/04
220/532
- D472,774 S * 4/2003 Pelstring D7/629
- 8,328,034 B2* 12/2012 Miros B65B 7/16
220/4.22
- 9,414,701 B1* 8/2016 Yen A47J 41/0072
- 2010/0224531 A1* 9/2010 Claffy B65D 81/3823
206/561

OTHER PUBLICATIONS

Amazon.com, Eco-Life Home Design Bento Box, pp. 1-9, ASIN: B07F7WV876, date first available Jul. 3, 2018. (Year: 2018).*

Amazon.com, LunchBots Medium Trio II Snack Container, pp. 1-12, ASIN: B01NA753TF, date first available Jan. 19, 2017. (Year: 2017).*

* cited by examiner

Primary Examiner — Terry A Wallace

(74) *Attorney, Agent, or Firm* — Tutunjian & Bitetto, P.C.

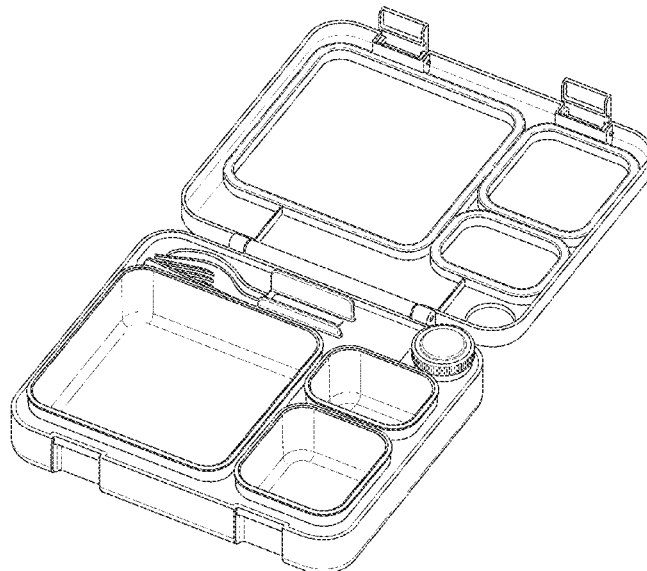
(57) **CLAIM**

The ornamental design for a lunch box, as shown and described.

DESCRIPTION

FIG. 1 is a top perspective view of the lunch box open showing our new design;
FIG. 2 is a top view thereof;
FIG. 3 is a bottom view thereof;
FIG. 4 is a rear view thereof;
FIG. 5 is a front view thereof;
FIG. 6 is a right side view thereof; and,
FIG. 7 is a left side view thereof.
The broken lines in the drawings represent environmental structure that makes up no part of the claimed design.

1 Claim, 5 Drawing Sheets



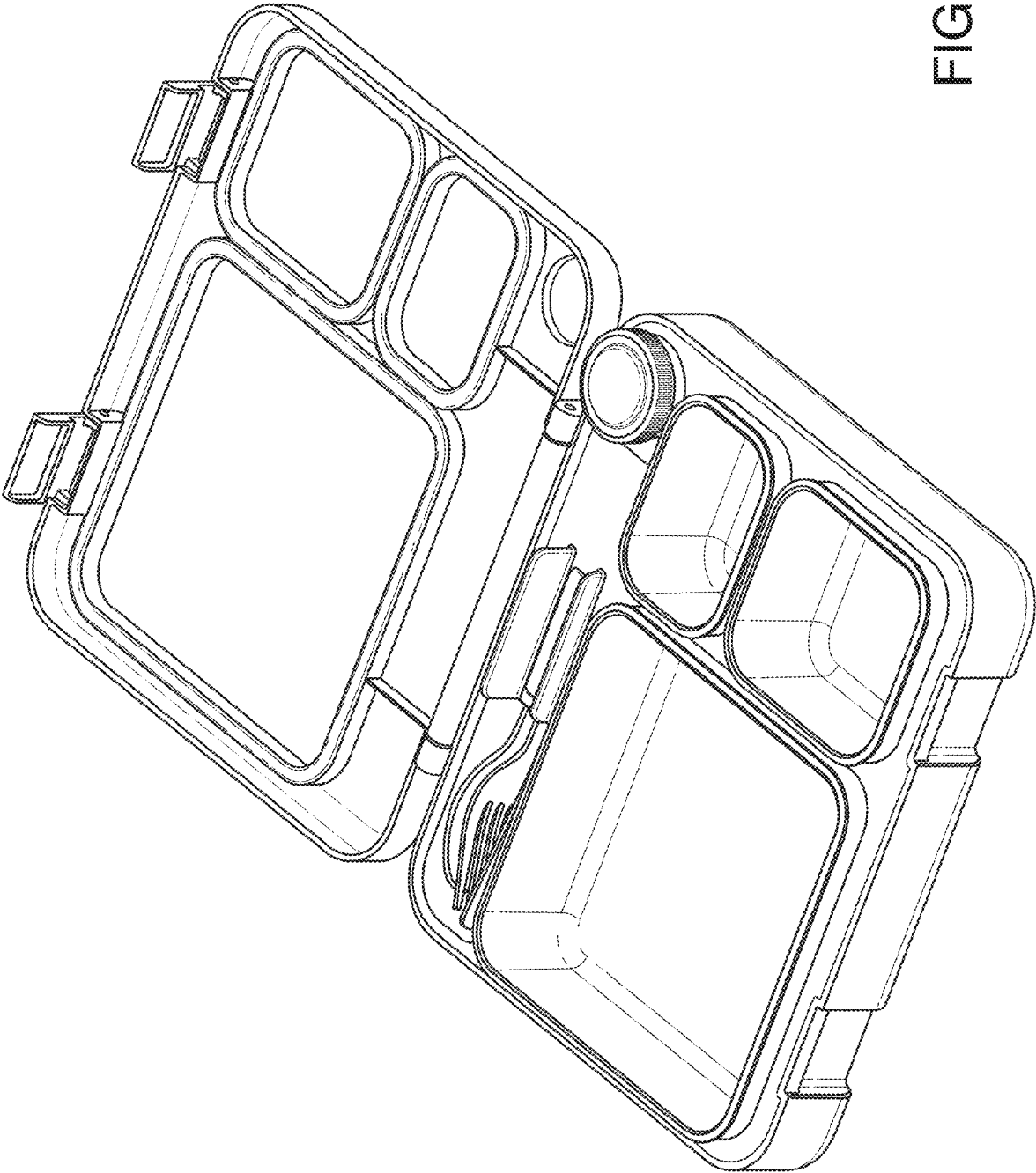


FIG. 1

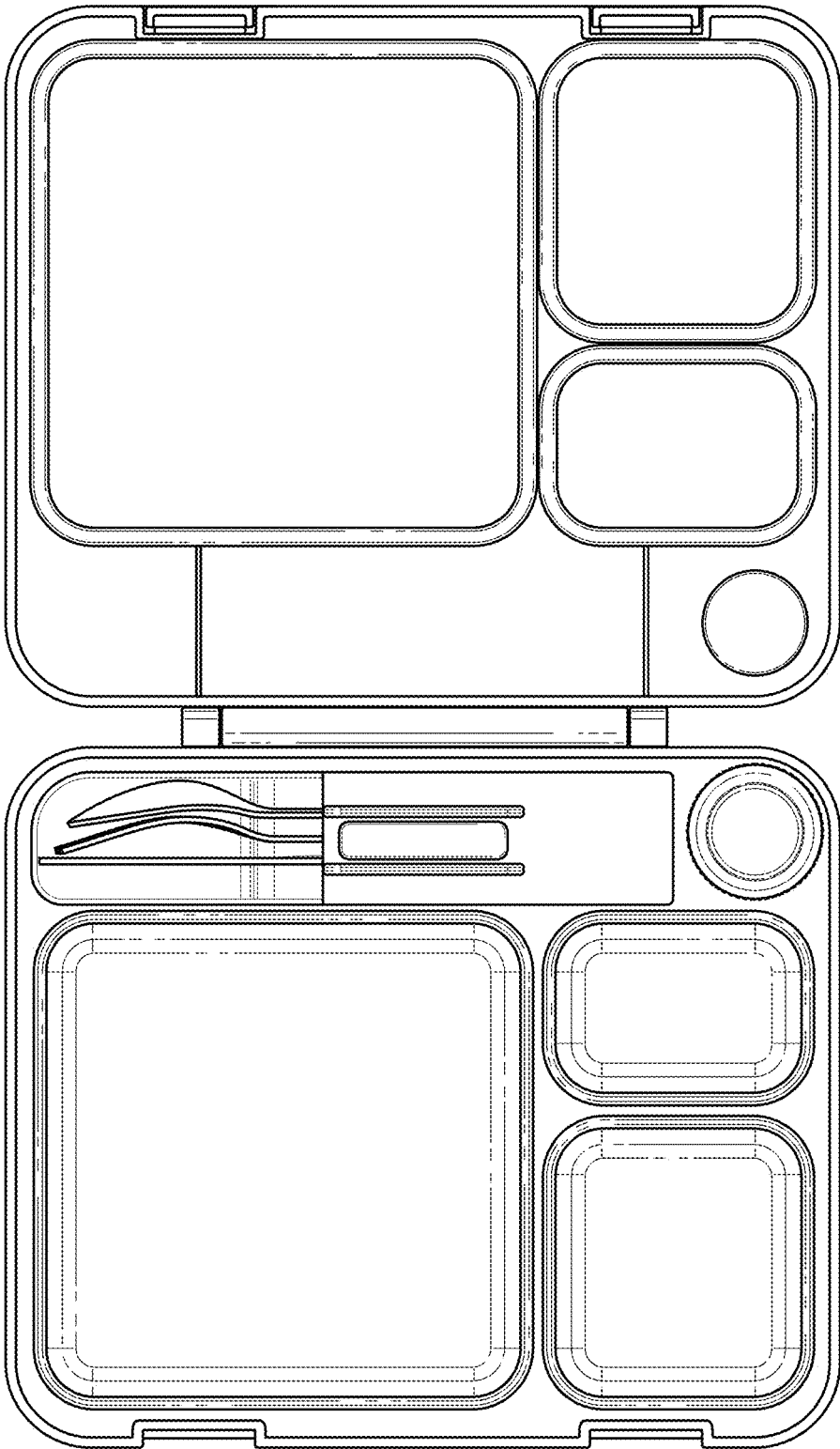


FIG. 2

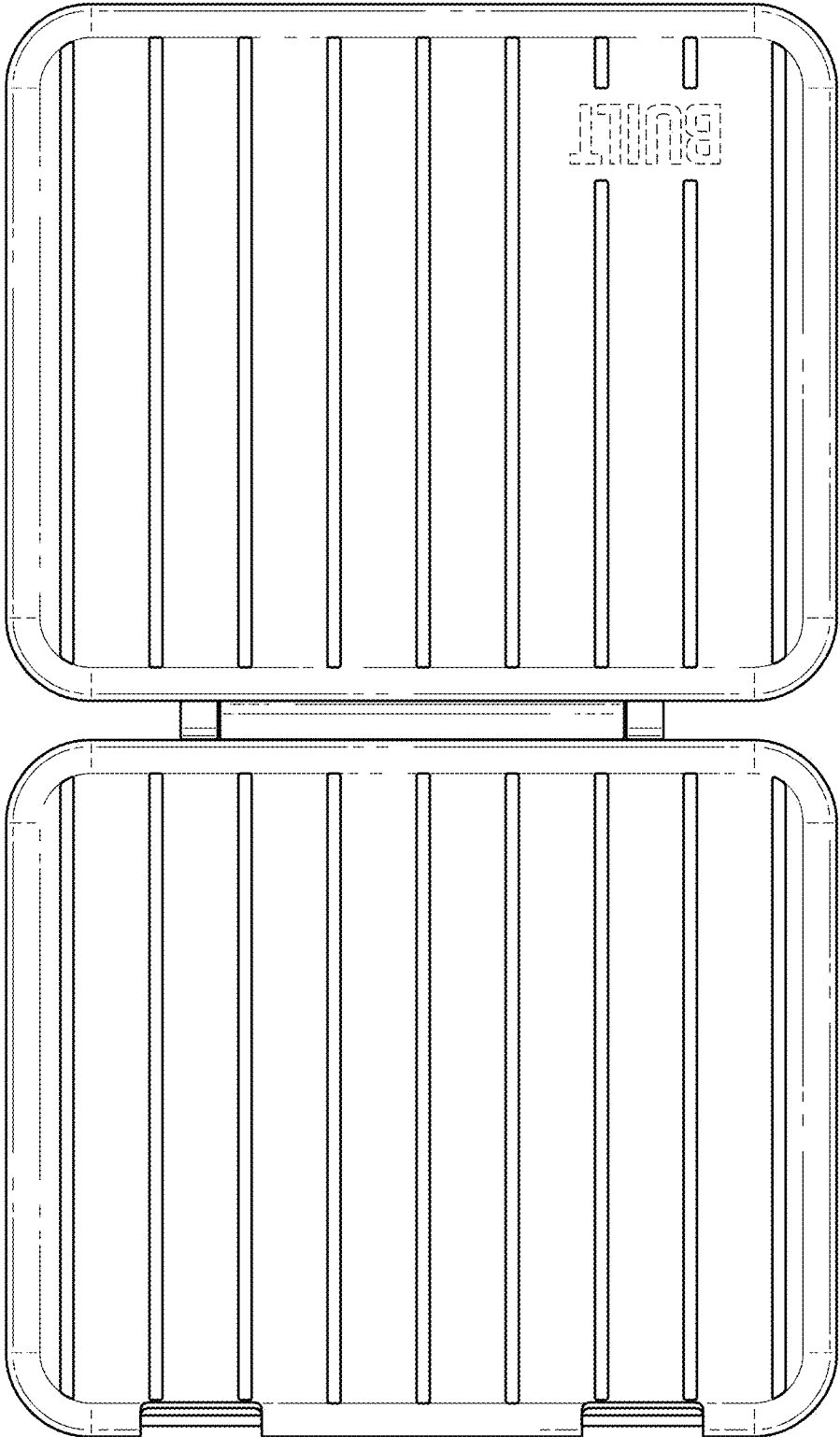


FIG. 3

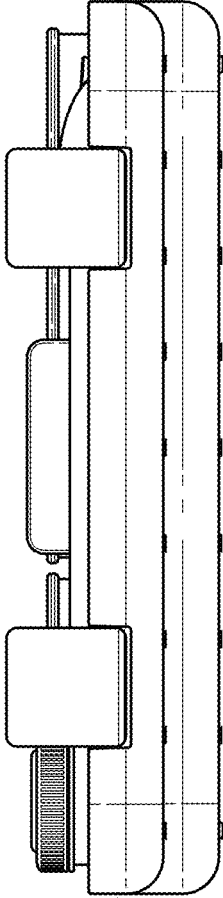


FIG. 4

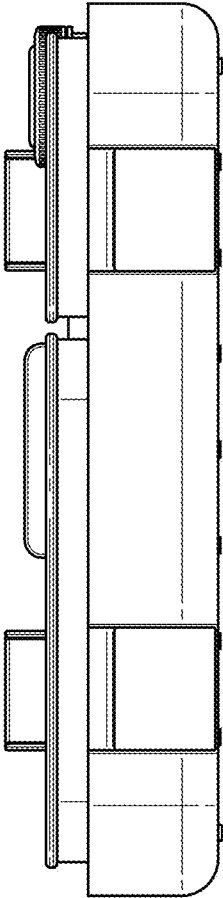


FIG. 5

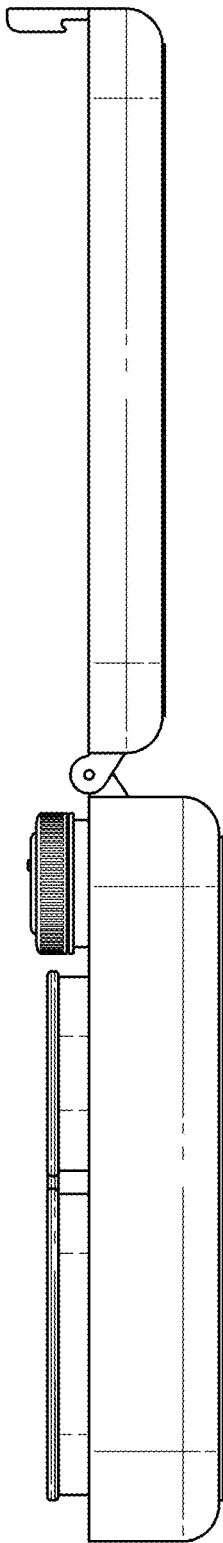


FIG. 6

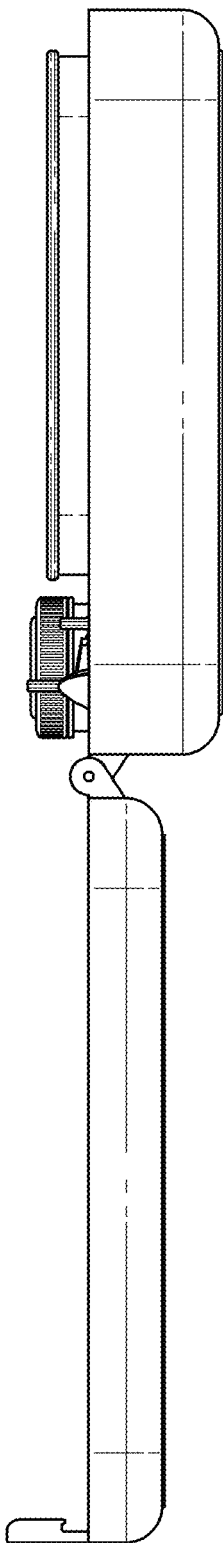


FIG. 7