



US00D600719S

(12) **United States Design Patent**
Honda

(10) **Patent No.:** **US D600,719 S**

(45) **Date of Patent:** **** Sep. 22, 2009**

(54) **DIGITAL VIDEO DISC PLAYER**

KR 30-0455790-02 7/2007

(75) Inventor: **Tatsuya Honda**, Yokohama (JP)

* cited by examiner

(73) Assignee: **Kabushiki Kaisha Toshiba**, Tokyo (JP)

Primary Examiner—Nanda Bondade
(74) *Attorney, Agent, or Firm*—Banner & Witcoff, Ltd.

(**) Term: **14 Years**

(57) **CLAIM**

(21) Appl. No.: **29/329,799**

The ornamental design for a digital video disc player, as shown and described.

(22) Filed: **Dec. 22, 2008**

(30) **Foreign Application Priority Data**

Oct. 30, 2008 (JP) 2008-027908

DESCRIPTION

(51) **LOC (9) Cl.** **14-01**

FIG. 1 is a front perspective view of a digital video disc player, showing my new design;

(52) **U.S. Cl.** **D14/503**

FIG. 2 is a front elevational view thereof;

(58) **Field of Classification Search** D14/440-446,
D14/496, 498-505, 137, 157, 167-168, 188,
D14/197-198, 257-258; 360/99.02, 99.07;
369/75.11, 75.21, 77.11, 77.21; 720/601,
720/612, 619, 649, 655; 455/344, 347-351
See application file for complete search history.

FIG. 3 is a rear elevational view thereof;

FIG. 4 is a top plan view thereof;

FIG. 5 is a bottom plan view thereof;

FIG. 6 is a right side elevational view thereof; the opposite side being a mirror image thereof;

FIG. 7 is a top plan view thereof with a cover in an opened state;

FIG. 8 is a front elevational view thereof with the cover in an opened state;

(56) **References Cited**

U.S. PATENT DOCUMENTS

- D270,442 S * 9/1983 O'Leary et al. D14/502
- 5,859,828 A * 1/1999 Ishibashi 720/655
- D485,245 S * 1/2004 Shiraki et al. D14/506
- D488,819 S * 4/2004 Nagao et al. D14/496
- D511,757 S * 11/2005 Wu D14/505
- D512,037 S * 11/2005 Huang D14/502
- D563,921 S * 3/2008 Suzuki D14/502

FIG. 9 is a right side elevational view thereof with the cover in an opened state;

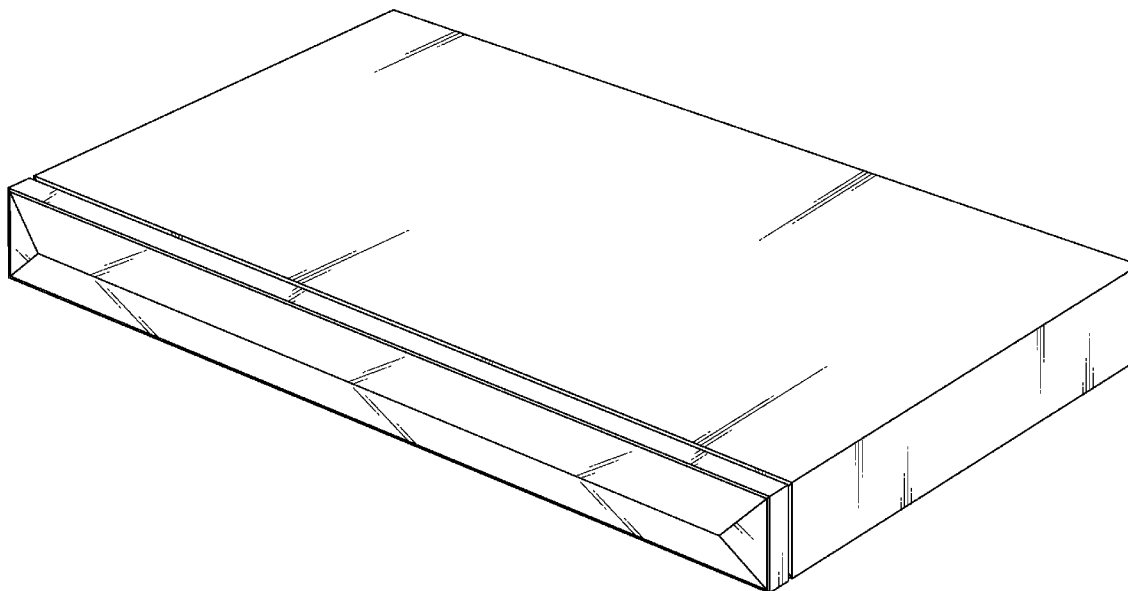
FIG. 10 is a front perspective view thereof with the cover in an opened state; and,

FIG. 11 is a front perspective view thereof in which a tray is drawn out.

FOREIGN PATENT DOCUMENTS

JP D1103139 3/2001

1 Claim, 8 Drawing Sheets



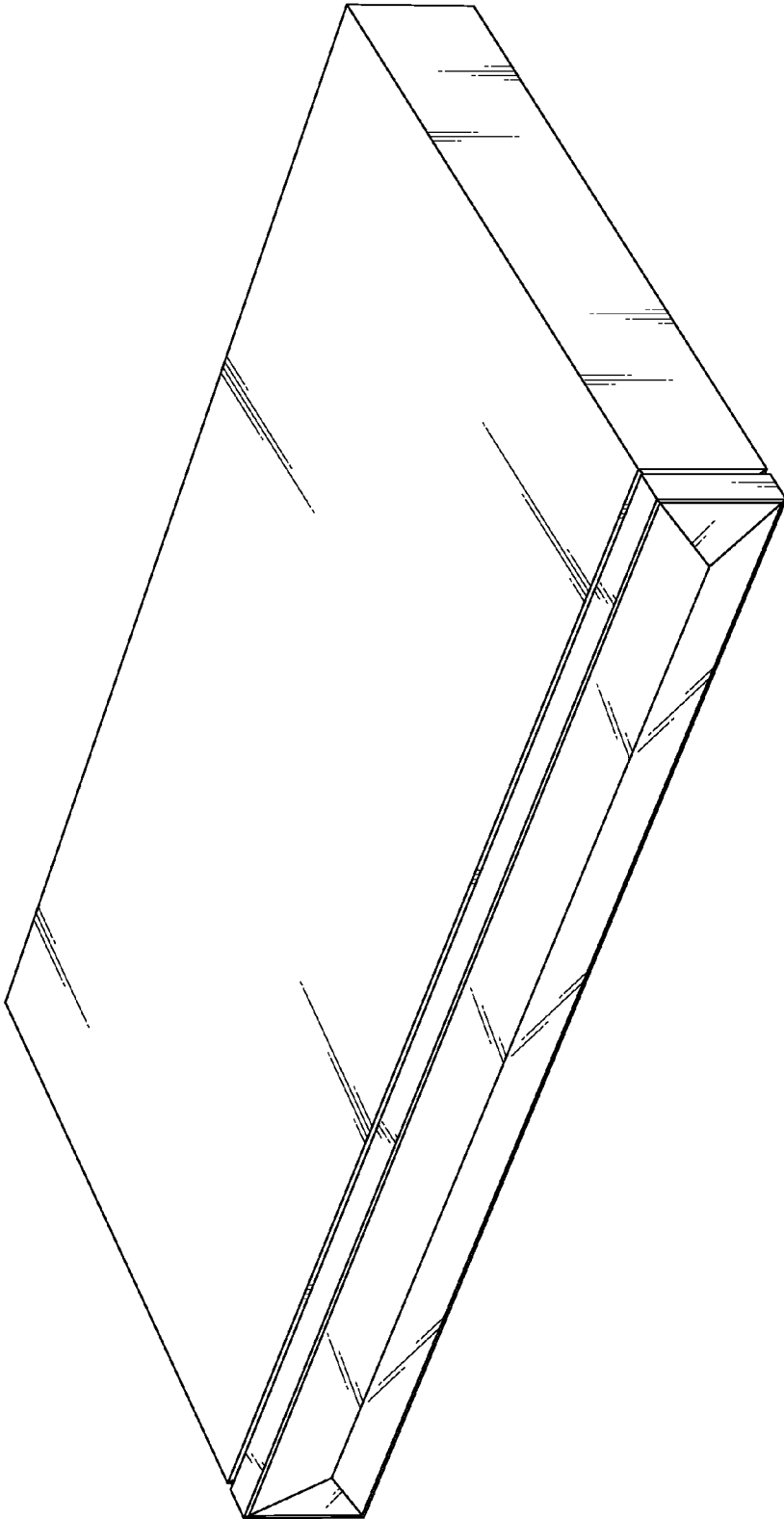


FIG.1

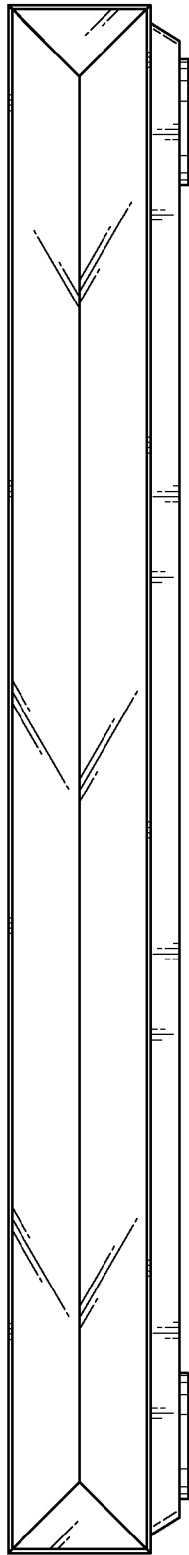


FIG. 2

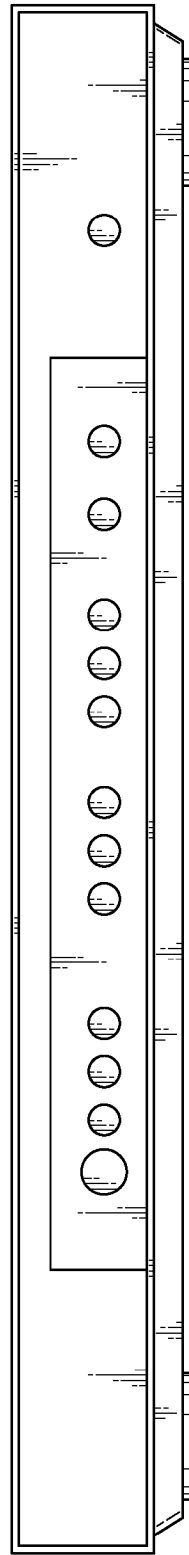


FIG. 3

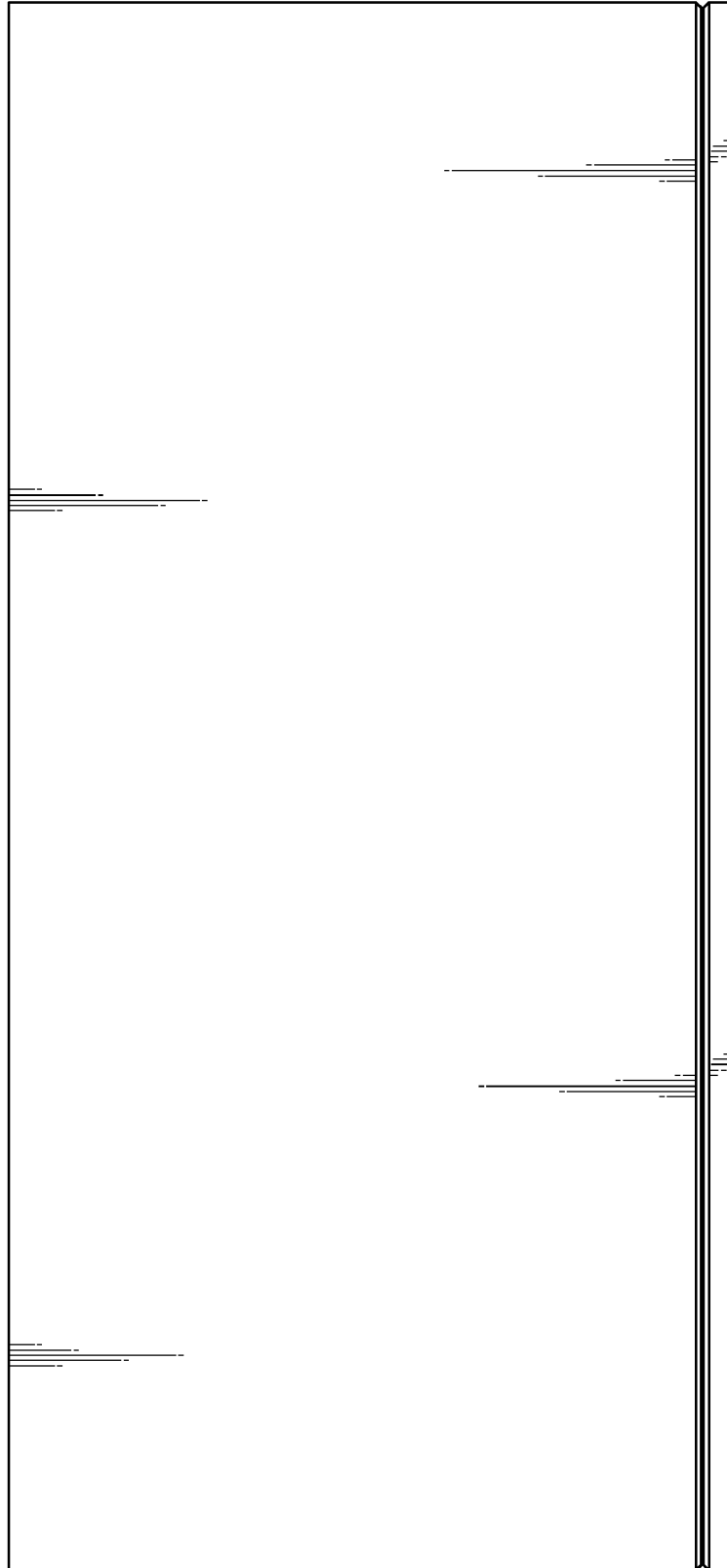


FIG.4

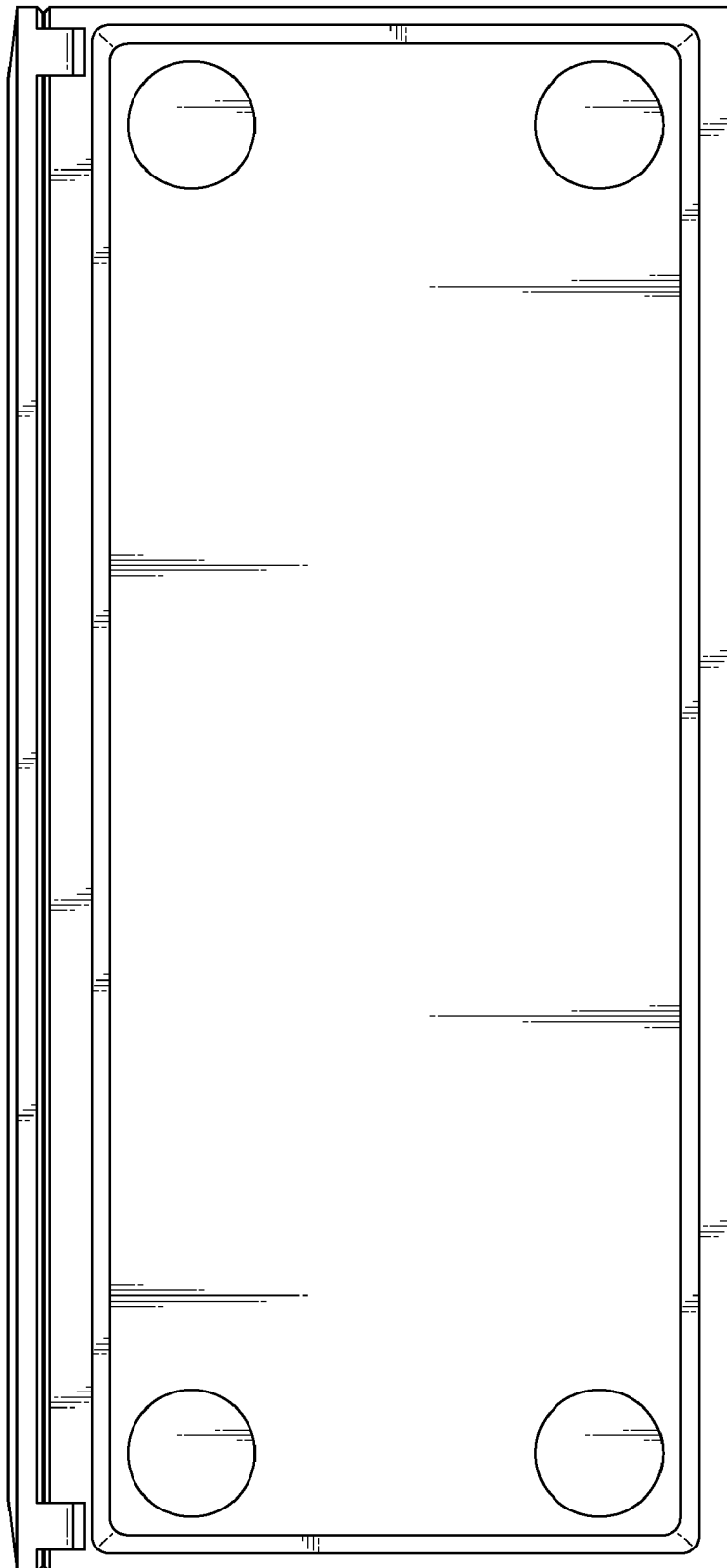


FIG.5

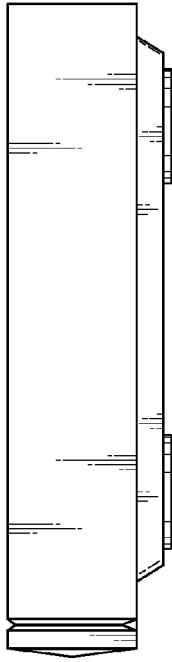


FIG. 6

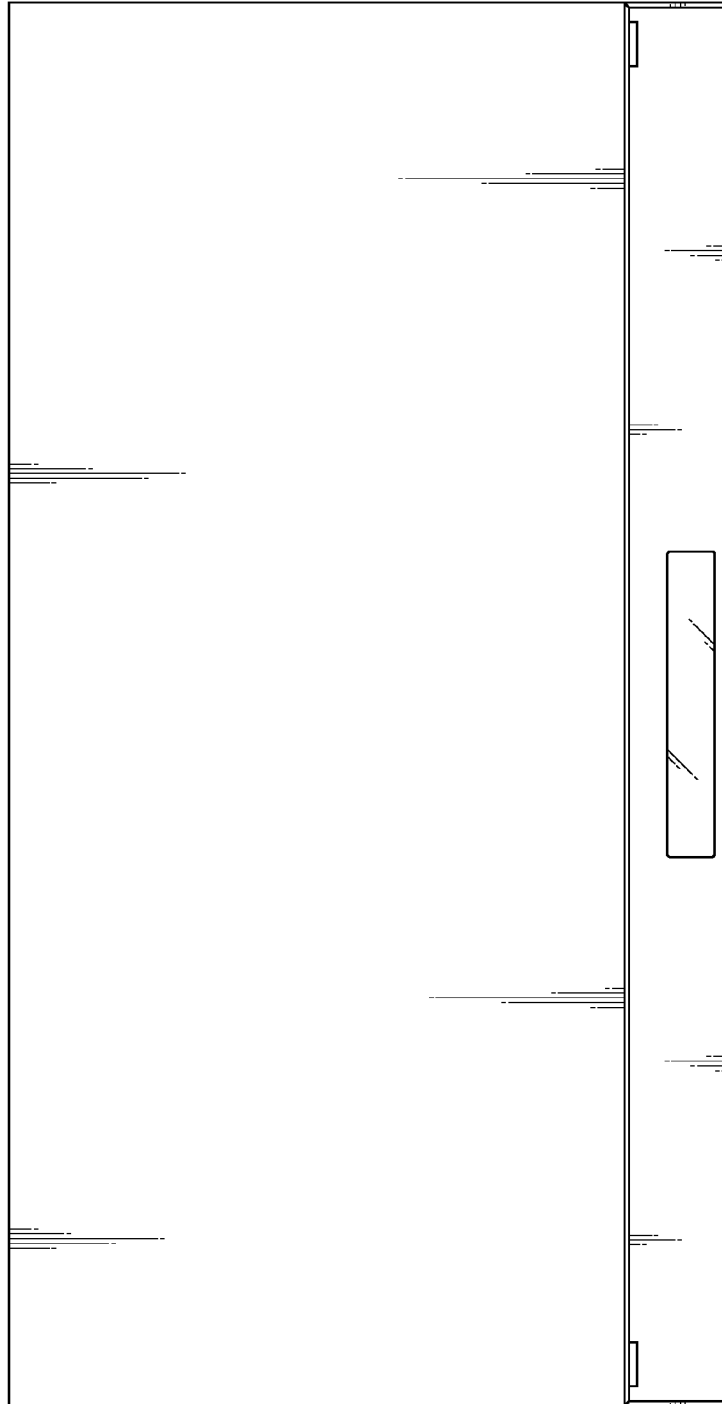


FIG. 7

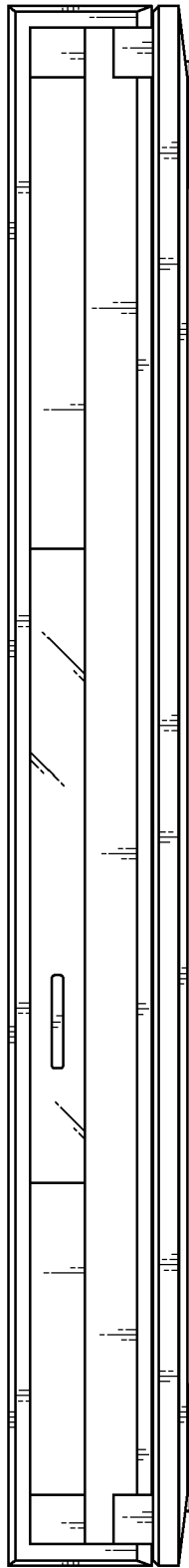


FIG. 8

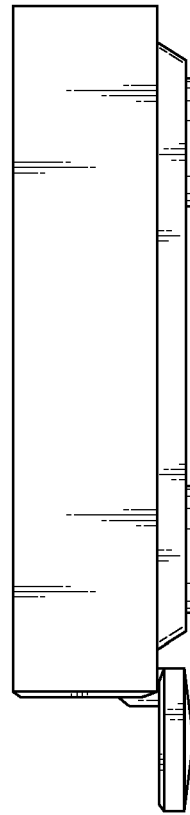


FIG. 9

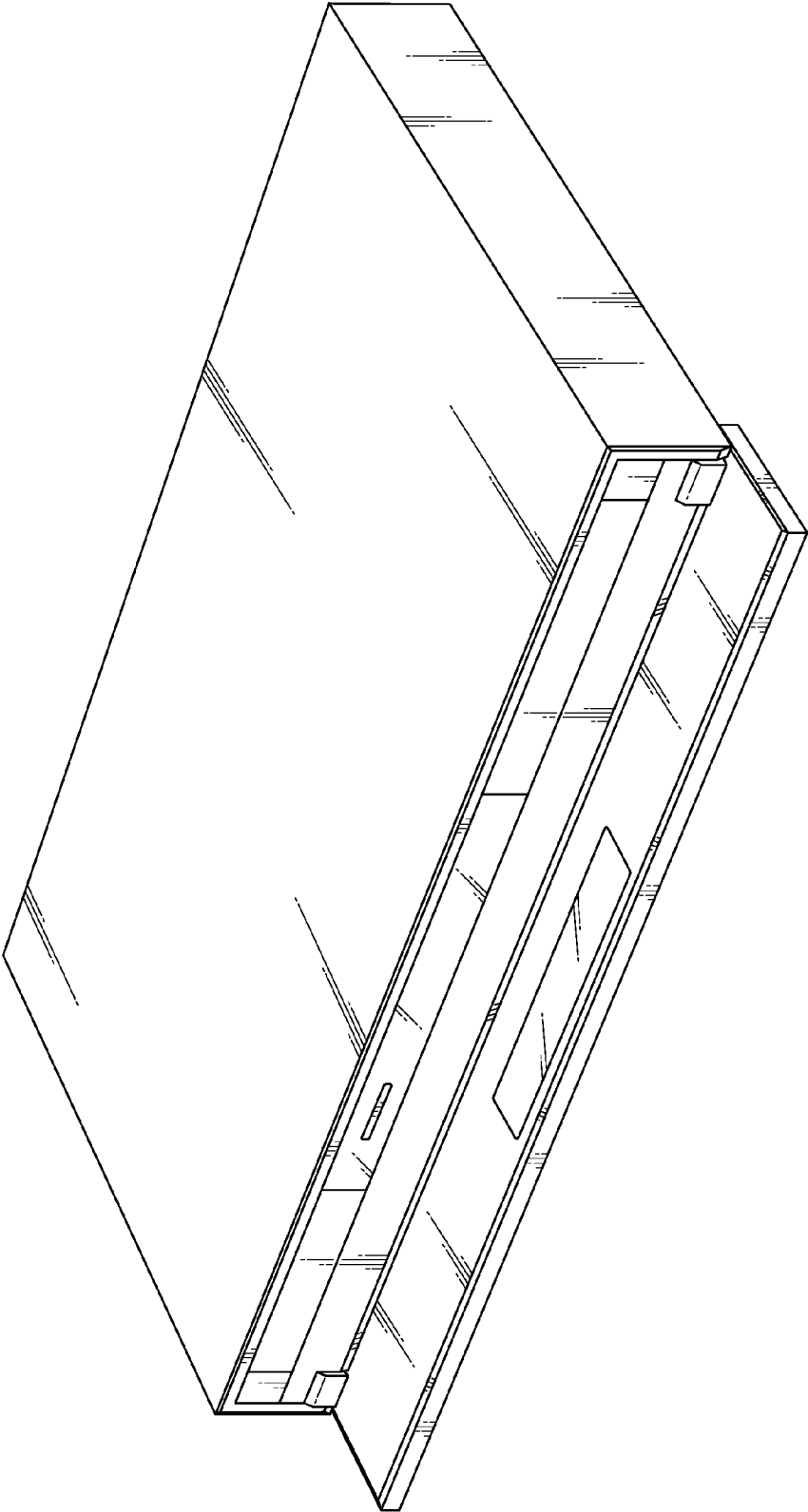


FIG.10

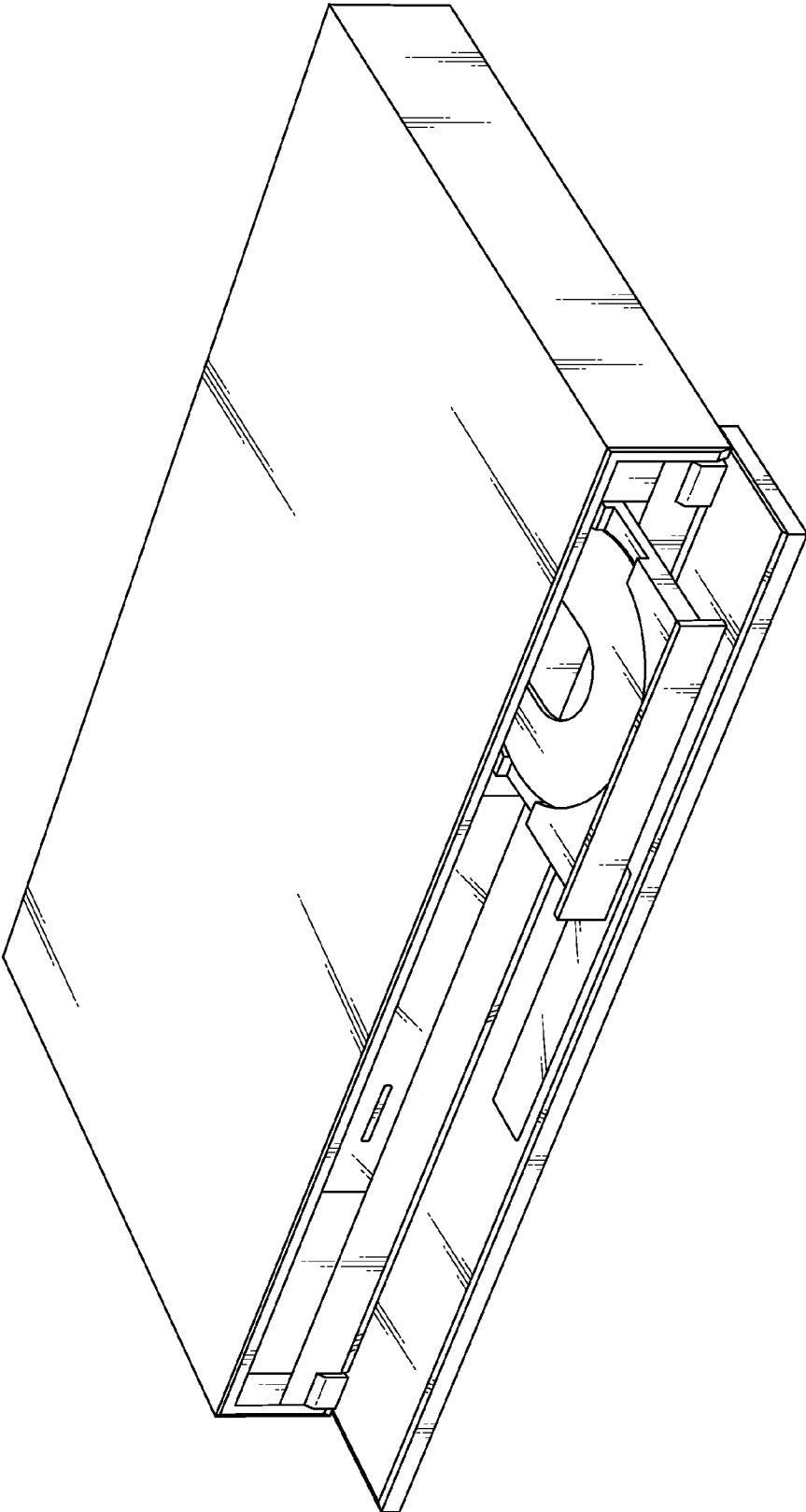


FIG.11