



US00D586488S

(12) **United States Design Patent**
Kung

(10) **Patent No.:** **US D586,488 S**

(45) **Date of Patent:** **** Feb. 10, 2009**

(54) **FLASHLIGHT**

Primary Examiner—Ian Simmons
Assistant Examiner—Dana L Sipos

(75) Inventor: **Kenneth Kung**, Columbus, OH (US)

(73) Assignee: **Dorcy International Inc.**, Columbus

(**) Term: **14 Years**

(21) Appl. No.: **29/302,148**

(22) Filed: **Jan. 11, 2008**

(51) **LOC (9) Cl.** **26-02**

(52) **U.S. Cl.** **D26/49**

(58) **Field of Classification Search** D26/24,
D26/37, 46, 49–50; 362/183, 194–195, 202–205
See application file for complete search history.

(56) **References Cited**

U.S. PATENT DOCUMENTS

D437,436 S *	2/2001	Brown	D26/49
D463,596 S *	9/2002	McGaffigan	D26/49
D565,769 S *	4/2008	Shiu	D26/49

* cited by examiner

(57) **CLAIM**

The ornamental design for a flashlight, as shown and described.

DESCRIPTION

FIG. 1 is a front elevation view of a flashlight showing my new design;

FIG. 2 is a rear elevation view thereof;

FIG. 3 is a left side elevation view thereof;

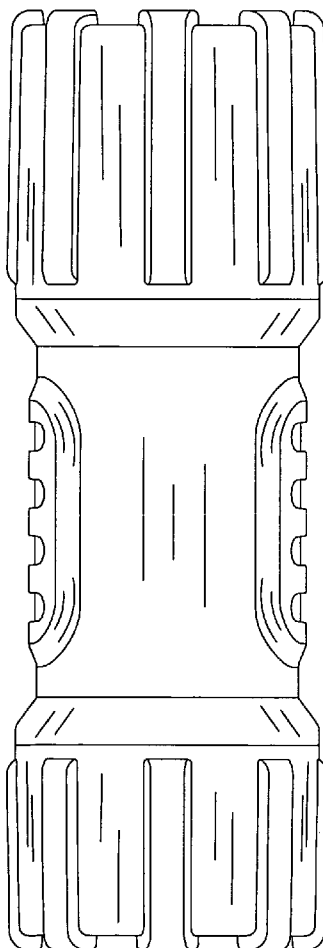
FIG. 4 is a right side elevation view thereof;

FIG. 5 is a top plan view thereof; and,

FIG. 6 is a bottom plan view thereof.

The broken line shown in the drawings represent unclaimed details of the flashlight and form no part of the claimed design.

1 Claim, 3 Drawing Sheets



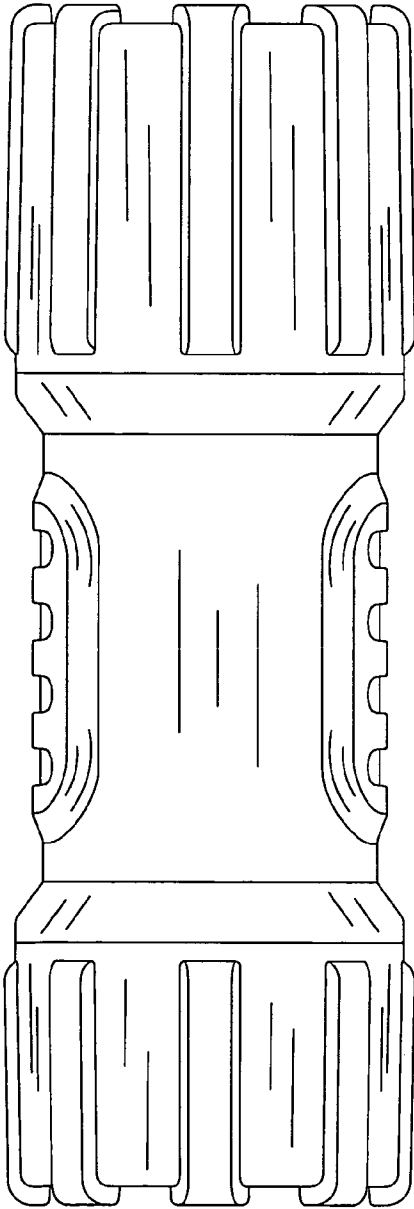


FIG.1

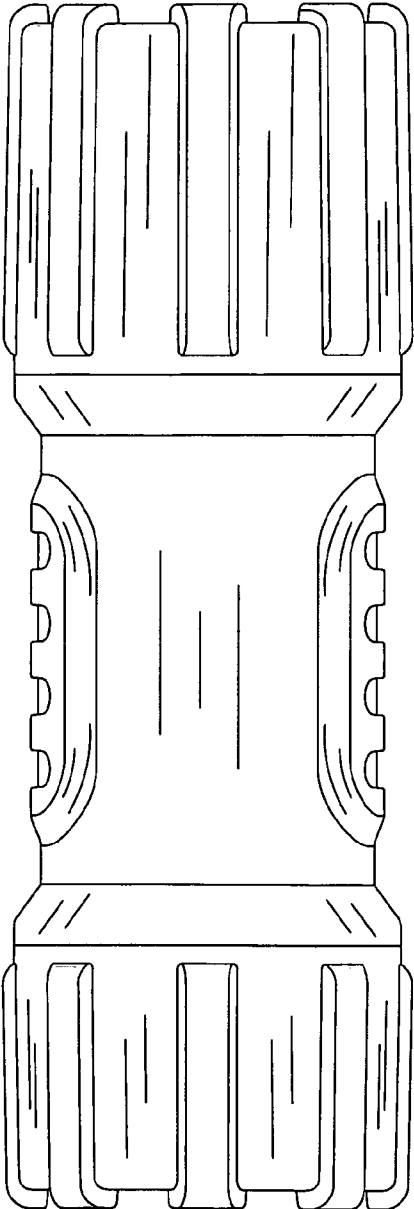


FIG.2

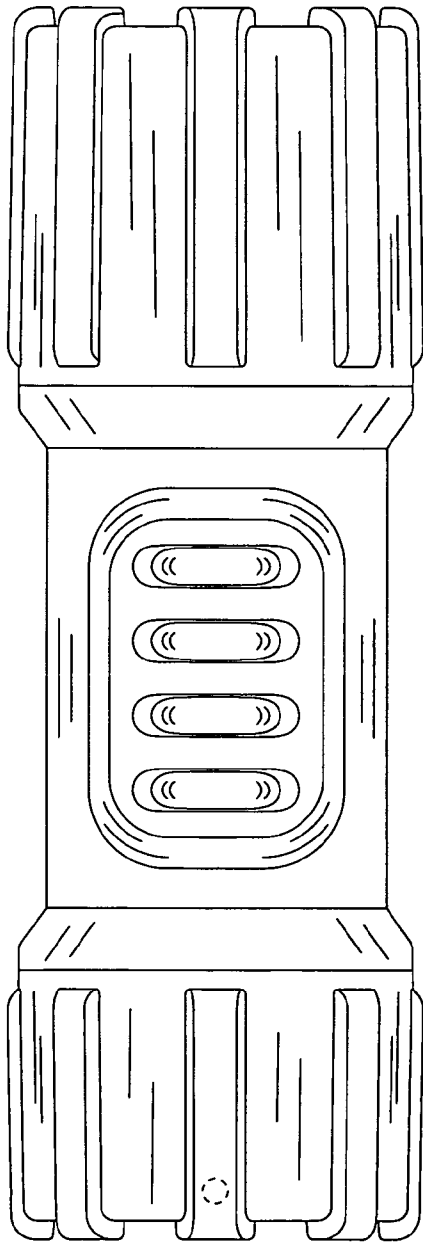


FIG.3

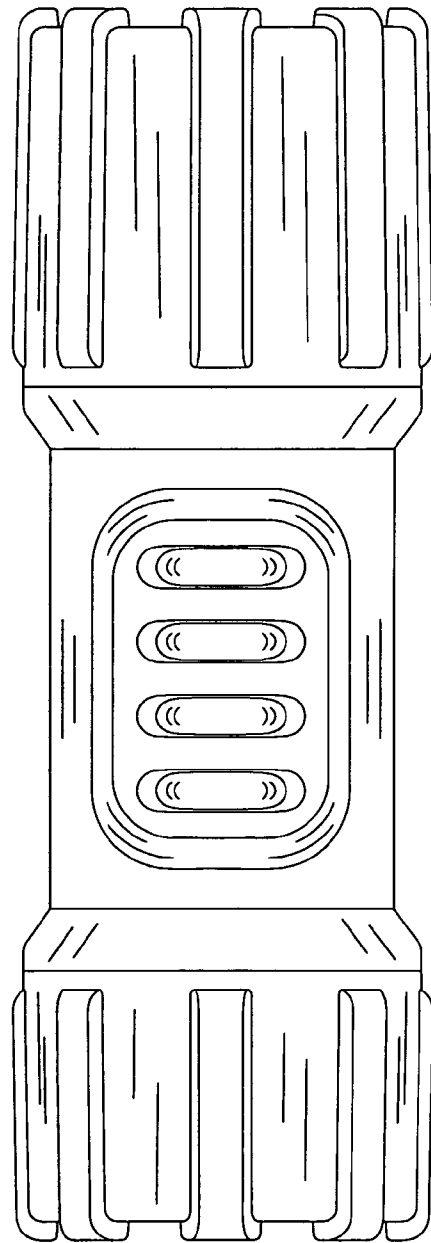


FIG.4

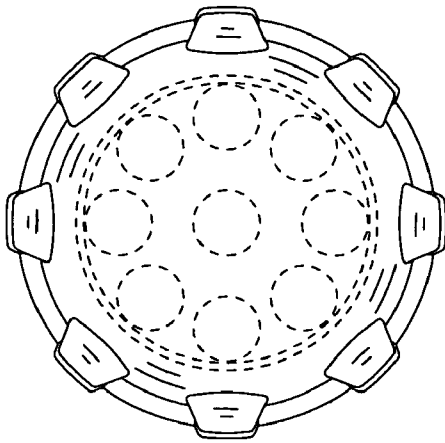


FIG.5

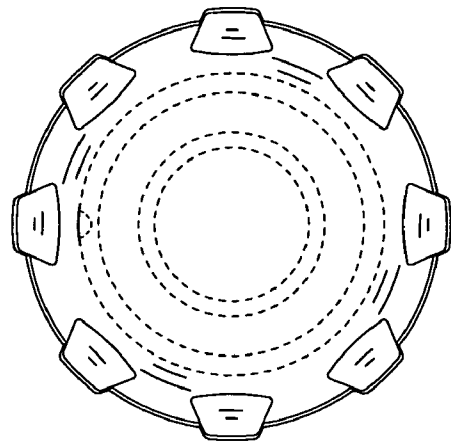


FIG.6