



(12) **United States Design Patent**  
**Seiders et al.**

(10) **Patent No.:** **US D844,382 S**  
(45) **Date of Patent:** **\*\* \*Apr. 2, 2019**

- (54) **CONTAINER**
- (71) Applicant: **YETI Coolers, LLC**, Austin, TX (US)
- (72) Inventors: **Roy Joseph Seiders**, Austin, TX (US);  
**Matthew Joseph Petrillo**, Austin, TX (US); **Kyle Ellison**, Austin, TX (US)
- (73) Assignee: **YETI Coolers, LLC**, Austin, TX (US)
- (\* ) Notice: This patent is subject to a terminal disclaimer.
- (\*\*) Term: **15 Years**
- (21) Appl. No.: **29/606,300**

- (22) Filed: **Jun. 2, 2017**
- (51) **LOC (11) Cl.** ..... **07-01**
- (52) **U.S. Cl.**  
USPC ..... **D7/510; D7/511; D7/532**
- (58) **Field of Classification Search**  
USPC ..... **D7/392.1, 396.2, 387, 396.3, 388, 900, D7/507, 555, 510, 511, 533, 536, 397,**  
(Continued)

- (56) **References Cited**  
**U.S. PATENT DOCUMENTS**  
D192,192 S 2/1962 Tupper  
4,090,660 A 5/1978 Schram et al.  
(Continued)

- FOREIGN PATENT DOCUMENTS**  
EP 0654417 A1 5/1995  
EP 1332977 A1 8/2003  
GB 253358 A 6/1926

**OTHER PUBLICATIONS**  
Jane. Spill Resistant Flip Lid and Yeti Accessories. Dec. 5, 2016 [earliest online date], [site visited Apr. 28, 2017]. Available from

Internet, <URL:https://jane.com/deal/263319/spill-resistant-flip-lid-and-yeti-accessories-30oz-many-colors>.  
(Continued)

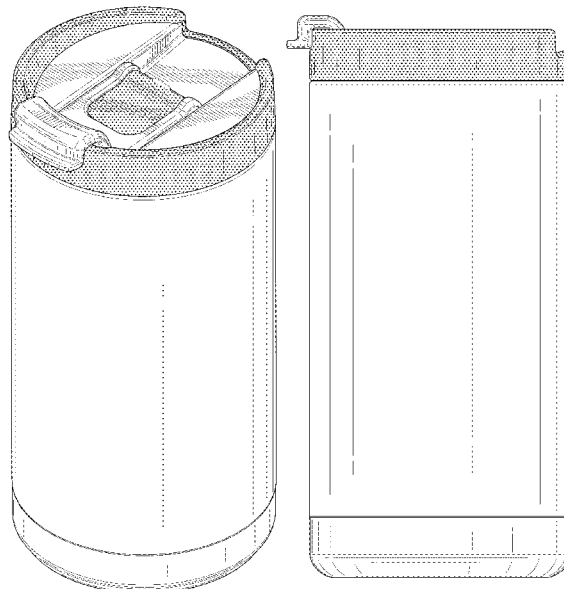
*Primary Examiner* — Marianne N Pandozzi  
*Assistant Examiner* — Jae Liang  
(74) *Attorney, Agent, or Firm* — Banner & Witcoff, Ltd.

(57) **CLAIM**  
The ornamental design for a container, as shown and described.

**DESCRIPTION**

FIG. 1 is a top, front, right perspective view of a container showing our new design;  
FIG. 2 is a bottom perspective view thereof;  
FIG. 3 is a front view thereof;  
FIG. 4 is a rear view thereof;  
FIG. 5 is a right side view thereof;  
FIG. 6 is a left side view thereof;  
FIG. 7 is a top view thereof;  
FIG. 8 is a bottom view thereof;  
FIG. 9 is a top, front, right perspective view of a container showing our new design in an alternate configuration;  
FIG. 10 is a bottom perspective view thereof;  
FIG. 11 is a front view thereof;  
FIG. 12 is a rear view thereof;  
FIG. 13 is a right side view thereof;  
FIG. 14 is a left side view thereof;  
FIG. 15 is a top view thereof; and,  
FIG. 16 is a top, front, right perspective view of a container showing our new design in a second alternate configuration. The broken lines in the drawings depict portions of the container that form no part of the claimed design. The stippling in the drawings indicate a contrast in appearance.

**1 Claim, 16 Drawing Sheets**



(58) **Field of Classification Search**  
 USPC .. D7/398, 396.1, 620, 619.1, 532, 509, 608;  
         D9/436, 434, 435, 454, 420, 414, 453,  
         D9/555, 553, 568, 450; 220/200, 703,  
         220/592.16, 592.17; D8/382, 395, 396,  
         D8/394; D11/143, 153  
 CPC ..... B65D 41/56; B65D 43/02; B65D 1/265;  
         A47G 19/2216; A47G 19/22; A47G  
                 19/2222  
 See application file for complete search history.

(56) **References Cited**  
 U.S. PATENT DOCUMENTS

4,202,459	A	5/1980	DeParales et al.	
4,408,703	A	10/1983	Libit	
D288,667	S	3/1987	Miner	
D363,666	S	10/1995	Goto et al.	
5,746,338	A	5/1998	Takahashi et al.	
D416,755	S	11/1999	Trombly	
D485,759	S	1/2004	Janky et al.	
D504,796	S	5/2005	Schuler et al.	
D544,749	S	6/2007	Seum et al.	
D552,926	S	10/2007	Yelland	
D584,566	S	1/2009	Fuller	
D608,140	S	1/2010	Gilbert	
D623,017	S	9/2010	George	
D627,600	S	* 11/2010	Eyal	D7/510
D643,245	S	8/2011	Minarsch	
D644,060	S	8/2011	Komeiji	
D647,753	S	11/2011	Lin	
D655,570	S	3/2012	Meehan	
D655,604	S	3/2012	Molina et al.	
D655,967	S	3/2012	Bodum	
D662,354	S	6/2012	Bodum	
D666,052	S	8/2012	Trombly	
D667,263	S	9/2012	Gilbert et al.	
8,276,776	B2	10/2012	Roth et al.	
D674,663	S	1/2013	Cahen	
D691,416	S	10/2013	Eyal	
D692,756	S	11/2013	McClellan et al.	
D696,900	S	1/2014	George et al.	
D710,698	S	8/2014	Giraud et al.	
D715,100	S	10/2014	Eyal	
D717,103	S	11/2014	Wilbur	
D717,115	S	* 11/2014	Lane	D7/511
D721,535	S	* 1/2015	Chapman	D7/396.2
D721,540	S	1/2015	Grcic	
D732,337	S	6/2015	Coon et al.	
D747,199	S	1/2016	Phillips	
D751,340	S	3/2016	Seiders et al.	
D751,341	S	3/2016	Seiders et al.	
D752,381	S	3/2016	Wahl	
D752,397	S	* 3/2016	Seiders	D7/608
9,346,076	B1	5/2016	Ford	
D761,618	S	7/2016	Lapsker	

D764,869	S	8/2016	Smrtnik et al.	
D772,651	S	11/2016	Leonard et al.	
D779,872	S	2/2017	Bergstrom	
D780,531	S	* 3/2017	Seiders	D7/608
D789,737	S	6/2017	Eyal	
D795,020	S	* 8/2017	Seiders	D7/510
D796,256	S	9/2017	Stover et al.	
D799,899	S	* 10/2017	Rummel	D7/510
D801,746	S	11/2017	Thuma et al.	
D802,362	S	* 11/2017	Spivey	D7/396.2
D803,619	S	* 11/2017	Seiders	D7/392.1
D803,684	S	* 11/2017	Seiders	D9/449
D804,905	S	12/2017	Seiders et al.	
D805,838	S	12/2017	Guthrie	
D807,701	S	* 1/2018	Bo	D7/507
D808,218	S	1/2018	Seiders et al.	
D814,240	S	* 4/2018	Kabalin	D7/510
2010/0288782	A1	* 11/2010	Lin	A47G 19/22 220/752
2011/0114655	A1	5/2011	Bailey	
2012/0125931	A1	5/2012	Roth et al.	
2013/0186918	A1	7/2013	Menceles et al.	
2014/0374418	A1	12/2014	Ouellette	
2015/0021345	A1	1/2015	Wu	
2015/0266597	A1	9/2015	Hertzog et al.	
2017/0273484	A1	9/2017	Spivey et al.	

OTHER PUBLICATIONS

“Contigo Extreme Stainless Steel Travel Mug”. Found online Mar. 9, 2017 at amazon.com. Page dated Sep. 13, 2016. Retrieved from [https://www.amazon.com/Contigo-Extreme-Stainless-Insulated-Limited/dp/B01LZGBMKT/ref=pd\\_sim\\_79\\_3?\\_encoding=UTF8&psc=&refRID=A4VHP8EG6AKH3BG73BMZ](https://www.amazon.com/Contigo-Extreme-Stainless-Insulated-Limited/dp/B01LZGBMKT/ref=pd_sim_79_3?_encoding=UTF8&psc=&refRID=A4VHP8EG6AKH3BG73BMZ).

“Bubba Hero Bottle Replacement Lid”. Found online Mar. 9, 2017 at amazon.com. Page dated Jan. 14, 2015. Retrieved from [https://www.amazon.com/bubba-HERO-bottle-replacement-lid/dp/B00QQYDI44/ref=cm\\_cr\\_ar\\_p\\_d\\_product\\_top?ie=UTF8](https://www.amazon.com/bubba-HERO-bottle-replacement-lid/dp/B00QQYDI44/ref=cm_cr_ar_p_d_product_top?ie=UTF8).

“Hydro Flask Wide Mouth Hydro Flip Lid”. Found online Mar. 9, 2017 at amazon.com. Page dated Oct. 9, 2012. Retrieved from [http://www.amazon.com/Hydro-Flask-Wide-Mouth-Black/dp/B01GW2H430/ref=cm\\_cr\\_ar\\_p\\_d\\_product\\_top?ie=UTF8](http://www.amazon.com/Hydro-Flask-Wide-Mouth-Black/dp/B01GW2H430/ref=cm_cr_ar_p_d_product_top?ie=UTF8).

“Bubba Brands Classic Insulated Travel Mug”. Found online Mar. 9, 2017 at amazon.com. Page dated Sep. 30, 2010. Retrieved from [https://www.amazon.com/Bubba-Brands-1953403-Classic-Insulated/dp/B01FB71G8Y/ref=cm\\_cr\\_ar\\_p\\_d\\_product\\_top?ie=UTF8](https://www.amazon.com/Bubba-Brands-1953403-Classic-Insulated/dp/B01FB71G8Y/ref=cm_cr_ar_p_d_product_top?ie=UTF8).

Hydro Flask. Hydro Flip. 2015 [earliest online date], [site visited Apr. 28, 2017]. Available from Internet, <URL:<https://www.hydroflask.com/hydro-flip#92=57>>.

Aug. 23, 2017—(WO) International Search and Written Opinion—APP. PCT/US2017/038341.

Aug. 23, 2017—(WO) International Search Report and Written Opinion—App. PCT/US2017/038344.

\* cited by examiner

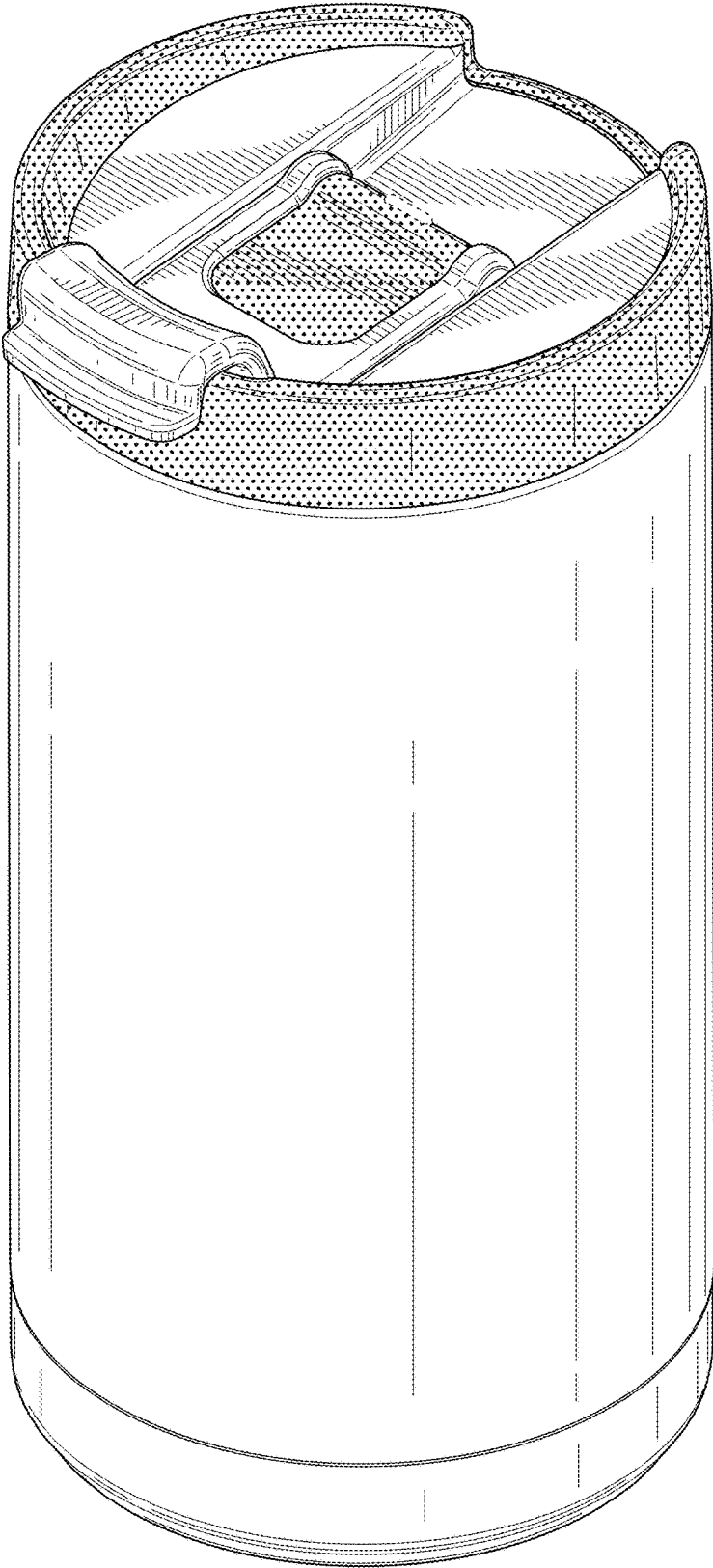


FIG. 1

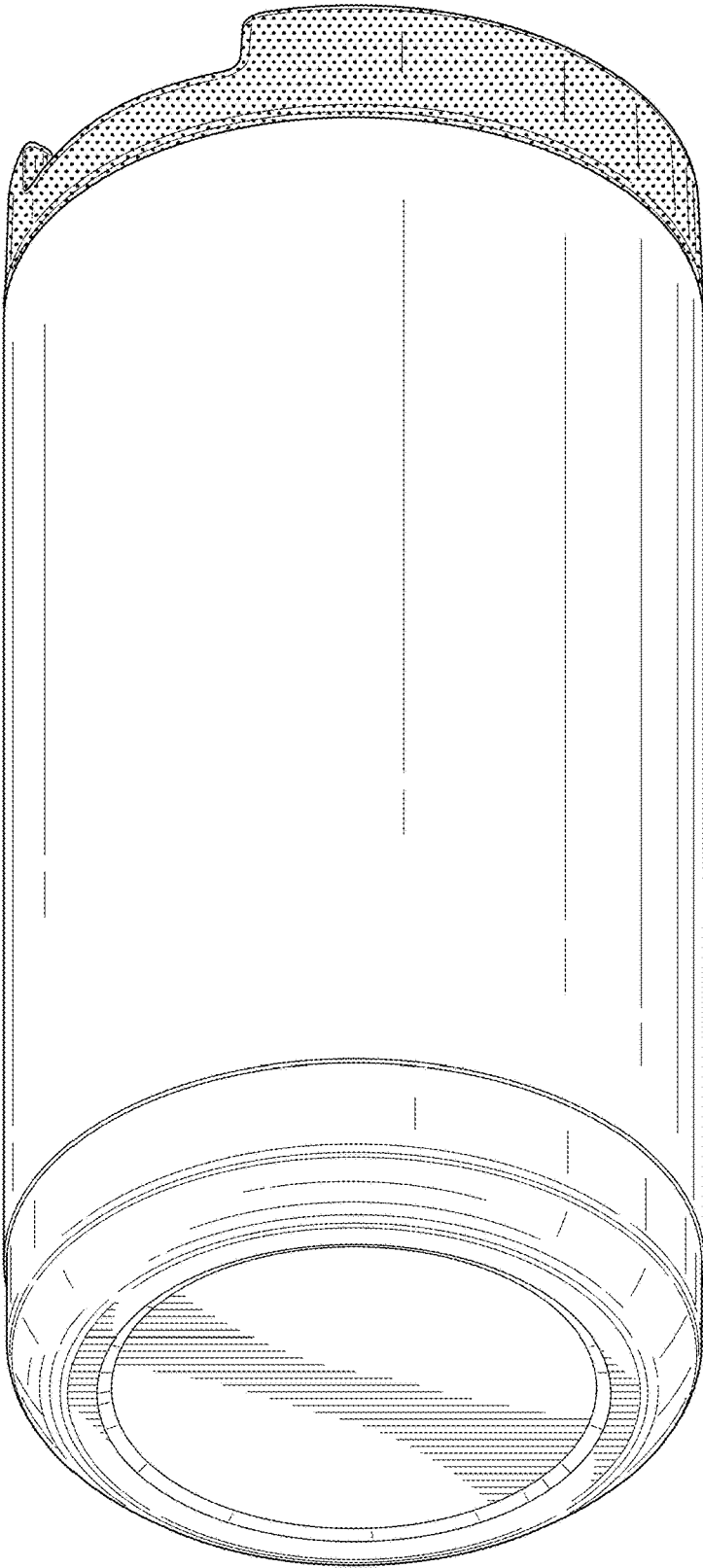


FIG. 2

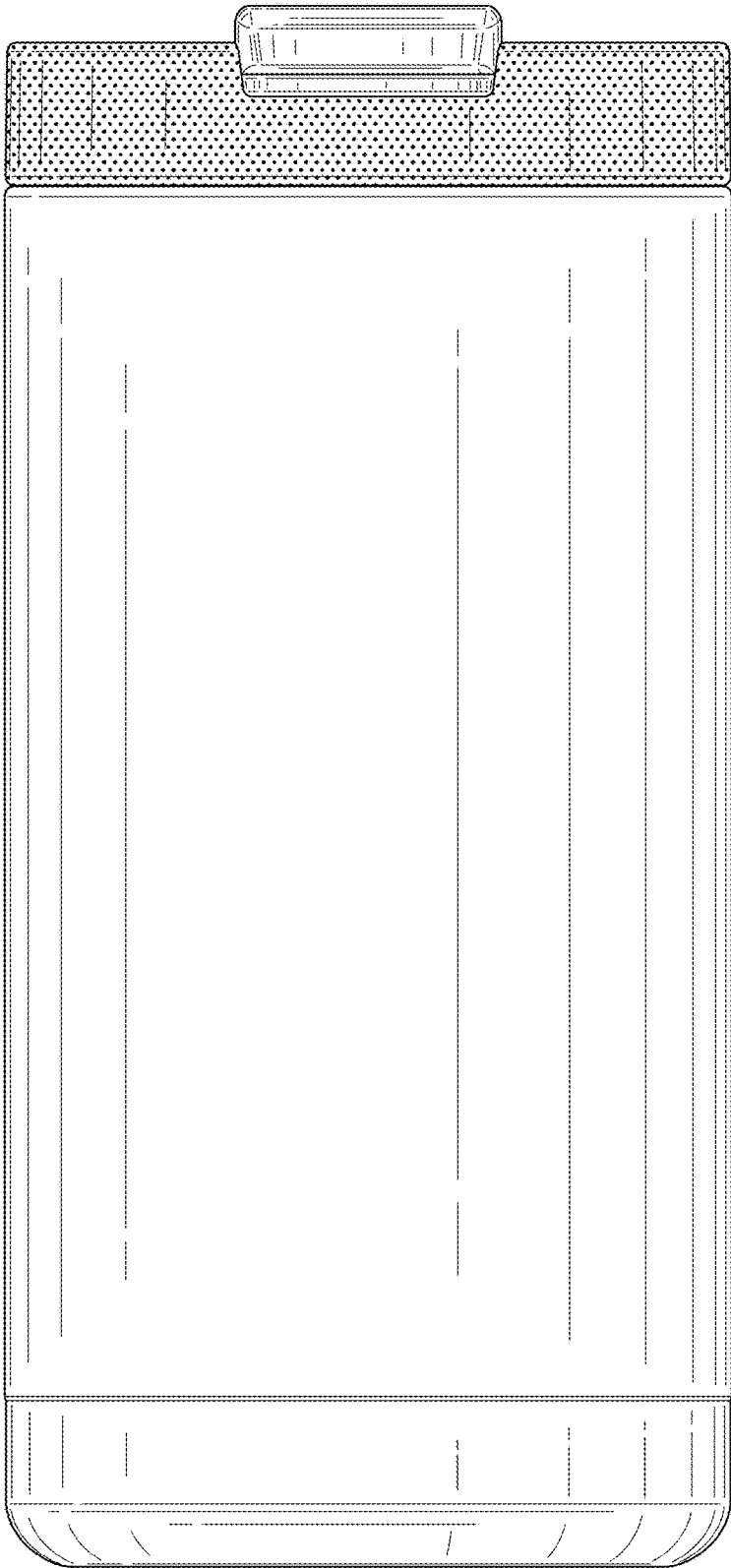


FIG. 3

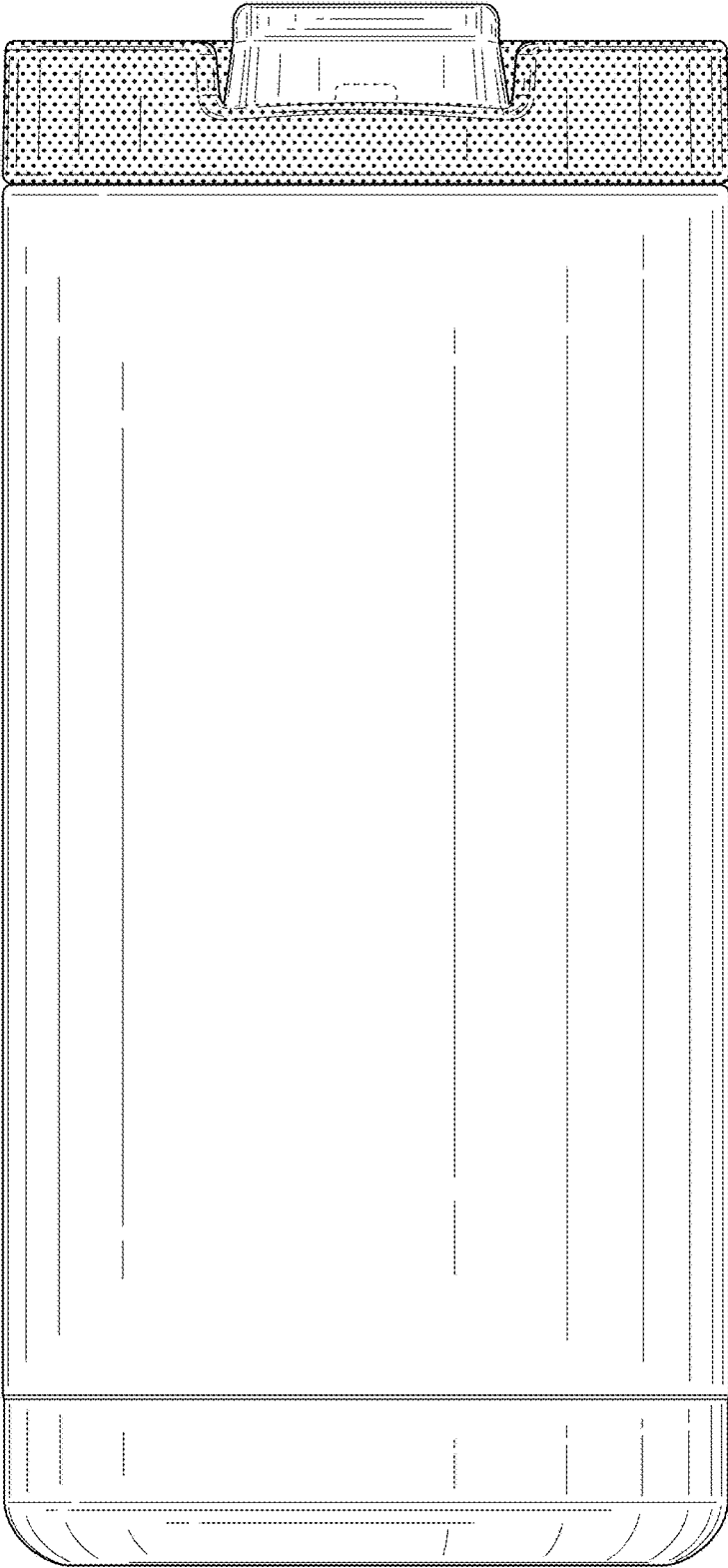


FIG. 4

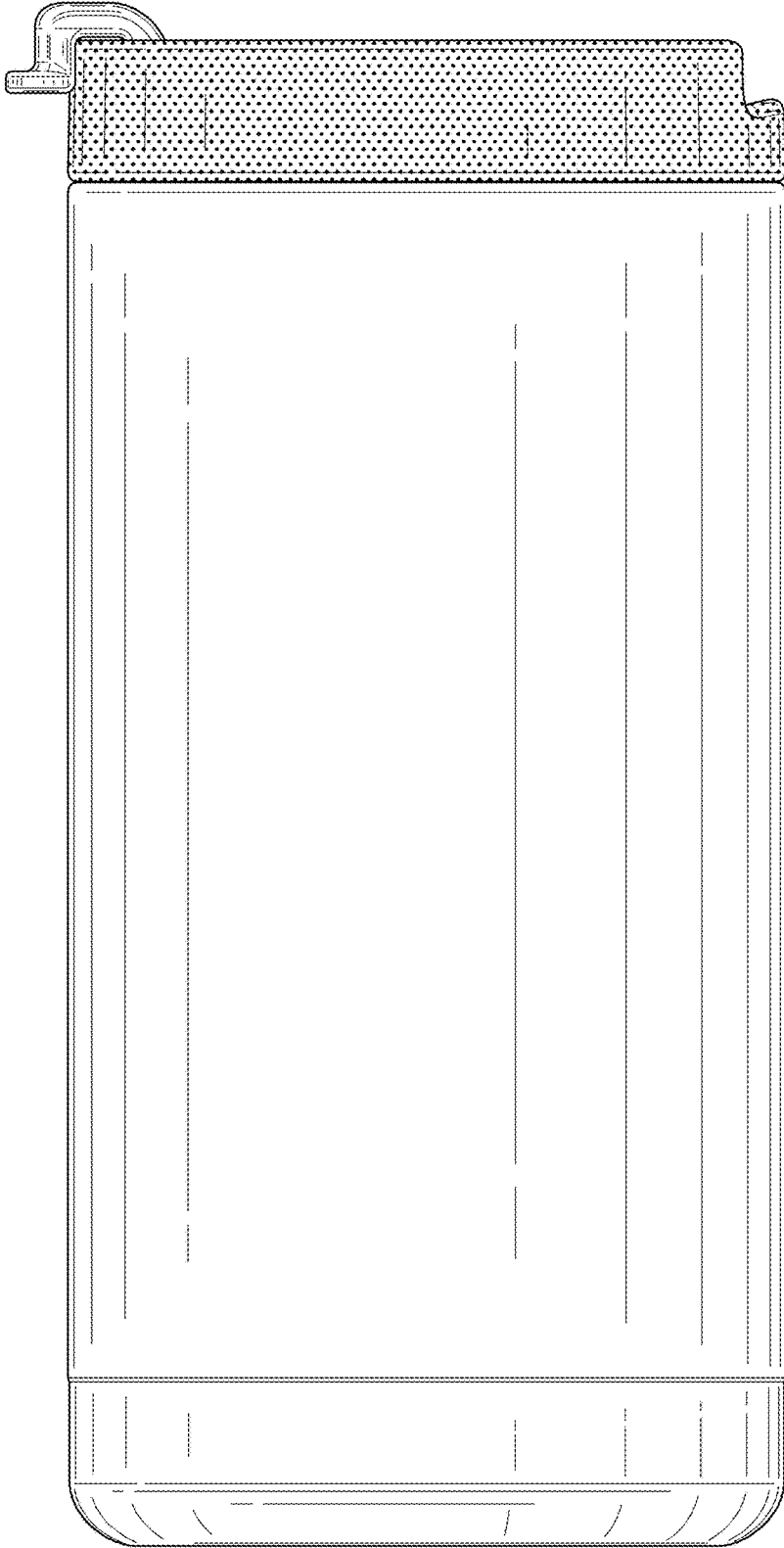


FIG. 5

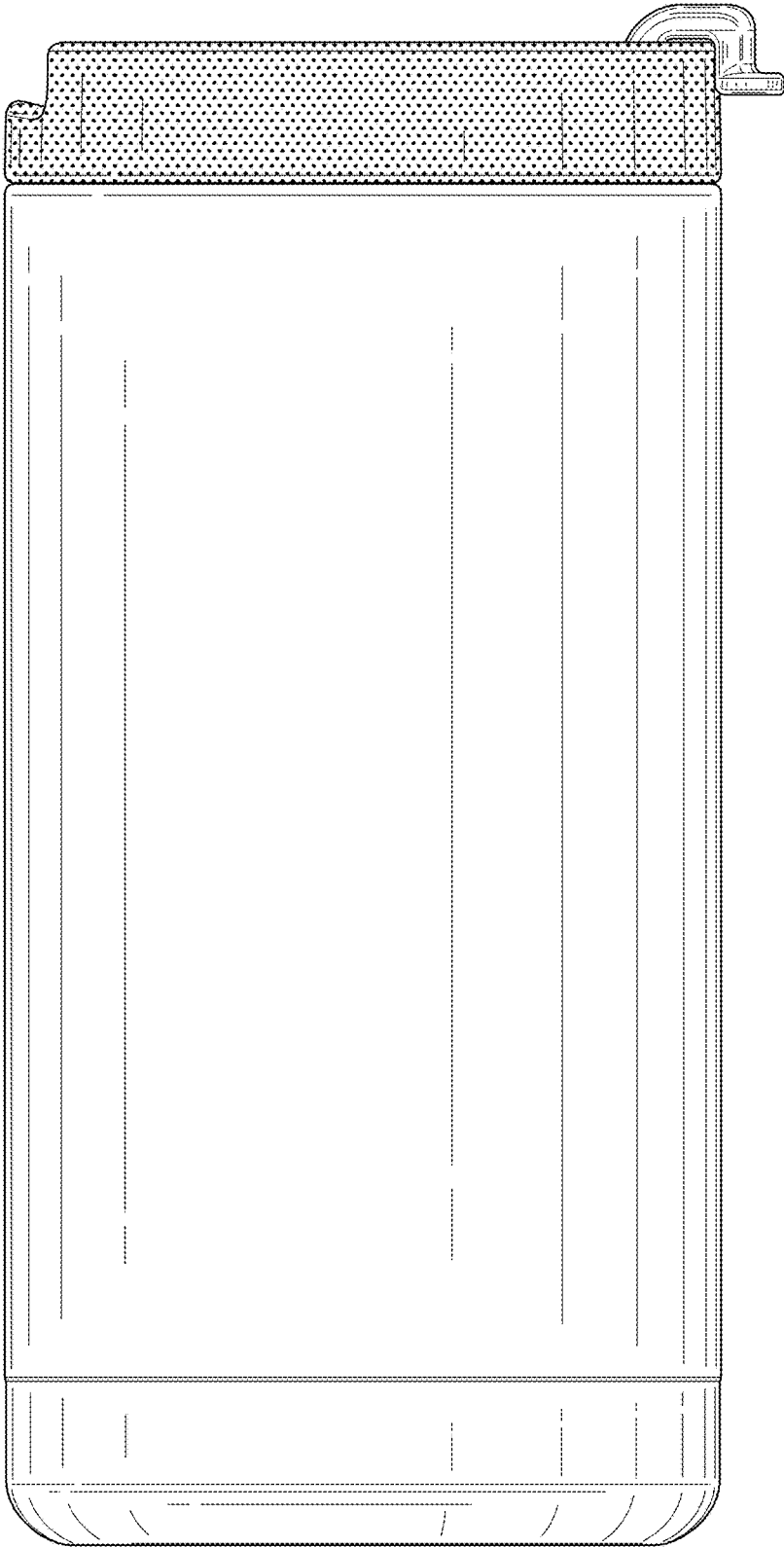
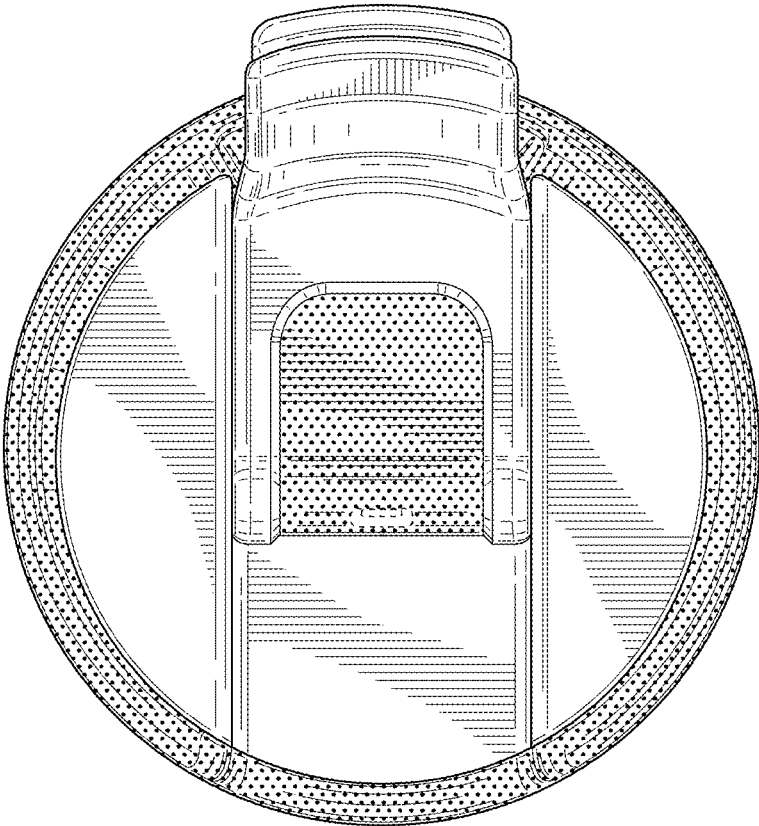


FIG. 6



**FIG. 7**

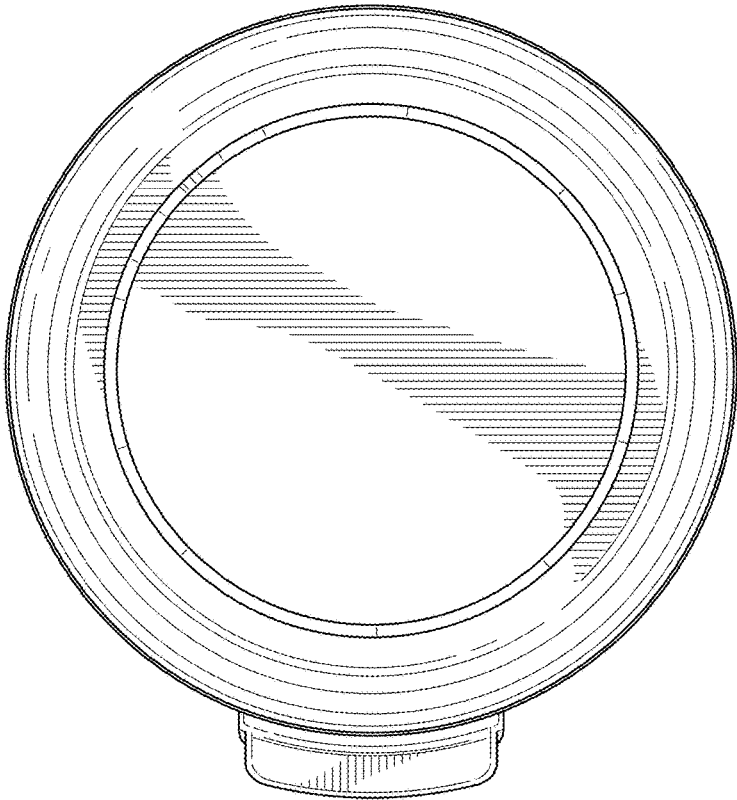


FIG. 8

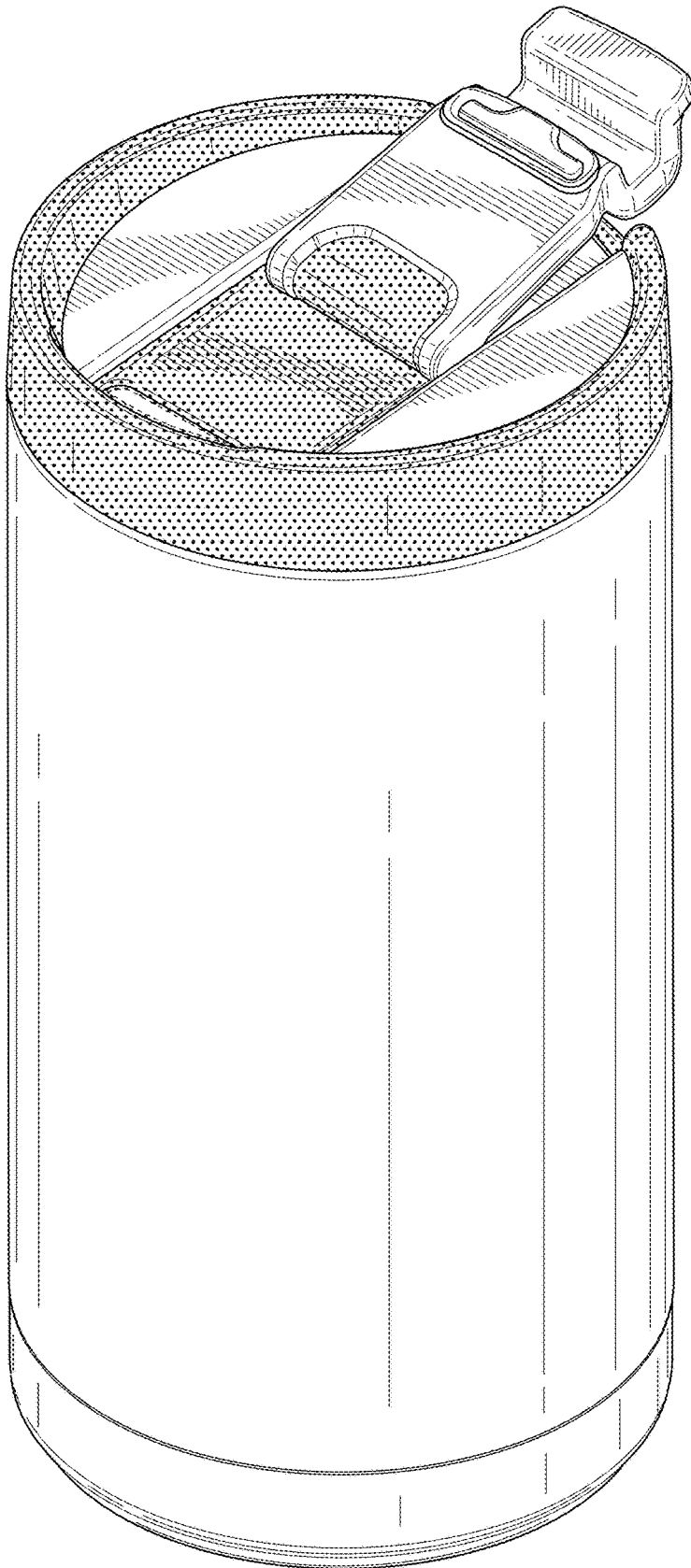


FIG. 9

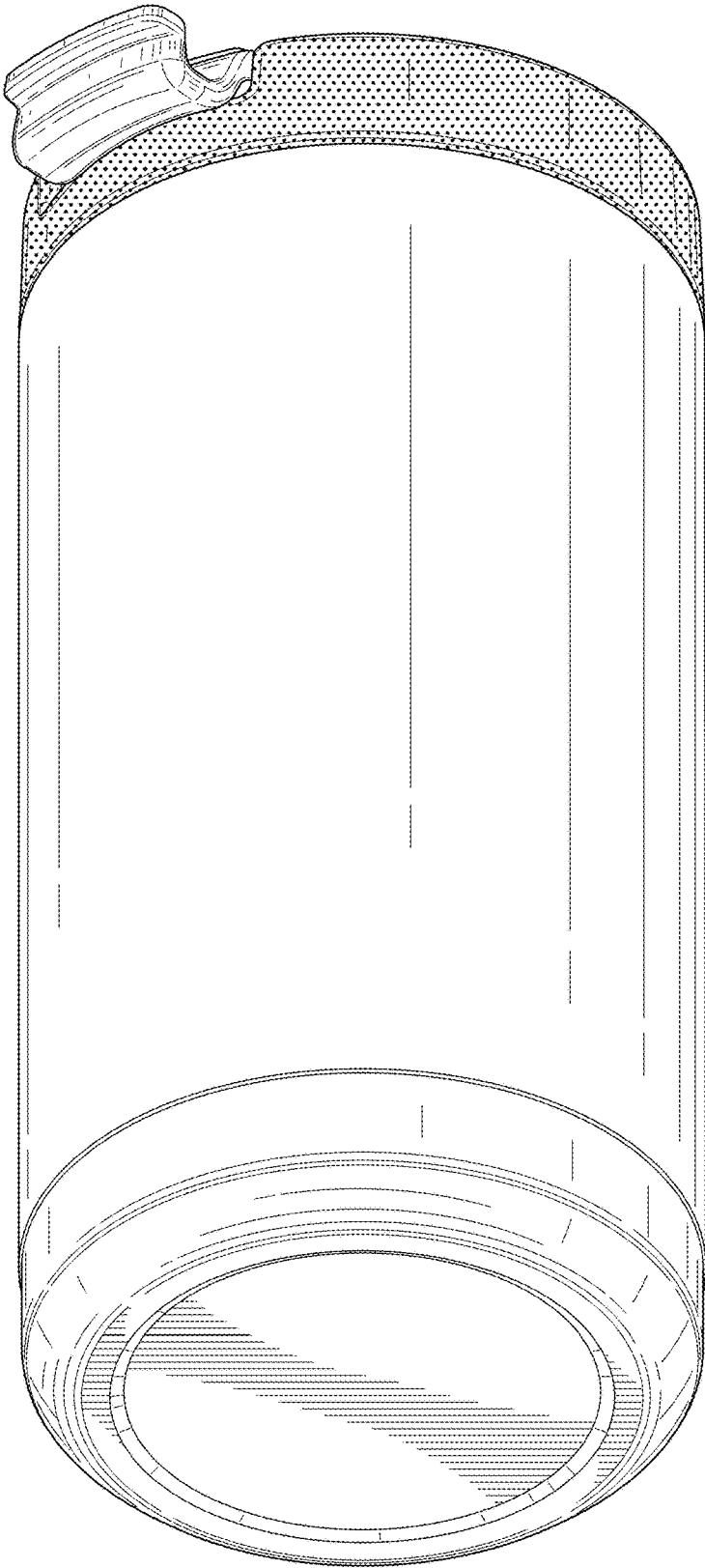


FIG. 10

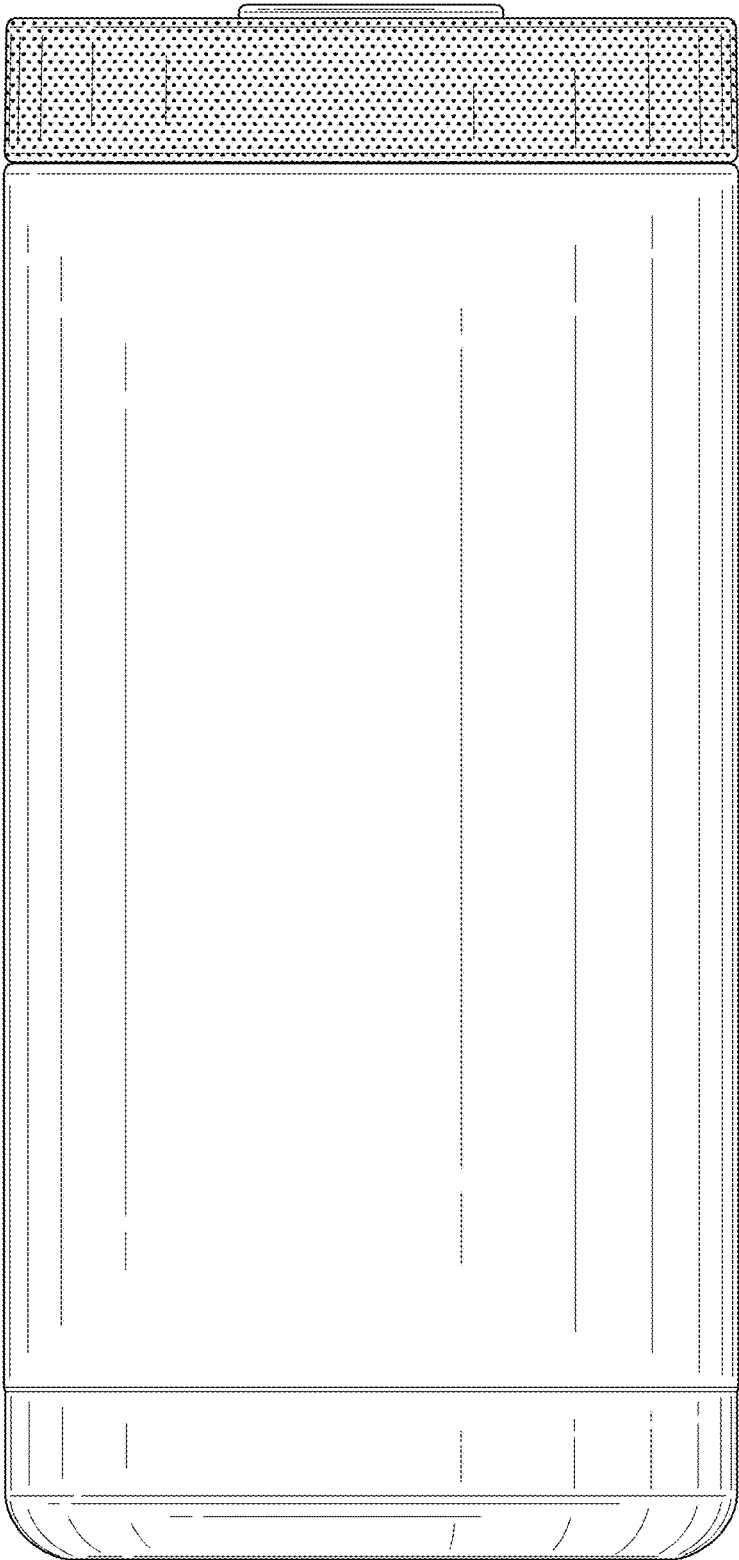


FIG. 11

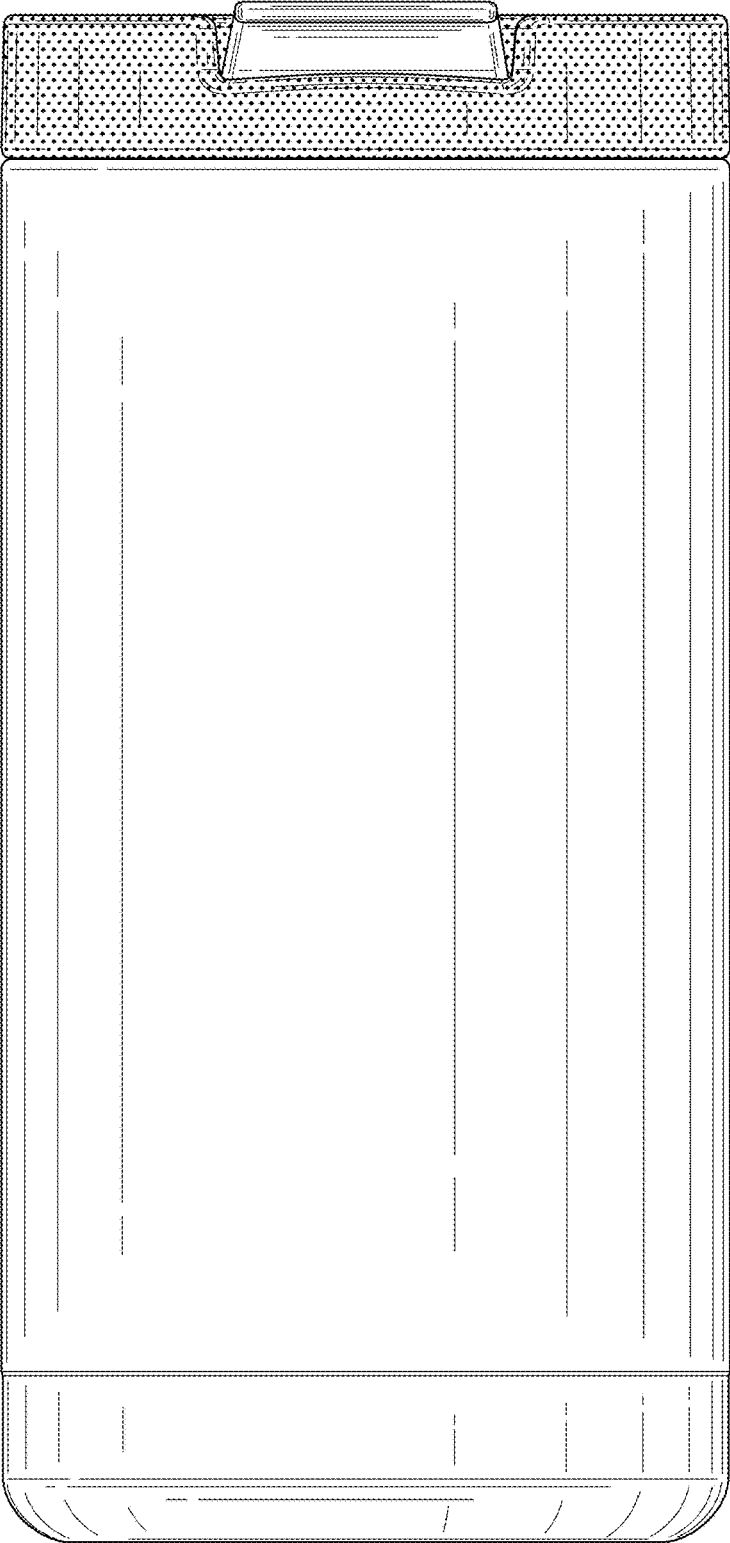


FIG. 12

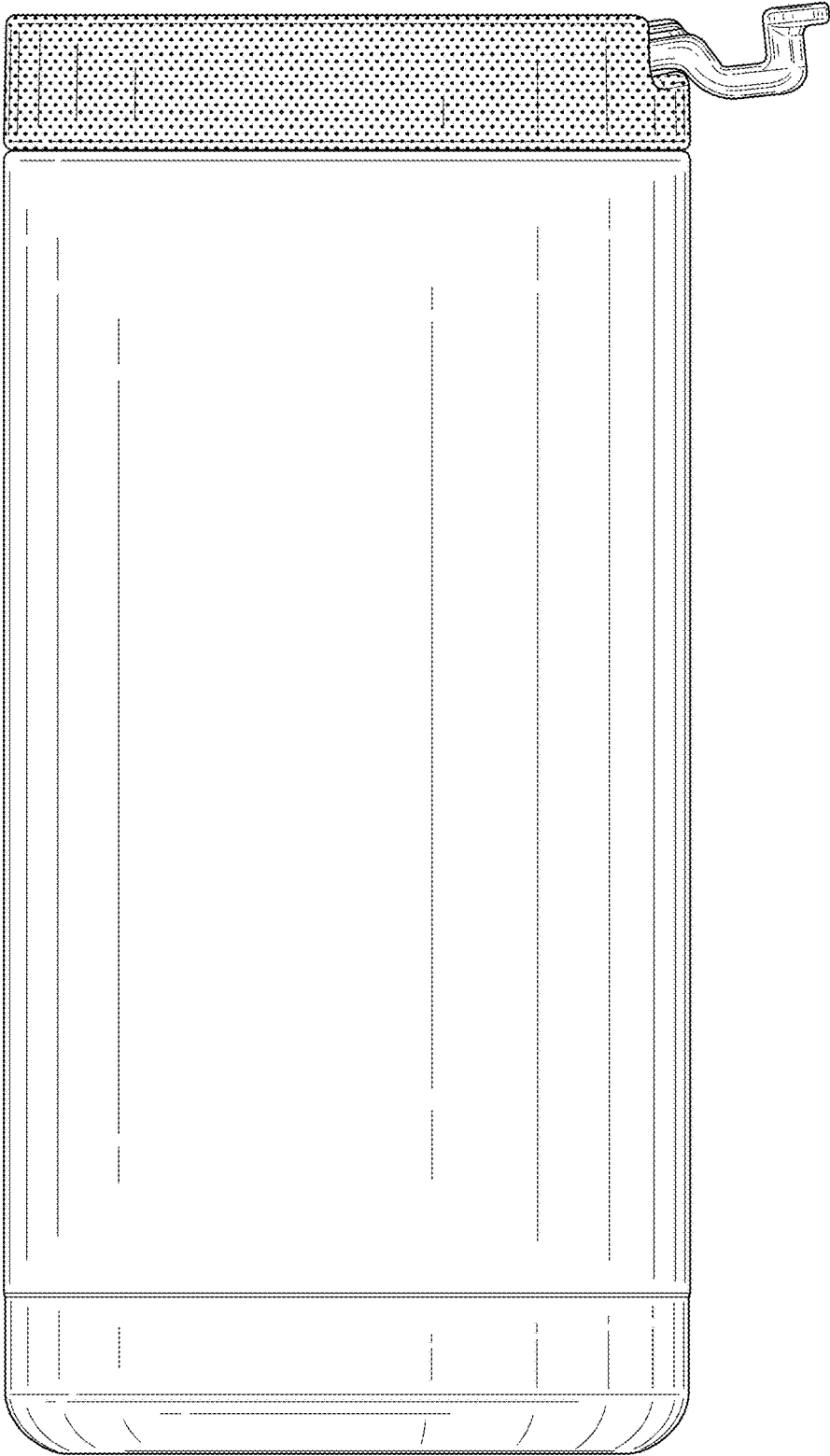


FIG. 13

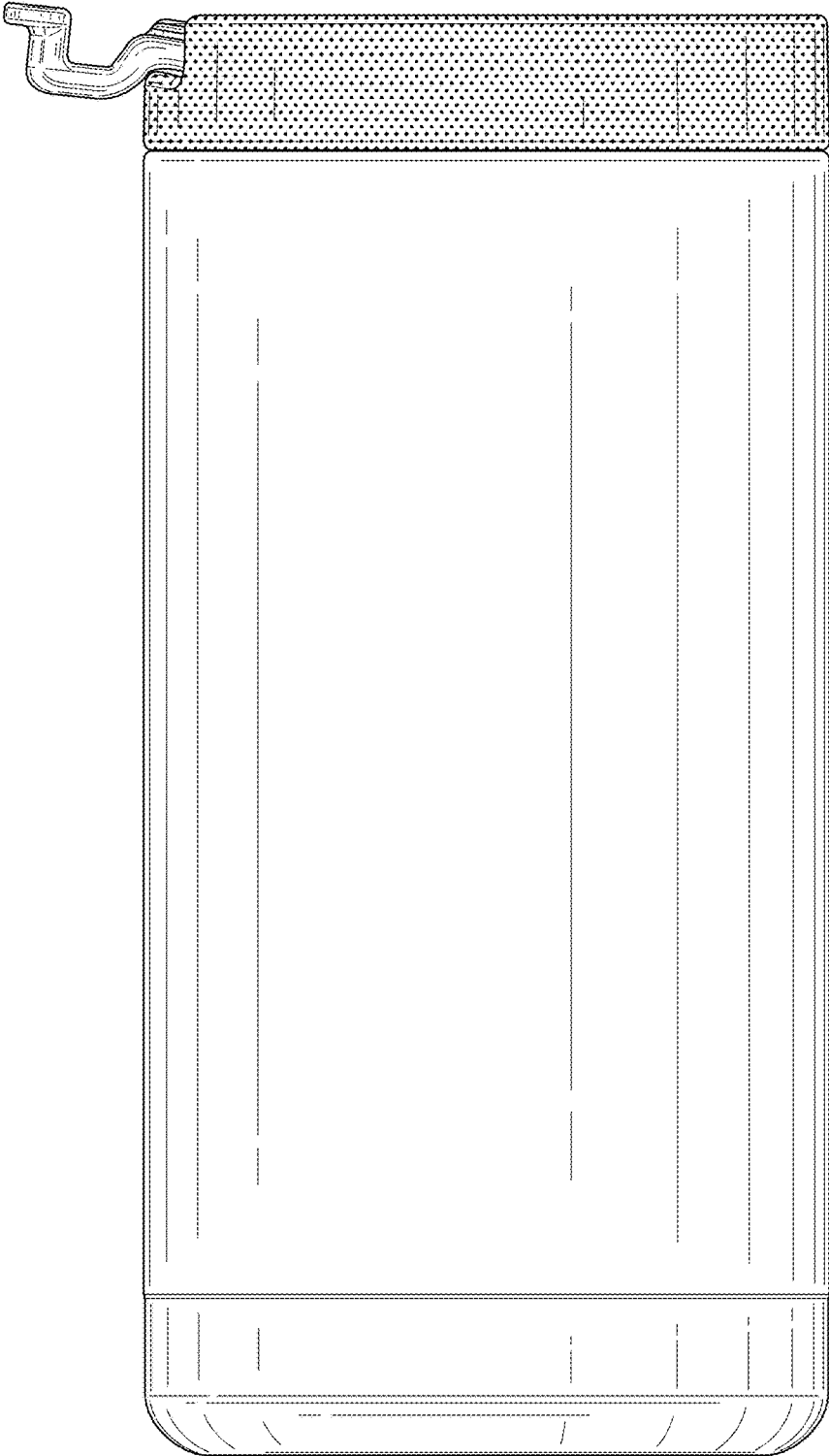


FIG. 14

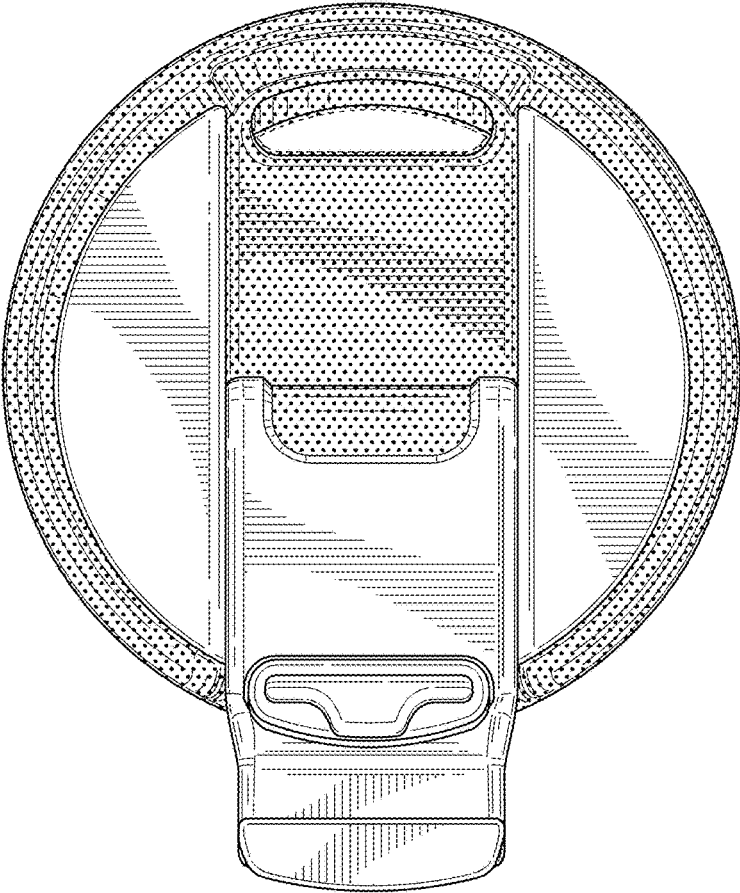


FIG. 15

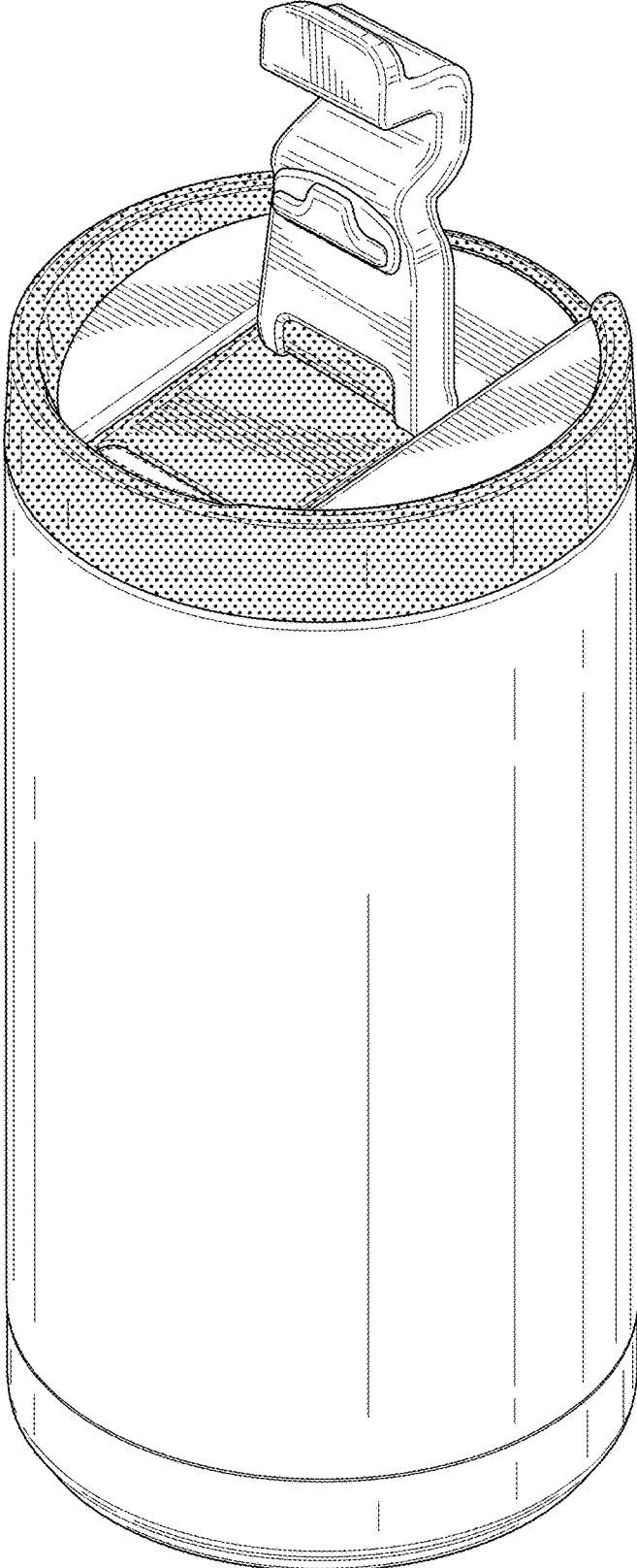


FIG. 16