



US00D753008S

(12) **United States Design Patent**
Akana et al.

(10) **Patent No.:** **US D753,008 S**

(45) **Date of Patent:** **** Apr. 5, 2016**

(54) **BAND**

(71) Applicant: **Apple Inc.**, Cupertino, CA (US)

(72) Inventors: **Jody Akana**, San Francisco, CA (US);
Bartley K. Andre, Palo Alto, CA (US);
Shota Aoyagi, San Francisco, CA (US);
Anthony Michael Ashcroft, San Francisco, CA (US);
Jeremy Bataillou, San Francisco, CA (US);
Daniel J. Coster, San Francisco, CA (US);
Daniele De Iuliis, San Francisco, CA (US);
M. Evans Hankey, San Francisco, CA (US);
Julian Hoenig, San Francisco, CA (US);
Richard P. Howarth, San Francisco, CA (US);
Jonathan P. Ive, San Francisco, CA (US);
Duncan Robert Kerr, San Francisco, CA (US);
Marc A. Newson, London (GB);
Matthew Dean Rohrbach, San Francisco, CA (US);
Peter Russell-Clarke, San Francisco, CA (US);
Benjamin Andrew Shaffer, San Jose, CA (US);
Mikael Silvano, San Francisco, CA (US);
Christopher J. Stringer, Woodside, CA (US);
Eugene Antony Whang, San Francisco, CA (US);
Rico Zörkendörfer, San Francisco, CA (US)

(73) Assignee: **Apple Inc.**, Cupertino, CA (US)

(**) Term: **14 Years**

(21) Appl. No.: **29/519,392**

(22) Filed: **Mar. 4, 2015**

Related U.S. Application Data

(63) Continuation of application No. 29/498,994, filed on Aug. 11, 2014, now Pat. No. Des. 727,198.

(51) **LOC (10) Cl.** **11-01**

(52) **U.S. Cl.**
USPC **D11/3**

(58) **Field of Classification Search**
USPC D11/1-25, 86, 87, 93, 94; D10/30-39,
D10/70, 46; 24/456, 574.1, 587.11, 587.12,
24/578.15, 265 B; 600/301; 224/164, 175;
368/276, 281, 282, 285

CPC G04B 7/1486; G04B 37/16; G04B 37/18;
A44C 5/14; A44C 5/0053; A44C 5/0069;
A44C 5/0076; A44C 5/00; A44C 5/0007;
A44C 5/0015; A44C 5/0023; A44C 5/003;
A44C 5/0061; A44C 5/12; A44C 5/147;
A44C 5/18; A44C 5/185

See application file for complete search history.

(56) **References Cited**

U.S. PATENT DOCUMENTS

2,280,490 A 4/1942 Keltie
2,397,797 A 4/1946 Curto

(Continued)

FOREIGN PATENT DOCUMENTS

DE 19513647 A1 10/1995
EP 001109706-0025 5/2009

(Continued)

OTHER PUBLICATIONS

[Online] <http://ecx.images-amazon.com/images/I/41XGUSNQEyL.jpg>. Retrieved Aug. 18, 2015.*

(Continued)

Primary Examiner — Cathron Brooks

Assistant Examiner — Melanie Pellegrini

(74) *Attorney, Agent, or Firm* — Sterne, Kessler, Goldstein & Fox P.L.L.C.

(57) **CLAIM**

The ornamental design for a band, as shown and described.

DESCRIPTION

FIG. 1 is a bottom front perspective view of a band showing our new design;

FIG. 2 is a bottom rear perspective view thereof;

FIG. 3 is a front view thereof;

FIG. 4 is a rear view thereof;

FIG. 5 is a left side view thereof;

FIG. 6 is a right side view thereof;

FIG. 7 is a top view thereof;

FIG. 8 is a bottom view thereof; and,

FIG. 9 is a perspective view thereof in an environment in which it may be used.

The broken lines in the Figures show portions of the band and environment that form no part of the claimed design.

1 Claim, 6 Drawing Sheets



(56)

References Cited

OTHER PUBLICATIONS

U.S. PATENT DOCUMENTS

3,030,686	A	4/1962	Burkhardt	
3,665,565	A	5/1972	Kruger	
3,675,284	A	7/1972	Rieth	
D317,413	S *	6/1991	Veronesi	D10/32
D320,356	S	10/1991	Boyer et al.	
5,363,351	A	11/1994	Carney	
5,574,701	A	11/1996	Harilela	
D377,613	S *	1/1997	Consolo	D10/32
D377,914	S	2/1997	Riley	
D379,327	S	5/1997	Navera	
D379,775	S	6/1997	Gazzola	
D383,985	S	9/1997	Davenport	
D386,980	S	12/1997	Houlihan	
5,886,669	A	3/1999	Kita	
D409,504	S *	5/1999	Collier	D10/34
D440,901	S	4/2001	Bruce et al.	
6,219,303	B1	4/2001	Morohoshi et al.	
D441,680	S	5/2001	Bruce et al.	
6,238,083	B1	5/2001	Hirano et al.	
D455,662	S *	4/2002	Johnston et al.	D10/32
D473,818	S	4/2003	Salvisberg	
D494,098	S	8/2004	Cohen	
6,801,476	B2	10/2004	Gilmour	
D535,205	S *	1/2007	Frederick et al.	D10/104.1
7,275,667	B2	10/2007	Bertucci	
D564,904	S	3/2008	Leung	
D622,164	S	8/2010	Mikkelsen	
D631,373	S	1/2011	Mikkelsen	
8,601,784	B2	12/2013	Kaltenrieder	
8,613,544	B2	12/2013	Kitahara et al.	
D715,674	S	10/2014	Squires	
D719,467	S	12/2014	Bradbury	
D720,249	S	12/2014	Park et al.	
D724,469	S	3/2015	Akana et al.	
D727,197	S	4/2015	Akana et al.	
D727,198	S	4/2015	Akana et al.	
D727,199	S	4/2015	Akana et al.	
D727,787	S	4/2015	Akana et al.	
D732,022	S *	6/2015	Song	D14/344
2001/0017663	A1	8/2001	Yamaguchi et al.	
2002/0051075	A1	5/2002	Yamaguchi et al.	
2007/0070823	A1 *	3/2007	Sima	368/282
2014/0096345	A1	4/2014	Tschumi	
2014/0098649	A1	4/2014	Tschumi	

FOREIGN PATENT DOCUMENTS

EP	2636328	A1	9/2013
GB	618917	A	3/1949
GB	1056574		8/1989
GB	2047767		9/1995
GB	2049316		12/1995
GB	2082277		6/1999
JP	D1126907		11/2001
JP	D1337795		8/2008
JP	D1423962		9/2011
JP	D1433115		2/2012
JP	D1448029		8/2012
JP	D1462747		2/2013
WO	DM/012262-001		1/1989
WO	DM/049450-002		12/1999
WO	DM/079044-003		9/2012
WO	2013182397	A1	12/2013

etsy.com, "1 Set Silver End Cap Clasp—Findings Large Toggle Clasp End Caps Buckle Connector with Five Inside Loops for Jewelry Making 26mm," <<http://www.etsy.com/listing/101269004/1-set-silver-end-cap-clasp-findings?ref=market>>, Listed on Aug. 29, 2014, accessed Oct. 9, 2014.

"Field Ops Watch Band Kit" <<http://www.511tactical.com/field-ops-watch-band-kit.html>>, accessed Nov. 25, 2014.

Hiemstra, Graham, "Worn & Wound Model 1 Horween Watch Strap," <<http://www.coolhunting.com/style/worn-wound-model-1-horween-watch-strap>>, dated Aug. 27, 2013, accessed Nov. 25, 2014.

Hilbourne, Jason, "Wide Body: straps for Pebble," <<https://www.kickstarter.com/projects/1171859847/wide-body-straps-for-pebble>>, Listed Apr. 2, 2013, accessed Nov. 25, 2014.

Metawatch, "Frame—Black (MW3005)," <<http://meta.watch/collections/smartwatch-all/products/frame-ss-black-leather>>, accessed Dec. 15, 2014.

[Online] http://a.abcnews.com/images/Business/HT_gold_apple_watch_jef_140909_4x3_992.jpg, Retrieved on Feb. 4, 2015, 1 page.

Pebble, "Pebble Smartwatch," [getpebble.com](http://getpebble.com/checkout), <<https://getpebble.com/checkout>>, accessed Dec. 15, 2014.

"Timex Men's Q7B808 Ironman Triathlon 30-Lap Resin 16mm Replacement Watchband" <http://www.amazon.com/Timex-Ironman-Triathlon-Replacement-Watchband/dp/B0030PZ5D0/ref=sr_1_1?s=apparel&ie=UTF8&qid=1416701895&sr=1-1&keywords=Timex+Men%27s+Q7B808+Ironman+Triathlon+30-Lap+Resin+16mm+Replacement+Watchband>, accessed Nov. 25, 2014.

Velazco, Chris, "ASUS ZenWatch review: subtle and stylish, with a few shortcomings," Engadget.com, <<http://www.engadget.com/2014/12/11/asus-zenwatch-review/>>, dated Dec. 11, 2014, accessed Dec. 15, 2014.

U.S. Appl. No. 29/498,987, filed Aug. 11, 2014.

U.S. Appl. No. 29/498,996, filed Aug. 11, 2014.

U.S. Appl. No. 29/499,052, filed Aug. 11, 2014.

U.S. Appl. No. 29/499,061, filed Aug. 11, 2014.

U.S. Appl. No. 29/499,067, filed Aug. 11, 2014.

U.S. Appl. No. 29/499,068, filed Aug. 11, 2014.

U.S. Appl. No. 29/499,069, filed Aug. 11, 2014.

U.S. Appl. No. 29/499,080, filed Aug. 11, 2014.

U.S. Appl. No. 29/499,081, filed Aug. 11, 2014.

U.S. Appl. No. 29/499,082, filed Aug. 11, 2014.

U.S. Appl. No. 29/499,088, filed Aug. 11, 2014.

U.S. Appl. No. 29/499,090, filed Aug. 11, 2014.

U.S. Appl. No. 29/499,091, filed Aug. 11, 2014.

U.S. Appl. No. 29/501,152, filed Sep. 2, 2014.

U.S. Appl. No. 29/501,624, filed Sep. 5, 2014.

U.S. Appl. No. 29/501,720, filed Sep. 8, 2014.

U.S. Appl. No. 29/501,722, filed Sep. 8, 2014.

U.S. Appl. No. 29/501,723, filed Sep. 8, 2014.

U.S. Appl. No. 29/501,733, filed Sep. 8, 2014.

U.S. Appl. No. 29/501,737, filed Sep. 8, 2014.

U.S. Appl. No. 29/501,746, filed Sep. 8, 2014.

U.S. Appl. No. 29/501,759, filed Sep. 8, 2014.

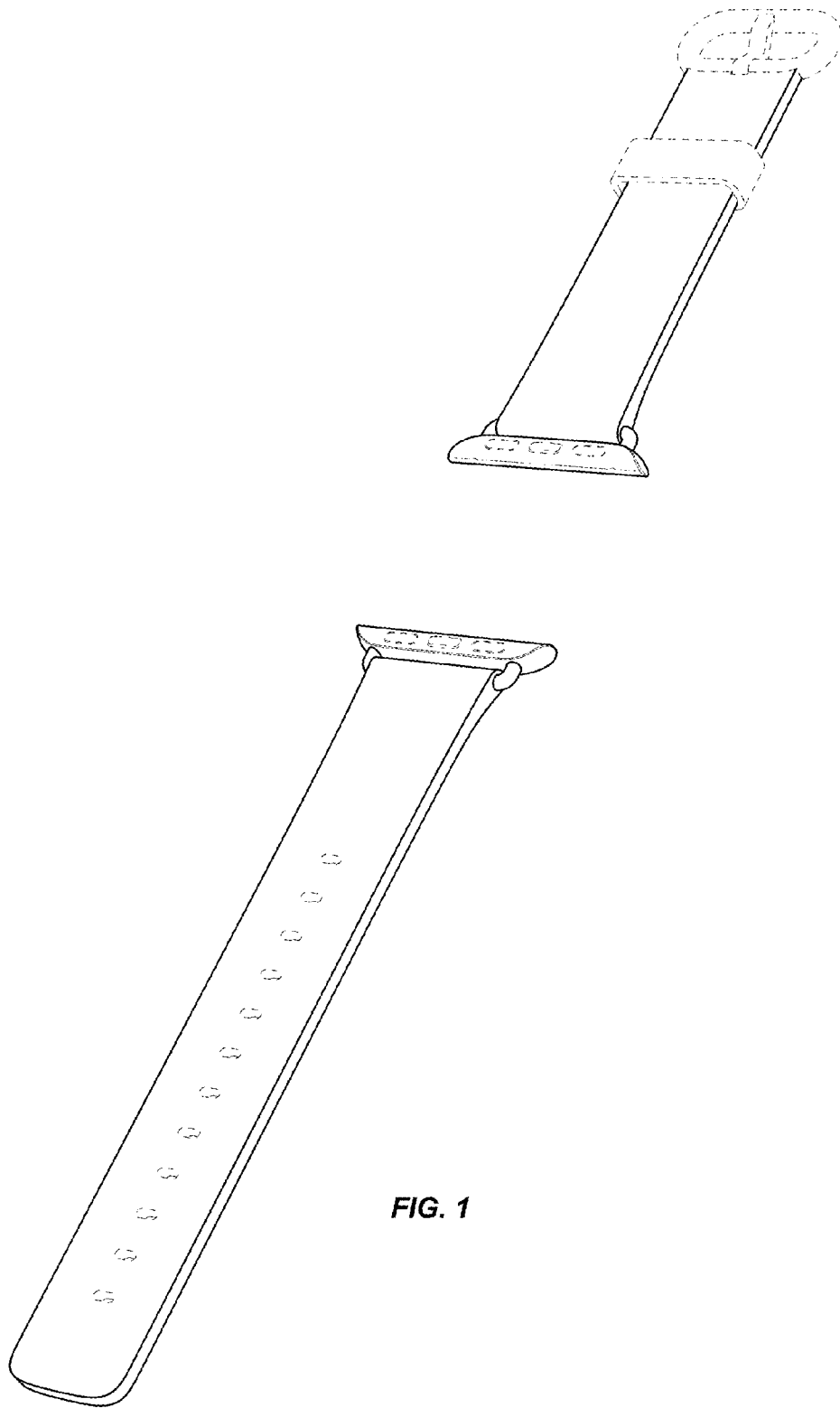
U.S. Appl. No. 29/501,760, filed Sep. 8, 2014.

U.S. Appl. No. 29/501,766, filed Sep. 8, 2014.

U.S. Appl. No. 29/501,772, filed Sep. 8, 2014.

U.S. Appl. No. 29/501,775, filed Sep. 8, 2014.

* cited by examiner



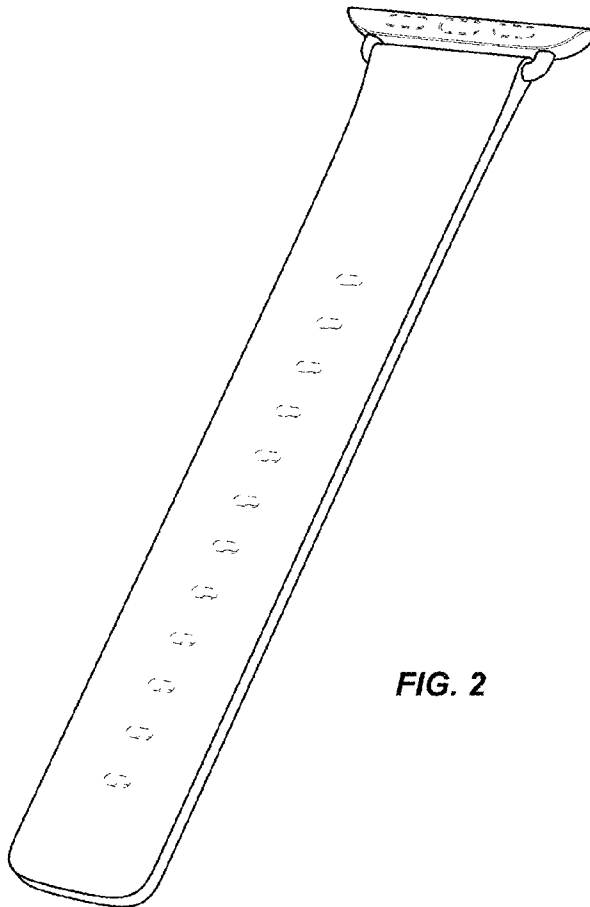
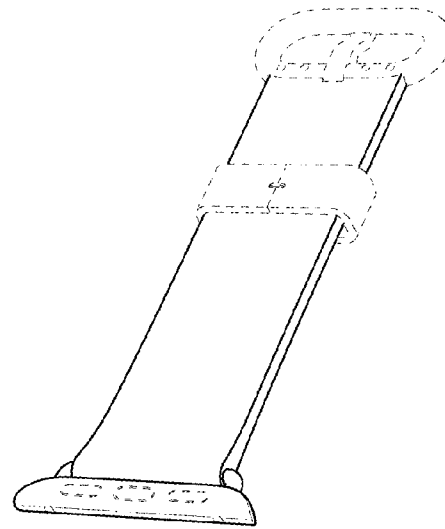


FIG. 2

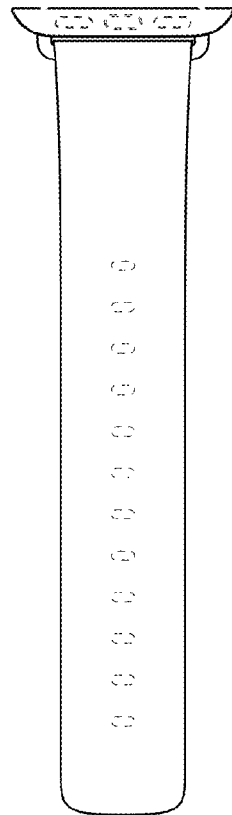
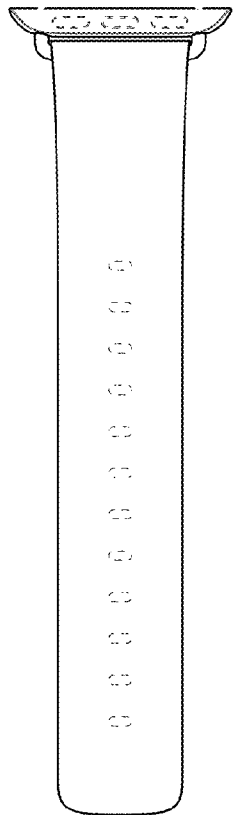
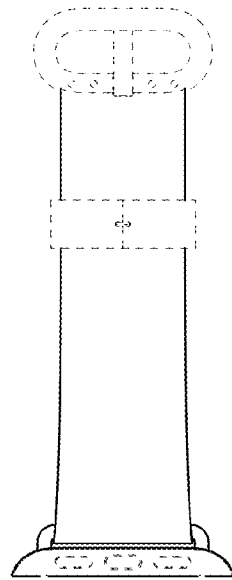
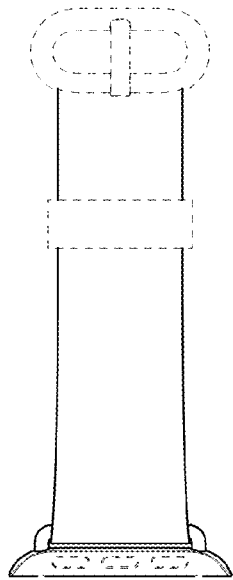


FIG. 3

FIG. 4

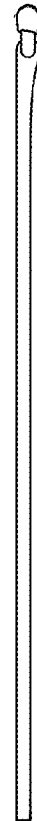
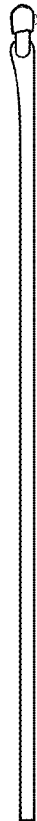


FIG. 5

FIG. 6



FIG. 7

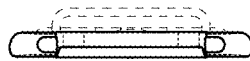


FIG. 8

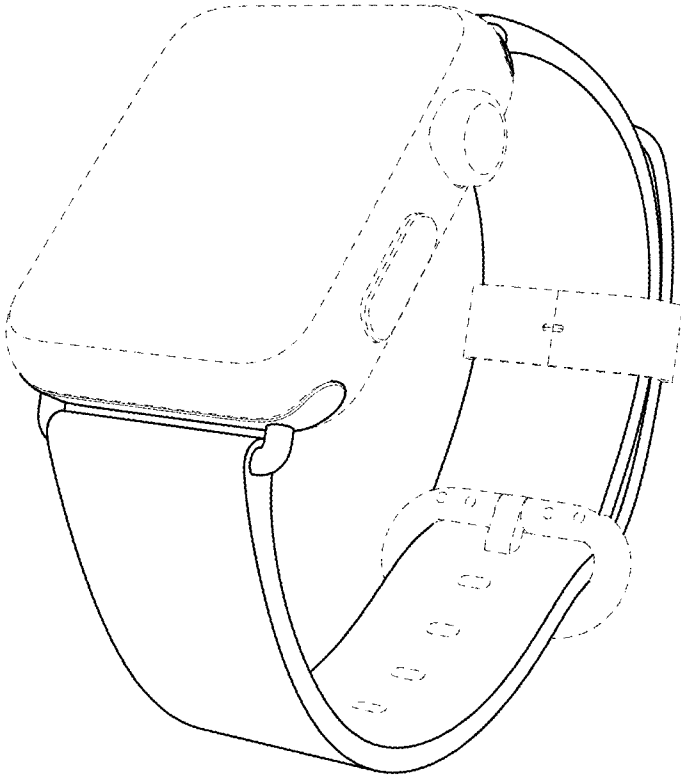


FIG. 9