



US00D468522S

(12) **United States Design Patent**
Wilson

(10) **Patent No.:** US D468,522 S

(45) **Date of Patent:** ** Jan. 14, 2003

- (54) **PORTION OF A SHOE UPPER**
- (75) Inventor: **Ralph Davis Wilson**, Torrance, CA (US)
- (73) Assignee: **Skechers U.S.A., Inc., II**, Manhattan Beach, CA (US)
- (**) Term: **14 Years**
- (21) Appl. No.: **29/165,756**
- (22) Filed: **Aug. 16, 2002**

D377,410 S	1/1997	Crowley	
D379,557 S	6/1997	Pratt	
D380,081 S	6/1997	Gerber	
D385,998 S	11/1997	Clegg	
D386,604 S	11/1997	Cass	
D388,244 S	12/1997	Serna	
5,701,688 A	12/1997	Crowley	
D394,742 S	6/1998	Gaudio	
D397,543 S	9/1998	Silvers	
D397,862 S	9/1998	Aird	
D400,700 S	11/1998	Aird	
D401,755 S	12/1998	Zinovieff	
D404,193 S	1/1999	Tong	
D410,691 S	* 6/1999	Boyer	D2/907
D415,882 S	11/1999	McDowell	
D421,835 S	3/2000	Akhidime	
D422,128 S	4/2000	Adler	
D422,403 S	4/2000	Heaslet	
D423,208 S	4/2000	Cass	
D424,290 S	5/2000	Lamprou	
D426,372 S	6/2000	Price	
D431,348 S	* 10/2000	Matis et al.	D2/969
D431,713 S	* 10/2000	Wilson	D2/973

Related U.S. Application Data

- (62) Division of application No. 29/160,051, filed on May 3, 2002.
- (51) **LOC (7) Cl.** **02-99**
- (52) **U.S. Cl.** **D2/975; D2/972**
- (58) **Field of Search** D2/896, 902, 907, D2/943, 946, 969, 972, 973, 975; 36/45, 50.1, 51, 77 M, 77 R, 83, 88, 113, 114, 126-130

(List continued on next page.)

(56) **References Cited**

U.S. PATENT DOCUMENTS

3,626,610 A	12/1971	Dassler	
D266,455 S	* 10/1982	Famolare, Jr.	D2/969
4,377,913 A	3/1983	Stone	
4,616,432 A	10/1986	Bunch	
4,733,439 A	3/1988	Gentry	
D296,147 S	* 6/1988	McCrea	D2/969
4,811,497 A	3/1989	Merino Ciudad	
D322,878 S	* 1/1992	Hatfield	D2/969
D324,939 S	3/1992	Hatfield	
D332,001 S	12/1992	Bayer	
5,307,569 A	5/1994	Melcher	
D351,723 S	10/1994	Bevier	
D357,794 S	5/1995	Avar	
D362,333 S	9/1995	Teague	
D370,554 S	6/1996	Greene	
D370,994 S	6/1996	Avar	
D373,460 S	9/1996	Crowley	
D375,194 S	11/1996	Teague	

Primary Examiner—Dominic Simone
(74) *Attorney, Agent, or Firm*—Marshall A. Lerner; Bradford E. Mattes; Kleinberg & Lerner, LLP

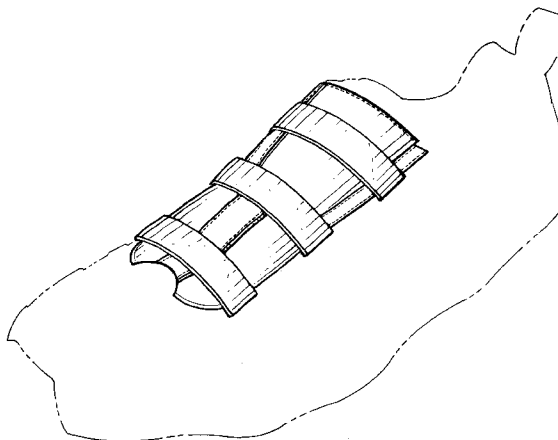
(57) **CLAIM**

The ornamental design for a portion of a shoe upper, as shown and described.

DESCRIPTION

FIG. 1 is a perspective view of the portion of a shoe upper showing my new design;
FIG. 2 is a top plan view thereof;
FIG. 3 is a left side elevational view thereof;
FIG. 4 is a right side elevational view thereof; and,
FIG. 5 is a front elevational view thereof.
Broken lines in the figures are for illustrative purposes only and form no part of the claimed design.

1 Claim, 3 Drawing Sheets



U.S. PATENT DOCUMENTS

D432,292 S	10/2000	Kim	D446,000 S	8/2001	Price	
D432,776 S	10/2000	McDowell	D447,860 S	* 9/2001	Matis et al.	D2/969
D435,162 S	12/2000	Wilson	D448,550 S	10/2001	Yang	
D439,734 S	4/2001	Wilson	D451,269 S	12/2001	Burt	
D444,622 S	7/2001	Wilson	D451,271 S	12/2001	Gerber	
D444,623 S	7/2001	Wilson	D452,070 S	12/2001	Holmes	
D444,624 S	7/2001	Wilson	D455,250 S	4/2002	Wilson	
D444,937 S	7/2001	Wilson	D458,741 S	* 6/2002	Rogers	D2/969

* cited by examiner

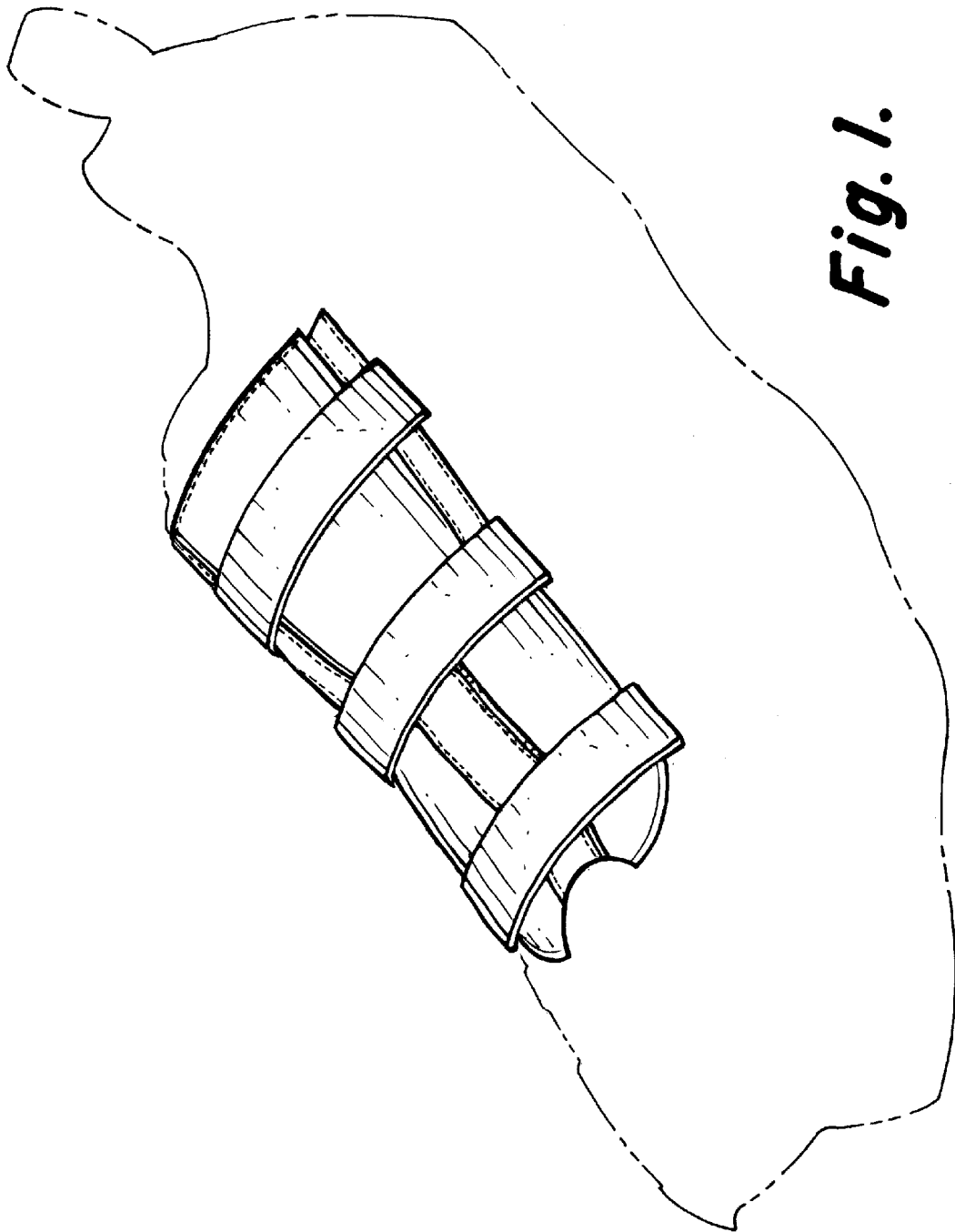


Fig. 1.

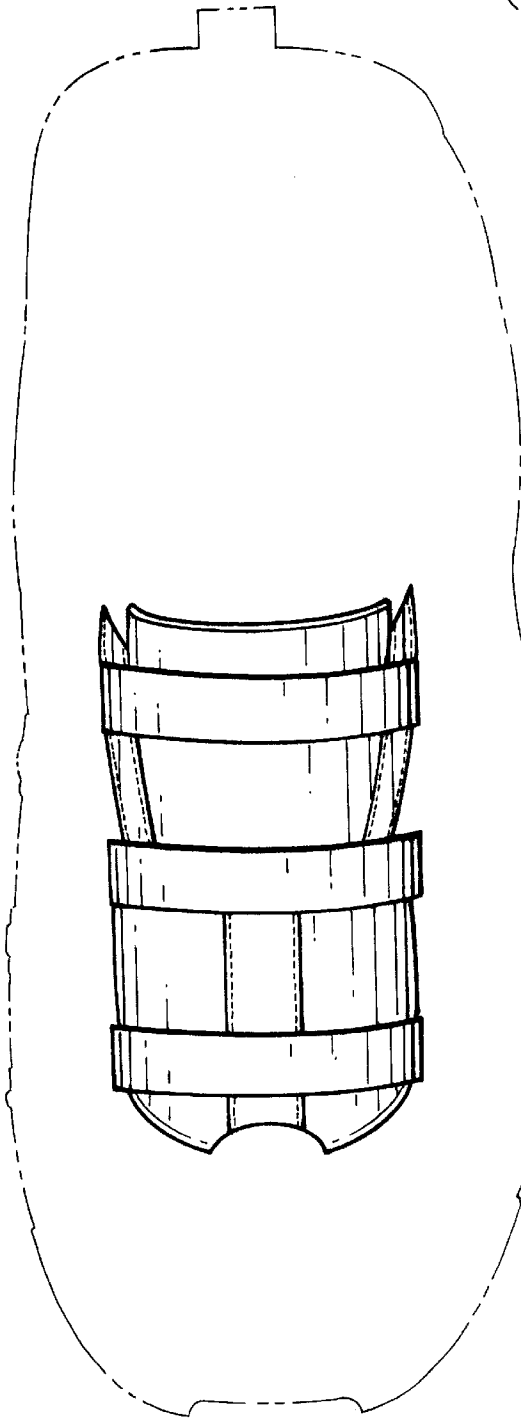


Fig. 2.

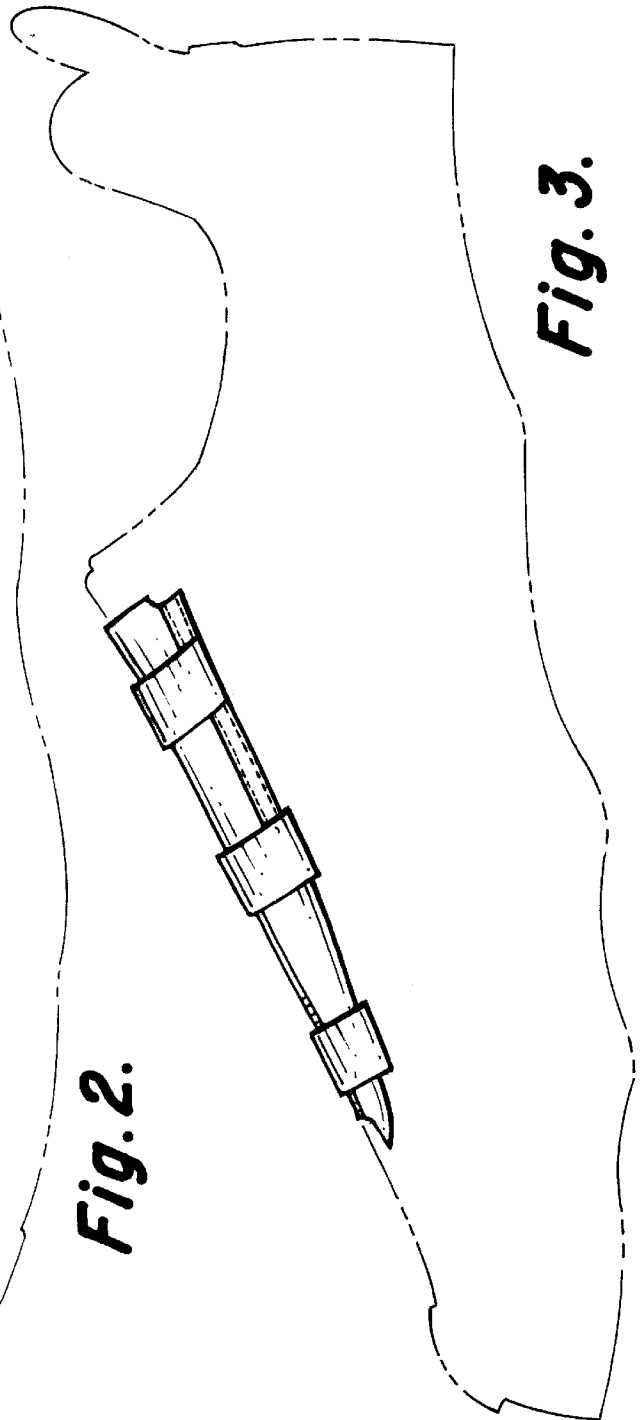


Fig. 3.

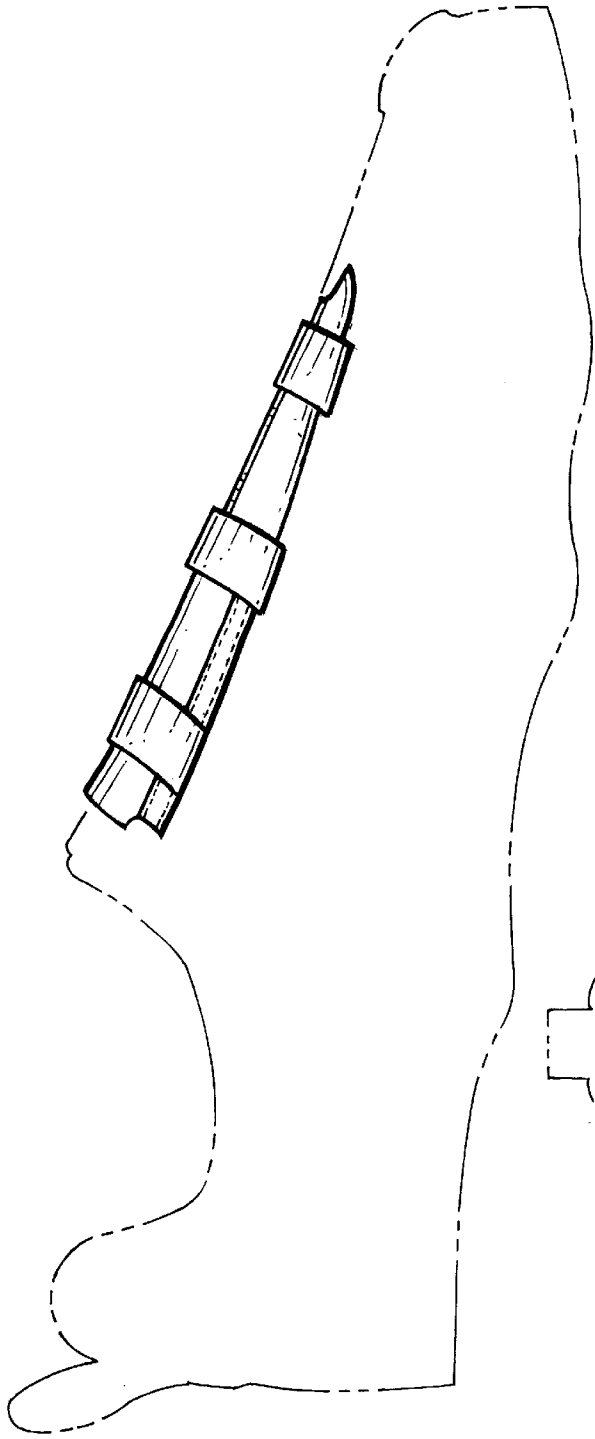


Fig. 4.

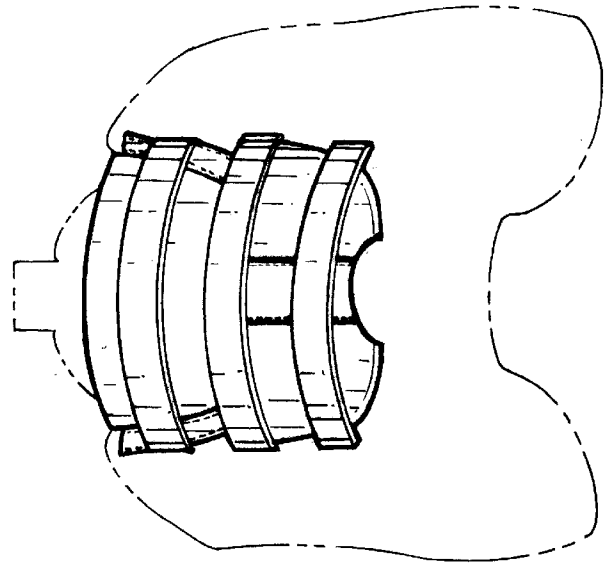


Fig. 5.