



- (51) International Patent Classification: A47K 10/42 (2006.01)
- (21) International Application Number: PCT/US2012/023795
- (22) International Filing Date: 3 February 2012 (03.02.2012)
- (25) Filing Language: English
- (26) Publication Language: English
- (30) Priority Data:
61/439,304 3 February 2011 (03.02.2011) US
61/479,298 26 April 2011 (26.04.2011) US
61/541,995 30 September 2011 (30.09.2011) US
61/578,874 21 December 2011 (21.12.2011) US
- (71) Applicant (for all designated States except US): NAPABE, LLC [US/US]; 23679 Calabasas Road, Suite 943, Calabasas, California 91302 (US).
- (72) Inventor; and
- (75) Inventor/Applicant (for US only): TRAN, Paul Bui-Vinh [US/US]; 3467 Malga Court, Calabasas, California 91302 (US).
- (74) Agents: BROWN, Marshall, J. et al.; Foley & Lardner LLP, 321 N. Clark Street, Suite 2800, Chicago, Illinois 60654 (US).
- (81) Designated States (unless otherwise indicated, for every kind of national protection available): AE, AG, AL, AM, AO, AT, AU, AZ, BA, BB, BG, BH, BR, BW, BY, BZ, CA, CH, CL, CN, CO, CR, CU, CZ, DE, DK, DM, DO, DZ, EC, EE, EG, ES, FI, GB, GD, GE, GH, GM, GT, HN, HR, HU, ID, IL, IN, IS, JP, KE, KG, KM, KN, KP, KR, KZ, LA, LC, LK, LR, LS, LT, LU, LY, MA, MD, ME, MG, MK, MN, MW, MX, MY, MZ, NA, NG, NI, NO, NZ, OM, PE, PG, PH, PL, PT, QA, RO, RS, RU, RW, SC, SD, SE, SG, SK, SL, SM, ST, SV, SY, TH, TJ, TM, TN, TR, TT, TZ, UA, UG, US, UZ, VC, VN, ZA, ZM, ZW.

[Continued on next page]

(54) Title: STORAGE AND ORGANIZER-INTEGRATED SHEET DISPENSERS

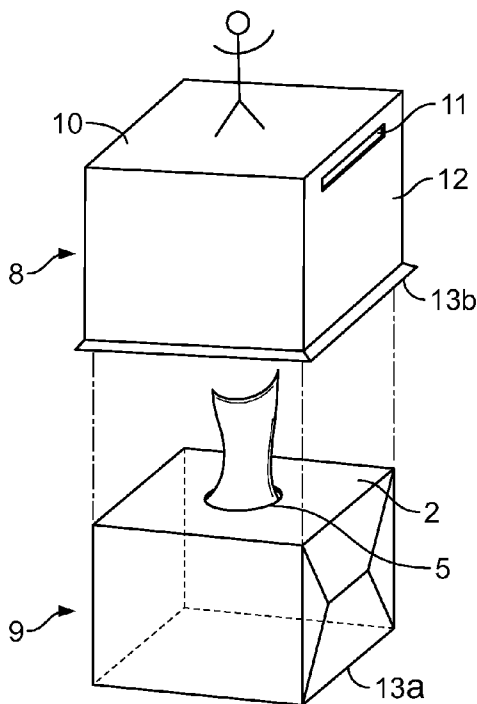


FIG. 2A

(57) Abstract: Systems and methods are provided for dispensing sheets of material (e.g. tissues, wipes, towels, etc.) from a container or other suitable receptacle for storing the sheets of material for dispensing therefrom. The dispenser systems are integrated with storage and/or organizer, which are configured to be above, below, behind, or in front of a dispenser without affecting the dispensing function of the system. The dispensers can be used in a vertical position, capable of dispensing a sheet in a downward or upward direction when mounted on a wall, for example, or in a horizontal position, capable of dispensing a sheet side-ways and/or popup direction. One of the advantages of these dispensers is that it allows a prior art flat top tissue box for use in a vertical position, i.e., standing up on its end, thereby taking even less horizontal space than the cubic tissue box.



(84) Designated States (*unless otherwise indicated, for every kind of regional protection available*): ARIPO (BW, GH, GM, KE, LR, LS, MW, MZ, NA, RW, SD, SL, SZ, TZ, UG, ZM, ZW), Eurasian (AM, AZ, BY, KG, KZ, MD, RU, TJ, TM), European (AL, AT, BE, BG, CH, CY, CZ, DE, DK, EE, ES, FI, FR, GB, GR, HR, HU, IE, IS, IT, LT, LU, LV, MC, MK, MT, NL, NO, PL, PT, RO, RS, SE, SI, SK, SM, TR), OAPI (BF, BJ, CF, CG, CI, CM, GA, GN, GQ, GW, ML, MR, NE, SN, TD, TG).

Published:

— *with international search report (Art. 21(3))*

(88) Date of publication of the international search report:

17 April 2014

INTERNATIONAL SEARCH REPORT

International application No.
PCT/US2012/023795

A. CLASSIFICATION OF SUBJECT MATTER IPC(8) - A47K 10/42 (2012.01) USPC - 221/48 According to International Patent Classification (IPC) or to both national classification and IPC		
B. FIELDS SEARCHED Minimum documentation searched (classification system followed by classification symbols) IPC(8) - A47K 10/24, 10/42 (2012.01) USPC - 206/494; 221/45, 46, 48, 52, 56, 61, 63; 248/318, 340, 905 Documentation searched other than minimum documentation to the extent that such documents are included in the fields searched ECLA - A47K 10/42; B65D 83/08B (2012.01) Electronic data base consulted during the international search (name of data base and, where practicable, search terms used) PatBase		
C. DOCUMENTS CONSIDERED TO BE RELEVANT		
Category*	Citation of document, with indication, where appropriate, of the relevant passages	Relevant to claim No.
X	US 2,514,612 A (SNOW) 11 July 1950 (11.07.1950) entire document	5, 31, 42-44, 68-69
X	WO 2006/000242 A1 (MORIN) 05 January 2006 (05.01.2006) entire document	38-39
X	US 5,067,628 A (EVENSON) 26 November 1991 (26.11.1991) entire document	40
X	US 1,951,413 A (HOPE) 20 March 1934 (20.03.1934) entire document	1-4, 60-61
X	US 2006/0151519 A1 (WHITE) 13 July 2006 (13.07.2006) entire document	62-66
X	US 5,332,118 A (MUCKENFUHS) 26 July 1994 (26.07.1994) entire document	67
X	US 4,638,921 A (SIGL et al) 27 January 1987 (27.01.1987) entire document	34, 45-50, 54-59, 71, 72
X	US 5,540,354 A (ANNAND) 30 July 1996 (30.07.1996) entire document	81
Y		82
Y	US 2,456,068 A (LIBEN) 14 December 1948 (14.12.1948) entire document	82
A	US 2006/0049074 A1 (LONG et al) 09 March 2006 (09.03.2006) entire document	1-5, 31-69, 71-75, 81-83
A	US 2007/0062969 A1 (CITTADINO et al) 22 March 2007 (22.03.2007) entire document	1-5, 31-69, 71-75, 81-83
A	US 2004/0164085 A1 (KITCHING et al) 26 August 2004 (26.08.2004) entire document	1-5, 31-69, 71-75, 81-83
<input type="checkbox"/> Further documents are listed in the continuation of Box C. <input type="checkbox"/>		
* Special categories of cited documents: "A" document defining the general state of the art which is not considered to be of particular relevance "E" earlier application or patent but published on or after the international filing date "L" document which may throw doubts on priority claim(s) or which is cited to establish the publication date of another citation or other special reason (as specified) "O" document referring to an oral disclosure, use, exhibition or other means "P" document published prior to the international filing date but later than the priority date claimed "T" later document published after the international filing date or priority date and not in conflict with the application but cited to understand the principle or theory underlying the invention "X" document of particular relevance; the claimed invention cannot be considered novel or cannot be considered to involve an inventive step when the document is taken alone "Y" document of particular relevance; the claimed invention cannot be considered to involve an inventive step when the document is combined with one or more other such documents, such combination being obvious to a person skilled in the art "&" document member of the same patent family		
Date of the actual completion of the international search 18 July 2012		Date of mailing of the international search report <p align="center" style="font-size: 1.5em;">04 SEP 2012</p>
Name and mailing address of the ISA/US Mail Stop PCT, Attn: ISA/US, Commissioner for Patents P.O. Box 1450, Alexandria, Virginia 22313-1450 Facsimile No. 571-273-3201		Authorized officer: Blaine R. Copenheaver PCT Helpdesk: 571-272-4300 PCT OSP: 571-272-7774

INTERNATIONAL SEARCH REPORT

International application No.
PCT/US2012/023795

Box No. II Observations where certain claims were found unsearchable (Continuation of item 2 of first sheet)

This international search report has not been established in respect of certain claims under Article 17(2)(a) for the following reasons:

- 1. Claims Nos.:
because they relate to subject matter not required to be searched by this Authority, namely:

- 2. Claims Nos.: 76-80
because they relate to parts of the international application that do not comply with the prescribed requirements to such an extent that no meaningful international search can be carried out, specifically:
Claims 76-80 are held to be unsearchable, since the claims are omnibus claims as they refer to Figures 56A, 59A, and 70A, respectively.

- 3. Claims Nos.: 6-30, 84-85
because they are dependent claims and are not drafted in accordance with the second and third sentences of Rule 6.4(a).

Box No. III Observations where unity of invention is lacking (Continuation of item 3 of first sheet)

This International Searching Authority found multiple inventions in this international application, as follows:

See Extra Sheet Attached

- 1. As all required additional search fees were timely paid by the applicant, this international search report covers all searchable claims.
- 2. As all searchable claims could be searched without effort justifying additional fees, this Authority did not invite payment of additional fees.
- 3. As only some of the required additional search fees were timely paid by the applicant, this international search report covers only those claims for which fees were paid, specifically claims Nos.:

- 4. No required additional search fees were timely paid by the applicant. Consequently, this international search report is restricted to the invention first mentioned in the claims; it is covered by claims Nos.:
1-5, 31-69, 71-75, 81-83

Remark on Protest

- The additional search fees were accompanied by the applicant's protest and, where applicable, the payment of a protest fee.
- The additional search fees were accompanied by the applicant's protest but the applicable protest fee was not paid within the time limit specified in the invitation.
- No protest accompanied the payment of additional search fees.

INTERNATIONAL SEARCH REPORT
Information on patent family members

International application No.

PCT/US2012/023795

(Continuation of Box III)

This application contains the following inventions or groups of inventions which are not so linked as to form a single general inventive concept under PCT Rule 13.1. In order for all inventions to be examined, the appropriate additional examination fees need to be paid.

Group I, claims 1-5, 31-69, 71-75, 81-83 are drawn to a sheet dispenser.

Group II, claim 70 is drawn to a wall protector.

The inventions listed in Groups I and II do not relate to a single general inventive concept under PCT Rule 13.1, because under PCT Rule 13.2 they lack the same or corresponding special technical features for the following reasons:

The special technical features of Group I, a sheet dispenser for dispensing a sheet of material in a downward, upward, or sideways direction, are not present in Group II; and the special technical features of Group II, a wall protector comprising a frame having a depth or thickness of at least equal to the length of a doorknob, are not present in Group I.

Since none of the special technical features of the Group I and II inventions are found in more than one of the inventions, unity is lacking.