



US00D954651S

(12) **United States Design Patent**  
**Lin**

(10) **Patent No.:** **US D954,651 S**  
(45) **Date of Patent:** **\*\* Jun. 14, 2022**

(54) **SOCKET**

(71) Applicant: **Dongguan Wontravel Electric Co., Ltd.**, Guangdong (CN)  
(72) Inventor: **Liangguan Lin**, Guangdong (CN)  
(\*\*) Term: **15 Years**  
(21) Appl. No.: **29/787,398**  
(22) Filed: **Jun. 7, 2021**

(30) **Foreign Application Priority Data**

Mar. 25, 2021 (CN) ..... 202130162782.X  
May 6, 2021 (CN) ..... 202130263859.2

(51) **LOC (13) Cl.** ..... **13-03**

(52) **U.S. Cl.**  
USPC ..... **D13/137.2**

(58) **Field of Classification Search**

USPC ..... D13/137.1, 137.2, 137.3, 137.4, 138.1,  
D13/138.2, 139.1, 139.2, 139.3, 139.4,  
D13/139.5, 139.6, 139.7, 139.8, 103, 107,  
D13/108, 110, 119, 123, 133, 145, 152,  
D13/153, 154, 156, 158, 160, 162, 177,  
D13/184, 199  
CPC ..... H01R 13/00; H01R 13/03; H01R 13/04;  
H01R 13/10; H01R 13/35; H01R 13/44;  
H01R 13/453; H01R 13/4534; H01R  
13/502; H01R 13/514; H01R 13/631;  
H01R

(Continued)

(56) **References Cited**

**U.S. PATENT DOCUMENTS**

4,293,172 A \* 10/1981 Lingaraju ..... H01R 31/02  
439/105  
D566,654 S \* 4/2008 Ivanova ..... D13/139.7  
(Continued)

**FOREIGN PATENT DOCUMENTS**

GB 6089591 \* 5/2020

**OTHER PUBLICATIONS**

“PD 20W USB C Power Strip, Flat Plug 4 Widely-Spaced Outlets 3 USB Ports Desktop Fast Charging Station, Compact Outlet Expander with 5ft Extension Cord for Travel, Cruise, Home, Office, Dorm Essentials”, first available Sep. 20, 2021. Amazon.com [https://www.amazon.com/dp/B09GPVSWRF] (Year: 2021).\*

(Continued)

*Primary Examiner* — Rosemary K Tarcza  
*Assistant Examiner* — Seth David Kumpf  
(74) *Attorney, Agent, or Firm* — Prakash Nama; Global IP Services, PLLC

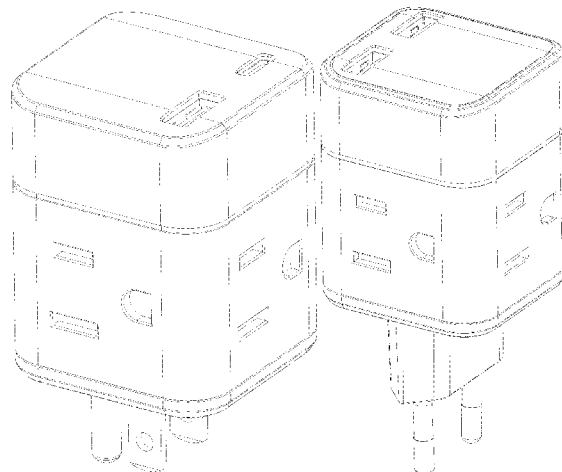
(57) **CLAIM**

The ornamental design for a socket, as shown and described.

**DESCRIPTION**

FIG. 1 is a front elevational view of a socket showing the first embodiment of my new design;  
FIG. 2 is a rear elevational view thereof;  
FIG. 3 is a left side view thereof;  
FIG. 4 is a right side view thereof;  
FIG. 5 is a top plan view thereof;  
FIG. 6 is a bottom plan view thereof;  
FIG. 7 is a perspective view thereof;  
FIG. 8 is a second perspective view thereof;  
FIG. 9 is a third perspective view thereof;  
FIG. 10 is a front elevational view of a socket showing the second embodiment of my new design;  
FIG. 11 is a rear elevational view thereof;  
FIG. 12 is a left side view thereof;  
FIG. 13 is a right side view thereof;  
FIG. 14 is a top plan view thereof;  
FIG. 15 is a bottom plan view thereof;  
FIG. 16 is a perspective view thereof;  
FIG. 17 is a second perspective view thereof; and,  
FIG. 18 is a third perspective view thereof.

**1 Claim, 16 Drawing Sheets**



(58) **Field of Classification Search**

CPC ..... 13/639; H01R 13/6633; H01R 13/6666;  
 H01R 13/6675; H01R 13/7135; H01R  
 31/02; H01R 31/06; H01R 31/065  
 See application file for complete search history.

(56)

**References Cited**

U.S. PATENT DOCUMENTS

D788,709	S	*	6/2017	Yeo	.....	D13/137.2
D807,298	S	*	1/2018	Xu	.....	D13/139.8
D851,598	S	*	6/2019	Liang	.....	D13/139.7
D858,448	S	*	9/2019	Zhou	.....	D13/137.4
D871,343	S	*	12/2019	Yu	.....	D13/139.8
D875,040	S	*	2/2020	Stern	.....	D13/108
D909,308	S	*	2/2021	Shaopeng	.....	D13/137.2
D926,697	S	*	8/2021	Yu	.....	D13/137.2
D935,413	S	*	11/2021	Wang	.....	D13/137.2
2007/0123108	A1	*	5/2007	Ivanova	.....	H01R 9/2408 439/620.22

OTHER PUBLICATIONS

“Wall Charger, 3Pack 5V/2.1A Ailkin 2-Port USB Wall Charger Home Travel Plug Power AC Adapter Fast Charging Block Cube for iPhone 13 12 SE 11Pro Max XS XR 8 7 Plus, Samsung Galaxy, Google Pixel, LG Box”, first available Jul. 19, 2017. Amazon.com [https://www.amazon.com/dp/B07437M5QQ] (Year: 2017).\*

“SUPERDANNY 4 AC Outlet 2 USB Ports 15A Power Adapter Charger with Safety Covers, White”, first accessed Jan. 20, 2022. Walmart.com [https://www.walmart.com/ip/SUPERDANNY-4-AC-Outlet-2-USB-Ports-15A-Power-Adapter-Charger-with-Safety-Covers-White/274577495] (Year: 2022).\*

“SUPERDANNY Multi-Plug Outlet Extender with 4 Electrical Outlets & 3 USB Ports Spaced Cube Charger, White”, first accessed Jan. 20, 2022. Walmart.com [https://www.walmart.com/ip/SUPERDANNY-Multi-Plug-Outlet-Extender-with-4-Electrical-Outlets-3-USB-Ports-Spaced-Cube-Charger-White/796664437] (Year: 2022).\*

\* cited by examiner

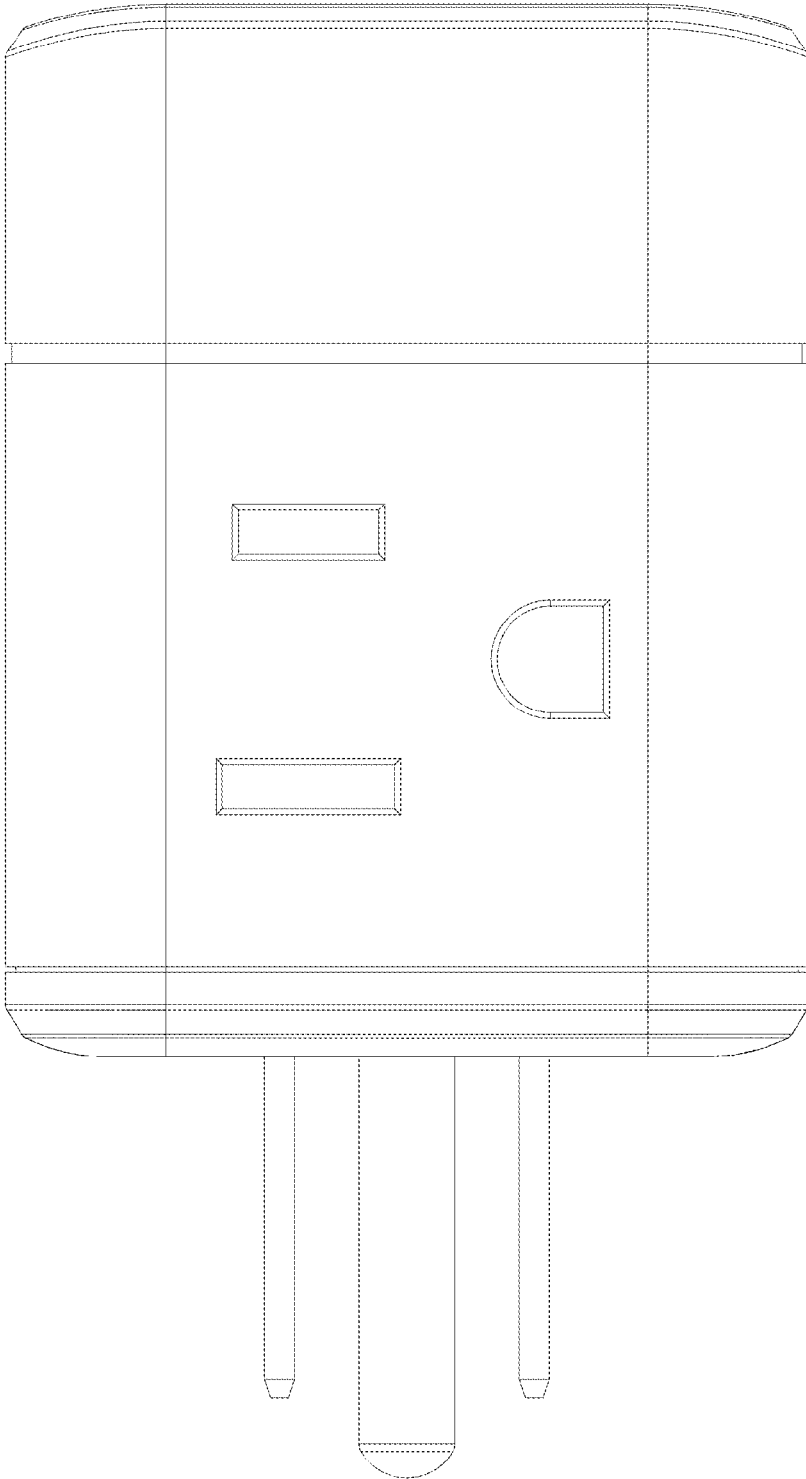


FIG. 1

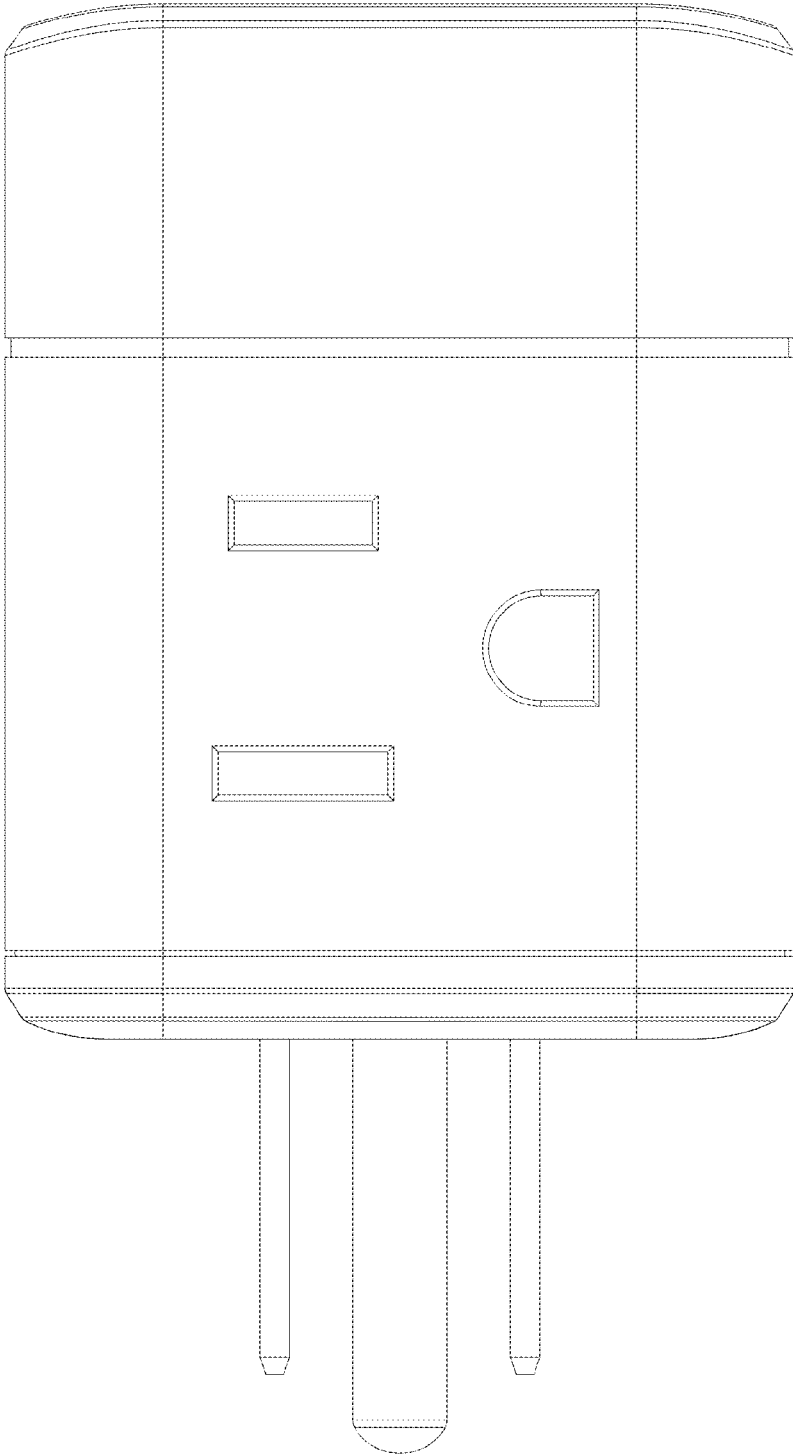


FIG. 2

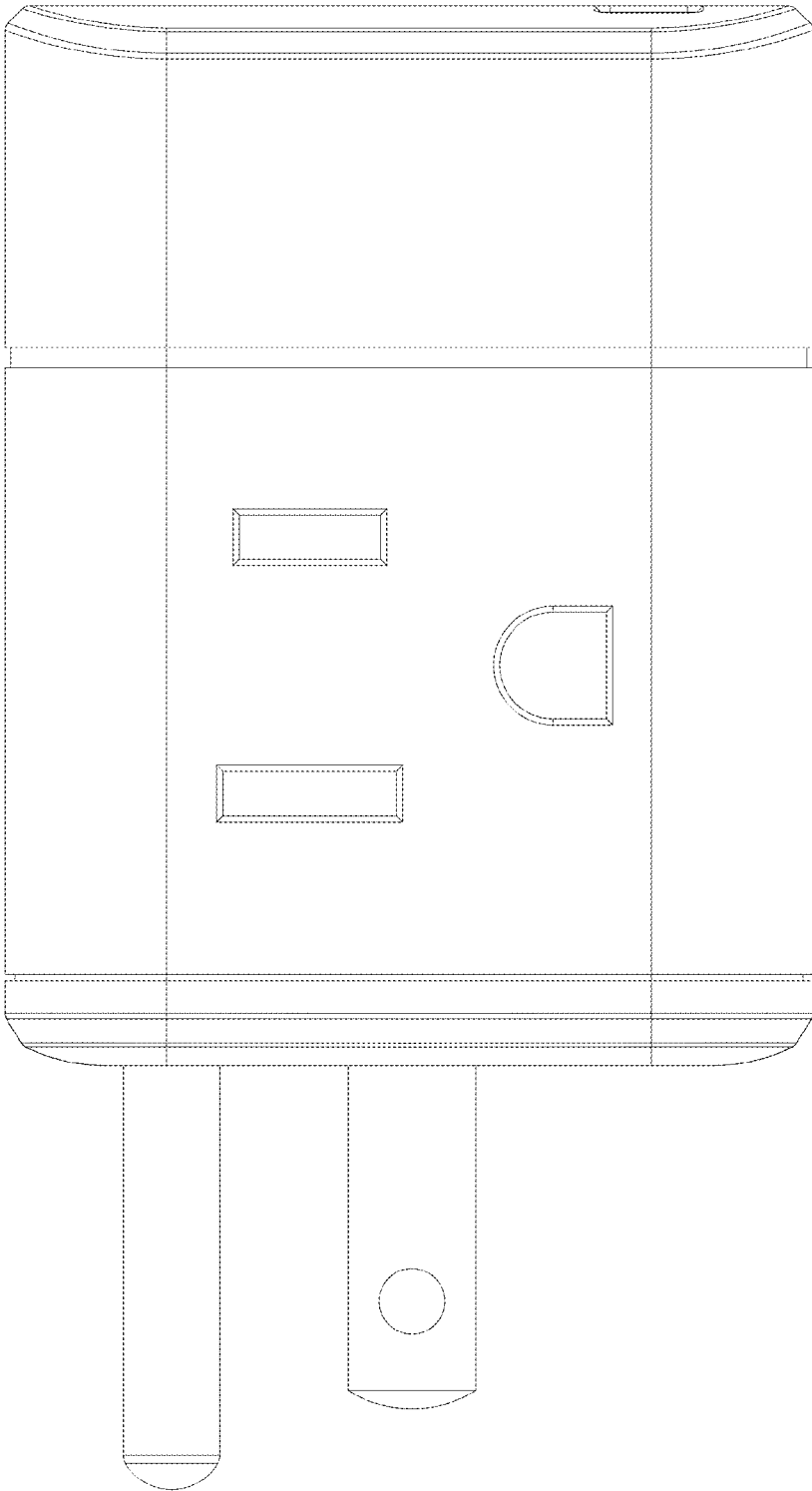


FIG. 3

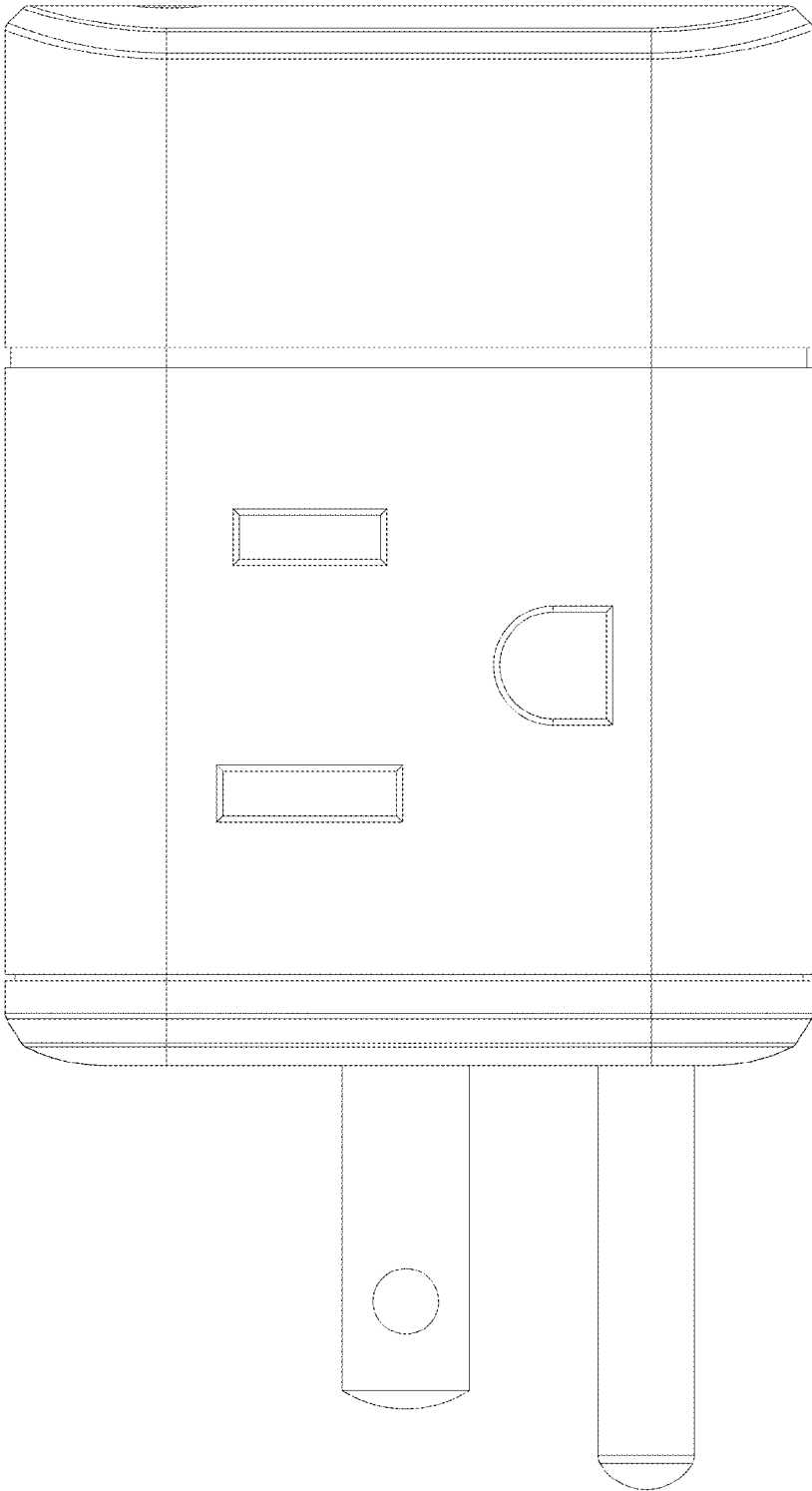


FIG. 4

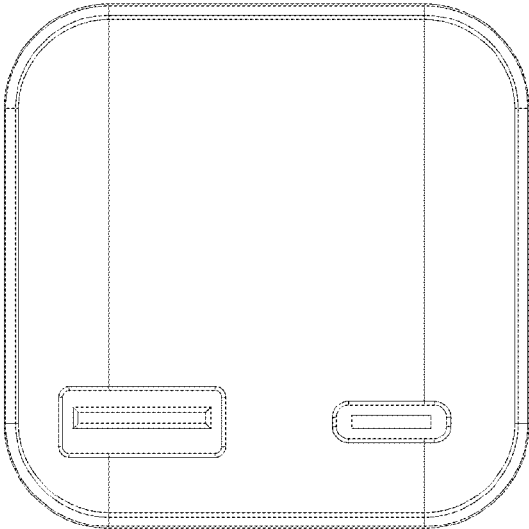


FIG. 5

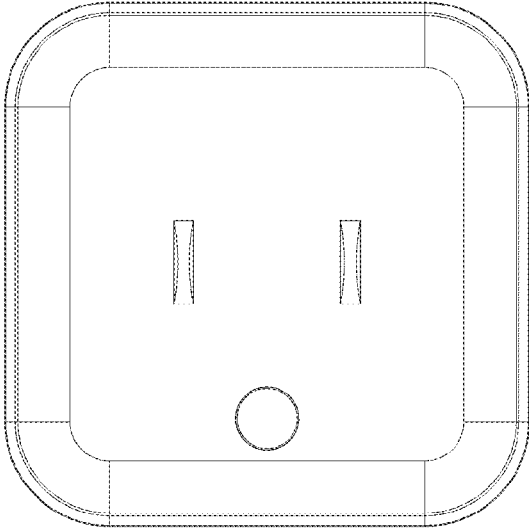


FIG. 6

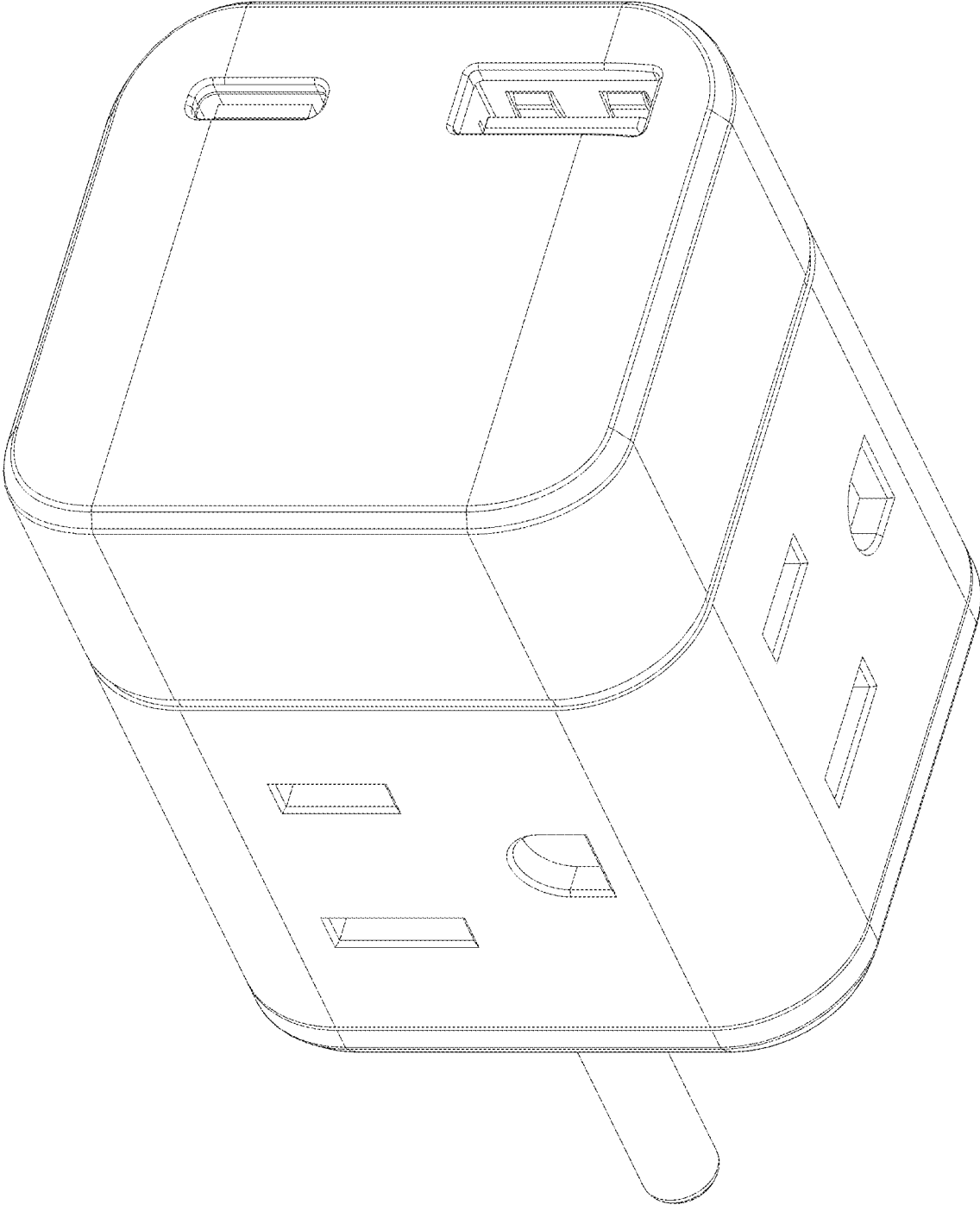


FIG. 7

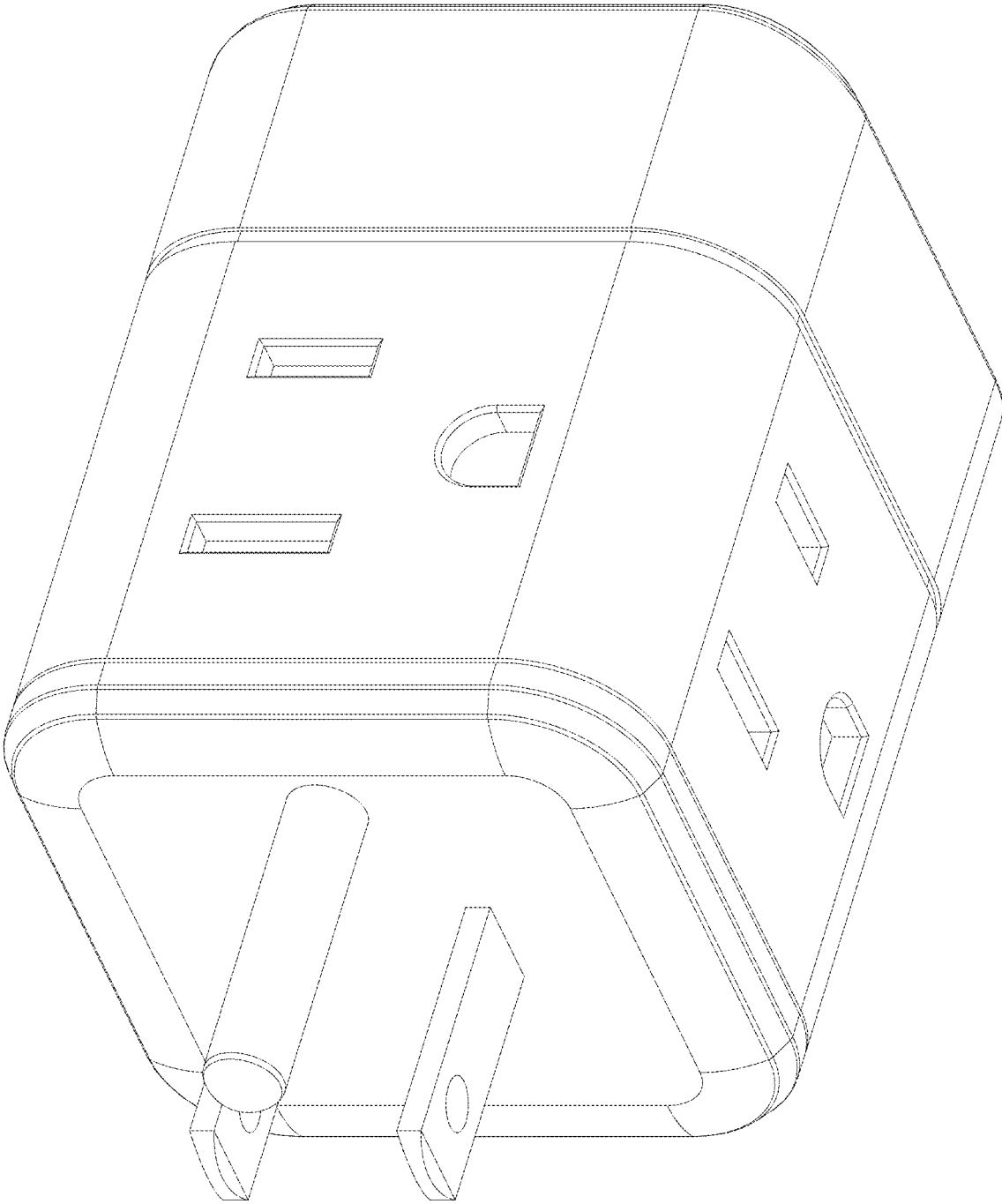


FIG. 8

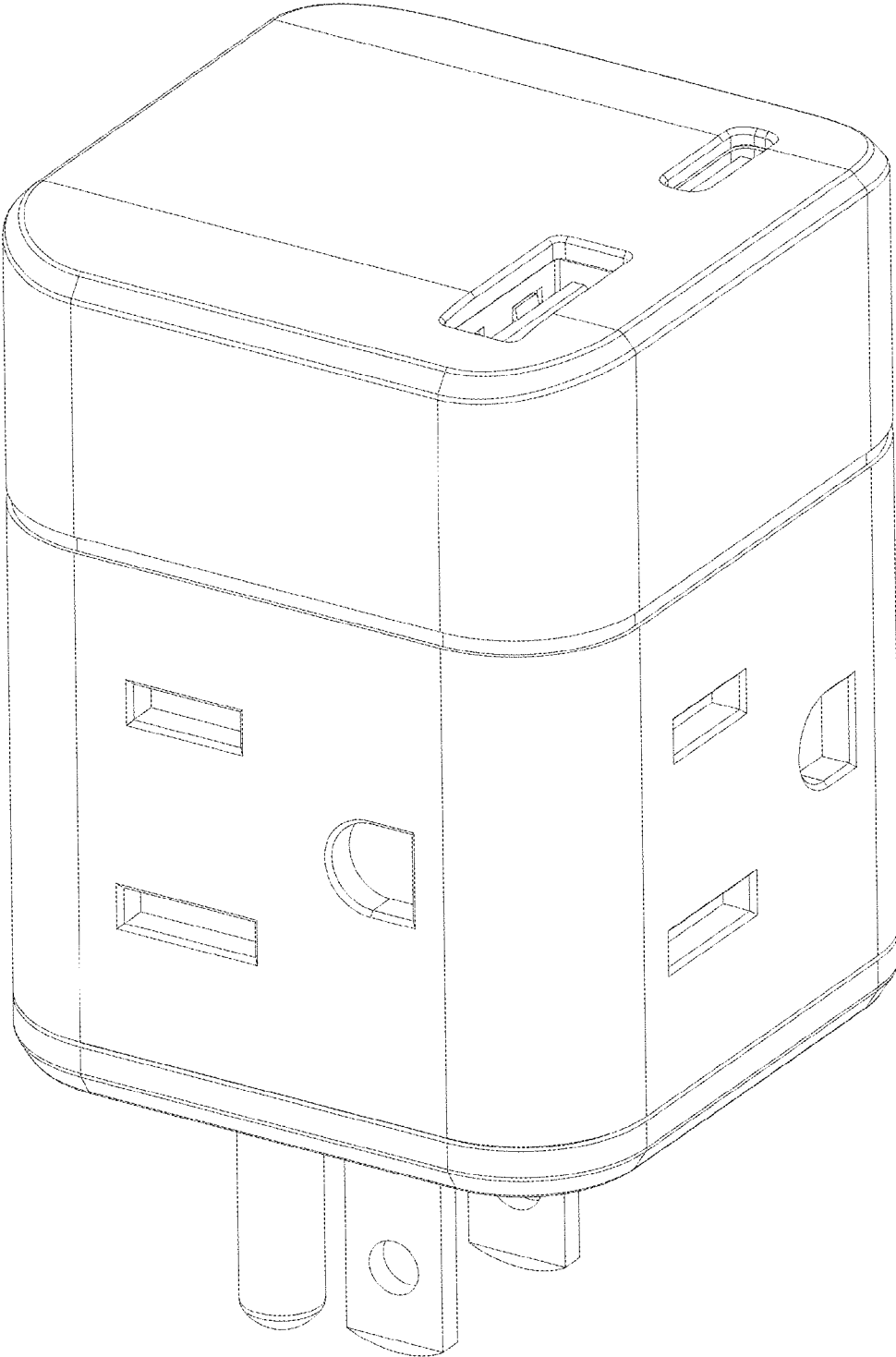


FIG. 9

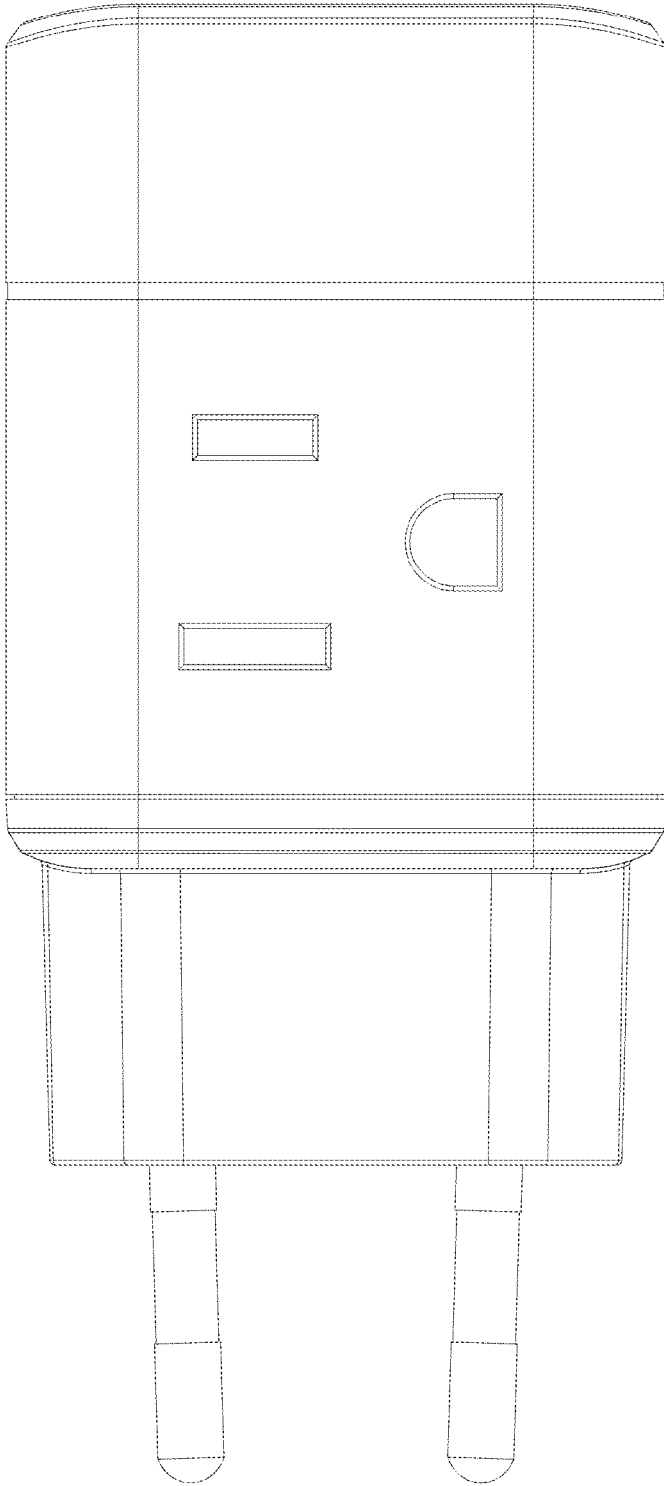


FIG. 10

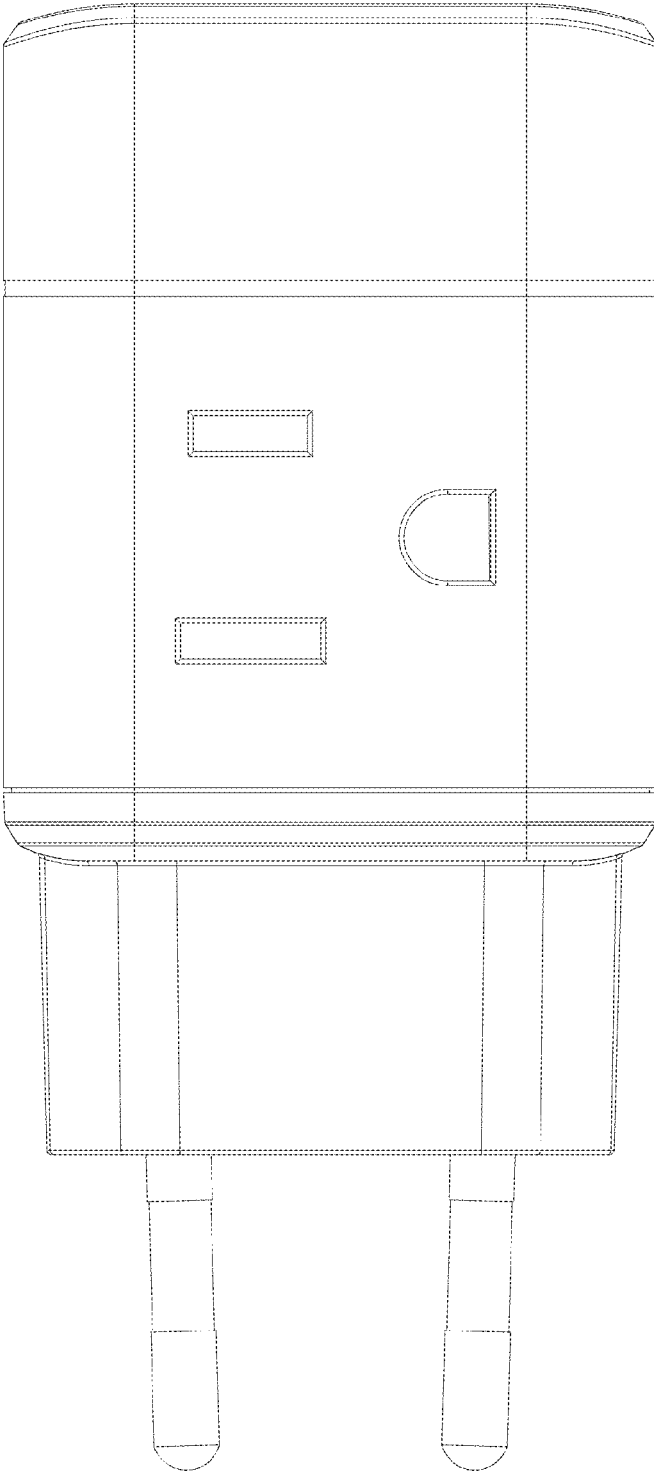


FIG. 11

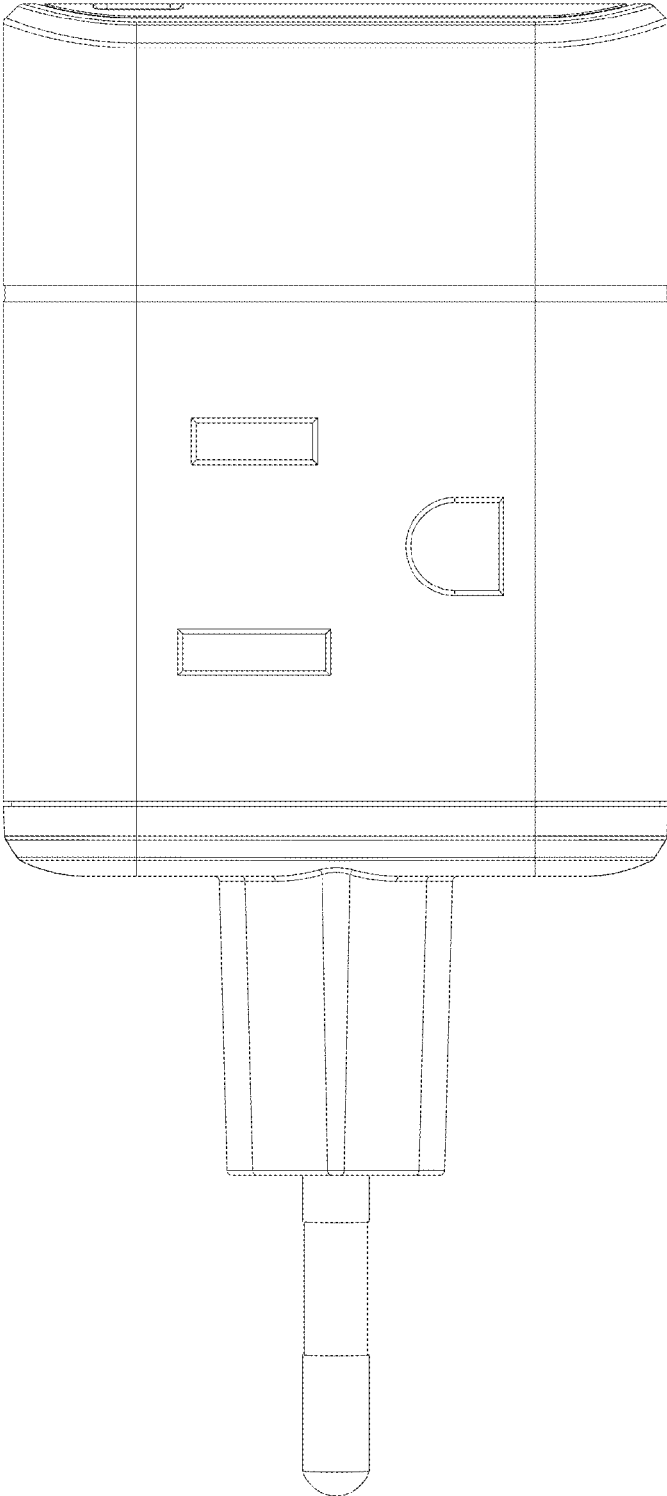


FIG. 12

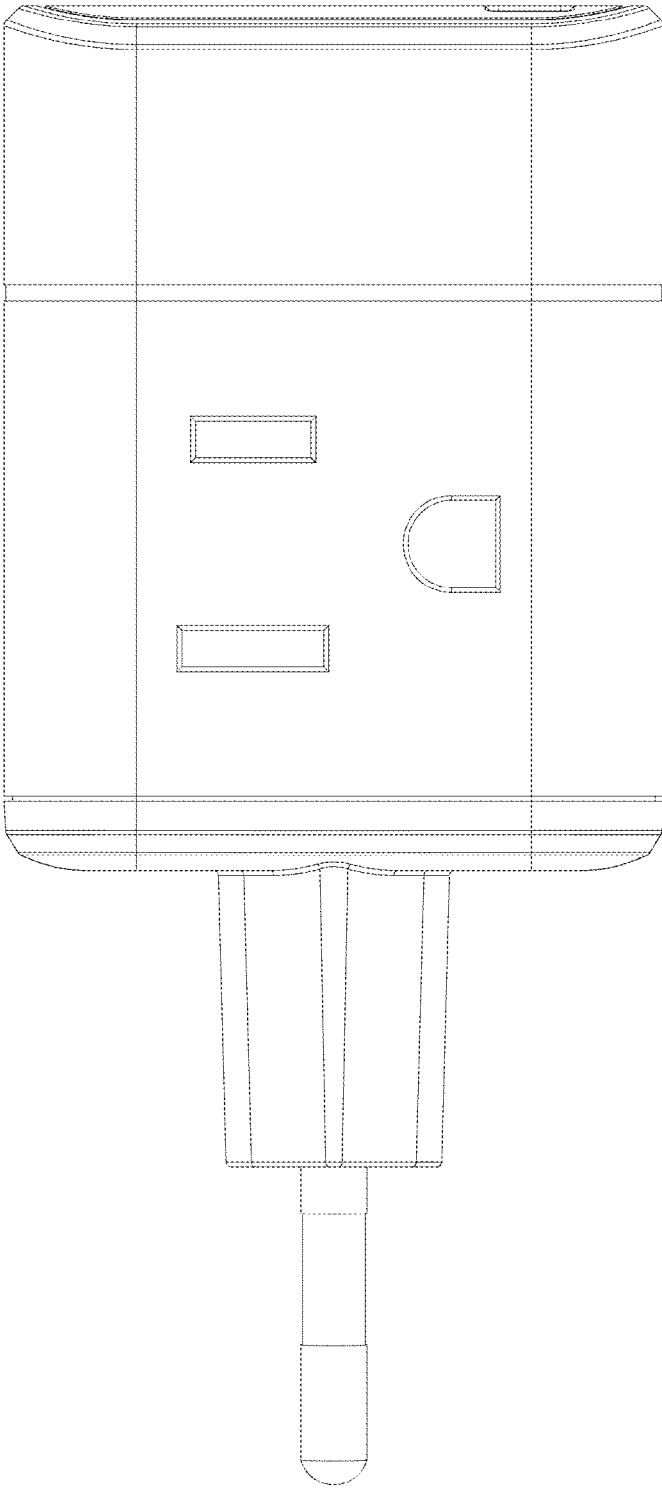


FIG. 13

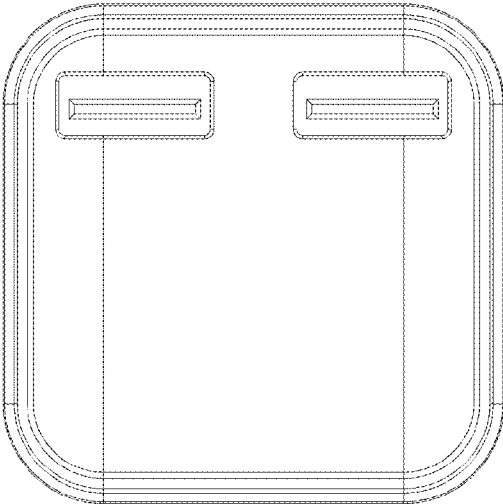


FIG. 14

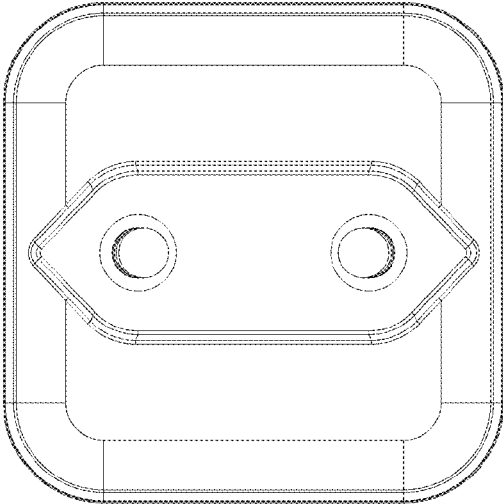


FIG. 15

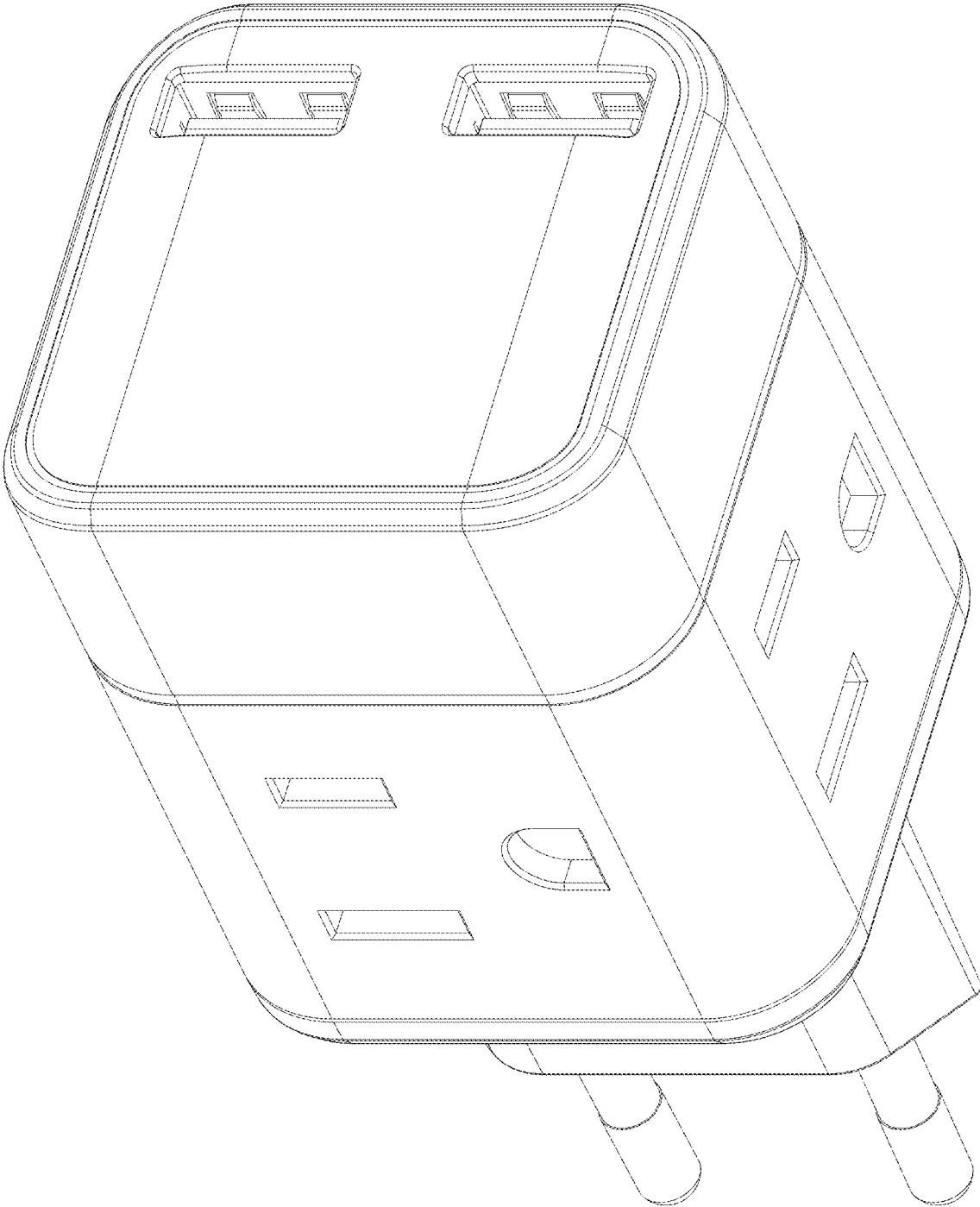


FIG. 16

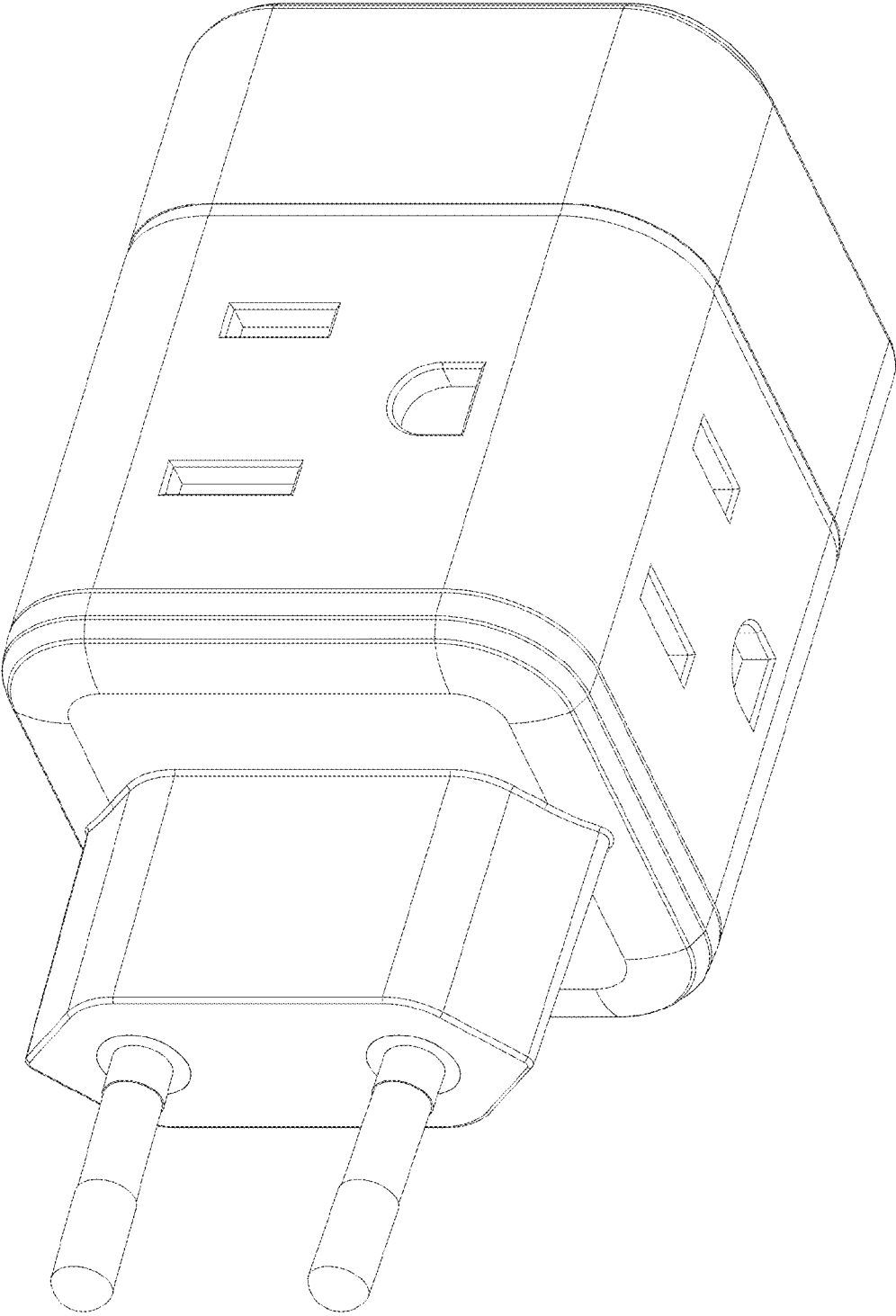


FIG. 17

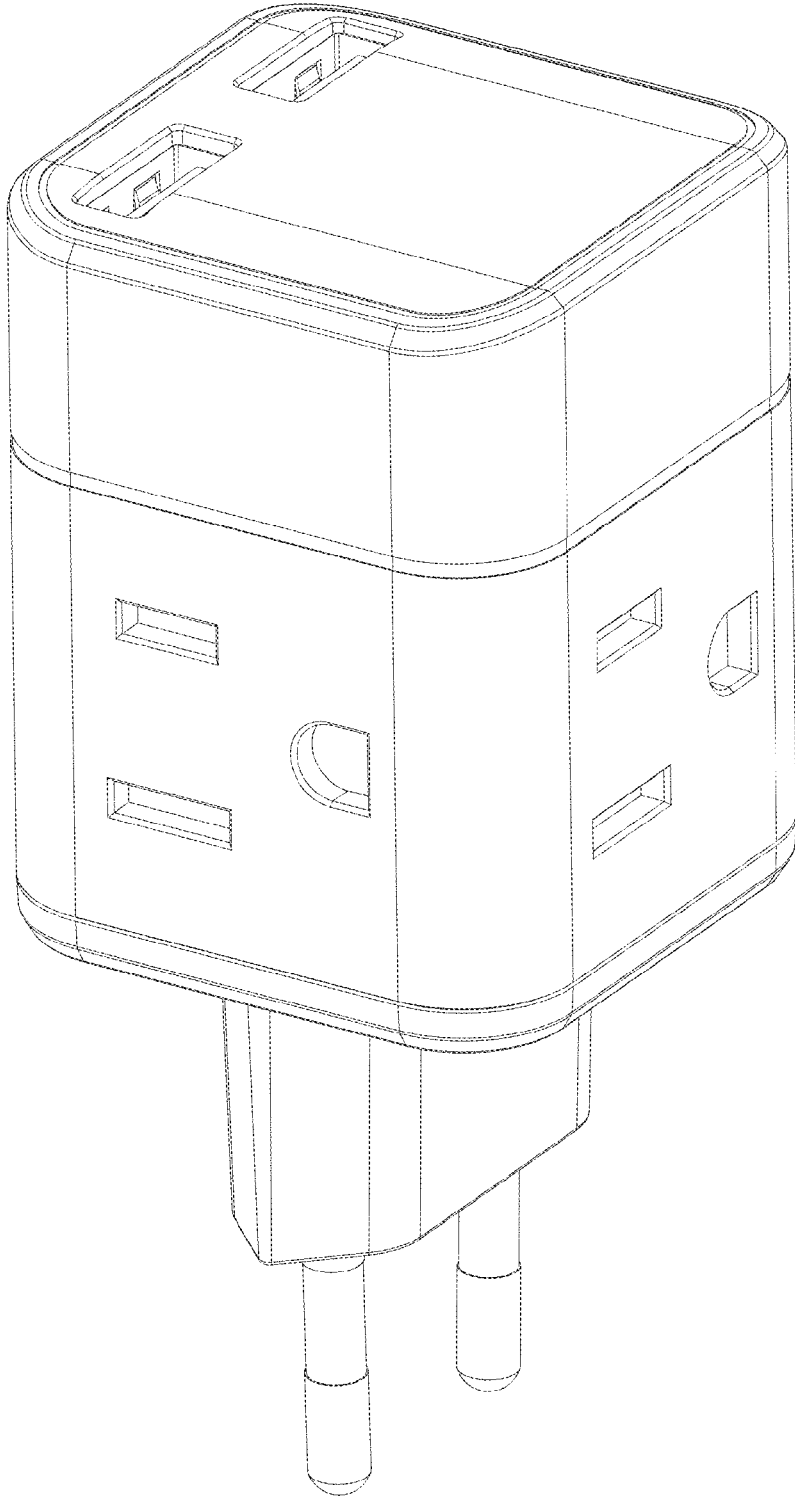


FIG. 18