

(19) World Intellectual Property Organization
International Bureau



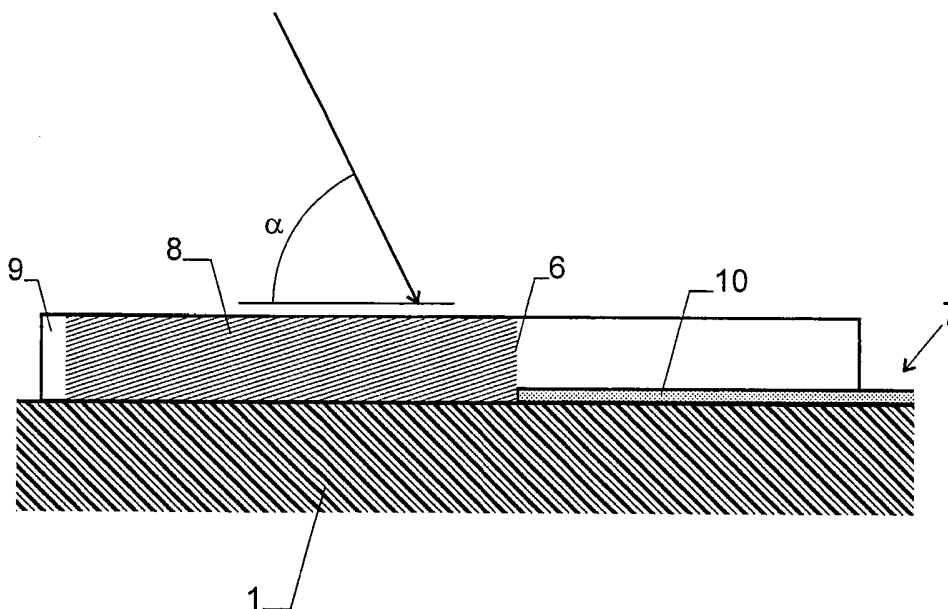
(43) International Publication Date
2 March 2006 (02.03.2006)

PCT

(10) International Publication Number
WO 2006/021102 A1

- (51) International Patent Classification⁷: **B42D 15/10**, (81) Designated States (unless otherwise indicated, for every kind of national protection available): AE, AG, AL, AM, AT, AU, AZ, BA, BB, BG, BR, BW, BY, BZ, CA, CH, CN, CO, CR, CU, CZ, DE, DK, DM, DZ, EC, EE, EG, ES, FI, GB, GD, GE, GH, GM, HR, HU, ID, IL, IN, IS, JP, KE, KG, KP, KR, KZ, LC, LK, LR, LS, LT, LU, LV, MA, MD, MG, MK, MN, MW, MX, MZ, NA, NI, NO, NZ, OM, PG, PH, PL, PT, RO, RU, SC, SD, SE, SG, SK, SL, SY, TJ, TM, TN, TR, TT, TZ, UA, UG, US, UZ, VC, VN, YU, ZA, ZM, ZW.
- (21) International Application Number: PCT/CH2004/000541
- (22) International Filing Date: 27 August 2004 (27.08.2004)
- (25) Filing Language: English
- (26) Publication Language: English
- (71) Applicant (for all designated States except US): **ORELL FÜSSLER SICHERHEITSDRUCK AG** [CH/CH]; Dietzingerstrasse 3, CH-8003 Zürich (CH).
- (72) Inventors; and
- (75) Inventors/Applicants (for US only): **HEIERLI, René** [CH/CH]; Büelrainstrasse 23, CH-8400 Winterthur (CH). **EICHENBERGER, Martin** [CH/CH]; Wybühlstrasse 8, CH-8702 Zollikon (CH).
- (74) Agent: **E. BLUM & CO.**; Vorderberg 11, CH-8044 Zürich (CH).
- (84) Designated States (unless otherwise indicated, for every kind of regional protection available): ARIPO (BW, GH, GM, KE, LS, MW, MZ, NA, SD, SL, SZ, TZ, UG, ZM, ZW), Eurasian (AM, AZ, BY, KG, KZ, MD, RU, TJ, TM), European (AT, BE, BG, CH, CY, CZ, DE, DK, EE, ES, FI, FR, GB, GR, HU, IE, IT, LU, MC, NL, PL, PT, RO, SE, SI, SK, TR), OAPI (BF, BJ, CF, CG, CI, CM, GA, GN, GQ, GW, ML, MR, NE, SN, TD, TG).
- Published:**
— with international search report
- For two-letter codes and other abbreviations, refer to the "Guidance Notes on Codes and Abbreviations" appearing at the beginning of each regular issue of the PCT Gazette.

(54) Title: SECURITY DOCUMENT WITH A VOLUME HOLOGRAM FORMING A PARTIAL MOTIF



(57) Abstract: A security object has a substrate (1) carrying a first motif (6) and mutually aligned thereto a second motif (7). The first motif (6) is formed by a volume hologram (8) and visible under a given viewing condition only. The second motif (7) can e.g. be a dye, a surface hologram, a perforation or any other non-variable or optically variable device. The first and the second motif (6, 7) combine to form a third motif, e.g. a legible text. The combination of the first motif (6) formed by a volume hologram (8) with the second motif provides an increased level of security.

WO 2006/021102 A1

SECURITY DOCUMENT WITH A VOLUME HOLOGRAM FORMING A PARTIAL MOTIF

Technical Field

5

The invention relates to an anti-counterfeit security object, i.e. an object that is difficult to counterfeit, with a volume hologram.

10

Background Art

Security objects of this type may e.g. be bank notes, passports, credit cards, identity cards, packages or tags for valuable goods, data carriers, letterheads, etc. Such objects are often equipped with security features with the purpose to make counterfeiting difficult.

Security features based on holograms are widely known. While most of these features are using surface holograms (i.e. surface diffraction gratings having a depth in the order of only one or a few wavelengths), "volume holograms" have also been proposed for such applications, see e.g. EP 1 091 267. Volume holograms have gratings of a depth that is much larger than the wavelength of visible light, e.g. a depth of at least 10 μm , advantageously at least 50 μm . They can have high diffraction efficiencies, generate powerful images and have well-defined diffraction angles and wavelengths.

With the increasing skill of counterfeiters, a further improvement of such security objects is desired. Also, it is desired that the security objects have characteristics that makes them easy to be verified.

35

Disclosure of the Invention

Hence, it is a general object of the invention to provide a security object that provides strong anti-counterfeiting protection and/or that is easy to verify.

5 Now, in order to implement these and still further objects of the invention, a security object according to the independent claims is provided.

Such a security object contains a first visible motif stored in the volume hologram and a second
10 visible motif stored outside the hologram.

A "motif" in this context designates any kind of symbol, pattern, character or similar that is visible to the unaided eye or to machinery.

"Stored outside the hologram" designates any
15 kind of motif that is not encoded in the refractive index or absorption gratings of the volume hologram, such as a print on the substrate, or a non-holographic coloring of the matrix containing the volume hologram.

The first and the second motif are arranged
20 in alignment, i.e. they are mutually aligned in a defined way. For example, an edge or line formed by the first motif may coincide with, be collinear with or be parallel with an edge or line formed by the second motif.

The first motif is visible under a given
25 viewing condition only, as it is typical for motifs stored in a hologram. For example, it may only be visible when viewing the volume hologram from a first given angular range while illuminating the hologram from a second given angular range with light in a given spectral
30 range. Hence, by deviating from the viewing condition, the first motif may partially or completely disappear or may change its shape or color.

When viewing the first motif under the viewing condition, it combines with the second motif to a
35 third motif.

This kind of arrangement not only allows to check the presence of the first motif but also to compare

its relation to the second motif, which provides a further parameter for checking a document's authenticity.

In a particularly advantageous embodiment, the second motif is formed at least in part by an
5 optically variable device (OVD), such as a surface hologram, an optically variable pigment (OVP) that changes its color depending on the viewing direction, or microscopic holes, i.e. a feature that looks different under different angles. This combination allows to
10 provide a very distinctive behavior of the motifs that makes them easy to detect. This is in particular true if the second motif becomes at least partially visible under the viewing condition of the first motif or if the second motif becomes at least partially invisible under the
15 viewing condition of the first motif, because (in both cases) the two motifs seem to interact or to "belong together".

20

Brief Description of the Drawings

The invention will be better understood and
25 objects other than those set forth above will become apparent when consideration is given to the following detailed description thereof. Such description makes reference to the annexed drawings, wherein:

Fig. 1 is a top view of a bank note with a
30 security feature comprising a hologram layer,

Fig. 2 is a sectional view of the volume hologram and its surroundings in a first embodiment of the invention,

Fig. 3 is a sectional view of the volume
35 hologram and its surroundings in a second embodiment of the invention,

Fig. 4 is a sectional view of the volume hologram and its surroundings in a third embodiment of the invention,

Fig. 5 is a sectional view of the volume
5 hologram and its surroundings in a fourth embodiment of the invention,

Fig. 6 is a sectional view of the volume hologram and its surroundings in a fifth embodiment of the invention,

10 Fig. 7 is a top view of the embodiment of Fig. 6,

Fig. 8 is a sectional view of the volume hologram and its surroundings in a sixth embodiment of the invention, and

15 Fig. 9 shows various embodiments of possible first and second motifs.

Modes for Carrying Out the Invention

20

Fig. 1 shows, as one embodiment of the security object according to the present invention, a bank note having a substrate 1 of paper or plastics with conventional imprinted or otherwise applied security
25 features 2, images 3 and value information 4. In addition, substrate 1 carries one or more security features 5 comprising a volume hologram.

In the present embodiment, security feature 5 comprises visible motifs. The first motif 6, represented
30 in the figure by a hatched pattern, forms the lower halves of the letters '100', while the second motif 7, represented in the figure by a dotted pattern, forms the upper halves of the letters '100'. The first and the second motif are mutually aligned to form, in
35 combination, the letters '100'.

The first motif 6 is formed by the diffraction grating of a volume hologram 8, as it is

shown by the embodiment of Fig. 2. The volume hologram is arranged in a matrix 9, such as a transparent or partially transparent polymer. The matrix 9 may also be formed by substrate 1 if the latter is a transparent or partially transparent polymer.

Volume hologram 8 is structured to form the first motif 6, e.g. by cutting the matrix 9 to have the shape of the lower halves of the letters '100' while the volume hologram 8 extends over the whole matrix 9, or limiting the extension of the volume hologram 8 to the shape of the lower halves of the letters '100' while the matrix 9 may have larger size.

Suitable materials and methods for preparing a volume hologram are known to the person skilled in the art and are e.g. described in WO 03/036389 by Xetos AG, Germany.

Typically, the first motif 6 is visible under a certain viewing condition only, because the diffraction condition of the hologram's diffraction grating must be fulfilled. For example, with diffuse white light illumination, the first motif may be visible by eye as a colored image under a viewing angle α between 40° and 100° and be substantially invisible from directions outside that viewing angle.

In the example of Fig. 2, the second motif 7 is formed by a dye or coloring 10 printed on or embedded in substrate 1.

The document of Fig. 1 and 2 can be examined by viewing it under the viewing condition such that both motifs 6 and 7 are visible and form the easily recognizable number '100'. If no such number appears, or if it appears outside the viewing condition, or if the motifs 6 and 7 are not well aligned, the document may be invalid.

As can be seen from Fig. 2, the matrix 9 may overlap the second motif 7 and, as it will be apparent

from subsequent embodiments, the hologram 8 and therefore the first motif 6 may also overlap the second motif 7.

The dye 10 may be a conventional, anisotropic dye that has the same color from all viewing angles.

5 However, it may advantageously comprise an optically variable pigment (OVP), as it is e.g. described in WO 02/073250. Such an OVP (also called "optically variable ink", OVI) changes color depending on viewing angle. In an advantageous embodiment, volume hologram 7 and dye 10
10 are chosen such that, under the viewing condition of the volume hologram 8, both motifs have substantially the same color or complementary colors. This, and the interaction between the first and the second motifs, adds a further security feature to the document.

15 A second embodiment of the invention is shown in Fig. 3. Here, the second motif 7 is formed by a plurality of mounds 12 applied to substrate 1. Valleys 13 are formed between the mounds. When viewed from a first, comparatively flat viewing angle α_1 , the valleys 13 are
20 hidden by the mounds 12 and therefore substantially invisible, while, when viewed from a second, steeper viewing angle α_2 , the valleys become visible. The valleys 13 and the mounds 12 have different color, e.g. by using a dye for forming the mounds 12. Hence, the mounds 12 and
25 valleys 13 form an optically variable device that changes its color depending on the viewing angle, as described in US 4 124 947.

The volume hologram 8 and the optically variable device 12, 13 of Fig. 3 will interact when the
30 user views the document under different angles, both changing their colors in a characteristic way. By comparing the ways how the two motifs change, the viewer can recognize that they are based on different technologies, which adds a further security feature to
35 the document.

A further embodiment of the invention is disclosed in Fig. 4. Here, the second motif 7 is formed

by a surface hologram or, in other words, a surface diffraction grating 15, which is e.g. formed on top of a metal foil 16. Diffraction grating 15 may be covered by a protective, transparent film (not shown), as it is known
5 to the person skilled in the art.

Volume hologram 8 and surface grating 15 of Fig. 4 will again interact when the user views the document under different angles, both changing their colors and/or visible motif in a characteristic way. By
10 comparing the ways how the two motifs change, the viewer can recognize that they are based on different technologies, which adds a further security feature to the document.

Hologram 8 and surface grating 15 may lie
15 beside each other (as shown in Fig. 4), or they may overlap partially or completely.

Fig. 5 shows another embodiment. In this embodiment, the second motif 7 is generated by a multi-layer coating 18 forming a Fabry-Perot filter on top of a
20 carrier 19. A Fabry-Perot filter is an assembly of one or more thin, partially or fully transparent films forming one or more optical resonators between their interfaces. Such Fabry-Perot filters change their color depending on the viewing angle, similar to optically variable
25 pigments.

The Fabry-Perot filter 18 is structured, e.g. by being cut in the shape of half-letters, to form the second motif 7.

Again, the comparison of the optical
30 properties of the two motifs 6, 7 of the embodiment of Fig. 5 provides a further security aspect of the bank note.

The motifs 6, 7 of the embodiment of Fig. 5 can again be non-overlapping, partially overlapping or
35 fully overlapping.

Another advantageous embodiment is shown in Fig. 6 and 7. Here, the second motif 7 is formed by holes

20, 21 extending through substrate 1, which have a diameter comparable to or smaller than the thickness of the substrate. In the embodiment shown, the holes 6 and 7 are elongate, such that they form different patterns
5 depending on the viewing angle, as it is described by WO 04/011274. For strong effects on typical paper substrates, a maximum diameter of the holes should advantageously not exceed 150 μm .

Advantageously, the holes 20, 21 are shaped
10 to exhibit the second motif 7 only when viewed under an oblique angle, and the viewing condition for volume hologram 8 is such that the first motif 6 is also visible under such the same oblique angle, which gives a user a very strong indication of the validity of a document.

15 In general, the holes 20, 21 are advantageously shaped and positioned to exhibit the second motif 7 only under a given viewing angle range, over at least part of which viewing angle range the first motif 6 is visible as well.

20 As is shown in Fig. 7, volume hologram 8 may cover at least some of the holes 20, 21. The volume hologram may be such that it scatters light passing through the holes 20, 21. When the user is viewing the light passing through the holes 20, 21, he will then be
25 able to see diffraction effects, such as a unique coloring or light emitting under specific angles, which further enhances the security of the document.

Yet a further advantageous embodiment is shown in Fig. 8, where the matrix 9 holding the volume
30 hologram 8 has been locally dyed, as indicated by the dotted pattern 26. This embodiment is similar to the embodiment of Fig. 2, but the dye 26 has now been suspended in the matrix 9. Similarly, the dye 26 can be applied to a surface of the matrix 9. This design has the
35 advantage that the first and second motifs 6, 7 can both be prepared separately from substrate 1 on matrix 9.

In the embodiments shown so far, the first and the second motif 6, 7 each represent the lower or upper half, respectively, of the legible text '100'. Fig. 9 shows again such a combined motif 30, together with
5 examples for further possible combined motifs 31 - 33.

In combined motif 31, the first and second motifs 6, 7 again combine to form legible text, namely the text "valid". The first motif 6 forms the even characters, while the second motif 7 forms the odd
10 characters of the text.

In combined motif 32, the first and second motifs each form line segments, both type of line segments being arranged collinearly to form a substantially continuous line when viewed under the
15 viewing condition.

In combined motif 33, the first motif 6 forms a square while the second motif 7 forms two lines aligned to the edges of the square.

All these examples illustrate how the first
20 and second motifs 6, 7 combine to a third motif that can be recognized easily.

As mentioned above, the present invention can be used as a security feature on a wide range of objects, such as banknotes, checks or other documents of value, or
25 on passport, credit cards, id cards, but also on quality office paper or any other object where counterfeiting is to be made difficult.

While there are shown and described presently preferred embodiments of the invention, it is to be dis-
30 tinctly understood that the invention is not limited thereto but may be otherwise variously embodied and practiced within the scope of the following claims.

Claims

1. An anti-counterfeit security object
comprising
5 a substrate (1),
a volume hologram (8) arranged on or in the
substrate (1),
a first motif (6) stored in said volume
hologram (8) and visible under a given viewing condition
10 only, and
a second motif (7) stored outside said volume
hologram (8) and arranged in alignment with said first
motif (6),
wherein, under said viewing condition, said
15 first and said second motif (7) combine to a third motif
(6, 7).
2. The object of claim 1 wherein said second
motif (7) is at least partially formed by a dye (10)
printed to said substrate (1).
- 20 3. The object of any of the preceding claims
further comprising a matrix (9), wherein said volume
hologram (8) is arranged in said matrix (9) and wherein
said second motif (7) is at least partially formed by a
dye (26) suspended in or applied to the matrix (9).
- 25 4. The object of any of the preceding claims
wherein an edge or line of the first motif (6) coincides
with, is collinear with or parallel to an edge or line
formed by the second motif (7).
5. The object of any of the preceding claims
30 wherein, under said viewing condition, said first and
said second motif (7) combine to form legible text.
6. The object of any of the preceding claims
wherein said second motif (7) is at least partially
formed by an optically variable device (12, 13; 15; 18;
35 20, 21).

7. The object of claim 6, wherein the second motif (7) becomes at least partially visible under said viewing condition.

8. The object of one of the claims 6 or 7, wherein the second motif (7) becomes at least partially invisible under said viewing condition.

9. The object of any of the preceding claims wherein said second motif (7) is at least partially formed by an optically variable pigment.

10. The object of any of the preceding claims wherein said second motif (7) is at least partially formed by a surface diffraction grating (15).

11. The object of any of the preceding claims wherein said second motif (7) is at least partially formed by a Fabry-Perot filter (18).

12. The object of any of the preceding claims wherein said second motif (7) is at least partially formed by holes (20, 21) extending through said substrate (1).

13. The object of claim 12 wherein at least part of said holes (20, 21) are elongate.

14. The object of claim 13 wherein the holes are shaped (20, 21) and positioned to exhibit the second motif (7) only under a given viewing angle range, over at least part of which viewing angle range the first motif (6) is visible as well.

15. The object of one of the claims 12 or 14 wherein said holes (20, 21) have a diameter of less than 150 μm .

16. The object of one of the claims 12 to 15 wherein said volume hologram (8) extends over at least part of said holes (20, 21).

17. The object of claim 16 wherein said volume hologram (8) scatters light passing through said holes (20, 21).

18. The object of one of the preceding claims wherein said second motif (7) is formed at least

partially by a plurality of mounds (12) applied to the substrate (1) and valleys (13) between the mounds, wherein, when viewed from a first viewing angle (α_1), said valleys (13) are hidden by said mounds (12) and
5 therefore substantially invisible, while, when viewed from a second viewing angle (α_2), said valleys (13) are visible, wherein said valleys (13) and said mounds (12) have different color.

19. The object of any of the preceding claims
10 wherein the first, second and third motifs are recognizable, at least under the viewing condition, by the unaided eye.

20. The object of any of the preceding claims
wherein, under the viewing condition, the first and the
15 second motifs (7) have substantially the same color or substantially complementary color.

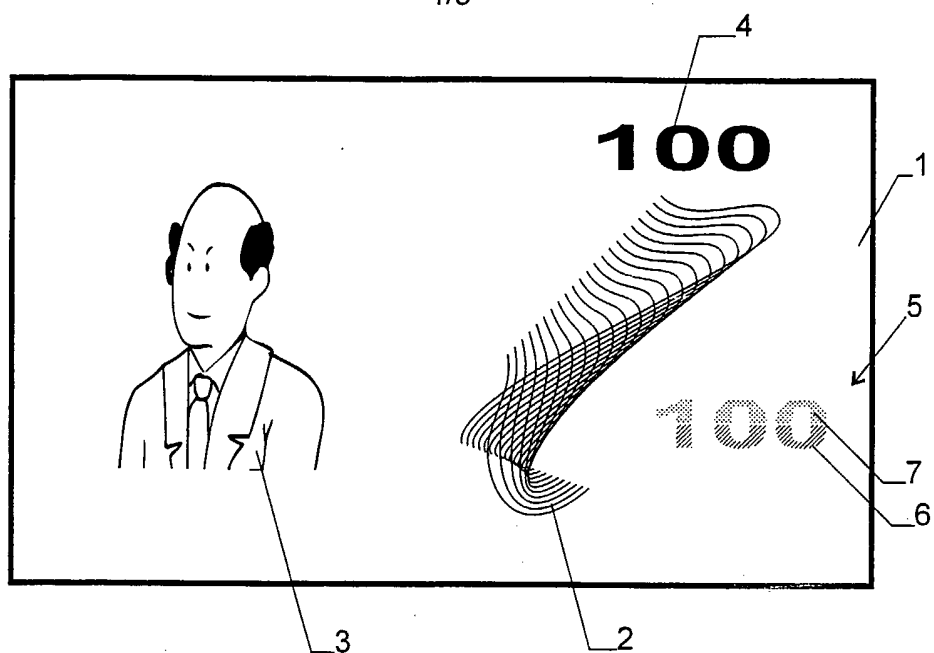


Fig. 1

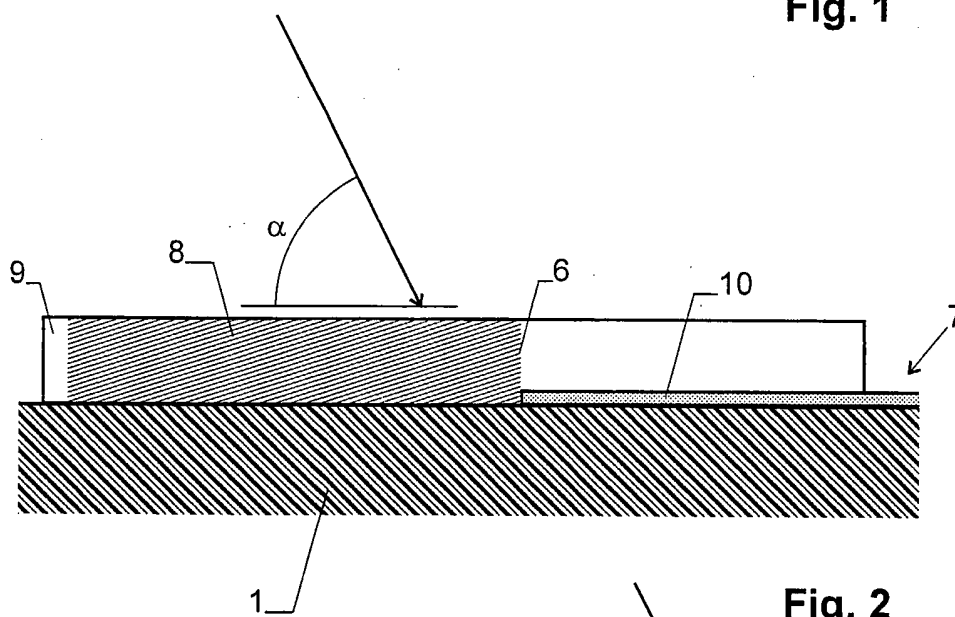


Fig. 2

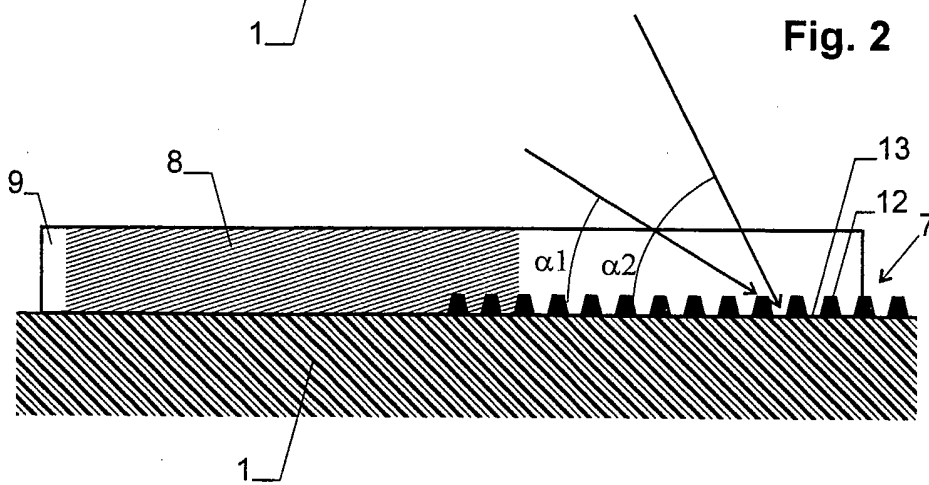


Fig. 3

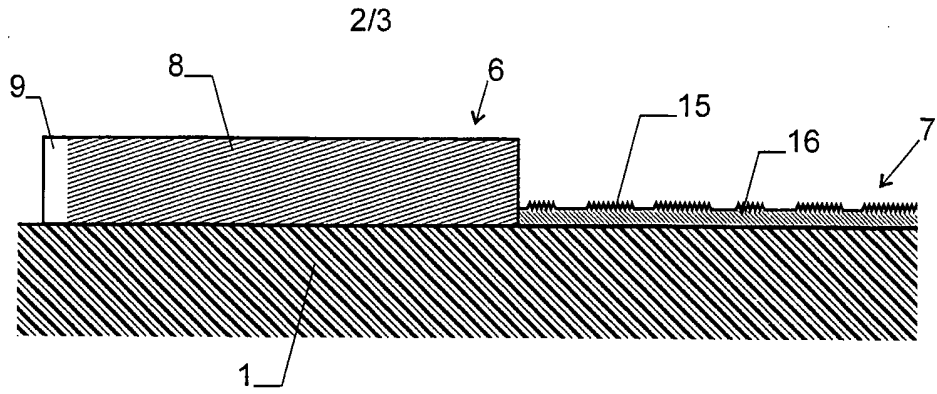


Fig. 4

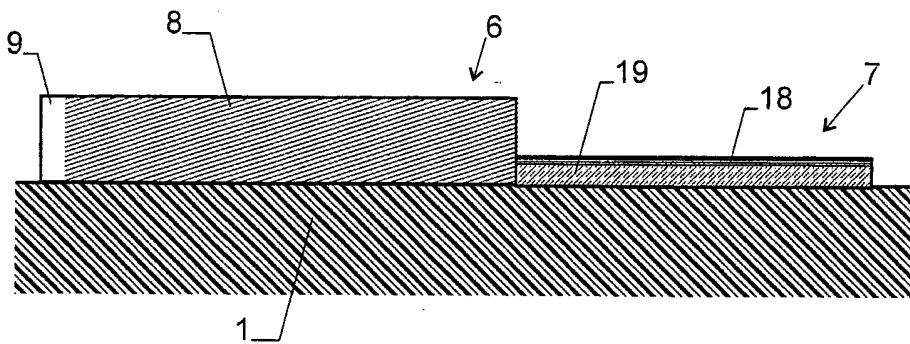


Fig. 5

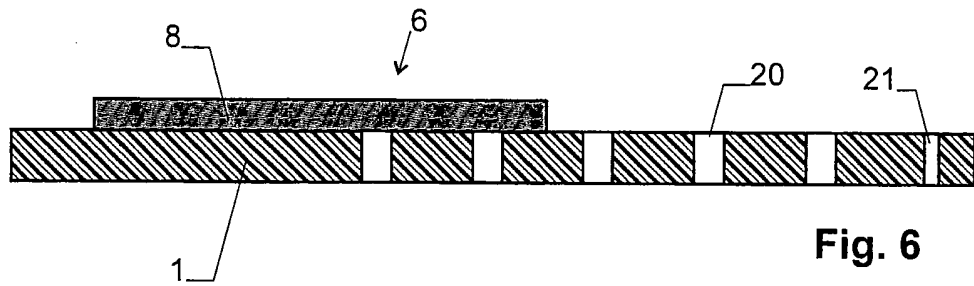


Fig. 6

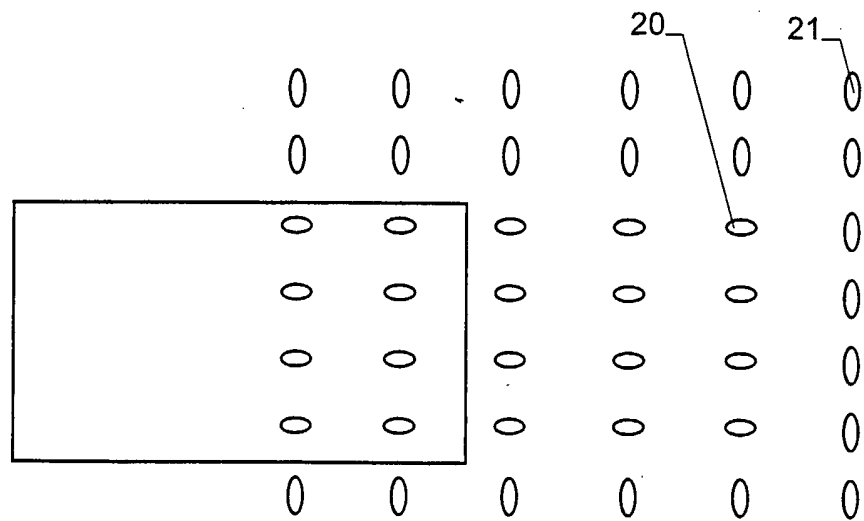


Fig. 7

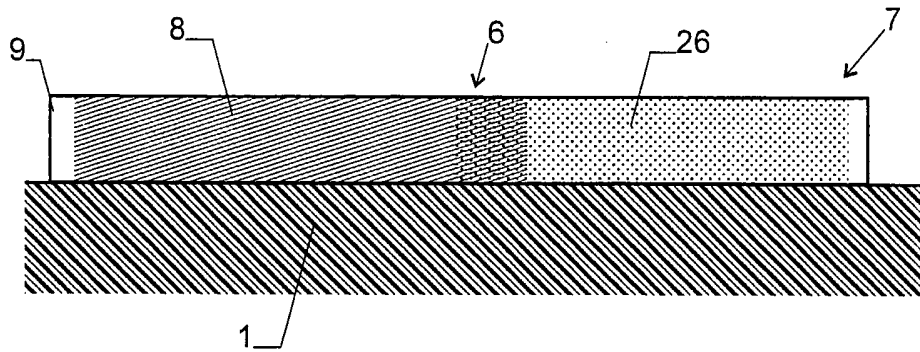


Fig. 8

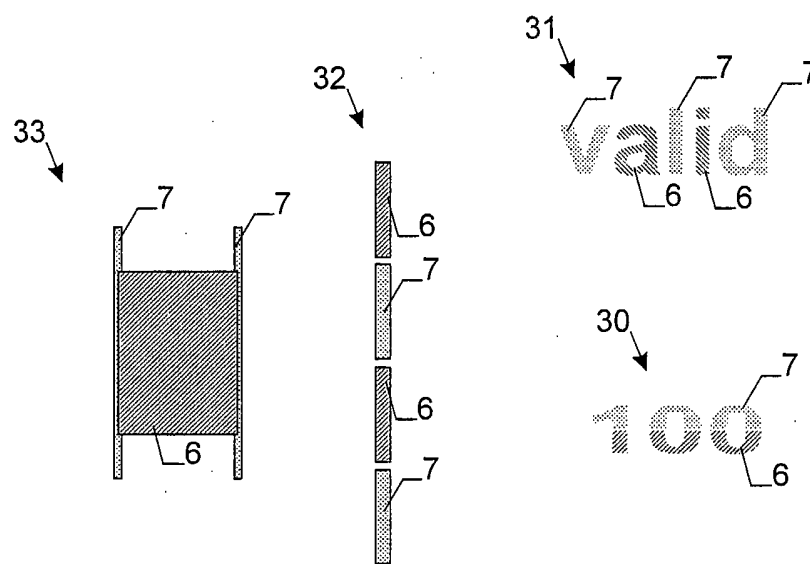


Fig. 9

INTERNATIONAL SEARCH REPORT

International Application No
PCT/CH2004/000541

A. CLASSIFICATION OF SUBJECT MATTER IPC 7 B42D15/10 B42D15/00		
According to International Patent Classification (IPC) or to both national classification and IPC		
B. FIELDS SEARCHED		
Minimum documentation searched (classification system followed by classification symbols) IPC 7 B42D		
Documentation searched other than minimum documentation to the extent that such documents are included in the fields searched		
Electronic data base consulted during the International search (name of data base and, where practical, search terms used) EPO-Internal, WPI Data		
C. DOCUMENTS CONSIDERED TO BE RELEVANT		
Category °	Citation of document, with indication, where appropriate, of the relevant passages	Relevant to claim No.
X	DE 39 32 505 A (GAO GESELLSCHAFT FÜR AUTOMATION UND ORGANISATION) 11 April 1991 (1991-04-11)	1-3,5, 19,20
Y	see abstract column 12, line 44 - column 13, line 40 column 20, line 23 - column 24, line 30; figures 1-9,20-24	4,6-18
Y	----- WO 03/031198 A (SECURIKETT ULRICH & HORN GMBH) 17 April 2003 (2003-04-17) see abstract page 1, line 1 - page 5, line 3; claims 1-7; figures 2,3	4,6-8, 10,11
Y	----- WO 02/073250 A (SICPA HOLDING S.A.) 19 September 2002 (2002-09-19) cited in the application the whole document -----	9
-/--		
<input checked="" type="checkbox"/> Further documents are listed in the continuation of box C.		
<input checked="" type="checkbox"/> Patent family members are listed in annex.		
° Special categories of cited documents :		
A document defining the general state of the art which is not considered to be of particular relevance	*T* later document published after the international filing date or priority date and not in conflict with the application but cited to understand the principle or theory underlying the invention	
E earlier document but published on or after the international filing date	*X* document of particular relevance; the claimed invention cannot be considered novel or cannot be considered to involve an inventive step when the document is taken alone	
L document which may throw doubts on priority claim(s) or which is cited to establish the publication date of another citation or other special reason (as specified)	*Y* document of particular relevance; the claimed invention cannot be considered to involve an inventive step when the document is combined with one or more other such documents, such combination being obvious to a person skilled in the art.	
O document referring to an oral disclosure, use, exhibition or other means	*&* document member of the same patent family	
P document published prior to the international filing date but later than the priority date claimed		
Date of the actual completion of the international search 16 June 2005	Date of mailing of the international search report 01/07/2005	
Name and mailing address of the ISA European Patent Office, P.B. 5818 Patentlaan 2 NL - 2280 HV Rijswijk Tel. (+31-70) 340-2040, Tx. 31 651 epo nl, Fax: (+31-70) 340-3016	Authorized officer Greiner, E	

INTERNATIONAL SEARCH REPORT

International Application No
PCT/CH2004/000541

C.(Continuation) DOCUMENTS CONSIDERED TO BE RELEVANT		
Category °	Citation of document, with indication, where appropriate, of the relevant passages	Relevant to claim No.
Y	WO 2004/011274 A (ORALL FÜSSLI SICHERHEITSDRUCK AG) 5 February 2004 (2004-02-05) cited in the application the whole document -----	12-17
Y	US 4 124 947 A (ADOLF KUHL ET AL.) 14 November 1978 (1978-11-14) cited in the application the whole document -----	18
A	EP 0 304 194 A (CHUBB ELECTRONICS LIMITED) 22 February 1989 (1989-02-22) the whole document -----	1-20
A	US 5 142 383 A (DONALD W. MALLIK) 25 August 1992 (1992-08-25) the whole document -----	1-20
A	EP 1 091 267 A (DAI NIPPON PRINTING CO., LTD.) 11 April 2001 (2001-04-11) cited in the application the whole document -----	1-20

INTERNATIONAL SEARCH REPORT

International Application No
PCT/CH2004/000541

Patent document cited in search report		Publication date	Patent family member(s)	Publication date
DE 3932505	A	11-04-1991	DE 3932505 A1	11-04-1991
			AT 275482 T	15-09-2004
			AT 262710 T	15-04-2004
			AT 178152 T	15-04-1999
			AT 287561 T	15-02-2005
			AU 648992 B2	12-05-1994
			AU 6370890 A	11-04-1991
			CA 2026542 A1	29-03-1991
			DE 59010867 D1	29-04-1999
			DE 59010937 D1	29-04-2004
			DE 59010939 D1	14-10-2004
			DE 59010940 D1	24-02-2005
			EP 1132862 A2	12-09-2001
			EP 1229492 A1	07-08-2002
			EP 1241022 A1	18-09-2002
			EP 1241618 A1	18-09-2002
			EP 1501045 A1	26-01-2005
			EP 0420261 A2	03-04-1991
			EP 0892362 A2	20-01-1999
			ES 2223997 T3	01-03-2005
			ES 2217223 T3	01-11-2004
			ES 2129019 T3	01-06-1999
			ES 2232905 T3	01-06-2005
			JP 3185485 A	13-08-1991
			JP 2003121625 A	23-04-2003
			SG 46291 A1	20-02-1998
			US 6337752 B1	08-01-2002
			US 5801857 A	01-09-1998
			US 2002018430 A1	14-02-2002
WO 03031198	A	17-04-2003	AT 412200 B	25-11-2004
			WO 03031198 A1	17-04-2003
			AT 15792001 A	15-04-2004
			EP 1432591 A1	30-06-2004
WO 02073250	A	19-09-2002	EP 1239307 A1	11-09-2002
			BR 0204461 A	18-03-2003
			CA 2406956 A1	19-09-2002
			CN 1459034 A	26-11-2003
			CZ 20023649 A3	18-06-2003
			EA 5456 B1	24-02-2005
			WO 02073250 A2	19-09-2002
			EP 1366380 A2	03-12-2003
			HU 0302243 A2	28-10-2003
			JP 2004518565 T	24-06-2004
			MX PA02010620 A	14-05-2003
			NO 20025190 A	29-10-2002
			PL 361804 A1	04-10-2004
			US 2003170471 A1	11-09-2003
			ZA 200209088 A	24-03-2004
WO 2004011274	A	05-02-2004	WO 2004011274 A1	05-02-2004
			AU 2002319839 A1	16-02-2004
			BR 0212771 A	13-10-2004
			CA 2494592 A1	05-02-2004
			EP 1525100 A1	27-04-2005
US 4124947	A	14-11-1978	CH 611211 A5	31-05-1979

INTERNATIONAL SEARCH REPORT

International Application No
PCT/CH2004/000541

Patent document cited in search report		Publication date	Patent family member(s)	Publication date
US 4124947	A		CA 1074362 A1	25-03-1980
			DE 2603558 A1	26-05-1977
			FI 763190 A ,B,	15-05-1977
			FR 2331451 A1	10-06-1977
			GB 1569589 A	18-06-1980
			IT 1064204 B	18-02-1985
			NL 7612471 A ,B,	17-05-1977
			SE 432567 B	09-04-1984
			SE 7612612 A	15-05-1977
			CH 617889 A5	30-06-1980
EP 0304194	A	22-02-1989	EP 0304194 A2	22-02-1989
			GB 2208016 A	15-02-1989
US 5142383	A	25-08-1992	US 5044707 A	03-09-1991
			EP 0439092 A2	31-07-1991
			JP 4212984 A	04-08-1992
EP 1091267	A	11-04-2001	JP 2001109361 A	20-04-2001
			EP 1091267 A2	11-04-2001
			US 6706354 B1	16-03-2004