



US00D871547S

(12) **United States Design Patent**  
**Eads**

(10) **Patent No.:** **US D871,547 S**

(45) **Date of Patent:** **\*\* Dec. 31, 2019**

(54) **FAUCET**

(71) Applicant: **DELTA FAUCET COMPANY,**  
Indianapolis, IN (US)

(72) Inventor: **Thad Eads,** Urbana, IN (US)

(73) Assignee: **DELTA FAUCET COMPANY,**  
Indianapolis, IN (US)

(\*\*) Term: **15 Years**

(21) Appl. No.: **29/638,152**

(22) Filed: **Feb. 24, 2018**

(51) **LOC (12) Cl.** ..... **23-01**

(52) **U.S. Cl.**  
USPC ..... **D23/238**

(58) **Field of Classification Search**  
USPC ..... D23/238, 241–243, 255, 257, 213, 226,  
D23/252, 254, 245; D8/307–308  
CPC ..... F16K 31/60; F16K 31/602; F16K 31/605;  
F16K 31/607; E03C 1/0405; E03C  
2001/0415; E03C 1/0412; E03C 1/0409  
See application file for complete search history.

(56) **References Cited**

**U.S. PATENT DOCUMENTS**

D512,767 S \* 12/2005 Ouyoung ..... D23/252  
D516,675 S \* 3/2006 Kakihana ..... D23/241

D517,661 S \* 3/2006 Wolf ..... D23/252  
D534,246 S \* 12/2006 Chu ..... D23/238  
D674,881 S \* 1/2013 Kwok ..... D23/252  
D704,310 S \* 5/2014 Flowers ..... D23/252  
D706,399 S \* 6/2014 Yang ..... D23/252  
D796,640 S \* 9/2017 Dube ..... D23/252  
D810,884 S \* 2/2018 Garland ..... D23/252  
D835,237 S \* 12/2018 Ziemann ..... D23/238  
D840,509 S \* 2/2019 Garland ..... D23/238

\* cited by examiner

*Primary Examiner* — Robert A Delehanty

(74) *Attorney, Agent, or Firm* — Edgar A. Zarins; Nirav D. Parikh

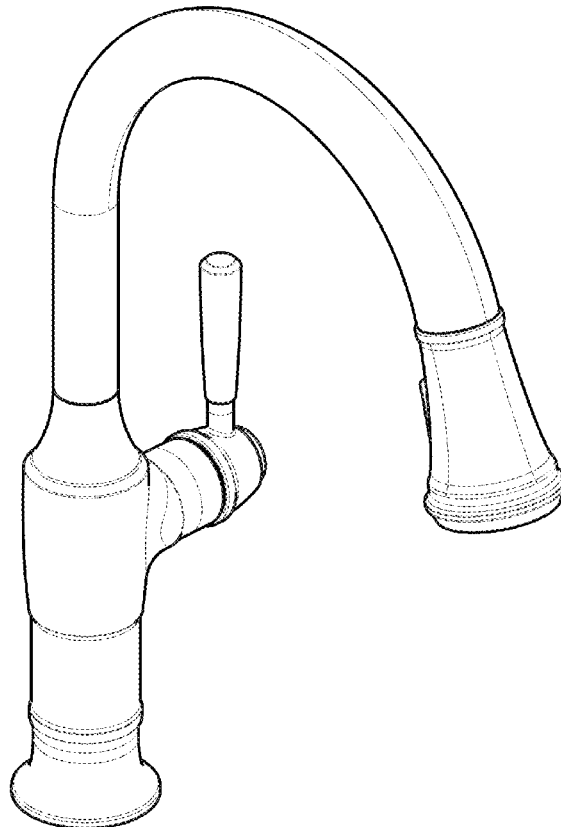
(57) **CLAIM**

The ornamental design for a faucet, as shown and described.

**DESCRIPTION**

FIG. 1 is a front perspective view of a faucet showing my new design;  
FIG. 2 is a rear perspective view thereof;  
FIG. 3 is a front elevational view thereof;  
FIG. 4 is a left side view thereof;  
FIG. 5 is a rear view thereof;  
FIG. 6 is a right side view thereof; and,  
FIG. 7 is a top plan view thereof.

**1 Claim, 4 Drawing Sheets**



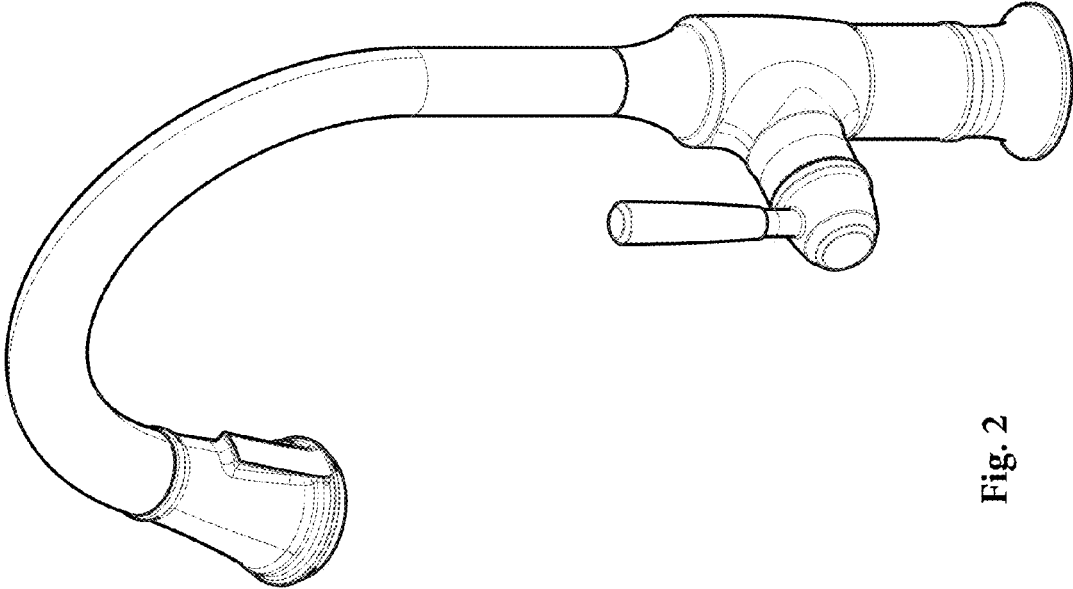


Fig. 2

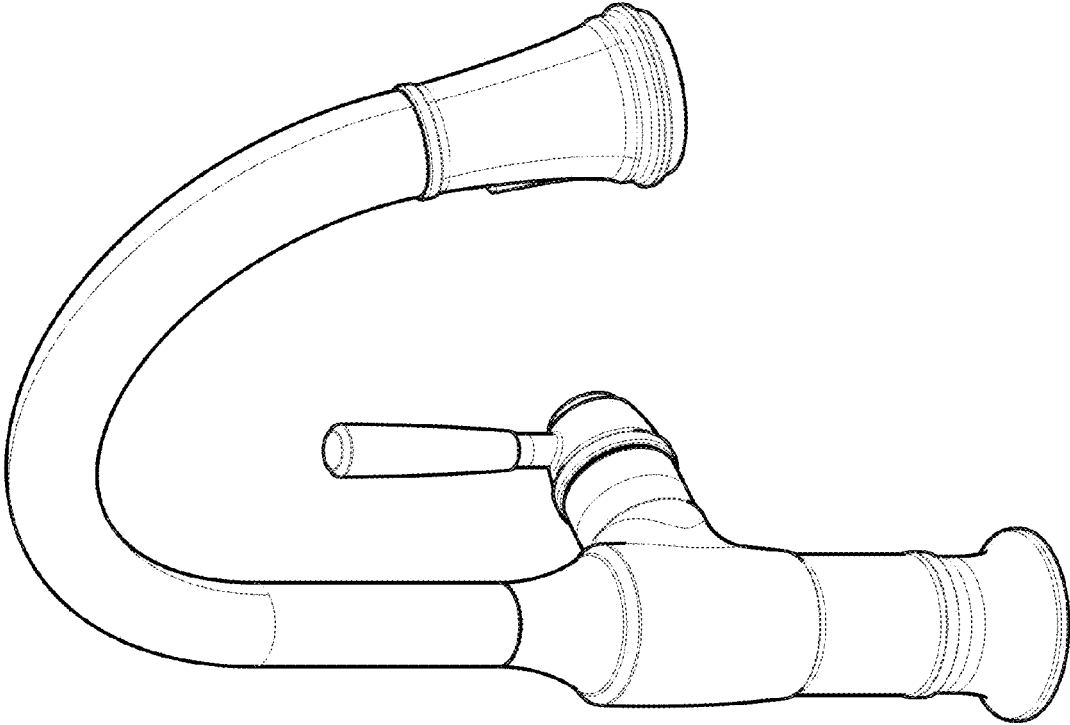


Fig. 1

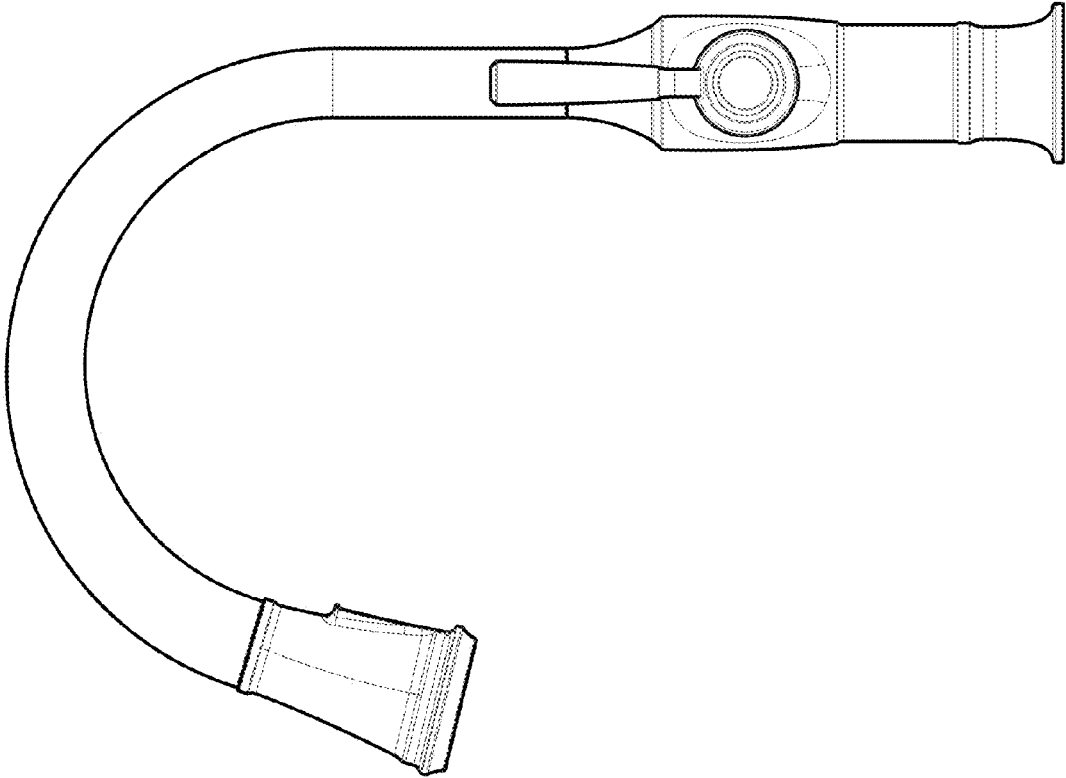


Fig. 4

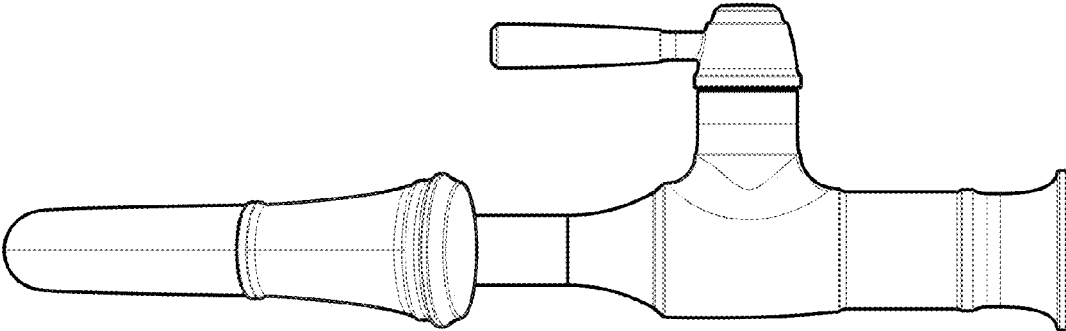


Fig. 3

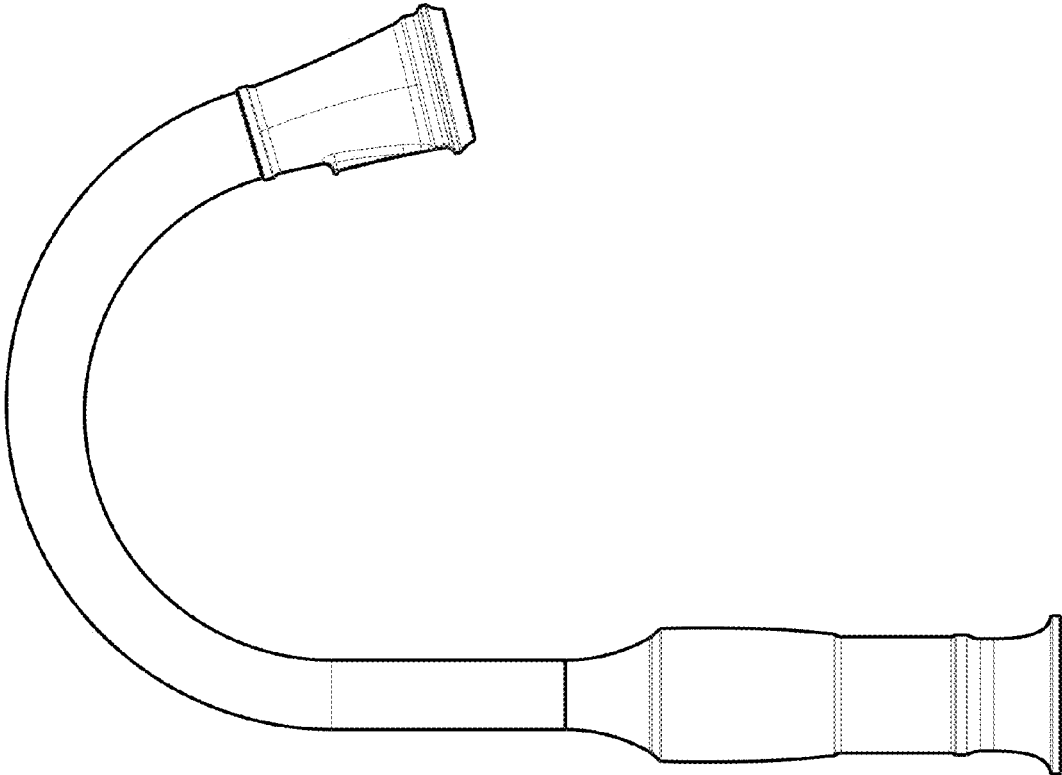


Fig. 6

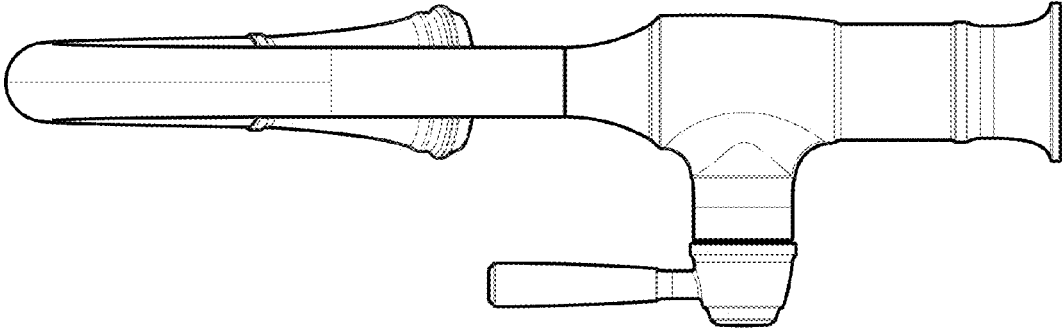


Fig. 5

Fig. 7

